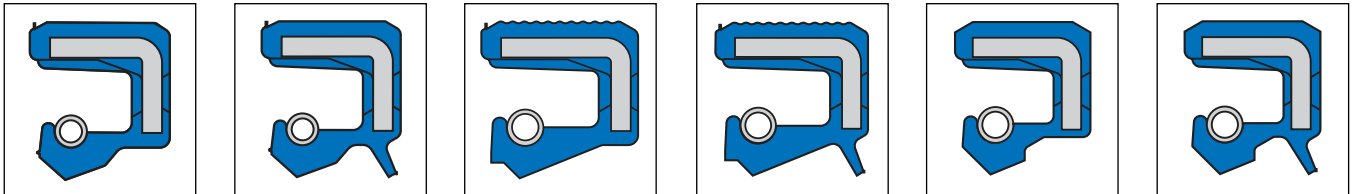
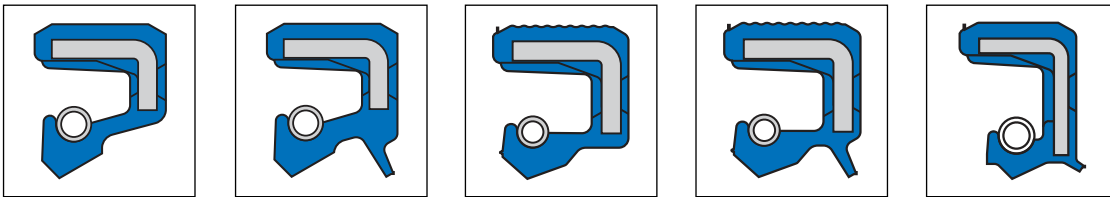


Simmerring® Standard Range

DIN A/AS

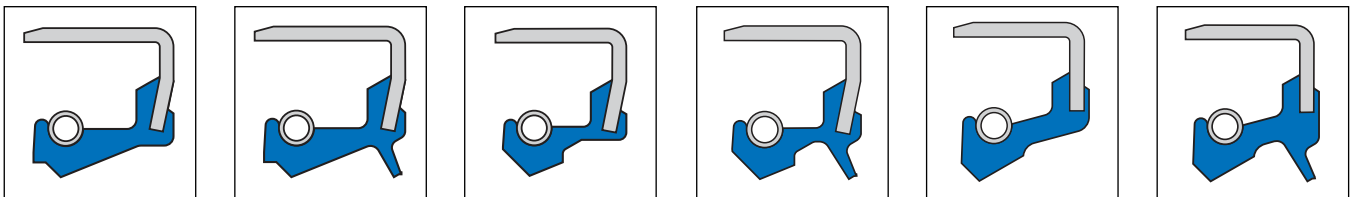


BAUX2 BAUSLX2 BAFUDX7 BAFUDSLX7 BAU BAUSL



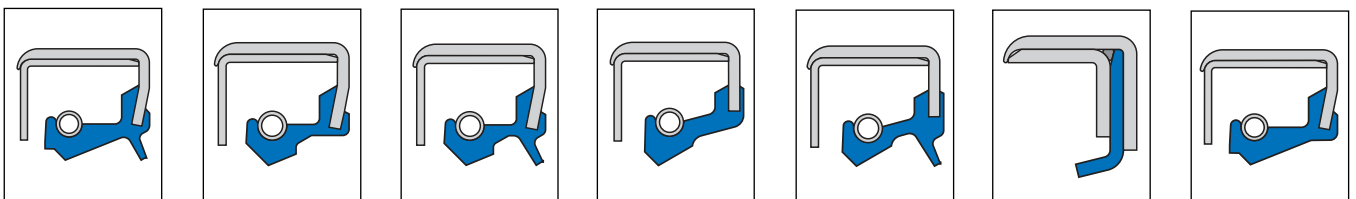
BA BASL BAUMX7 BAUMSLX7 BABSL

DIN B/BS



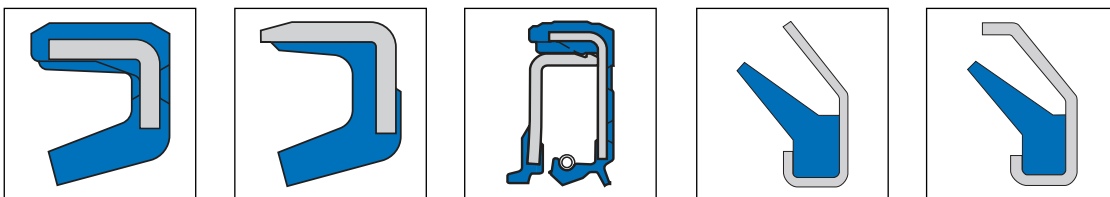
B1FUD B1FUDSL B1U B1USL B1 B1SL

DIN C/CS



B2FUDSL B2U B2USL B2 B2SL B2PT B2FUD

Special Types

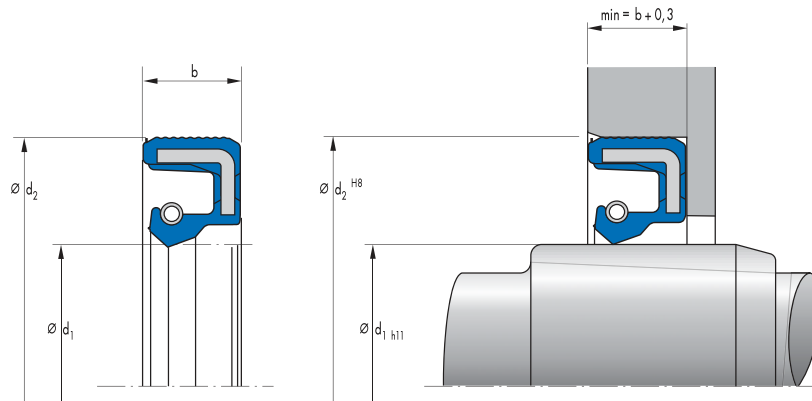


BAOF B1OF MSS 1 MSC 01 MSC 02

Simmerring
Cassette Seals
→ page 253

Simmerring
Combi Seals
→ page 265

Article list

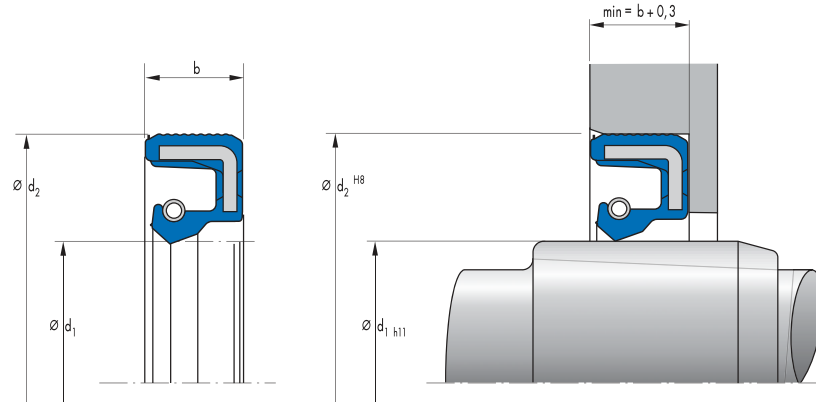


d ₁	d ₂	b	DIN 3761	Outer surface	Pressure	Material	Type	Article No.	
3,00	10,00	6,00	A	smooth	un-pressurised	72 NBR 902	BAOF	6317	●
4,00	12,00	6,00	A	smooth	0,05	72 NBR 902	BA	6325	●
4,00	16,00	7,00	A	smooth	0,05	72 NBR 902	BA	1931	●
5,00	15,00	6,00	A	smooth	0,02	72 NBR 902	BAFUD	405057	●
5,00	16,00	7,00	B	metal	0,05	72 NBR 902	B1U	19267	●
5,00	19,00	5,00	A	smooth	0,05	72 NBR 902	BA	32513	●
5,00	22,00	8,00	A	smooth	0,05	72 NBR 902	BA	6335	●
6,00	16,00	5,00	A	smooth	0,05	72 NBR 902	BA	12019071	●
6,00	16,00	6,00	A	grooved	0,05	75 FKM 585	BAUMX7	406308	●
6,00	16,00	7,00	B	metal	0,05	75 FKM 585	B1	18256	○
6,00	16,00	7,00	B	metal	0,02	72 NBR 902	B1FUD	470997	●
6,00	16,00	7,00	A	smooth	0,05	72 NBR 902	BA	6341	●
6,00	19,00	6,00	A	smooth	0,05	72 NBR 902	BAU	6344	●
6,00	22,00	7,00	AS	smooth	0,02	72 NBR 902	BAFUDSL	12011104	●
6,00	22,00	7,00	A	grooved	0,05	75 FKM 585	BAUMX7	400296	●
6,00	22,00	7,00	A	grooved	0,02	72 NBR 902	BAFUDX7	527276	○
6,00	22,00	7,00	A	grooved	0,02	72 NBR 902	BAFUDX7	6352	●
7,00	16,00	7,00	A	smooth	0,05	75 FKM 595	BAUM	343383	○
7,00	16,00	7,00	A	smooth	0,05	72 NBR 902	BA	6365	●
7,00	16,00	7,00	B	metal	0,05	72 NBR 902	B1	7797	●
7,00	22,00	6,00	A	smooth	0,05	72 NBR 902	BA	6372	●
7,00	22,00	7,00	A	grooved	0,05	75 FKM 585	BAUMX7	412598	●
7,00	22,00	7,00	A	smooth	0,05	72 NBR 902	BA	6374	●
8,00	14,00	6,00	B	metal	un-pressurised	72 NBR 902	B1OF	419913	●
8,00	16,00	7,00	AS	smooth	0,05	72 NBR 902	BASL	409737	●
8,00	16,00	7,00	B	metal	0,02	72 NBR 902	B1FUD	428761	●
8,00	16,00	7,00	A	smooth	0,05	72 NBR 902	BA	7566	●
8,00	18,00	5,00	A	smooth	0,05	72 NBR 902	BA	6397	●
8,00	20,00	6,00	AS	grooved	0,05	75 FKM 585	BAUMSLX7	421497	○
8,00	20,00	8,00	A	smooth	0,05	72 NBR 902	BA	6403	●
8,00	22,00	6,00	AS	smooth	*	75 FKM 595	BABSL	12019990	●
8,00	22,00	6,00	AS	smooth	*	72 NBR 902	BABSL	462581	●
8,00	22,00	6,00	A	smooth	0,05	72 NBR 902	BAU	6405	●
8,00	22,00	7,00	B	metal	0,05	72 NBR 902	B1U	19274	●
8,00	22,00	7,00	A	grooved	0,05	75 FKM 585	BAUMX7	406310	●

● Available from stock ○ On request: Tool is available, delivery at short notice * → Diagram 2, page 18

d ₁	d ₂	b	DIN 3761	Outer surface	Pressure	Material	Type	Article No.	
8,00	22,00	7,00	A	smooth	0,05	72 NBR 902	BA	6412	●
8,00	22,00	8,00	AS	grooved	0,05	75 FKM 585	BAUMSLX7	468755	●
8,00	22,00	8,00	A	smooth	0,05	72 NBR 902	BA	6418	●
8,00	24,00	7,00	B	metal	0,05	72 NBR 902	B1	19276	●
8,00	24,00	7,00	A	grooved	0,05	75 FKM 585	BAUMX7	406311	●
8,00	24,00	7,00	A	smooth	0,05	72 NBR 902	BA	6421	●
8,00	28,00	7,00	B	metal	0,05	72 NBR 902	B1	19277	●
9,00	17,00	4,50	B	metal	0,05	72 NBR 902	B1	19279	●
9,00	18,00	6,00	A	smooth	0,05	75 FKM 585	BAUM	396104	○
9,00	18,00	6,00	A	smooth	0,05	72 NBR 902	BA	6431	●
9,00	19,00	5,00	B	metal	0,05	72 NBR 902	B1U	19280	●
9,00	20,00	6,00	AS	smooth	*	72 NBR 902	BABSL	80489	●
9,00	22,00	7,00	B	metal	0,05	72 NBR 902	B1U	19281	●
9,00	22,00	7,00	A	smooth	0,05	72 NBR 902	BA	6438	●
9,00	24,00	7,00	A	smooth	0,05	72 NBR 902	BAU	6443	●
9,00	26,00	7,00	A	smooth	0,05	72 NBR 902	BA	6445	●
9,50	25,40	8,00	A	smooth	0,05	72 NBR 902	BAU	6454	●
10,00	15,00	3,00	B	metal	un-pressurised	72 NBR 902	B1OF	129573	●
10,00	16,00	4,00	A	smooth	0,02	72 NBR 902	BAFUD	12000016	●
10,00	16,00	4,00	B	metal	un-pressurised	72 NBR 902	B1OF	20247	●
10,00	16,00	4,00	B	metal	0,02	72 NBR 902	B1FUD	477154	●
10,00	18,00	4,00	A	smooth	0,02	72 NBR 902	BAFUD	12000017	●
10,00	18,00	6,00	A	smooth	0,02	72 NBR 902	BAFUD	470999	●
10,00	19,00	7,00	A	grooved	0,05	75 FKM 585	BAUMX7	400287	●
10,00	19,00	7,00	B	metal	0,02	72 NBR 902	B1FUD	428763	●
10,00	19,00	7,00	A	smooth	0,02	72 NBR 902	BAFUD	471001	●
10,00	19,00	7,00	AS	smooth	0,05	72 NBR 902	BASL	6463	●
10,00	20,00	6,00	A	smooth	0,05	72 NBR 902	BA	6467	●
10,00	22,00	6,00	AS	smooth	*	72 NBR 902	BABSL	2891	●
10,00	22,00	6,00	AS	smooth	*	75 FKM 595	BABSL	418583	●
10,00	22,00	7,00	B	metal	0,05	72 NBR 902	B1U	19288	●
10,00	22,00	7,00	A	grooved	0,02	72 NBR 902	BAFUDX7	362172	●
10,00	22,00	7,00	A	grooved	0,05	75 FKM 585	BAUMX7	390099	●
10,00	22,00	7,00	C	metal	up to 1 MPa	PTFE F56101	B2PT	406518	●
10,00	22,00	8,00	C	metal	0,05	72 NBR 902	B2U	22674	●
10,00	22,00	8,00	A	smooth	0,05	72 NBR 902	BA	6485	●
10,00	22,00	8,00	AS	smooth	0,05	72 NBR 902	BASL	6486	●
10,00	24,00	3,50	A	metal	un-pressurised	80 NBR 177458	MSC 01	508511	●
10,00	24,00	3,50	A	metal	un-pressurised	80 FKM 177459	MSC 01	508559	●
10,00	24,00	7,00	B	metal	0,05	72 NBR 902	B1	19290	●
10,00	24,00	7,00	A	grooved	0,05	75 FKM 585	BAUMX7	412571	●
10,00	24,00	7,00	A	smooth	0,05	72 NBR 902	BA	6492	●
10,00	26,00	5,00	AS	grooved	0,05	75 FKM 585	BAUMSLX27	468756	●
10,00	26,00	7,00	B	metal	0,05	72 NBR 902	B1U	19291	●
10,00	26,00	7,00	AS	smooth	0,05	72 NBR 902	BASL	3360	●
10,00	26,00	7,00	A	grooved	0,05	75 FKM 585	BAUMX7	406315	●
10,00	26,00	7,00	A	smooth	0,05	72 NBR 902	BA	6501	●
10,00	28,00	7,00	A	smooth	0,05	72 NBR 902	BAU	6504	●
10,00	30,00	10,00	C	metal	0,05	72 NBR 902	B2U	22844	●
10,00	30,00	10,00	A	smooth	0,05	72 NBR 902	BA	6511	●

● Available from stock ○ On request: Tool is available, delivery at short notice * → Diagram 2, page 18

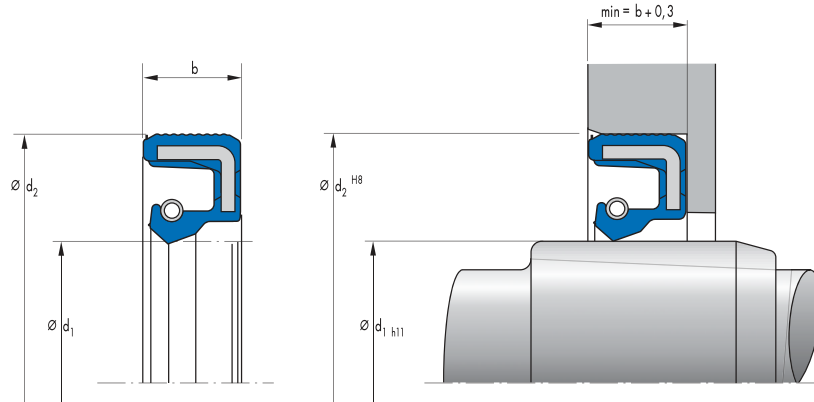


d_1	d_2	b	DIN 3761	Outer surface	Pressure	Material	Type	Article No.	
11,00	17,00	4,00	A	smooth	0,02	72 NBR 902	BAFUD	12010767	●
11,00	17,00	4,00	B	metal	0,05	72 NBR 902	B1	32193	●
11,00	22,00	7,00	AS	smooth	*	72 NBR 902	BABSL	12011513	●
11,00	22,00	7,00	B	metal	0,05	72 NBR 902	B1U	2487	●
11,00	22,00	7,00	A	grooved	0,05	75 FKM 585	BAUMX7	412600	●
11,00	22,00	7,00	A	smooth	0,05	72 NBR 902	BA	6518	●
11,00	26,00	3,50	A	metal	un-pressurised	80 NBR 177458	MSC 01	508512	●
11,00	26,00	3,50	A	metal	un-pressurised	80 FKM 177459	MSC 01	508560	●
11,00	26,00	7,00	AS	grooved	0,05	75 FKM 585	BAUMSLX7	412558	●
11,00	26,00	7,00	A	grooved	0,05	75 FKM 585	BAUMX7	412566	●
11,00	26,00	7,00	A	smooth	0,05	72 NBR 902	BA	6528	●
11,80	28,00	5,00	AS	grooved	0,05	75 FKM 585	BAUMSLX7	49002913	○
12,00	18,00	4,50	BS	metal	0,02	72 NBR 902	B1FUDSL	379715	●
12,00	18,00	5,50	B	metal	un-pressurised	72 NBR 902	B1OF	19578	●
12,00	19,00	5,00	A	smooth	0,05	72 NBR 902	BA	6550	●
12,00	20,00	5,00	B	metal	0,05	72 NBR 902	B1	20296	●
12,00	20,00	6,00	A	grooved	0,05	75 FKM 585	BAUMX7	425209	●
12,00	20,00	6,00	A	grooved	0,05	75 FKM 585	BAUMX7	49036882	●
12,00	20,00	7,00	A	smooth	0,02	72 NBR 902	BAFUD	12010771	●
12,00	22,00	4,00	A	grooved	0,02	72 NBR 902	BAFUDX7	436286	●
12,00	22,00	5,00	A	grooved	0,05	75 FKM 585	BAUMX27	49010681	●
12,00	22,00	6,00	AS	smooth	*	75 FKM 595	BABSL	418598	●
12,00	22,00	6,00	AS	smooth	*	72 NBR 902	BABSL	531222	●
12,00	22,00	6,50	A	smooth	0,05	72 NBR 902	BA	6555	●
12,00	22,00	7,00	B	metal	0,05	72 NBR 902	B1	19299	●
12,00	22,00	7,00	A	grooved	0,05	75 FKM 585	BAUMX7	400278	●
12,00	22,00	7,00	C	metal	up to 1 MPa	PTFE F56101	B2PT	406519	●
12,00	22,00	7,00	AS	grooved	0,05	75 FKM 585	BAUMSLX7	468757	●
12,00	22,00	7,00	A	smooth	0,05	72 NBR 902	BAU	6564	●
12,00	22,00	8,00	C	metal	0,05	72 NBR 902	B2	23494	●
12,00	24,00	6,00	AS	smooth	*	75 FKM 595	BABSL	325246	●
12,00	24,00	6,00	A	grooved	0,05	75 FKM 585	BAUMX7	429608	●
12,00	24,00	6,00	AS	smooth	*	72 NBR 902	BABSL	7100620	●
12,00	24,00	6,50	A	smooth	0,05	72 NBR 902	BA	6572	●
12,00	24,00	7,00	AS	smooth	*	72 NBR 902	BABSL	12011515	●
12,00	24,00	7,00	A	grooved	0,05	75 FKM 585	BAUMX7	406316	●

● Available from stock ○ On request: Tool is available, delivery at short notice * → Diagram 2, page 18

d ₁	d ₂	b	DIN 3761	Outer surface	Pressure	Material	Type	Article No.	
12,00	24,00	7,00	A	smooth	0,05	72 NBR 902	BA	6575	●
12,00	24,00	7,00	B	metal	0,05	72 NBR 902	B1	7809	●
12,00	25,00	5,00	A	smooth	0,05	75 FKM 585	BAUM	378263	●
12,00	25,00	5,00	A	smooth	0,05	72 NBR 902	BAUX2	6582	●
12,00	25,00	6,00	A	smooth	0,05	72 NBR 902	BAU	49016141	●
12,00	25,00	7,00	C	metal	up to 1 MPa	PTFE F56101	B2PT	406523	●
12,00	25,00	8,00	A	smooth	0,05	72 NBR 902	BAU	6590	●
12,00	26,00	3,50	A	metal	un-pressurised	80 NBR 177458	MSC 01	508513	●
12,00	26,00	3,50	A	metal	un-pressurised	80 FKM 177459	MSC 01	508561	●
12,00	26,00	8,00	A	smooth	0,05	72 NBR 902	BAU	6598	●
12,00	28,00	5,00	AS	smooth	0,05	72 NBR 902	BAUSLX2	526251	●
12,00	28,00	7,00	AS	smooth	0,02	72 NBR 902	BAFUDSL	12011106	●
12,00	28,00	7,00	AS	grooved	0,05	75 FKM 585	BAUMSLX7	412560	●
12,00	28,00	7,00	AS	grooved	0,05	75 FKM 585	BAUMSLX7	476909	○
12,00	28,00	7,00	A	smooth	0,05	72 NBR 902	BAUX2	49004096	●
12,00	28,00	7,00	AS	grooved	0,05	75 FKM 585	BAUMSLX7	522775	○
12,00	28,00	7,00	B	metal	0,05	72 NBR 902	B1	7819	●
12,00	30,00	5,00	B	metal	un-pressurised	72 NBR 902	B1OF	8010	●
12,00	30,00	7,00	A	smooth	0,05	72 NBR 902	BA	2669	●
12,00	30,00	7,00	B	metal	0,05	72 NBR 902	B1	2673	●
12,00	30,00	7,00	A	grooved	0,05	75 FKM 585	BAUMX7	412668	●
12,00	30,00	10,00	C	metal	0,05	72 NBR 902	B2	22848	●
12,00	30,00	10,00	A	smooth	0,05	72 NBR 902	BA	6620	●
12,00	30,00	12,00	A	smooth	0,05	72 NBR 902	BA	6629	●
12,00	32,00	5,00	B	metal	0,05	72 NBR 902	B1	19303	●
12,00	32,00	7,00	B	metal	0,05	72 NBR 902	B1	19304	●
12,00	32,00	7,00	A	smooth	0,05	72 NBR 902	BAUX2	49004095	●
12,00	32,00	7,00	A	grooved	0,05	75 FKM 585	BAUMX7	525462	●
12,00	32,00	7,00	AS	smooth	*	72 NBR 902	BABSL	62027	●
12,00	32,00	10,00	C	metal	0,05	72 NBR 902	B2U	22849	●
12,00	32,00	10,00	A	smooth	0,05	72 NBR 902	BA	6633	●
12,00	35,00	10,00	A	smooth	0,05	72 NBR 902	BAU	6635	●
12,70	22,00	6,00	A	smooth	0,05	72 NBR 902	BAU	6637	●
13,00	20,00	4,00	B	metal	0,05	72 NBR 902	B1	23833	●
13,00	22,00	4,00	A	smooth	0,02	72 NBR 902	BAFUD	12010781	●
13,00	22,00	5,00	B	metal	0,05	72 NBR 902	B1	19306	●
13,00	23,00	6,00	A	smooth	0,05	72 NBR 902	BA	6656	●
13,00	25,00	5,00	A	smooth	0,05	72 NBR 902	BA	6658	●
13,00	26,00	7,00	B	metal	0,05	72 NBR 902	B1U	19307	●
13,00	26,00	7,00	A	grooved	0,05	75 FKM 585	BAUMX7	521531	●
13,00	26,00	7,00	A	smooth	0,05	72 NBR 902	BAU	6663	●
13,00	28,00	7,00	AS	smooth	0,05	72 NBR 902	BASL	3367	●
13,00	30,00	8,00	A	smooth	0,05	72 NBR 902	BA	6671	●
13,70	24,00	7,00	AS	smooth	0,05	75 FKM 585	BAUMSL	521313	○
14,00	20,00	5,00	A	smooth	un-pressurised	72 NBR 902	BAOF	6681	●
14,00	22,00	4,00	A	smooth	0,05	72 NBR 902	BA	33554	●
14,00	22,00	4,00	A	smooth	0,05	75 FKM 585	BAUM	378313	○
14,00	23,00	7,00	A	smooth	0,05	75 FKM 585	BAUM	378357	○
14,00	23,00	7,00	A	smooth	0,05	72 NBR 902	BAU	6683	●
14,00	24,00	7,00	A	smooth	0,05	72 NBR 902	BA	12010784	○

● Available from stock ○ On request: Tool is available, delivery at short notice * → Diagram 2, page 18

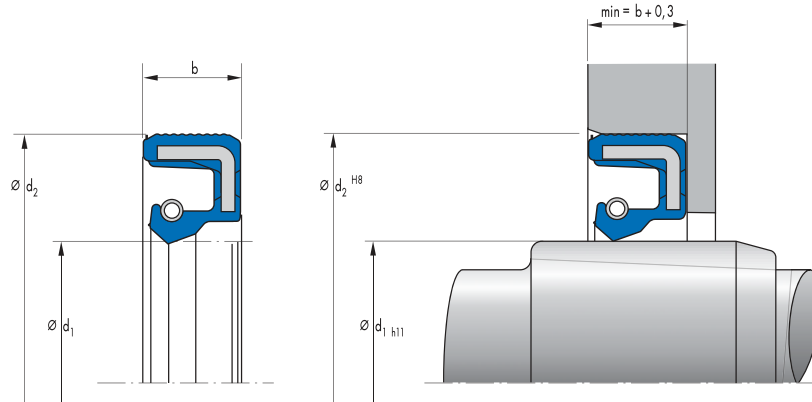


d ₁	d ₂	b	DIN 3761	Outer surface	Pressure	Material	Type	Article No.	
14,00	24,00	7,00	AS	smooth	*	72 NBR 902	BABSL	12011516	●
14,00	24,00	7,00	AS	smooth	*	75 FKM 595	BABSL	12013186	●
14,00	24,00	7,00	A	grooved	0,05	75 FKM 585	BAUMX7	406317	●
14,00	24,00	7,00	AS	grooved	0,05	75 FKM 585	BAUMSLX7	468758	●
14,00	24,00	7,00	A	smooth	0,05	72 NBR 902	BA	531005	●
14,00	24,00	7,00	B	metal	0,05	72 NBR 902	B1	7831	●
14,00	24,00	7,00	AS	smooth	0,05	72 NBR 902	BAUSLX2	86818	○
14,00	25,00	5,00	A	smooth	0,05	72 NBR 902	BA	6694	●
14,00	25,00	7,00	B	metal	0,05	72 NBR 902	B1	21702	●
14,00	26,00	7,00	B	metal	0,05	72 NBR 902	B1	19311	●
14,00	26,00	7,00	A	smooth	0,05	72 NBR 902	BA	6700	●
14,00	28,00	7,00	AS	smooth	0,02	72 NBR 902	BAFUDSL	12011750	●
14,00	28,00	7,00	A	grooved	0,02	72 NBR 902	BAFUDX7	355486	●
14,00	28,00	7,00	AS	grooved	0,05	75 FKM 585	BAUMSLX7	405402	●
14,00	28,00	7,00	B	metal	0,05	72 NBR 902	B1U	7839	●
14,00	30,00	4,00	A	metal	un-pressurised	80 NBR 177458	MSC 01	508514	●
14,00	30,00	4,00	A	metal	un-pressurised	80 FKM 177459	MSC 01	508562	●
14,00	30,00	7,00	B	metal	0,05	72 NBR 902	B1	2680	●
14,00	30,00	7,00	C	metal	up to 1 MPa	PTFE F56101	B2PT	406526	●
14,00	30,00	7,00	A	grooved	0,05	75 FKM 585	BAUMX7	412665	●
14,00	30,00	7,00	A	smooth	0,05	72 NBR 902	BAU	6713	●
14,00	30,00	10,00	C	metal	0,05	72 NBR 902	B2U	22854	●
14,00	30,00	10,00	AS	smooth	0,05	72 NBR 902	BASL	38284	●
14,00	30,00	10,00	A	smooth	0,05	72 NBR 902	BAU	6717	●
14,00	32,00	7,00	B	metal	0,05	72 NBR 902	B1U	19313	●
14,00	32,00	10,00	A	smooth	0,05	72 NBR 902	BA	6723	●
14,00	35,00	7,00	A	smooth	0,05	72 NBR 902	BA	31450	●
14,00	35,00	10,00	A	smooth	0,05	72 NBR 902	BA	6726	●
15,00	24,00	5,00	A	smooth	0,02	72 NBR 902	BAFUD	12010789	●
15,00	24,00	6,00	AS	smooth	0,02	72 NBR 902	BAFUDSL	12011107	●
15,00	24,00	7,00	AS	smooth	0,02	72 NBR 902	BAFUDSL	12000444	●
15,00	24,00	7,00	BS	metal	0,05	72 NBR 902	B1SL	3482	●
15,00	24,00	7,00	A	grooved	0,05	75 FKM 585	BAUMX7	386187	●
15,00	24,00	7,00	A	grooved	0,05	75 FKM 585	BAUMX7	419704	○
15,00	24,00	7,00	B	metal	0,02	72 NBR 902	B1FUD	428760	●
15,00	24,00	7,00	A	smooth	0,05	72 NBR 902	BA	6736	●

● Available from stock ○ On request: Tool is available, delivery at short notice * → Diagram 2, page 18

d ₁	d ₂	b	DIN 3761	Outer surface	Pressure	Material	Type	Article No.	
15,00	25,00	5,00	A	smooth	0,05	75 FKM 585	BAUM	49012993	●
15,00	25,00	5,00	A	smooth	0,05	72 NBR 902	BA	532053	●
15,00	25,00	6,00	AS	smooth	*	72 NBR 902	BABSL	326153	●
15,00	25,00	6,00	AS	smooth	*	75 FKM 595	BABSL	433218	●
15,00	25,00	6,00	A	smooth	0,05	72 NBR 902	BAUSL	49016152	●
15,00	26,00	4,50	B	metal	un-pressurised	72 NBR 902	B1OF	19581	●
15,00	26,00	7,00	A	smooth	0,05	72 NBR 902	BA	12010791	○
15,00	26,00	7,00	A	grooved	0,05	75 FKM 585	BAUMX7	407042	●
15,00	26,00	7,00	AS	grooved	0,05	75 FKM 585	BAUMSLX7	471673	●
15,00	26,00	7,00	A	smooth	0,05	72 NBR 902	BAUX2	49028520	●
15,00	26,00	7,00	A	smooth	0,05	72 NBR 902	BA	6747	○
15,00	26,00	7,00	A	smooth	0,05	72 NBR 902	BAUSL	6749	●
15,00	26,00	7,00	B	metal	0,05	72 NBR 902	B1	7878	●
15,00	28,00	7,00	B	metal	0,02	72 NBR 902	B1FUD	335083	●
15,00	28,00	7,00	A	grooved	0,05	75 FKM 585	BAUMX7	400666	●
15,00	28,00	9,00	A	smooth	0,05	72 NBR 902	BA	6753	●
15,00	30,00	4,00	A	metal	un-pressurised	80 NBR 177458	MSC 01	508515	●
15,00	30,00	4,00	A	metal	un-pressurised	80 FKM 177459	MSC 01	508563	●
15,00	30,00	4,50	A	smooth	0,02	72 NBR 902	BAFUD	12010793	●
15,00	30,00	7,00	AS	smooth	0,02	72 NBR 902	BAFUDSL	12011109	●
15,00	30,00	7,00	AS	smooth	*	72 NBR 902	BABSL	141150	●
15,00	30,00	7,00	B	metal	0,02	72 NBR 902	B1FUD	335085	●
15,00	30,00	7,00	A	grooved	0,05	75 FKM 585	BAUMX7	388063	●
15,00	30,00	7,00	C	metal	up to 1 MPa	PTFE F56101	B2PT	406529	●
15,00	30,00	7,00	A	smooth	0,05	72 NBR 902	BAUX2	478442	●
15,00	30,00	7,00	AS	smooth	*	75 FKM 595	BABSL	523036	●
15,00	30,00	7,00	A	grooved	0,05	75 FKM 585	BAUMX7	528159	○
15,00	30,00	8,00	C	metal	0,05	72 NBR 902	B2	22675	●
15,00	30,00	8,00	B	metal	0,05	72 NBR 902	B1U	24287	●
15,00	30,00	8,00	AS	smooth	0,05	72 NBR 902	BASL	6764	●
15,00	30,00	10,00	BS	metal	0,05	72 NBR 902	B1SL	20254	●
15,00	30,00	10,00	C	metal	0,05	72 NBR 902	B2U	22857	●
15,00	30,00	10,00	A	grooved	0,05	75 FKM 585	BAUMX7	389461	●
15,00	30,00	10,00	A	smooth	0,05	72 NBR 902	BAU	7592	●
15,00	32,00	6,00	A	metal	un-pressurised	80 FKM 177459	MSC 02	508604	●
15,00	32,00	6,00	A	metal	un-pressurised	80 NBR 177458	MSC 02	508628	●
15,00	32,00	7,00	AS	smooth	*	72 NBR 902	BABSL	322185	●
15,00	32,00	7,00	B	metal	0,02	72 NBR 902	B1FUD	335087	●
15,00	32,00	7,00	C	metal	up to 1 MPa	PTFE F56101	B2PT	406530	●
15,00	32,00	7,00	A	grooved	0,05	75 FKM 585	BAUMX7	411516	●
15,00	32,00	7,00	A	smooth	0,02	72 NBR 902	BAFUD	49001626	●
15,00	32,00	10,00	C	metal	0,05	72 NBR 902	B2	22858	●
15,00	32,00	10,00	A	smooth	0,05	72 NBR 902	BAU	6780	●
15,00	35,00	6,00	AS	smooth	*	72 NBR 902	BABSL	2953	●
15,00	35,00	6,00	AS	smooth	*	75 FKM 595	BABSL	346627	●
15,00	35,00	7,00	B	metal	0,05	72 NBR 902	B1U	3098	●
15,00	35,00	7,00	A	grooved	0,02	72 NBR 902	BAFUDX7	355422	●
15,00	35,00	7,00	A	grooved	0,05	75 FKM 585	BAUMX7	411517	●
15,00	35,00	7,00	BS	metal	0,02	72 NBR 902	B1FUDSL	436749	●
15,00	35,00	7,00	AS	smooth	0,05	75 FKM 585	BAUMSL	466955	○

● Available from stock ○ On request: Tool is available, delivery at short notice * → Diagram 2, page 18

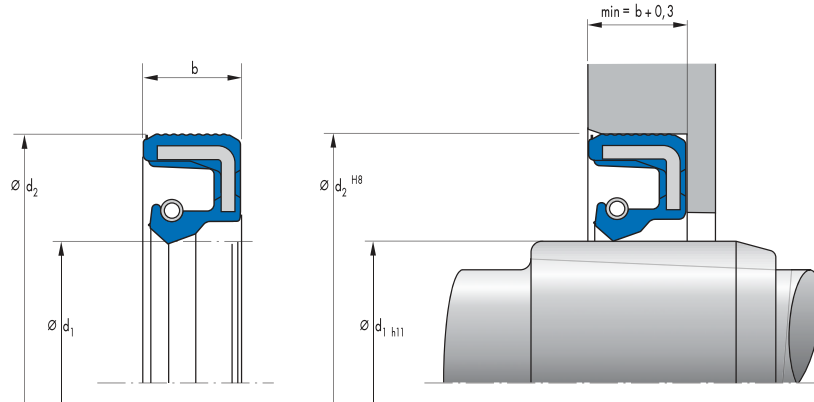


d ₁	d ₂	b	DIN 3761	Outer surface	Pressure	Material	Type	Article No.	
15,00	35,00	7,00	AS	smooth	0,05	72 NBR 902	BAUSLX2	49016894	●
15,00	35,00	7,00	A	smooth	0,05	72 NBR 902	BAUX2	49032758	●
15,00	35,00	7,00	A	smooth	0,05	72 NBR 902	BAU	6784	●
15,00	35,00	8,00	A	smooth	0,05	72 NBR 902	BA	7595	●
15,00	35,00	10,00	C	metal	0,05	72 NBR 902	B2	22677	●
15,00	35,00	10,00	A	smooth	0,05	72 NBR 902	BA	6795	●
15,00	35,00	10,00	AS	smooth	0,05	72 NBR 902	BASL	6796	●
15,00	35,00	10,00	B	metal	0,05	72 NBR 902	B1U	8014	●
15,00	37,00	10,00	A	smooth	0,05	72 NBR 902	BAU	459238	○
15,00	37,00	10,00	B	metal	0,05	72 NBR 902	B1	8017	●
15,00	40,00	7,00	A	smooth	0,05	75 FKM 585	BAUM	522177	●
15,00	40,00	7,00	A	smooth	0,05	72 NBR 902	BAUX2	522178	●
15,00	40,00	10,00	C	metal	0,05	72 NBR 902	B2U	22859	●
15,00	40,00	10,00	A	smooth	0,05	72 NBR 902	BA	6802	●
15,00	42,00	7,00	A	grooved	0,05	72 NBR 902	BAUX27	451922	●
15,00	42,00	7,00	A	grooved	0,05	75 FKM 585	BAUMX7	49001673	●
15,00	42,00	10,00	C	metal	0,05	72 NBR 902	B2	22860	○
15,00	42,00	10,00	C	metal	0,02	72 NBR 902	B2FUD	422249	●
15,00	42,00	10,00	A	smooth	0,05	75 FKM 585	BAUM	49015432	●
15,00	42,00	10,00	A	smooth	0,05	72 NBR 902	BAU	6805	●
16,00	22,00	4,00	B	metal	un-pressurised	72 NBR 902	B1OF	19584	●
16,00	24,00	4,00	A	smooth	0,02	72 NBR 902	BAFUD	12010799	●
16,00	24,00	4,00	B	metal	un-pressurised	72 NBR 902	B1OF	23770	●
16,00	24,00	5,00	A	smooth	0,02	72 NBR 902	BAFUD	12010800	●
16,00	24,00	6,00	B	metal	0,05	72 NBR 902	B1	20397	●
16,00	24,00	7,00	A	smooth	0,02	72 NBR 902	BAFUD	12010801	●
16,00	24,00	7,00	B	metal	un-pressurised	72 NBR 902	B1OF	19585	●
16,00	24,00	7,00	B	metal	0,05	72 NBR 902	B1	22979	●
16,00	26,00	7,00	B	metal	0,05	72 NBR 902	B1	19325	●
16,00	26,00	7,00	A	smooth	0,05	72 NBR 902	BA	33708	●
16,00	26,00	7,00	AS	smooth	*	72 NBR 902	BABSL	462890	●
16,00	26,00	7,00	B	metal	0,05	72 NBR 902	B1USL	49001664	●
16,00	26,00	7,00	A	smooth	0,05	72 NBR 902	BA	49002635	○
16,00	28,00	7,00	B	metal	0,02	72 NBR 902	B1FUD	335088	●
16,00	28,00	7,00	AS	grooved	0,02	72 NBR 902	BAFUDSLX7	335565	●
16,00	28,00	7,00	A	grooved	0,05	75 FKM 585	BAUMX7	389802	●

● Available from stock ○ On request: Tool is available, delivery at short notice * → Diagram 2, page 18

d ₁	d ₂	b	DIN 3761	Outer surface	Pressure	Material	Type	Article No.	
16,00	28,00	7,00	AS	smooth	0,05	75 FKM 585	BAUMSL	411947	○
16,00	28,00	7,00	A	smooth	0,02	72 NBR 902	BAFUD	49001630	●
16,00	28,00	7,00	AS	smooth	0,05	72 NBR 902	BAUSLX2	49013602	●
16,00	30,00	6,00	B	metal	0,02	72 NBR 902	B1FUD	355469	●
16,00	30,00	7,00	B	metal	0,05	72 NBR 902	B1	19328	●
16,00	30,00	7,00	A	grooved	0,05	75 FKM 585	BAUMX7	386013	●
16,00	30,00	7,00	A	smooth	0,05	72 NBR 902	BAU	6829	●
16,00	30,00	10,00	B	metal	0,05	72 NBR 902	B1	19686	●
16,00	30,00	10,00	C	metal	0,05	72 NBR 902	B2U	22679	●
16,00	30,00	10,00	AS	grooved	0,05	75 FKM 585	BAUMSLX7	468759	●
16,00	30,00	10,00	A	smooth	0,05	72 NBR 902	BAU	6839	●
16,00	32,00	4,00	A	metal	un-pressurised	80 NBR 177458	MSC 01	508516	●
16,00	32,00	4,00	A	metal	un-pressurised	80 FKM 177459	MSC 01	508564	●
16,00	32,00	7,00	B	metal	0,05	72 NBR 902	B1U	11420	●
16,00	32,00	7,00	A	smooth	0,05	72 NBR 902	BA	13972	○
16,00	32,00	7,00	AS	grooved	0,05	75 FKM 585	BAUMSLX7	405810	●
16,00	32,00	7,00	A	smooth	0,05	72 NBR 902	BAUX2	525282	●
16,00	32,00	10,00	C	metal	0,05	72 NBR 902	B2U	22861	●
16,00	32,00	10,00	A	smooth	0,05	72 NBR 902	BAU	6845	●
16,00	35,00	7,00	A	smooth	0,05	72 NBR 902	BA	2746	●
16,00	35,00	7,00	B	metal	0,05	72 NBR 902	B1	2748	●
16,00	35,00	7,00	AS	grooved	0,05	75 FKM 585	BAUMSLX7	404317	●
16,00	35,00	7,00	C	metal	up to 1 MPa	PTFE F56101	B2PT	406531	●
16,00	35,00	9,00	AS	smooth	0,05	72 NBR 902	BASL	6847	○
16,00	35,00	10,00	C	metal	0,05	72 NBR 902	B2	22680	●
16,00	35,00	10,00	B	metal	0,02	72 NBR 902	B1FUD	458568	●
16,00	35,00	10,00	A	smooth	0,05	72 NBR 902	BA	6851	●
16,00	40,00	10,00	C	metal	0,05	72 NBR 902	B2	22863	●
16,00	40,00	10,00	AS	smooth	*	75 FKM 595	BABSL	423803	●
16,00	40,00	10,00	A	smooth	0,05	72 NBR 902	BAU	6857	●
16,00	47,00	7,00	A	grooved	0,05	72 NBR 902	BAUX27	451923	●
17,00	25,00	4,00	A	smooth	0,02	72 NBR 902	BAFUD	12010806	●
17,00	25,00	4,50	A	smooth	0,05	75 FKM 585	BAUM	49016724	●
17,00	26,00	6,00	A	smooth	0,05	72 NBR 902	BA	7616	●
17,00	28,00	6,00	B	metal	0,05	72 NBR 902	B1	19330	●
17,00	28,00	6,00	A	smooth	0,02	72 NBR 902	BAFUD	532597	●
17,00	28,00	7,00	B	metal	0,05	72 NBR 902	B1USL	20066	●
17,00	28,00	7,00	B	metal	0,02	72 NBR 902	B1FUD	335089	●
17,00	28,00	7,00	A	grooved	0,05	75 FKM 585	BAUMX7	398038	●
17,00	28,00	7,00	AS	smooth	0,05	72 NBR 902	BAUSLX2	49001668	●
17,00	28,00	7,00	A	smooth	0,05	72 NBR 902	BAUX2	49023151	●
17,00	28,00	7,00	AS	grooved	0,05	75 FKM 585	BAUMSLX7	520222	●
17,00	28,00	7,00	A	smooth	0,05	72 NBR 902	BA	6870	○
17,00	30,00	6,00	AS	smooth	*	75 FKM 595	BABSL	12013032	●
17,00	30,00	6,00	AS	smooth	*	72 NBR 902	BABSL	12015495	●
17,00	30,00	7,00	B	metal	0,02	72 NBR 902	B1FUD	334378	●
17,00	30,00	7,00	AS	smooth	0,05	72 NBR 902	BASL	384327	○
17,00	30,00	7,00	A	grooved	0,05	75 FKM 585	BAUMX7	399045	●
17,00	30,00	7,00	A	smooth	0,05	72 NBR 902	BAUX2	507567	●
17,00	30,00	7,00	AS	smooth	0,05	72 NBR 902	BASL	6878	●

● Available from stock ○ On request: Tool is available, delivery at short notice * → Diagram 2, page 18

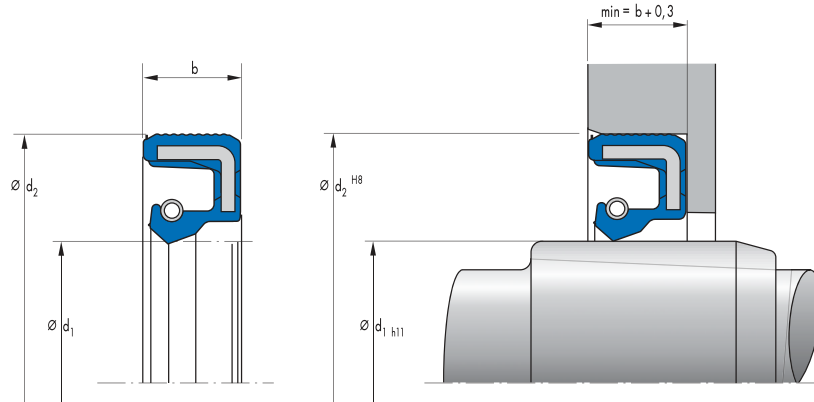


d ₁	d ₂	b	DIN 3761	Outer surface	Pressure	Material	Type	Article No.	
17,00	30,00	10,00	B	metal	0,05	72 NBR 902	B1U	19334	●
17,00	32,00	4,00	A	metal	un-pressurised	80 NBR 177458	MSC 01	508517	●
17,00	32,00	4,00	A	metal	un-pressurised	80 FKM 177459	MSC 01	508565	●
17,00	32,00	7,00	AS	smooth	0,05	72 NBR 902	BASL	2184	●
17,00	32,00	7,00	B	metal	0,05	72 NBR 902	B1U	2749	●
17,00	32,00	7,00	A	grooved	0,02	72 NBR 902	BAFUDX7	355628	●
17,00	32,00	7,00	AS	grooved	0,05	75 FKM 585	BAUMSLX7	405409	●
17,00	32,00	7,00	A	grooved	0,05	75 FKM 585	BAUMX7	407043	●
17,00	32,00	10,00	C	metal	0,05	72 NBR 902	B2	22681	●
17,00	32,00	10,00	A	smooth	0,05	72 NBR 902	BA	6884	●
17,00	33,00	9,00	AS	smooth	0,05	72 NBR 902	BASL	31254	●
17,00	34,00	4,00	B	metal	0,05	72 NBR 902	B1	7893	●
17,00	34,00	6,00	A	metal	un-pressurised	80 FKM 177459	MSC 02	508605	●
17,00	34,00	6,00	A	metal	un-pressurised	80 NBR 177458	MSC 02	508629	●
17,00	35,00	7,00	AS	smooth	*	72 NBR 902	BABSL	12011728	●
17,00	35,00	7,00	B	metal	0,02	72 NBR 902	B1FUD	334937	●
17,00	35,00	7,00	AS	grooved	0,05	75 FKM 585	BAUMSLX7	405803	●
17,00	35,00	7,00	C	metal	up to 1 MPa	PTFE F56101	B2PT	406532	●
17,00	35,00	7,00	A	smooth	0,05	72 NBR 902	BAUX2	478759	●
17,00	35,00	7,00	AS	smooth	0,05	72 NBR 902	BAUSLX2	524144	●
17,00	35,00	8,00	C	metal	0,02	72 NBR 902	B2FUD	334907	●
17,00	35,00	8,00	B	metal	0,02	72 NBR 902	B1FUD	334938	●
17,00	35,00	8,00	A	smooth	0,05	72 NBR 902	BAU	6893	○
17,00	35,00	10,00	C	metal	0,02	72 NBR 902	B2FUD	334908	●
17,00	35,00	10,00	B	metal	0,02	72 NBR 902	B1FUD	335091	●
17,00	35,00	10,00	AS	smooth	0,05	72 NBR 902	BASL	6898	●
17,00	35,00	10,00	A	smooth	0,05	72 NBR 902	BA	6899	●
17,00	37,00	7,00	AS	smooth	0,05	72 NBR 902	BASL	392791	●
17,00	37,00	7,00	A	smooth	0,05	72 NBR 902	BA	6904	●
17,00	40,00	7,00	A	grooved	0,05	75 FKM 585	BAUMX7	400677	●
17,00	40,00	7,00	A	smooth	0,05	72 NBR 902	BAUX2	478443	●
17,00	40,00	7,00	AS	grooved	0,05	75 FKM 585	BAUMSLX7	524290	●
17,00	40,00	7,00	AS	smooth	0,05	72 NBR 902	BAUSLX2	524509	●
17,00	40,00	7,00	B	metal	0,05	72 NBR 902	B1U	8019	●
17,00	40,00	8,50	A	smooth	0,02	72 NBR 902	BAFUD	12010814	●
17,00	40,00	10,00	B	metal	0,05	72 NBR 902	B1U	19692	●

● Available from stock ○ On request: Tool is available, delivery at short notice * → Diagram 2, page 18

d ₁	d ₂	b	DIN 3761	Outer surface	Pressure	Material	Type	Article No.	
17,00	40,00	10,00	C	metal	0,05	72 NBR 902	B2	22865	●
17,00	40,00	10,00	A	smooth	0,05	72 NBR 902	BAU	7653	●
17,00	47,00	7,00	A	grooved	0,02	72 NBR 902	BAUX7	356743	●
17,00	47,00	7,00	A	grooved	0,05	75 FKM 585	BAUMX7	524508	●
17,00	47,00	10,00	C	metal	0,05	72 NBR 902	B2	22866	●
17,00	47,00	10,00	A	smooth	0,05	72 NBR 902	BAU	6924	●
17,50	28,00	6,00	A	smooth	0,02	72 NBR 902	BAFUD	12000066	●
18,00	24,00	4,00	B	metal	0,05	72 NBR 902	B1	11350	●
18,00	28,00	7,00	A	smooth	0,05	72 NBR 902	BA	128888	○
18,00	28,00	7,00	B	metal	0,05	72 NBR 902	B1U	20888	●
18,00	28,00	7,00	A	grooved	0,02	72 NBR 902	BAFUDX7	355487	●
18,00	28,00	7,00	A	grooved	0,05	75 FKM 585	BAUMX7	411518	●
18,00	28,00	7,00	A	grooved	0,05	75 FKM 585	BAUMX7	49002248	○
18,00	30,00	6,00	AS	smooth	*	75 FKM 595	BABSL	116021	●
18,00	30,00	6,00	AS	smooth	*	72 NBR 902	BABSL	478785	●
18,00	30,00	7,00	AS	smooth	*	72 NBR 902	BABSL	12011517	●
18,00	30,00	7,00	AS	grooved	0,02	72 NBR 902	BAFUDSLX7	334286	●
18,00	30,00	7,00	B	metal	0,02	72 NBR 902	B1FUD	335092	●
18,00	30,00	7,00	BS	metal	0,05	72 NBR 902	B1SL	361194	●
18,00	30,00	7,00	A	grooved	0,05	75 FKM 585	BAUMX7	399819	●
18,00	30,00	7,00	A	smooth	0,05	72 NBR 902	BA	7664	●
18,00	32,00	6,00	AS	smooth	*	72 NBR 902	BABSL	12001667	●
18,00	32,00	7,00	B	metal	0,05	72 NBR 902	B1	19345	●
18,00	32,00	7,00	A	smooth	0,05	72 NBR 902	BAU	2751	●
18,00	32,00	7,00	A	grooved	0,05	75 FKM 585	BAUMX7	403077	●
18,00	32,00	7,00	C	metal	up to 1 MPa	PTFE F56101	B2PT	406533	●
18,00	32,00	8,00	AS	smooth	0,05	72 NBR 902	BASL	6959	●
18,00	33,00	4,00	A	metal	un-pressurised	80 NBR 177458	MSC 01	508518	●
18,00	33,00	4,00	A	metal	un-pressurised	80 FKM 177459	MSC 01	508566	●
18,00	35,00	6,00	AS	smooth	*	72 NBR 902	BABSL	2957	●
18,00	35,00	6,00	AS	smooth	*	75 FKM 595	BABSL	49009018	●
18,00	35,00	7,00	B	metal	0,05	72 NBR 902	B1U	2488	●
18,00	35,00	7,00	A	smooth	0,05	72 NBR 902	BA	2752	●
18,00	35,00	7,00	A	grooved	0,05	75 FKM 585	BAUMX7	399825	●
18,00	35,00	7,00	AS	grooved	0,05	75 FKM 585	BAUMSLX27	405796	●
18,00	35,00	7,00	AS	grooved	0,05	72 NBR 902	BAUSLX27	451667	●
18,00	35,00	7,00	AS	grooved	0,05	75 FKM 585	BAUMSLX7	533071	●
18,00	35,00	8,00	C	metal	0,05	72 NBR 902	B2U	22686	●
18,00	35,00	8,00	A	smooth	0,05	72 NBR 902	BA	6967	●
18,00	35,00	10,00	C	metal	0,05	72 NBR 902	B2	22867	●
18,00	35,00	10,00	A	smooth	0,05	72 NBR 902	BAUSL	6978	●
18,00	35,00	10,00	A	smooth	0,05	72 NBR 902	BA	6979	●
18,00	35,00	10,00	A	smooth	0,05	72 NBR 902	BA	6980	○
18,00	37,00	10,00	A	smooth	0,05	72 NBR 902	BA	6984	●
18,00	40,00	7,00	A	smooth	0,05	72 NBR 902	BA	9588	●
18,00	40,00	10,00	C	metal	0,05	72 NBR 902	B2	23516	○
18,00	40,00	10,00	A	smooth	0,05	72 NBR 902	BA	6989	●
18,00	47,00	10,00	AS	smooth	0,05	72 NBR 902	BAUSLX2	520530	●
19,00	27,00	6,00	B	metal	0,05	72 NBR 902	B1U	23774	●
19,00	27,00	6,00	A	smooth	0,05	72 NBR 902	BAU	6994	●

● Available from stock ○ On request: Tool is available, delivery at short notice * → Diagram 2, page 18

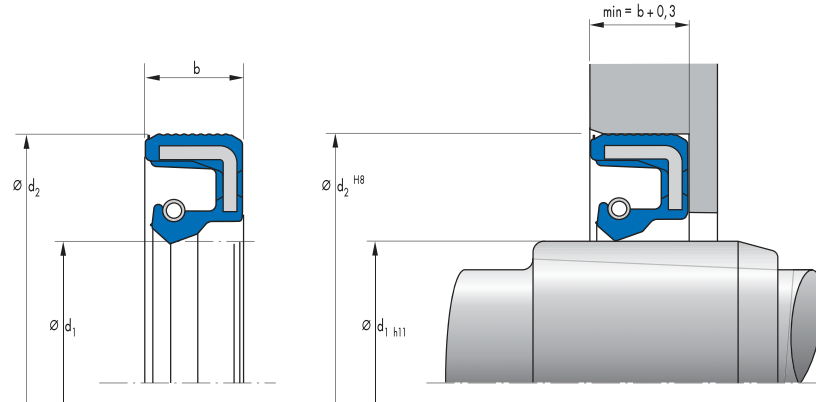


d ₁	d ₂	b	DIN 3761	Outer surface	Pressure	Material	Type	Article No.	
19,00	30,00	7,00	A	grooved	0,02	72 NBR 902	BAFUDX7	355620	●
19,00	32,00	7,00	B	metal	0,05	72 NBR 902	B1	19346	●
19,00	32,00	7,00	A	smooth	0,05	72 NBR 902	BAU	49002842	●
19,00	35,00	6,00	AS	smooth	*	75 FKM 595	BABSL	466758	●
19,00	35,00	9,00	AS	smooth	0,05	72 NBR 902	BASL	7003	●
19,00	35,00	10,00	C	metal	0,05	72 NBR 902	B2	22870	●
19,00	35,00	10,00	A	smooth	0,05	72 NBR 902	BA	7008	●
19,00	40,00	10,00	A	smooth	0,05	72 NBR 902	BA	7015	●
19,00	47,00	10,00	C	metal	0,05	72 NBR 902	B2	22872	○
19,05	31,75	6,35	AS	smooth	*	72 NBR 902	BABSL	311089	●
19,05	31,75	6,35	A	smooth	0,05	72 NBR 902	BA	7022	●
19,05	38,10	9,50	C	metal	0,05	72 NBR 902	B2	22874	●
20,00	28,00	6,00	B	metal	0,05	72 NBR 902	B1	383388	●
20,00	28,00	6,00	B	metal	0,05	72 NBR 902	B1U	520585	●
20,00	28,00	6,00	A	smooth	0,02	72 NBR 902	BAFUD	532598	●
20,00	30,00	5,00	B	metal	0,02	72 NBR 902	B1FUD	334376	●
20,00	30,00	5,00	A	grooved	0,05	75 FKM 585	BAUMX27	49024463	●
20,00	30,00	5,00	A	smooth	0,05	72 NBR 902	BAUX2	49033332	●
20,00	30,00	5,00	AS	grooved	0,05	75 FKM 585	BAUMSLX27	521225	●
20,00	30,00	5,00	A	smooth	0,05	72 NBR 902	BAUX2	524143	●
20,00	30,00	7,00	AS	smooth	*	72 NBR 902	BABSL	12020180	●
20,00	30,00	7,00	B	metal	0,05	75 FKM 595	B1U	329248	○
20,00	30,00	7,00	BS	metal	0,02	72 NBR 902	B1FUDSL	335093	●
20,00	30,00	7,00	B	metal	0,02	72 NBR 902	B1FUD	355461	○
20,00	30,00	7,00	A	grooved	0,05	75 FKM 585	BAUMX7	399790	●
20,00	30,00	7,00	C	metal	up to 1 MPa	PTFE F56101	B2PT	406536	●
20,00	30,00	7,00	A	smooth	0,05	72 NBR 902	BAUX2	478758	●
20,00	30,00	7,00	AS	smooth	0,05	72 NBR 902	BAUSLX2	524648	●
20,00	32,00	6,00	AS	smooth	*	75 FKM 595	BABSL	520073	●
20,00	32,00	7,00	AS	grooved	0,02	72 NBR 902	BAFUDSLX7	334813	●
20,00	32,00	7,00	A	grooved	0,05	75 FKM 585	BAUMX7	399787	●
20,00	32,00	7,00	C	metal	up to 1 MPa	PTFE F56101	B2PT	406537	●
20,00	32,00	7,00	AS	grooved	0,05	75 FKM 585	BAUMSLX7	466633	●
20,00	32,00	7,00	AS	smooth	*	72 NBR 902	BABSL	49017151	●
20,00	32,00	7,00	A	smooth	0,02	72 NBR 902	BAFUD	532599	●
20,00	32,00	7,00	B	metal	0,05	72 NBR 902	B1U	7919	●

● Available from stock ○ On request: Tool is available, delivery at short notice * → Diagram 2, page 18

d ₁	d ₂	b	DIN 3761	Outer surface	Pressure	Material	Type	Article No.	
20,00	33,00	10,00	A	smooth	0,05	72 NBR 902	BAU	7071	●
20,00	35,00	4,00	A	metal	un-pressurised	80 NBR 177458	MSC 01	508519	●
20,00	35,00	4,00	A	metal	un-pressurised	80 FKM 177459	MSC 01	508567	●
20,00	35,00	6,00	AS	smooth	*	72 NBR 902	BABSL	2959	●
20,00	35,00	6,00	A	grooved	0,02	72 NBR 902	BAFUDX7	334287	●
20,00	35,00	6,00	AS	smooth	*	75 FKM 595	BABSL	468087	○
20,00	35,00	6,00	AS	smooth	*	75 FKM 595	BABSL	49030261	●
20,00	35,00	7,00	BS	metal	0,05	72 NBR 902	B1SL	150731	●
20,00	35,00	7,00	A	grooved	0,05	75 FKM 585	BAUMX7	388022	●
20,00	35,00	7,00	C	metal	up to 1 MPa	PTFE F56101	B2PT	406538	●
20,00	35,00	7,00	A	grooved	0,05	75 FKM 585	BAUMX7	439221	○
20,00	35,00	7,00	A	smooth	0,05	72 NBR 902	BAUX2	478761	●
20,00	35,00	7,00	AS	smooth	0,05	72 NBR 902	BAUSLX2	478764	●
20,00	35,00	7,00	AS	grooved	0,05	75 FKM 585	BAUMSLX7	521004	●
20,00	35,00	7,00	B	metal	0,02	72 NBR 902	B1FUD	532628	●
20,00	35,00	8,00	A	smooth	0,05	72 NBR 902	BAU	7081	●
20,00	35,00	10,00	B	metal	0,05	72 NBR 902	B1U	19698	●
20,00	35,00	10,00	B	metal	0,05	72 NBR 902	B1USL	20070	●
20,00	35,00	10,00	C	metal	0,05	72 NBR 902	B2U	22689	●
20,00	35,00	10,00	A	smooth	0,05	72 NBR 902	BAUX2	49018325	●
20,00	35,00	10,00	A	smooth	0,05	72 NBR 902	BAUSL	7095	●
20,00	36,00	7,00	A	grooved	0,05	75 FKM 585	BAUMX7	478616	●
20,00	36,00	7,00	A	smooth	0,05	72 NBR 902	BAUX2	49007343	●
20,00	37,00	6,00	B	metal	0,05	72 NBR 902	B1	19360	●
20,00	37,00	6,00	A	metal	un-pressurised	80 FKM 177459	MSC 02	508606	●
20,00	37,00	6,00	A	metal	un-pressurised	80 NBR 177458	MSC 02	508630	●
20,00	37,00	6,00	A	grooved	0,05	75 FKM 585	BAUMX7	524289	●
20,00	37,00	6,00	AS	grooved	0,05	75 FKM 585	BAUMSLX7	524329	●
20,00	37,00	10,00	C	metal	0,05	72 NBR 902	B2	22875	●
20,00	37,00	10,00	A	smooth	0,05	72 NBR 902	BAU	7110	●
20,00	38,00	8,00	A	smooth	0,05	72 NBR 902	BA	7112	●
20,00	40,00	6,00	A	smooth	0,05	72 NBR 902	BA	7714	●
20,00	40,00	7,00	B	metal	0,05	72 NBR 902	B1	19362	●
20,00	40,00	7,00	B	metal	0,05	72 NBR 902	B1	19363	●
20,00	40,00	7,00	A	grooved	0,02	72 NBR 902	BAFUDX7	344888	●
20,00	40,00	7,00	BS	metal	0,05	72 NBR 902	B1SL	34892	●
20,00	40,00	7,00	A	grooved	0,05	75 FKM 585	BAUMX7	397819	●
20,00	40,00	7,00	C	metal	up to 1 MPa	PTFE F56101	B2PT	406539	●
20,00	40,00	7,00	AS	smooth	*	75 FKM 595	BABSL	432903	●
20,00	40,00	7,00	AS	smooth	*	72 NBR 902	BABSL	49001289	●
20,00	40,00	7,00	A	smooth	0,05	72 NBR 902	BAUX2	529398	●
20,00	40,00	7,00	A	smooth	0,05	72 NBR 902	BA	7718	○
20,00	40,00	7,00	AS	smooth	0,05	72 NBR 902	BASL	7721	●
20,00	40,00	8,00	A	smooth	0,05	72 NBR 902	BA	7124	●
20,00	40,00	10,00	A	smooth	0,05	72 NBR 902	BA	11604	●
20,00	40,00	10,00	B	metal	0,05	72 NBR 902	B1	19699	●
20,00	40,00	10,00	B	metal	0,05	72 NBR 902	B1USL	20071	●
20,00	40,00	10,00	C	metal	0,05	72 NBR 902	B2U	22877	●
20,00	40,00	10,00	A	smooth	0,05	72 NBR 902	BAU	7136	●
20,00	40,00	14,00	A	smooth	0,05	72 NBR 902	BADUO	7147	○

● Available from stock ○ On request: Tool is available, delivery at short notice * → Diagram 2, page 18

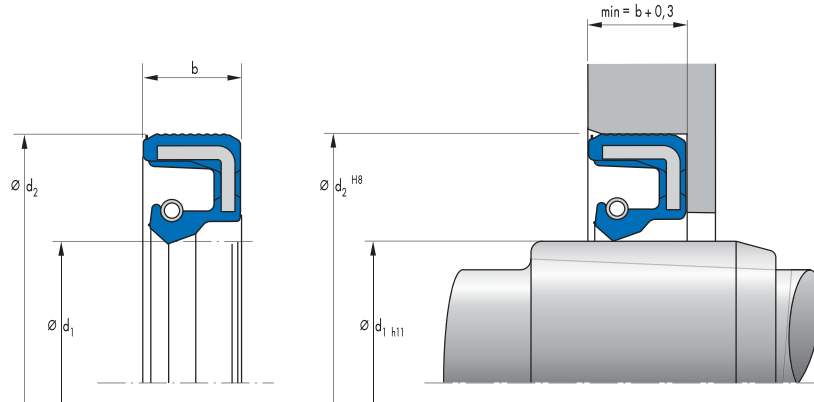


d ₁	d ₂	b	DIN 3761	Outer surface	Pressure	Material	Type	Article No.	
20,00	42,00	6,00	AS	smooth	0,05	75 FKM 585	BAUMSL	527066	●
20,00	42,00	6,00	-	smooth	0,05	75 FKM 585	MSS 1	527075	●
20,00	42,00	7,00	B	metal	0,02	72 NBR 902	B1FUD	334381	●
20,00	42,00	7,00	A	grooved	0,05	75 FKM 585	BAUMX7	403079	●
20,00	42,00	7,00	AS	grooved	0,05	75 FKM 585	BAUMSLX7	405792	●
20,00	42,00	7,00	AS	smooth	0,05	72 NBR 902	BAUSLX2	49004094	●
20,00	42,00	7,00	A	smooth	0,05	72 NBR 902	BAUX2	521667	●
20,00	42,00	10,00	B	metal	0,05	72 NBR 902	B1U	19700	●
20,00	42,00	10,00	C	metal	0,05	72 NBR 902	B2U	22690	●
20,00	42,00	10,00	A	smooth	0,05	72 NBR 902	BA	7723	●
20,00	47,00	7,00	AS	smooth	0,02	72 NBR 902	BAFUDSL	12011119	●
20,00	47,00	7,00	B	metal	0,05	72 NBR 902	B1U	210	●
20,00	47,00	7,00	A	grooved	0,05	75 FKM 585	BAUMX7	399832	●
20,00	47,00	7,00	C	metal	up to 1 MPa	PTFE F56101	B2PT	406540	●
20,00	47,00	7,00	AS	grooved	0,05	75 FKM 585	BAUMSLX7	524288	●
20,00	47,00	7,00	A	smooth	0,05	72 NBR 902	BAUX2	526946	●
20,00	47,00	10,00	C	metal	0,05	72 NBR 902	B2	22878	●
20,00	47,00	10,00	A	smooth	0,05	72 NBR 902	BAU	7724	●
20,00	47,00	10,00	B	metal	0,05	72 NBR 902	B1U	8024	●
20,00	50,00	12,00	C	metal	0,05	72 NBR 902	B2	22879	●
20,00	52,00	6,00	AS	smooth	0,05	75 FKM 585	BAUMSL	531003	●
20,00	52,00	6,00	-	smooth	0,05	75 FKM 585	MSS 1	531002	●
20,00	52,00	7,00	B	metal	0,05	72 NBR 902	B1U	7790	●
20,00	52,00	8,00	AS	smooth	0,05	72 NBR 902	BAUSLX2	526094	●
20,00	52,00	10,00	C	metal	0,05	72 NBR 902	B2	22880	●
20,00	52,00	10,00	A	grooved	0,05	75 FKM 585	BAUMX7	402488	●
20,00	52,00	10,00	A	smooth	0,05	72 NBR 902	BAUX2	478760	●
21,00	30,00	6,50	B	metal	0,05	72 NBR 902	B1	19369	●
21,00	32,00	7,00	B	metal	0,05	72 NBR 902	B1	19371	●
21,00	32,00	7,00	A	smooth	0,05	72 NBR 902	BAUX2	49034522	●
21,00	32,00	7,00	A	smooth	0,05	72 NBR 902	BAU	7194	●
21,00	35,00	8,00	A	smooth	0,05	72 NBR 902	BA	7197	●
21,00	35,00	10,00	C	metal	0,05	72 NBR 902	B2U	22691	●
21,00	40,00	10,00	A	smooth	0,05	72 NBR 902	BAU	7209	●
22,00	32,00	6,00	B	metal	0,05	72 NBR 902	B1U	19376	●
22,00	32,00	6,00	AS	smooth	*	72 NBR 902	BABSL	2966	●

● Available from stock ○ On request: Tool is available, delivery at short notice * → Diagram 2, page 18

d ₁	d ₂	b	DIN 3761	Outer surface	Pressure	Material	Type	Article No.	
22,00	32,00	6,00	AS	smooth	*	75 FKM 595	BABSL	418603	●
22,00	32,00	7,00	BS	metal	0,05	72 NBR 902	B1SL	20072	●
22,00	32,00	7,00	B	metal	0,02	72 NBR 902	B1FUD	335094	●
22,00	32,00	7,00	A	grooved	0,05	75 FKM 585	BAUMX7	402894	●
22,00	32,00	7,00	A	smooth	0,02	72 NBR 902	BAFUD	49001651	●
22,00	32,00	7,00	A	smooth	0,05	72 NBR 902	BA	7217	●
22,00	32,00	7,00	AS	smooth	0,05	72 NBR 902	BASL	7530	●
22,00	33,00	7,00	A	smooth	0,05	72 NBR 902	BAU	8976	●
22,00	35,00	5,00	AS	grooved	0,05	75 FKM 585	BAUMSLX27	520867	●
22,00	35,00	6,00	AS	smooth	*	72 NBR 902	BABSL	2968	●
22,00	35,00	6,00	AS	smooth	*	75 FKM 595	BABSL	348896	●
22,00	35,00	6,50	A	smooth	0,05	72 NBR 902	BAU	7230	●
22,00	35,00	7,00	B	metal	0,05	72 NBR 902	B1U	19705	●
22,00	35,00	7,00	B	metal	0,05	72 NBR 902	B1USL	20073	●
22,00	35,00	7,00	AS	grooved	0,02	72 NBR 902	BAFUDSLX7	346137	●
22,00	35,00	7,00	A	grooved	0,05	75 FKM 585	BAUMX7	388023	●
22,00	35,00	7,00	A	smooth	0,05	72 NBR 902	BAUX2	49001670	●
22,00	35,00	7,00	AS	grooved	0,05	75 FKM 585	BAUMSLX7	520223	●
22,00	35,00	8,00	B	metal	0,05	72 NBR 902	B1	20259	●
22,00	35,00	8,00	A	smooth	0,05	72 NBR 902	BA	7727	●
22,00	35,00	10,00	A	smooth	0,05	72 NBR 902	BAU	7238	●
22,00	37,00	7,00	A	smooth	0,05	72 NBR 902	BA	7243	●
22,00	38,00	8,00	A	smooth	0,05	72 NBR 902	BA	7249	●
22,00	40,00	4,00	A	metal	un-pressurised	80 NBR 177458	MSC 01	508520	●
22,00	40,00	4,00	A	metal	un-pressurised	80 FKM 177459	MSC 01	508568	●
22,00	40,00	7,00	A	smooth	0,02	72 NBR 902	BAFUD	12011120	●
22,00	40,00	7,00	B	metal	0,05	72 NBR 902	B1	13976	●
22,00	40,00	7,00	B	metal	0,05	72 NBR 902	B1USL	3489	●
22,00	40,00	7,00	A	grooved	0,05	75 FKM 585	BAUMX7	410775	●
22,00	40,00	7,00	AS	smooth	0,05	72 NBR 902	BAUSLX2	478610	●
22,00	40,00	7,00	A	smooth	0,05	72 NBR 902	BAUX2	478757	●
22,00	40,00	7,00	AS	smooth	*	75 FKM 595	BABSL	49028556	○
22,00	40,00	7,00	AS	grooved	0,05	75 FKM 585	BAUMSLX7	520028	●
22,00	40,00	7,00	A	grooved	0,05	75 FKM 585	BAUMX7	528161	○
22,00	40,00	8,00	A	smooth	0,05	72 NBR 902	BAU	7252	●
22,00	40,00	9,00	AS	smooth	0,05	72 NBR 902	BASL	7254	○
22,00	40,00	10,00	B	metal	0,05	72 NBR 902	B1U	19707	●
22,00	40,00	10,00	C	metal	0,05	72 NBR 902	B2U	22883	●
22,00	40,00	10,00	A	smooth	0,05	72 NBR 902	BAU	7259	●
22,00	42,00	10,00	B	metal	0,05	72 NBR 902	B1	19708	●
22,00	42,00	10,00	C	metal	0,05	72 NBR 902	B2	22884	●
22,00	42,00	10,00	A	smooth	0,05	72 NBR 902	BAU	7269	●
22,00	45,00	7,00	A	smooth	0,05	72 NBR 902	BAU	7273	●
22,00	47,00	7,00	B	metal	0,05	72 NBR 902	B1	2720	●
22,00	47,00	7,00	AS	grooved	0,05	75 FKM 585	BAUMSLX7	405788	●
22,00	47,00	7,00	A	grooved	0,05	75 FKM 585	BAUMX7	523972	●
22,00	47,00	7,00	A	smooth	0,05	72 NBR 902	BAUX2	524511	●
22,00	47,00	7,00	AS	smooth	0,05	72 NBR 902	BAUSLX2	526318	●
22,00	47,00	9,00	C	metal	0,05	72 NBR 902	B2	38026	○
22,00	47,00	10,00	B	metal	0,05	72 NBR 902	B1U	19709	○

● Available from stock ○ On request: Tool is available, delivery at short notice * → Diagram 2, page 18

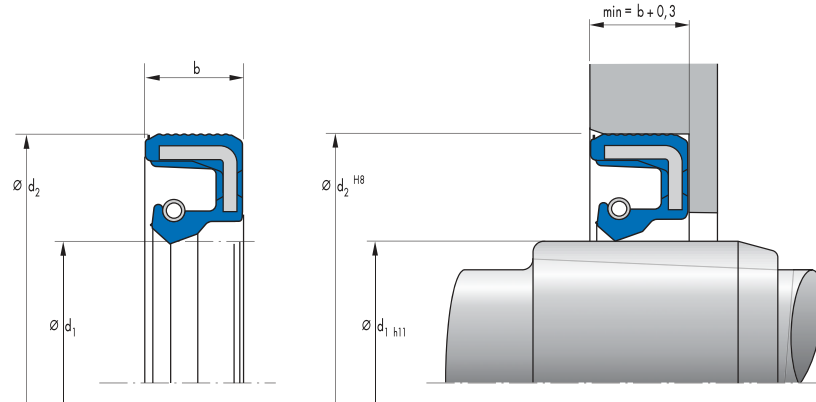


d ₁	d ₂	b	DIN 3761	Outer surface	Pressure	Material	Type	Article No.	
22,00	47,00	10,00	C	metal	0,05	72 NBR 902	B2U	22693	●
22,00	47,00	10,00	A	smooth	0,05	72 NBR 902	BAU	7282	●
22,00	52,00	10,00	AS	grooved	0,05	75 FKM 585	BAUMSLX7	523044	●
22,00	62,00	10,00	AS	smooth	0,05	72 NBR 902	BAUSLX2	520529	●
23,00	40,00	8,00	AS	grooved	0,02	72 NBR 902	BAFUDSLX7	397856	○
23,00	40,00	8,00	A	smooth	0,05	72 NBR 902	BAU	7301	●
23,00	40,00	10,00	C	metal	0,05	72 NBR 902	B2	22886	○
23,00	40,00	10,00	A	grooved	0,02	72 NBR 902	BAFUDX7	334797	●
23,00	42,00	10,00	A	smooth	0,05	72 NBR 902	BAU	339040	●
23,00	47,00	10,00	A	smooth	0,05	72 NBR 902	BA	7311	●
24,00	32,00	7,00	BS	metal	0,05	72 NBR 902	B1SL	20074	●
24,00	35,00	7,00	B	metal	0,05	72 NBR 902	B1	13985	●
24,00	35,00	7,00	A	grooved	0,05	75 FKM 585	BAUMX7	394587	●
24,00	35,00	7,00	A	smooth	0,05	72 NBR 902	BAU	523554	●
24,00	36,00	6,00	B	metal	0,05	72 NBR 902	B1	19388	●
24,00	36,00	7,00	AS	smooth	0,05	72 NBR 902	BASL	7325	●
24,00	36,00	9,00	A	smooth	0,05	72 NBR 902	BAU	7329	●
24,00	37,00	7,00	A	grooved	0,05	75 FKM 585	BAUMX7	397820	●
24,00	37,00	7,00	A	smooth	0,05	72 NBR 902	BAU	7331	●
24,00	37,00	7,00	B	metal	0,05	72 NBR 902	B1	7942	●
24,00	40,00	4,00	A	metal	un-pressurised	80 NBR 177458	MSC 01	508521	●
24,00	40,00	4,00	A	metal	un-pressurised	80 FKM 177459	MSC 01	508569	●
24,00	40,00	7,00	B	metal	0,05	72 NBR 902	B1U	2721	●
24,00	40,00	7,00	A	smooth	0,05	72 NBR 902	BA	37887	●
24,00	40,00	7,00	AS	grooved	0,05	75 FKM 585	BAUMSLX7	404319	●
24,00	40,00	7,00	AS	smooth	*	72 NBR 902	BABSL	432530	●
24,00	40,00	10,00	C	metal	0,05	72 NBR 902	B2U	22888	●
24,00	40,00	10,00	A	smooth	0,05	72 NBR 902	BAU	7337	●
24,00	42,00	10,00	C	metal	0,05	72 NBR 902	B2U	22889	●
24,00	42,00	10,00	A	smooth	0,05	72 NBR 902	BA	7340	●
24,00	47,00	7,00	A	smooth	0,05	72 NBR 902	BA	13989	●
24,00	47,00	7,00	B	metal	0,05	72 NBR 902	B1	2723	●
24,00	47,00	10,00	B	metal	0,05	72 NBR 902	B1U	19713	●
24,00	47,00	10,00	A	smooth	0,05	72 NBR 902	BAUX2	533292	●
24,00	47,00	10,00	C	metal	0,05	72 NBR 902	B2U	8071	●
24,00	50,00	10,00	A	smooth	0,05	72 NBR 902	BAU	7350	●

● Available from stock ○ On request: Tool is available, delivery at short notice * → Diagram 2, page 18

d ₁	d ₂	b	DIN 3761	Outer surface	Pressure	Material	Type	Article No.	
24,00	52,00	12,00	C	metal	0,05	72 NBR 902	B2U	22893	●
24,00	62,00	10,00	A	grooved	0,05	72 NBR 902	BAUX27	451668	●
25,00	32,00	5,00	B	metal	un-pressurised	72 NBR 902	B1OF	23841	●
25,00	32,00	7,00	BS	metal	0,02	72 NBR 902	B1FUDSL	335096	●
25,00	33,00	6,00	A	smooth	0,05	72 NBR 902	BA	347393	○
25,00	33,00	6,00	A	smooth	0,02	72 NBR 902	BAFUD	532600	●
25,00	35,00	6,00	AS	smooth	*	72 NBR 902	BABSL	2990	●
25,00	35,00	6,00	AS	smooth	*	75 FKM 595	BABSL	342369	●
25,00	35,00	7,00	A	smooth	0,05	72 NBR 902	BADUO	3473	○
25,00	35,00	7,00	A	grooved	0,05	75 FKM 585	BAUMX7	397821	●
25,00	35,00	7,00	AS	smooth	0,05	72 NBR 902	BAUSLX2	478777	●
25,00	35,00	7,00	A	smooth	0,05	72 NBR 902	BAUX2	49001662	●
25,00	35,00	7,00	A	smooth	0,05	72 NBR 902	BAUX2	49010730	○
25,00	35,00	7,00	AS	grooved	0,05	75 FKM 585	BAUMSLX7	49027215	●
25,00	35,00	7,00	B	metal	0,02	72 NBR 902	B1FUD	532629	●
25,00	35,00	8,00	A	smooth	0,05	72 NBR 902	BAU	7374	●
25,00	36,00	6,00	AS	smooth	*	72 NBR 902	BABSL	527283	●
25,00	36,00	7,00	A	smooth	0,05	72 NBR 902	BA	7380	●
25,00	37,00	5,00	A	smooth	0,02	72 NBR 902	BAFUD	12010847	●
25,00	37,00	6,00	AS	smooth	*	72 NBR 902	BABSL	49009338	●
25,00	37,00	6,00	AS	smooth	*	75 FKM 595	BABSL	520074	●
25,00	37,00	7,00	B	metal	0,05	72 NBR 902	B1U	19392	●
25,00	37,00	7,00	A	smooth	0,05	72 NBR 902	BA	317308	○
25,00	37,00	7,00	A	smooth	0,05	72 NBR 902	BAUX2	49028651	●
25,00	37,00	7,00	A	smooth	0,05	75 FKM 585	BAUM	49033008	●
25,00	38,00	7,00	B	metal	0,05	72 NBR 902	B1	19394	●
25,00	38,00	7,00	C	metal	up to 1 MPa	PTFE F56101	B2PT	406568	●
25,00	38,00	7,00	A	grooved	0,05	75 FKM 585	BAUMX7	410776	●
25,00	38,00	7,00	AS	grooved	0,05	75 FKM 585	BAUMSLX7	529448	●
25,00	38,00	7,00	A	smooth	0,05	72 NBR 902	BA	7389	●
25,00	40,00	4,00	A	metal	un-pressurised	80 NBR 177458	MSC 01	508522	●
25,00	40,00	4,00	A	metal	un-pressurised	80 FKM 177459	MSC 01	508571	●
25,00	40,00	5,00	A	smooth	0,05	75 FKM 595	BAUM	342330	○
25,00	40,00	5,00	A	grooved	0,02	72 NBR 902	BAFUDX27	355425	●
25,00	40,00	5,00	A	grooved	0,05	75 FKM 585	BAUMX27	526412	●
25,00	40,00	6,00	B	metal	0,05	72 NBR 902	B1	19395	●
25,00	40,00	7,00	AS	smooth	*	72 NBR 902	BABSL	307424	●
25,00	40,00	7,00	A	smooth	0,05	72 NBR 902	BAU	324743	●
25,00	40,00	7,00	B	metal	0,05	72 NBR 902	B1U	3579	●
25,00	40,00	7,00	AS	smooth	*	75 FKM 595	BABSL	366923	●
25,00	40,00	7,00	A	grooved	0,05	75 FKM 585	BAUMX7	400258	●
25,00	40,00	7,00	C	metal	up to 1 MPa	PTFE F56101	B2PT	406569	●
25,00	40,00	7,00	AS	grooved	0,05	75 FKM 585	BAUMSLX7	410111	●
25,00	40,00	7,00	AS	smooth	0,05	72 NBR 902	BAUSLX2	524142	●
25,00	40,00	7,00	A	smooth	0,05	72 NBR 902	BAUX2	529328	●
25,00	40,00	8,00	B	metal	0,05	72 NBR 902	B1U	19716	●
25,00	40,00	8,00	AS	smooth	0,05	75 FKM 585	BAUMSL	423186	○
25,00	40,00	8,00	AS	smooth	0,05	72 NBR 902	BAUSLX2	49017913	●
25,00	40,00	9,00	C	metal	0,05	72 NBR 902	B2U	2490	●
25,00	40,00	9,00	A	smooth	0,05	72 NBR 902	BAUSL	7413	●

● Available from stock ○ On request: Tool is available, delivery at short notice * → Diagram 2, page 18

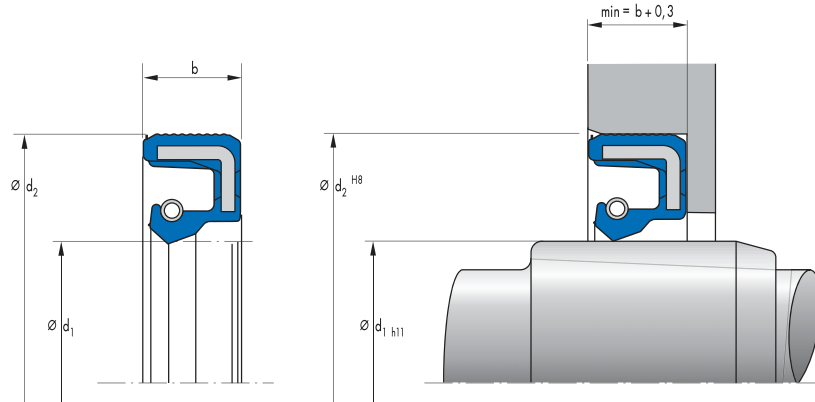


d ₁	d ₂	b	DIN 3761	Outer surface	Pressure	Material	Type	Article No.	
25,00	40,00	10,00	B	metal	0,05	72 NBR 902	B1U	19717	●
25,00	40,00	10,00	C	metal	0,05	72 NBR 902	B2U	22694	●
25,00	40,00	10,00	A	grooved	0,02	72 NBR 902	BAFUDX7	334805	●
25,00	41,00	10,00	C	metal	0,05	72 NBR 902	B2	22894	○
25,00	42,00	6,00	AS	smooth	*	72 NBR 902	BABSL	12001675	●
25,00	42,00	6,00	A	smooth	0,02	72 NBR 902	BAFUD	12010853	●
25,00	42,00	6,00	A	smooth	0,05	75 FKM 585	BAUM	49036524	○
25,00	42,00	6,00	A	metal	un-pressurised	80 FKM 177459	MSC 02	508607	●
25,00	42,00	6,00	A	metal	un-pressurised	80 NBR 177458	MSC 02	508631	●
25,00	42,00	6,00	AS	smooth	0,05	72 NBR 902	BAUSLX2	522901	●
25,00	42,00	6,00	AS	smooth	0,05	75 FKM 585	BAUMSL	522919	●
25,00	42,00	6,00	AS	smooth	*	75 FKM 595	BABSL	523934	●
25,00	42,00	7,00	A	smooth	0,05	72 NBR 902	BAU	112421	○
25,00	42,00	7,00	B	metal	0,05	75 FKM 595	B1U	329294	○
25,00	42,00	7,00	B	metal	0,02	72 NBR 902	B1FUD	334379	●
25,00	42,00	7,00	A	grooved	0,05	75 FKM 585	BAUMX7	390889	●
25,00	42,00	7,00	C	metal	up to 1 MPa	PTFE F56101	B2PT	406570	●
25,00	42,00	7,00	A	grooved	0,05	75 FKM 585	BAUMX7	439222	○
25,00	42,00	7,00	A	smooth	0,05	72 NBR 902	BAUX2	478756	●
25,00	42,00	7,00	AS	smooth	0,05	72 NBR 902	BAUSLX2	478776	●
25,00	42,00	7,00	A	grooved	0,05	75 FKM 585	BAUMX7	522783	○
25,00	42,00	9,00	C	metal	0,05	72 NBR 902	B2U	4571	●
25,00	42,00	10,00	B	metal	0,05	72 NBR 902	B1U	19718	●
25,00	42,00	10,00	B	metal	0,05	72 NBR 902	B1	19719	●
25,00	42,00	10,00	BS	metal	0,05	72 NBR 902	B1SL	20077	●
25,00	42,00	10,00	C	metal	0,05	72 NBR 902	B2U	22895	●
25,00	42,00	10,00	A	grooved	0,02	72 NBR 902	BAFUDX7	334806	●
25,00	42,00	10,00	A	smooth	0,05	72 NBR 902	BA	7426	●
25,00	42,90	9,50	B	metal	0,05	72 NBR 902	B1	19720	●
25,00	42,90	9,50	A	smooth	0,05	72 NBR 902	BA	7746	●
25,00	43,00	10,00	A	smooth	0,05	72 NBR 902	BA	7438	●
25,00	45,00	7,00	A	grooved	0,05	75 FKM 585	BAUMX7	410777	●
25,00	45,00	10,00	B	metal	0,05	72 NBR 902	B1U	19721	●
25,00	45,00	10,00	C	metal	0,05	72 NBR 902	B2	22896	●
25,00	45,00	10,00	A	smooth	0,05	72 NBR 902	BA	7446	●
25,00	45,00	10,00	A	smooth	0,05	72 NBR 902	BAUSL	7755	●

● Available from stock ○ On request: Tool is available, delivery at short notice * → Diagram 2, page 18

d ₁	d ₂	b	DIN 3761	Outer surface	Pressure	Material	Type	Article No.	
25,00	45,00	14,00	A	smooth	0,05	72 NBR 902	BADUO	7453	○
25,00	46,00	7,00	A	smooth	0,05	72 NBR 902	BAU	7457	●
25,00	47,00	6,00	AS	smooth	*	72 NBR 902	BABSL	2991	●
25,00	47,00	6,00	AS	smooth	*	75 FKM 595	BABSL	418622	●
25,00	47,00	7,00	AS	smooth	0,02	72 NBR 902	BAFUDSL	12011125	●
25,00	47,00	7,00	B	metal	0,02	72 NBR 902	B1FUD	334939	●
25,00	47,00	7,00	BS	metal	0,02	72 NBR 902	B1FUDSL	355474	●
25,00	47,00	7,00	A	grooved	0,05	75 FKM 585	BAUMX7	388045	●
25,00	47,00	7,00	C	metal	up to 1 MPa	PTFE F56101	B2PT	406571	●
25,00	47,00	7,00	AS	grooved	0,05	75 FKM 585	BAUMSLX7	436712	●
25,00	47,00	7,00	A	grooved	0,02	72 NBR 902	BAFUDX7	466318	○
25,00	47,00	7,00	A	smooth	0,05	72 NBR 902	BAUX2	478755	●
25,00	47,00	7,00	AS	smooth	0,05	72 NBR 902	BAUSLX2	478790	●
25,00	47,00	8,00	BS	metal	0,02	72 NBR 902	B1FUDSL	421018	●
25,00	47,00	8,00	A	smooth	0,05	72 NBR 902	BA	7460	●
25,00	47,00	9,00	C	metal	0,02	72 NBR 902	B2FUD	334909	●
25,00	47,00	10,00	CS	metal	0,05	72 NBR 902	B2SL	33189	●
25,00	47,00	10,00	C	metal	0,02	72 NBR 902	B2FUD	334910	●
25,00	47,00	10,00	B	metal	0,02	72 NBR 902	B1FUD	334940	●
25,00	47,00	10,00	BS	metal	0,02	72 NBR 902	B1FUDSL	334941	●
25,00	47,00	10,00	A	grooved	0,02	72 NBR 902	BAFUDX7	355411	●
25,00	47,00	10,00	AS	smooth	0,05	75 FKM 585	BAUMSL	527065	●
25,00	47,00	10,00	A	smooth	0,05	72 NBR 902	BA	7467	●
25,00	47,00	10,00	-	smooth	0,05	75 FKM 585	MSS 1	527074	●
25,00	50,00	7,00	AS	grooved	0,05	75 FKM 585	BAUMSLX7	410112	●
25,00	50,00	10,00	B	metal	0,05	72 NBR 902	B1U	19723	●
25,00	50,00	10,00	C	metal	0,05	72 NBR 902	B2	22898	●
25,00	50,00	10,00	A	smooth	0,05	72 NBR 902	BA	7483	●
25,00	50,00	12,00	C	metal	0,05	72 NBR 902	B2	22899	●
25,00	52,00	7,00	B	metal	0,02	72 NBR 902	B1FUD	334942	●
25,00	52,00	7,00	B	metal	0,05	72 NBR 902	B1USL	3494	●
25,00	52,00	7,00	A	grooved	0,05	75 FKM 585	BAUMX7	400698	●
25,00	52,00	7,00	C	metal	up to 1 MPa	PTFE F56101	B2PT	406572	●
25,00	52,00	7,00	AS	grooved	0,05	75 FKM 585	BAUMSLX7	524117	●
25,00	52,00	7,00	AS	smooth	0,05	72 NBR 902	BAUSLX2	524698	●
25,00	52,00	7,00	A	smooth	0,02	72 NBR 902	BAFUD	532617	●
25,00	52,00	8,00	B	metal	0,02	72 NBR 902	B1FUD	334943	●
25,00	52,00	8,00	A	smooth	0,05	72 NBR 902	BA	7488	●
25,00	52,00	9,00	C	metal	0,02	72 NBR 902	B2FUD	334911	●
25,00	52,00	10,00	A	grooved	0,02	72 NBR 902	BAFUDX7	334818	●
25,00	52,00	10,00	C	metal	0,02	72 NBR 902	B2FUD	334912	●
25,00	52,00	10,00	B	metal	0,02	72 NBR 902	B1FUD	334944	●
25,00	52,00	10,00	A	smooth	0,05	72 NBR 902	BAU	523415	●
25,00	52,00	12,00	B	metal	0,05	72 NBR 902	B1USL	20123	●
25,00	52,00	12,00	C	metal	0,02	72 NBR 902	B2FUD	334913	●
25,00	52,00	12,00	B	metal	0,02	72 NBR 902	B1FUD	334946	●
25,00	62,00	7,00	B	metal	0,05	72 NBR 902	B1U	128732	●
25,00	62,00	7,00	A	grooved	0,05	75 FKM 585	BAUMX7	422899	●
25,00	62,00	7,00	AS	grooved	0,05	72 NBR 902	BAUSLX27	451924	●
25,00	62,00	10,00	A	grooved	0,02	72 NBR 902	BAFUDX7	423372	●

● Available from stock ○ On request: Tool is available, delivery at short notice * → Diagram 2, page 18

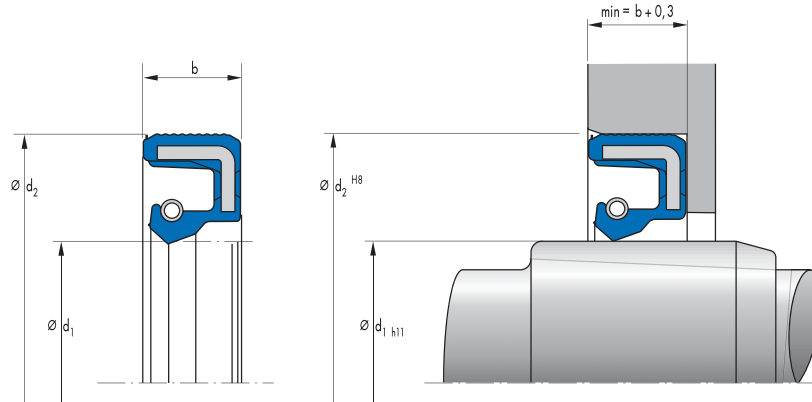


d ₁	d ₂	b	DIN 3761	Outer surface	Pressure	Material	Type	Article No.	
25,00	62,00	10,00	A	smooth	0,05	72 NBR 902	BAU	7503	●
25,00	62,00	12,00	C	metal	0,05	72 NBR 902	B2	22902	●
25,40	38,08	6,76	BS	metal	0,02	72 NBR 902	B1FUDSL	366325	○
25,40	38,10	6,35	AS	smooth	*	72 NBR 902	BABSL	427899	○
26,00	35,00	7,00	AS	smooth	0,02	72 NBR 902	BAFUDSL	12000470	●
26,00	35,00	7,00	B	metal	0,05	72 NBR 902	B1U	7947	●
26,00	36,00	7,00	A	smooth	0,05	72 NBR 902	BAU	7520	●
26,00	37,00	7,00	B	metal	0,05	72 NBR 902	B1	19407	●
26,00	37,00	7,00	A	smooth	0,05	72 NBR 902	BAUSL	3402	●
26,00	37,00	7,00	AS	grooved	0,05	75 FKM 585	BAUMSLX7	407128	●
26,00	37,00	7,00	A	smooth	0,05	72 NBR 902	BAU	7525	●
26,00	40,00	4,00	A	metal	un-pressurised	80 NBR 177458	MSC 01	508523	●
26,00	40,00	4,00	A	metal	un-pressurised	80 FKM 177459	MSC 01	508572	●
26,00	40,00	6,00	AS	smooth	*	75 FKM 595	BABSL	426478	●
26,00	42,00	7,00	AS	smooth	0,02	72 NBR 902	BAFUDSL	12011128	●
26,00	42,00	7,00	B	metal	0,05	72 NBR 902	B1U	2273	●
26,00	42,00	7,00	A	grooved	0,02	72 NBR 902	BAFUDX7	355636	●
26,00	42,00	7,00	A	grooved	0,05	75 FKM 585	BAUMX7	402895	●
26,00	42,00	7,00	AS	smooth	*	75 FKM 595	BABSL	49021064	●
26,00	42,00	10,00	C	metal	0,05	72 NBR 902	B2U	22905	●
26,00	42,00	10,00	AS	smooth	0,05	72 NBR 902	BASL	308072	●
26,00	42,00	10,00	B	metal	0,02	72 NBR 902	B1FUD	407513	●
26,00	42,00	10,00	A	smooth	0,05	72 NBR 902	BA	7535	●
26,00	42,90	9,50	B	metal	0,05	72 NBR 902	B1	19728	○
26,00	45,00	10,00	B	metal	0,02	72 NBR 902	B1FUD	341006	●
26,00	47,00	7,00	A	grooved	0,05	75 FKM 585	BAUMX7	388813	●
26,00	47,00	7,00	A	smooth	0,05	72 NBR 902	BAU	9567	●
26,00	47,00	10,00	C	metal	0,05	72 NBR 902	B2	22906	●
26,00	47,00	10,00	A	smooth	0,05	72 NBR 902	BAU	7540	●
26,00	50,00	10,00	A	smooth	0,05	72 NBR 902	BA	7546	●
26,00	52,00	8,00	A	smooth	0,02	72 NBR 902	BAFUD	12010869	●
26,00	52,00	10,00	A	smooth	0,05	72 NBR 902	BAU	7549	●
26,00	52,00	12,00	B	metal	0,05	72 NBR 902	B1U	426389	●
27,00	37,00	7,00	A	smooth	0,05	72 NBR 902	BAU	39052	●
27,00	39,00	6,00	AS	smooth	*	75 FKM 595	BABSL	49012698	○
27,00	41,00	10,00	C	metal	0,05	72 NBR 902	B2U	22700	●

● Available from stock ○ On request: Tool is available, delivery at short notice * → Diagram 2, page 18

d ₁	d ₂	b	DIN 3761	Outer surface	Pressure	Material	Type	Article No.	
27,00	41,00	10,00	A	smooth	0,05	72 NBR 902	BA	7558	●
27,00	42,00	10,00	A	smooth	0,02	72 NBR 902	BAFUD	12010871	●
27,00	42,00	10,00	C	metal	0,05	72 NBR 902	B2	22701	●
27,00	47,00	6,00	A	smooth	0,05	72 NBR 902	BA	12010872	●
27,00	47,00	7,00	A	smooth	0,05	72 NBR 902	BA	7564	●
27,00	47,00	10,00	B	metal	0,05	72 NBR 902	B1	19731	●
27,00	47,00	10,00	C	metal	0,05	72 NBR 902	B2	22911	●
27,00	47,00	10,00	A	smooth	0,05	72 NBR 902	BA	7567	●
27,00	52,00	8,00	A	smooth	0,05	72 NBR 902	BA	7573	●
27,00	52,00	10,00	A	smooth	0,05	72 NBR 902	BA	7576	●
27,00	62,00	12,00	C	metal	0,05	72 NBR 902	B2	22914	○
28,00	35,00	6,00	B	metal	un-pressurised	72 NBR 902	B1OF	428755	●
28,00	36,00	8,00	A	grooved	0,02	72 NBR 902	BAFUDX7	520461	●
28,00	38,00	7,00	AS	grooved	0,05	75 FKM 585	BAUMSLX7	410113	●
28,00	38,00	7,00	A	grooved	0,05	75 FKM 585	BAUMX7	523862	●
28,00	38,00	7,00	A	smooth	0,05	72 NBR 902	BAU	7582	●
28,00	38,00	7,00	B	metal	0,05	72 NBR 902	B1U	7957	●
28,00	40,00	6,00	AS	smooth	*	72 NBR 902	BABSL	338223	●
28,00	40,00	6,00	AS	smooth	*	75 FKM 595	BABSL	339414	●
28,00	40,00	7,00	B	metal	0,05	72 NBR 902	B1	19410	●
28,00	40,00	7,00	A	grooved	0,02	72 NBR 902	BAFUDX7	355391	●
28,00	40,00	7,00	A	grooved	0,05	75 FKM 585	BAUMX7	400715	●
28,00	40,00	7,00	AS	smooth	0,05	75 FKM 595	BAUMSL	410719	○
28,00	40,00	7,00	AS	smooth	*	72 NBR 902	BABSL	523549	●
28,00	40,00	7,00	AS	smooth	0,05	72 NBR 902	BASL	7771	●
28,00	40,00	7,50	C	metal	0,05	72 NBR 902	B2	38409	●
28,00	40,00	8,00	AS	smooth	*	75 FKM 595	BABSL	404676	●
28,00	40,00	8,00	AS	smooth	*	72 NBR 902	BABSL	432619	●
28,00	40,00	9,00	AS	smooth	*	72 NBR 902	BABSL	68078	●
28,00	40,00	10,00	B	metal	0,05	72 NBR 902	B1U	19412	●
28,00	42,00	7,00	B	metal	0,05	72 NBR 902	B1	251	●
28,00	42,00	8,00	B	metal	0,05	72 NBR 902	B1	19413	●
28,00	42,00	8,00	AS	grooved	0,05	72 NBR 902	BAUSLX27	451925	●
28,00	42,00	8,00	A	smooth	0,05	72 NBR 902	BA	7601	●
28,00	42,00	10,00	AS	smooth	0,05	72 NBR 902	BASL	7603	●
28,00	42,50	8,00	B	metal	0,05	72 NBR 902	B1	19732	●
28,00	42,50	8,00	A	smooth	0,05	72 NBR 902	BA	7605	●
28,00	42,90	9,50	B	metal	0,05	72 NBR 902	B1	19415	●
28,00	42,90	9,50	A	smooth	0,05	72 NBR 902	BA	7608	●
28,00	43,00	4,00	A	metal	un-pressurised	80 NBR 177458	MSC 01	508524	●
28,00	43,00	4,00	A	metal	un-pressurised	80 FKM 177459	MSC 01	508573	●
28,00	43,00	10,00	A	smooth	0,05	72 NBR 902	BA	7611	●
28,00	45,00	7,50	B	metal	0,05	72 NBR 902	B1U	19416	●
28,00	45,00	7,50	A	grooved	0,02	72 NBR 902	BAFUDX7	520462	●
28,00	45,00	8,00	AS	grooved	0,05	75 FKM 585	BAUMSLX7	474113	●
28,00	47,00	5,00	A	smooth	0,05	72 NBR 902	BA	7613	●
28,00	47,00	7,00	AS	smooth	0,02	72 NBR 902	BAFUDSL	12011130	●
28,00	47,00	7,00	B	metal	0,05	72 NBR 902	B1	2730	●
28,00	47,00	7,00	A	grooved	0,05	75 FKM 585	BAUMX7	390252	●
28,00	47,00	7,00	C	metal	up to 1 MPa	PTFE F56101	B2PT	406616	●

● Available from stock ○ On request: Tool is available, delivery at short notice * → Diagram 2, page 18

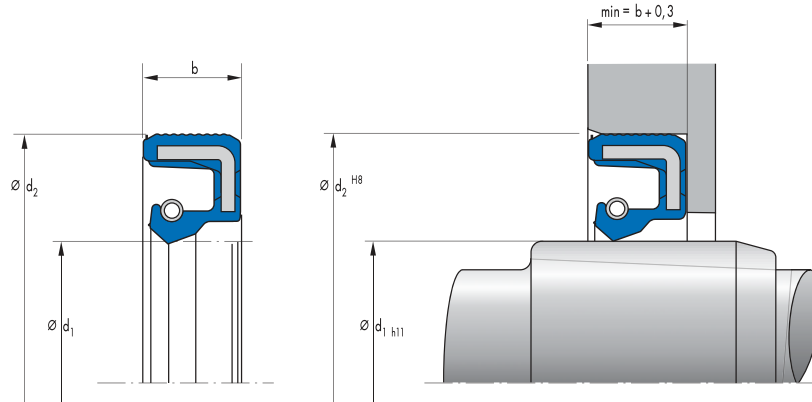


d_1	d_2	b	DIN 3761	Outer surface	Pressure	Material	Type	Article No.	
28,00	47,00	7,00	A	smooth	0,05	72 NBR 902	BAUX2	478466	●
28,00	47,00	7,00	AS	smooth	0,05	72 NBR 902	BAUSLX2	49037522	●
28,00	47,00	7,00	AS	grooved	0,05	75 FKM 585	BAUMSLX7	521005	●
28,00	47,00	9,00	C	metal	0,05	72 NBR 902	B2	2479	●
28,00	47,00	9,00	AS	smooth	0,05	72 NBR 902	BASL	7618	●
28,00	47,00	10,00	B	metal	0,05	72 NBR 902	B1	19733	●
28,00	47,00	10,00	BS	metal	0,05	72 NBR 902	B1SL	20126	●
28,00	47,00	10,00	C	metal	0,05	72 NBR 902	B2	22915	●
28,00	47,00	10,00	A	smooth	0,05	72 NBR 902	BAU	7623	●
28,00	50,00	10,00	C	metal	0,05	72 NBR 902	B2U	22704	●
28,00	50,00	10,00	A	smooth	0,05	72 NBR 902	BAU	7631	●
28,00	50,00	12,00	C	metal	0,05	72 NBR 902	B2U	22916	●
28,00	52,00	7,00	A	smooth	0,05	72 NBR 902	BAU	13990	●
28,00	52,00	7,00	B	metal	0,05	72 NBR 902	B1U	13994	●
28,00	52,00	7,00	A	grooved	0,05	75 FKM 585	BAUMX7	400263	●
28,00	52,00	7,00	AS	grooved	0,05	72 NBR 902	BAUSLX27	451926	●
28,00	52,00	7,00	AS	smooth	0,05	75 FKM 585	BAUMSL	49011964	●
28,00	52,00	9,00	C	metal	0,05	72 NBR 902	B2	19623	●
28,00	52,00	10,00	C	metal	0,05	72 NBR 902	B2U	22705	●
28,00	52,00	10,00	AS	smooth	0,05	72 NBR 902	BAUSLX2	49037521	●
28,00	52,00	10,00	AS	smooth	0,02	72 NBR 902	BAFUDSL	532618	●
28,00	52,00	10,00	A	smooth	0,05	72 NBR 902	BAU	7639	●
28,00	52,00	12,00	C	metal	0,05	72 NBR 902	B2	22917	●
28,00	55,00	9,00	A	smooth	0,05	72 NBR 902	BA	7645	●
28,00	62,00	12,00	C	metal	0,05	72 NBR 902	B2	22919	●
28,00	72,00	10,00	A	grooved	0,05	72 NBR 902	BAUX27	451927	●
29,00	42,90	9,50	A	smooth	0,05	72 NBR 902	BA	7650	●
29,00	43,00	7,00	A	smooth	0,05	72 NBR 902	BAU	7652	●
29,00	47,00	10,00	C	metal	0,05	72 NBR 902	B2	22923	●
29,00	50,00	10,00	C	metal	0,05	72 NBR 902	B2	22707	●
29,00	52,00	10,00	C	metal	0,05	72 NBR 902	B2	22924	●
30,00	40,00	7,00	A	grooved	0,05	75 FKM 585	BAUMX7	400273	●
30,00	40,00	7,00	C	metal	up to 1 MPa	PTFE F56101	B2PT	406617	●
30,00	40,00	7,00	AS	grooved	0,05	75 FKM 585	BAUMSLX7	479046	●
30,00	40,00	7,00	A	smooth	0,05	72 NBR 902	BAUX2	520216	●
30,00	40,00	7,00	AS	smooth	0,05	72 NBR 902	BAUSLX2	529402	●

● Available from stock ○ On request: Tool is available, delivery at short notice * → Diagram 2, page 18

d ₁	d ₂	b	DIN 3761	Outer surface	Pressure	Material	Type	Article No.	
30,00	40,00	7,00	B	metal	0,02	72 NBR 902	B1FUD	532630	●
30,00	40,00	8,00	AS	grooved	0,02	72 NBR 902	BAFUDSLX7	334820	●
30,00	42,00	5,70	A	smooth	0,05	72 NBR 902	BAUX2	478056	●
30,00	42,00	5,70	AS	smooth	0,05	72 NBR 902	BAUSLX2	478769	●
30,00	42,00	6,00	B	metal	0,05	72 NBR 902	B1	20417	●
30,00	42,00	6,00	AS	smooth	*	72 NBR 902	BABSL	3003	●
30,00	42,00	6,00	AS	smooth	*	75 FKM 595	BABSL	418629	●
30,00	42,00	7,00	AS	smooth	*	72 NBR 902	BABSL	12001682	●
30,00	42,00	7,00	B	metal	0,02	72 NBR 902	B1FUD	334268	●
30,00	42,00	7,00	BS	metal	0,02	72 NBR 902	B1FUDSL	335097	●
30,00	42,00	7,00	A	grooved	0,02	72 NBR 902	BAFUDX7	355384	●
30,00	42,00	7,00	A	grooved	0,05	75 FKM 585	BAUMX7	400271	●
30,00	42,00	7,00	AS	grooved	0,05	75 FKM 585	BAUMSLX7	479045	●
30,00	42,00	7,00	A	smooth	0,05	72 NBR 902	BAUX2	49001666	●
30,00	42,00	7,00	A	smooth	0,05	72 NBR 902	BAUX2	524506	●
30,00	42,00	7,00	AS	smooth	0,05	72 NBR 902	BAUSLX2	529400	●
30,00	42,00	8,00	AS	smooth	0,05	72 NBR 902	BAUSLX2	49004319	●
30,00	44,00	10,00	B	metal	0,05	72 NBR 902	B1U	19424	●
30,00	45,00	7,00	C	metal	up to 1 MPa	PTFE F56101	B2PT	406619	●
30,00	45,00	7,00	AS	grooved	0,05	75 FKM 585	BAUMSLX7	410115	●
30,00	45,00	7,00	A	smooth	0,05	72 NBR 902	BAU	7685	●
30,00	45,00	8,00	AS	smooth	0,02	72 NBR 902	BAFUDSL	12012582	●
30,00	45,00	8,00	A	smooth	0,05	72 NBR 902	BAU	7686	●
30,00	45,00	8,50	A	smooth	0,05	72 NBR 902	BADUO	3475	○
30,00	45,00	9,50	A	smooth	0,05	72 NBR 902	BAU	7695	●
30,00	45,00	10,00	A	smooth	0,05	72 NBR 902	BAU	7700	●
30,00	45,00	13,00	A	smooth	0,05	72 NBR 902	BAUSL	30497	●
30,00	47,00	4,50	A	metal	un-pressurised	80 NBR 177458	MSC 01	508525	●
30,00	47,00	4,50	A	metal	un-pressurised	80 FKM 177459	MSC 01	508574	●
30,00	47,00	6,00	A	smooth	0,05	72 NBR 902	BAUX2	528822	●
30,00	47,00	7,00	AS	smooth	0,02	72 NBR 902	BAFUDSL	12000480	○
30,00	47,00	7,00	A	smooth	0,05	72 NBR 902	BAU	328283	○
30,00	47,00	7,00	A	grooved	0,05	75 FKM 585	BAUMX7	386014	●
30,00	47,00	7,00	B	metal	0,05	72 NBR 902	B1U	39845	●
30,00	47,00	7,00	AS	grooved	0,05	75 FKM 585	BAUMSLX7	404326	●
30,00	47,00	7,00	C	metal	up to 1 MPa	PTFE F56101	B2PT	406620	●
30,00	47,00	7,00	A	smooth	0,05	75 FKM 595	BAUM	434416	○
30,00	47,00	7,00	B	metal	0,05	72 NBR 902	B1U	458251	○
30,00	47,00	7,00	A	smooth	0,05	72 NBR 902	BAUX2	478441	●
30,00	47,00	7,00	AS	smooth	0,05	72 NBR 902	BAUSLX2	49001669	●
30,00	47,00	7,00	A	smooth	0,05	72 NBR 902	BAUX2	531158	○
30,00	47,00	8,00	B	metal	0,05	72 NBR 902	B1USL	150732	●
30,00	47,00	8,00	C	metal	0,05	72 NBR 902	B2	23631	●
30,00	47,00	8,00	AS	grooved	0,02	72 NBR 902	BAFUDSLX7	532619	●
30,00	47,00	8,00	A	smooth	0,05	72 NBR 902	BAU	7708	●
30,00	47,00	8,00	B	metal	0,05	72 NBR 902	B1	7979	●
30,00	47,00	10,00	B	metal	0,05	72 NBR 902	B1U	19737	●
30,00	47,00	10,00	B	metal	0,05	72 NBR 902	B1USL	20127	●
30,00	47,00	10,00	C	metal	0,05	72 NBR 902	B2U	22708	●
30,00	47,00	10,00	A	grooved	0,02	72 NBR 902	BAFUDX7	355392	●

● Available from stock ○ On request: Tool is available, delivery at short notice * → Diagram 2, page 18

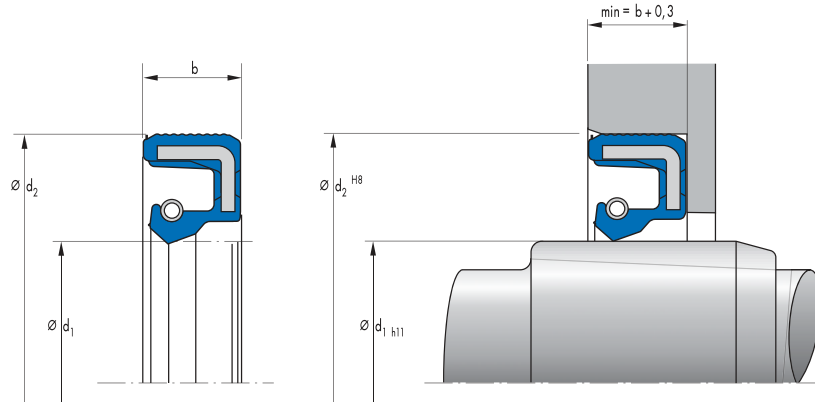


d ₁	d ₂	b	DIN 3761	Outer surface	Pressure	Material	Type	Article No.	
30,00	47,00	10,00	A	smooth	0,05	72 NBR 902	BAU	7716	○
30,00	48,00	6,50	A	metal	un-pressurised	80 FKM 177459	MSC 02	508608	●
30,00	48,00	6,50	A	metal	un-pressurised	80 NBR 177458	MSC 02	508632	●
30,00	48,00	7,00	A	grooved	0,05	75 FKM 585	BAUMX7	478615	●
30,00	48,00	8,00	A	grooved	0,02	72 NBR 902	BAFUDX7	335179	●
30,00	48,00	8,00	AS	grooved	0,05	75 FKM 585	BAUMSLX7	476383	●
30,00	48,00	10,00	B	metal	0,05	72 NBR 902	B1	19738	●
30,00	48,00	10,00	C	metal	0,05	72 NBR 902	B2	22926	●
30,00	48,00	10,00	A	smooth	0,05	72 NBR 902	BA	7729	●
30,00	50,00	7,00	B	metal	0,02	72 NBR 902	B1FUD	334266	●
30,00	50,00	7,00	A	grooved	0,05	75 FKM 585	BAUMX7	400726	●
30,00	50,00	7,00	C	metal	up to 1 MPa	PTFE F56101	B2PT	406621	●
30,00	50,00	7,00	AS	smooth	*	72 NBR 902	BABSL	49019367	●
30,00	50,00	7,00	A	smooth	0,02	72 NBR 902	BAFUD	532620	●
30,00	50,00	8,00	A	smooth	0,02	72 NBR 902	BAFUD	12010884	●
30,00	50,00	9,00	C	metal	0,02	72 NBR 902	B2FUD	334656	●
30,00	50,00	10,00	C	metal	0,02	72 NBR 902	B2FUD	334361	●
30,00	50,00	10,00	B	metal	0,02	72 NBR 902	B1FUD	334655	●
30,00	50,00	10,00	AS	grooved	0,02	72 NBR 902	BAFUDSLX7	335184	●
30,00	50,00	10,00	A	smooth	0,05	72 NBR 902	BA	7741	●
30,00	50,00	10,00	A	smooth	0,05	72 NBR 902	BAU	7742	●
30,00	50,00	12,00	B	metal	0,05	72 NBR 902	B1USL	20129	●
30,00	50,00	12,00	B	metal	0,02	72 NBR 902	B1FUD	334269	●
30,00	50,00	12,00	C	metal	0,02	72 NBR 902	B2FUD	334657	●
30,00	52,00	6,00	AS	smooth	0,05	72 NBR 902	BAUSLX2	522129	●
30,00	52,00	6,00	AS	smooth	0,05	75 FKM 585	BAUMSL	522920	●
30,00	52,00	6,00	-	smooth	0,05	75 FKM 585	MSS 1	49011594	●
30,00	52,00	6,00	-	smooth	0,05	72 NBR 902	MSS 1	528998	●
30,00	52,00	7,00	B	metal	0,02	72 NBR 902	B1FUD	334374	●
30,00	52,00	7,00	AS	smooth	*	72 NBR 902	BABSL	396855	●
30,00	52,00	7,00	A	grooved	0,05	75 FKM 585	BAUMX7	400453	●
30,00	52,00	7,00	AS	grooved	0,05	75 FKM 585	BAUMSLX7	410116	●
30,00	52,00	7,00	AS	smooth	0,05	72 NBR 902	BAUSLX2	524704	●
30,00	52,00	7,00	A	smooth	0,05	72 NBR 902	BAUX2	529401	●
30,00	52,00	8,00	A	smooth	0,05	72 NBR 902	BAU	31709	●
30,00	52,00	9,00	C	metal	0,02	72 NBR 902	B2FUD	334691	●

● Available from stock ○ On request: Tool is available, delivery at short notice * → Diagram 2, page 18

d ₁	d ₂	b	DIN 3761	Outer surface	Pressure	Material	Type	Article No.	
30,00	52,00	9,00	CS	metal	0,05	72 NBR 902	B2SL	34894	●
30,00	52,00	10,00	A	grooved	0,02	72 NBR 902	BAFUDX7	334293	●
30,00	52,00	10,00	B	metal	0,02	72 NBR 902	B1FUD	334686	●
30,00	52,00	10,00	C	metal	0,02	72 NBR 902	B2FUD	334690	●
30,00	52,00	10,00	BS	metal	0,02	72 NBR 902	B1FUDSL	355630	●
30,00	52,00	10,00	AS	smooth	0,05	72 NBR 902	BAUSLX2	526319	●
30,00	52,00	12,00	B	metal	0,05	72 NBR 902	B1USL	20130	●
30,00	52,00	12,00	C	metal	0,02	72 NBR 902	B2FUD	334334	●
30,00	52,00	12,00	B	metal	0,02	72 NBR 902	B1FUD	334685	●
30,00	52,00	12,00	A	smooth	0,05	72 NBR 902	BA	7758	●
30,00	55,00	7,00	AS	grooved	0,05	75 FKM 585	BAUMSLX7	477661	●
30,00	55,00	7,00	AS	smooth	0,05	72 NBR 902	BAUSLX2	478774	●
30,00	55,00	7,00	A	smooth	0,05	72 NBR 902	BAUX2	529837	●
30,00	55,00	10,00	A	grooved	0,02	72 NBR 902	BAFUDX7	334232	●
30,00	55,00	10,00	A	smooth	0,05	72 NBR 902	BAUX2	531106	●
30,00	55,00	10,00	A	smooth	0,05	72 NBR 902	BAUSL	7767	●
30,00	55,00	12,00	B	metal	0,05	72 NBR 902	B1	19745	●
30,00	56,00	10,00	C	metal	0,05	72 NBR 902	B2U	22932	●
30,00	56,00	10,00	A	smooth	0,05	72 NBR 902	BAU	7772	●
30,00	56,00	12,00	C	metal	0,05	72 NBR 902	B2	22933	●
30,00	60,00	10,00	A	smooth	0,05	72 NBR 902	BA	7775	●
30,00	62,00	6,00	B	metal	0,05	72 NBR 902	B1U	19429	●
30,00	62,00	7,00	BS	metal	0,02	72 NBR 902	B1FUDSL	355466	●
30,00	62,00	7,00	A	grooved	0,05	75 FKM 585	BAUMX7	400456	●
30,00	62,00	7,00	AS	grooved	0,05	72 NBR 902	BAUSLX7	478773	●
30,00	62,00	7,00	A	smooth	0,05	72 NBR 902	BAUX2	524703	●
30,00	62,00	7,00	AS	grooved	0,05	75 FKM 585	BAUMSLX7	531232	●
30,00	62,00	9,00	C	metal	0,02	72 NBR 902	B2FUD	334914	●
30,00	62,00	10,00	A	grooved	0,02	72 NBR 902	BAFUDX7	334294	●
30,00	62,00	10,00	C	metal	0,02	72 NBR 902	B2FUD	334915	●
30,00	62,00	12,00	C	metal	0,02	72 NBR 902	B2FUD	334916	●
30,00	62,00	12,00	B	metal	0,02	72 NBR 902	B1FUD	334948	●
30,00	62,00	12,00	A	smooth	0,05	72 NBR 902	BAU	7783	●
30,00	62,00	14,00	A	smooth	0,05	72 NBR 902	BADUO	7786	○
30,00	72,00	8,00	B	metal	0,05	72 NBR 902	B1U	340620	●
30,00	72,00	10,00	C	metal	0,02	72 NBR 902	B2FUD	334356	●
30,00	72,00	10,00	A	grooved	0,05	75 FKM 585	BAUMX7	432764	●
30,00	72,00	10,00	A	smooth	0,05	72 NBR 902	BAUX2	49009357	●
30,00	72,00	10,00	A	smooth	0,02	72 NBR 902	BAFUD	523408	●
30,00	72,00	10,00	AS	smooth	0,05	72 NBR 902	BAUSLX2	524141	●
30,00	72,00	10,00	A	smooth	0,05	72 NBR 902	BA	7788	○
31,00	42,00	8,00	A	grooved	0,02	72 NBR 902	BAFUDX7	520468	●
31,00	47,00	10,00	C	metal	0,05	72 NBR 902	B2	22711	○
31,00	52,00	7,00	A	smooth	0,02	72 NBR 902	BAFUD	523556	●
31,00	52,00	9,50	A	smooth	0,05	72 NBR 902	BAUX2	475754	○
31,75	44,45	6,35	AS	smooth	*	72 NBR 902	BABSL	81721	●
32,00	42,00	7,00	A	smooth	0,02	72 NBR 902	BAFUD	12010894	●
32,00	42,00	7,00	B	metal	0,05	72 NBR 902	B1	19436	●
32,00	42,00	7,00	A	grooved	0,05	75 FKM 585	BAUMX7	402911	●
32,00	42,00	7,00	AS	grooved	0,05	75 FKM 585	BAUMSLX7	450967	●

● Available from stock ○ On request: Tool is available, delivery at short notice * → Diagram 2, page 18

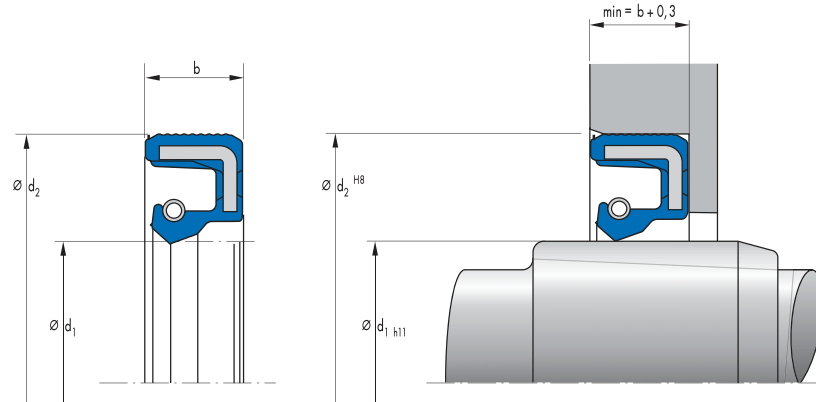


d ₁	d ₂	b	DIN 3761	Outer surface	Pressure	Material	Type	Article No.	
32,00	44,00	8,00	AS	smooth	*	72 NBR 902	BABSL	69442	●
32,00	45,00	6,00	A	smooth	0,05	72 NBR 902	BA	7798	●
32,00	45,00	7,00	A	grooved	0,02	72 NBR 902	BAFUDX7	334305	●
32,00	45,00	7,00	B	metal	0,02	72 NBR 902	B1FUD	346127	●
32,00	45,00	7,00	A	smooth	0,05	72 NBR 902	BAUX2	49032838	●
32,00	45,00	7,00	A	smooth	0,05	75 FKM 595	BAUM	520083	○
32,00	45,00	7,00	AS	smooth	0,02	72 NBR 902	BAFUDSL	523419	●
32,00	47,00	6,00	AS	smooth	*	75 FKM 595	BABSL	418674	●
32,00	47,00	6,00	AS	smooth	*	75 FKM 595	BABSL	49033017	●
32,00	47,00	6,00	AS	smooth	*	72 NBR 902	BABSL	910	●
32,00	47,00	7,00	A	grooved	0,05	75 FKM 585	BAUMX7	400458	●
32,00	47,00	7,00	AS	grooved	0,05	75 FKM 585	BAUMSLX7	407132	●
32,00	47,00	7,00	B	metal	0,02	72 NBR 902	B1FUD	423370	●
32,00	47,00	7,00	A	smooth	0,05	72 NBR 902	BAUX2	49017474	●
32,00	47,00	8,00	C	metal	up to 1 MPa	PTFE F56101	B2PT	406650	●
32,00	47,00	8,50	B	metal	0,05	72 NBR 902	B1U	19440	●
32,00	47,00	9,00	C	metal	0,05	72 NBR 902	B2U	2484	●
32,00	47,00	10,00	B	metal	0,05	72 NBR 902	B1	19750	●
32,00	47,00	10,00	C	metal	0,05	72 NBR 902	B2U	22714	●
32,00	47,00	10,00	BS	metal	0,02	72 NBR 902	B1FUDSL	355465	●
32,00	47,00	10,00	A	smooth	0,05	72 NBR 902	BAU	7811	●
32,00	48,00	8,00	A	smooth	0,05	72 NBR 902	BA	343302	○
32,00	48,00	8,00	A	smooth	0,05	72 NBR 902	BA	7815	●
32,00	49,00	4,50	A	metal	un-pressurised	80 NBR 177458	MSC 01	508527	●
32,00	49,00	4,50	A	metal	un-pressurised	80 FKM 177459	MSC 01	508575	●
32,00	50,00	7,00	B	metal	0,05	72 NBR 902	B1	19443	●
32,00	50,00	7,00	A	grooved	0,05	75 FKM 585	BAUMX7	410778	●
32,00	50,00	8,00	A	smooth	0,05	72 NBR 902	BAU	32679	●
32,00	50,00	10,00	C	metal	0,05	72 NBR 902	B2U	22715	●
32,00	50,00	10,00	AS	grooved	0,05	75 FKM 585	BAUMSLX7	523389	●
32,00	50,00	10,00	A	smooth	0,05	72 NBR 902	BA	7821	●
32,00	50,00	10,00	A	smooth	0,05	72 NBR 902	BAUSL	7822	●
32,00	50,00	12,00	C	metal	0,05	72 NBR 902	B2U	22942	●
32,00	52,00	5,00	A	smooth	0,02	72 NBR 902	BAFUD	12010897	●
32,00	52,00	6,00	AS	smooth	*	72 NBR 902	BABSL	345348	●
32,00	52,00	6,50	BS	metal	0,05	72 NBR 902	B1SL	20085	○

● Available from stock ○ On request: Tool is available, delivery at short notice * → Diagram 2, page 18

d ₁	d ₂	b	DIN 3761	Outer surface	Pressure	Material	Type	Article No.	
32,00	52,00	7,00	B	metal	0,02	72 NBR 902	B1FUD	355631	●
32,00	52,00	7,00	A	grooved	0,05	75 FKM 585	BAUMX7	400754	●
32,00	52,00	7,00	A	smooth	0,05	72 NBR 902	BAUSL	414644	●
32,00	52,00	7,00	AS	smooth	0,05	72 NBR 902	BAUSLX2	49035052	●
32,00	52,00	7,00	AS	grooved	0,05	75 FKM 585	BAUMSLX7	521226	●
32,00	52,00	7,00	A	smooth	0,05	72 NBR 902	BAUX2	524454	●
32,00	52,00	9,00	C	metal	0,02	72 NBR 902	B2FUD	334673	●
32,00	52,00	10,00	AS	smooth	0,02	72 NBR 902	BAFUDSL	12015221	●
32,00	52,00	10,00	B	metal	0,02	72 NBR 902	B1FUD	334270	●
32,00	52,00	10,00	C	metal	0,02	72 NBR 902	B2FUD	334335	●
32,00	52,00	10,00	A	smooth	0,05	72 NBR 902	BA	7833	●
32,00	52,00	12,00	BS	metal	0,05	72 NBR 902	B1SL	20132	●
32,00	52,00	12,00	C	metal	0,02	72 NBR 902	B2FUD	334345	●
32,00	55,00	10,00	A	smooth	0,05	72 NBR 902	BA	7838	●
32,00	55,00	12,00	C	metal	0,05	72 NBR 902	B2	22945	●
32,00	56,00	10,00	A	smooth	0,02	72 NBR 902	BAFUD	12000162	●
32,00	56,00	10,00	A	smooth	0,05	72 NBR 902	BAUSL	7842	●
32,00	56,00	12,00	C	metal	0,05	72 NBR 902	B2	22947	○
32,00	62,00	7,00	A	smooth	0,05	72 NBR 902	BA	371152	●
32,00	62,00	10,00	C	metal	0,05	72 NBR 902	B2	22949	●
32,00	62,00	10,00	AS	grooved	0,05	72 NBR 902	BAUSLX27	451928	●
32,00	62,00	10,00	AS	smooth	0,05	75 FKM 585	BAUMSL	49011963	●
32,00	62,00	10,00	A	smooth	0,05	72 NBR 902	BA	7850	●
32,00	65,00	12,00	C	metal	0,05	72 NBR 902	B2	22951	●
32,00	72,00	12,00	C	metal	0,05	72 NBR 902	B2	22952	●
32,00	80,00	12,00	AS	smooth	0,05	72 NBR 902	BAUSLX2	520528	●
33,00	45,00	7,00	AS	grooved	0,02	72 NBR 902	BAFUDSLX7	397855	○
33,00	45,00	7,00	A	smooth	0,05	72 NBR 902	BAU	7856	●
33,00	50,00	6,00	AS	smooth	0,02	72 NBR 902	BAFUDSL	12011140	●
33,00	50,00	8,00	A	smooth	0,05	72 NBR 902	BA	7862	●
33,00	50,00	10,00	AS	smooth	0,02	72 NBR 902	BAFUDSL	12011141	○
33,00	50,00	10,00	C	metal	0,05	72 NBR 902	B2U	22953	●
33,00	52,00	6,00	A	smooth	0,02	72 NBR 902	BAFUD	12010900	●
33,00	52,00	10,00	C	metal	0,05	72 NBR 902	B2U	22955	●
33,00	52,00	10,00	A	smooth	0,05	72 NBR 902	BA	7875	●
33,00	55,00	7,00	B	metal	0,05	72 NBR 902	B1U	149452	○
34,00	45,00	7,00	B	metal	0,05	72 NBR 902	B1	20275	●
34,00	46,00	8,00	A	smooth	0,05	72 NBR 902	BA	49002841	●
34,00	47,00	9,00	B	metal	0,05	72 NBR 902	B1	19445	●
34,00	49,30	9,50	B	metal	0,05	72 NBR 902	B1U	19756	●
34,00	50,00	10,00	C	metal	0,05	72 NBR 902	B2U	22717	●
34,00	50,00	10,00	A	smooth	0,05	72 NBR 902	BA	7920	●
34,00	52,00	7,00	B	metal	0,05	72 NBR 902	B1	19447	●
34,00	52,00	7,00	AS	smooth	0,05	72 NBR 902	BAUSLX2	520466	●
34,00	52,00	7,00	A	smooth	0,05	72 NBR 902	BAUX2	521284	●
34,00	52,00	8,00	B	metal	0,05	72 NBR 902	B1U	19448	●
34,00	52,00	8,00	A	smooth	0,05	72 NBR 902	BAU	7921	●
34,00	52,00	10,00	AS	smooth	0,02	72 NBR 902	BAFUDSL	12011142	●
34,00	52,00	10,00	C	metal	0,05	72 NBR 902	B2	22963	●
34,00	52,00	10,00	A	smooth	0,05	72 NBR 902	BAU	7926	●

● Available from stock ○ On request: Tool is available, delivery at short notice * → Diagram 2, page 18

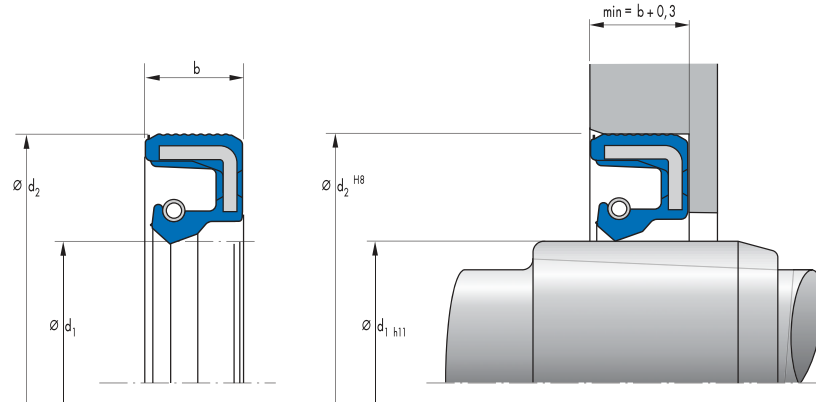


d ₁	d ₂	b	DIN 3761	Outer surface	Pressure	Material	Type	Article No.	
34,00	58,00	13,00	C	metal	0,05	72 NBR 902	B2	22965	●
34,00	62,00	10,00	C	metal	0,05	72 NBR 902	B2	22966	○
34,00	62,00	10,00	A	smooth	0,05	72 NBR 902	BA	7931	●
34,00	72,00	12,00	C	metal	0,05	72 NBR 902	B2	22968	●
35,00	45,00	7,00	A	smooth	0,05	72 NBR 902	BA	143444	●
35,00	45,00	7,00	B	metal	0,02	72 NBR 902	B1FUD	334380	●
35,00	45,00	7,00	BS	metal	0,02	72 NBR 902	B1FUDSL	346129	●
35,00	45,00	7,00	A	grooved	0,05	75 FKM 585	BAUMX7	402913	●
35,00	47,00	4,50	AS	smooth	0,05	72 NBR 902	BAUSLX2	478057	●
35,00	47,00	4,50	A	smooth	0,05	72 NBR 902	BAUX2	478767	●
35,00	47,00	4,50	A	smooth	0,05	75 FKM 585	BAUM	521388	●
35,00	47,00	6,00	AS	smooth	*	72 NBR 902	BABSL	12001688	●
35,00	47,00	6,00	B	metal	0,05	72 NBR 902	B1U	19459	●
35,00	47,00	6,00	AS	smooth	*	75 FKM 595	BABSL	418676	●
35,00	47,00	7,00	A	smooth	0,05	75 FKM 595	BAUM	121904	○
35,00	47,00	7,00	AS	smooth	0,05	75 FKM 585	BAUMSL	305066	○
35,00	47,00	7,00	BS	metal	0,02	72 NBR 902	B1FUDSL	334280	●
35,00	47,00	7,00	B	metal	0,02	72 NBR 902	B1FUD	355463	●
35,00	47,00	7,00	A	grooved	0,05	75 FKM 585	BAUMX7	388048	●
35,00	47,00	7,00	AS	grooved	0,05	75 FKM 585	BAUMSLX7	478651	●
35,00	47,00	7,00	A	smooth	0,05	72 NBR 902	BAUX2	478754	●
35,00	47,00	7,00	AS	smooth	0,05	72 NBR 902	BAUSLX2	478775	●
35,00	47,00	8,00	C	metal	up to 1 MPa	PTFE F56101	B2PT	406651	●
35,00	47,00	10,00	B	metal	0,05	72 NBR 902	B1U	19463	●
35,00	48,00	7,00	AS	grooved	0,05	75 FKM 585	BAUMSLX7	410779	●
35,00	49,30	9,50	B	metal	0,05	72 NBR 902	B1U	19464	●
35,00	49,30	9,50	A	smooth	0,05	72 NBR 902	BA	7970	●
35,00	50,00	7,00	AS	smooth	*	72 NBR 902	BABSL	12011521	●
35,00	50,00	7,00	B	metal	0,02	72 NBR 902	B1FUD	335008	●
35,00	50,00	7,00	A	grooved	0,02	72 NBR 902	BAFUDX7	355627	●
35,00	50,00	7,00	A	grooved	0,05	75 FKM 585	BAUMX7	400759	●
35,00	50,00	7,00	AS	grooved	0,05	75 FKM 585	BAUMSLX7	429489	●
35,00	50,00	8,00	C	metal	up to 1 MPa	PTFE F56101	B2PT	406652	●
35,00	50,00	8,00	AS	smooth	0,05	72 NBR 902	BAUSLX2	49023892	●
35,00	50,00	9,00	C	metal	0,02	72 NBR 902	B2FUD	335011	●
35,00	50,00	10,00	B	metal	0,02	72 NBR 902	B1FUD	335009	●

● Available from stock ○ On request: Tool is available, delivery at short notice * → Diagram 2, page 18

d ₁	d ₂	b	DIN 3761	Outer surface	Pressure	Material	Type	Article No.	
35,00	50,00	10,00	C	metal	0,02	72 NBR 902	B2FUD	335010	●
35,00	50,00	10,00	BS	metal	0,02	72 NBR 902	B1FUDSL	335099	●
35,00	50,00	10,00	A	smooth	0,05	72 NBR 902	BAU	7976	●
35,00	50,00	12,00	BS	metal	0,05	72 NBR 902	B1SL	20090	●
35,00	50,00	12,00	C	metal	0,02	72 NBR 902	B2FUD	335476	●
35,00	52,00	4,50	A	metal	un-pressurised	80 NBR 177458	MSC 01	508528	●
35,00	52,00	4,50	A	metal	un-pressurised	80 FKM 177459	MSC 01	508576	●
35,00	52,00	6,00	AS	smooth	*	72 NBR 902	BABSL	3004	●
35,00	52,00	6,00	AS	smooth	*	75 FKM 595	BABSL	418688	●
35,00	52,00	6,00	AS	smooth	*	72 NBR 902	BABSL	436315	○
35,00	52,00	7,00	B	metal	0,02	72 NBR 902	B1FUD	334271	●
35,00	52,00	7,00	A	grooved	0,05	75 FKM 585	BAUMX7	403081	●
35,00	52,00	7,00	A	smooth	0,05	72 NBR 902	BAUX2	478467	●
35,00	52,00	7,00	AS	grooved	0,05	75 FKM 585	BAUMSLX7	521006	●
35,00	52,00	7,00	AS	smooth	0,05	72 NBR 902	BAUSLX2	526079	●
35,00	52,00	7,00	AS	smooth	0,05	72 NBR 902	BAUSLX2	529399	○
35,00	52,00	8,00	C	metal	up to 1 MPa	PTFE F56101	B2PT	406653	●
35,00	52,00	9,00	C	metal	0,02	72 NBR 902	B2FUD	334917	●
35,00	52,00	9,00	CS	metal	0,05	72 NBR 902	B2USL	34895	●
35,00	52,00	10,00	A	smooth	0,05	72 NBR 902	BAU	307255	○
35,00	52,00	10,00	B	metal	0,02	72 NBR 902	B1FUD	334272	●
35,00	52,00	10,00	A	grooved	0,02	72 NBR 902	BAFUDX7	334307	●
35,00	52,00	10,00	C	metal	0,02	72 NBR 902	B2FUD	334918	●
35,00	52,00	10,00	AS	grooved	0,05	72 NBR 902	BAUSLX27	451929	●
35,00	52,00	10,00	AS	smooth	0,05	72 NBR 902	BAUSLX2	49036047	●
35,00	52,00	10,00	A	smooth	0,05	72 NBR 902	BA	523557	●
35,00	52,00	12,00	B	metal	0,05	72 NBR 902	B1USL	20135	●
35,00	52,00	12,00	B	metal	0,02	72 NBR 902	B1FUD	334273	●
35,00	52,00	12,00	C	metal	0,02	72 NBR 902	B2FUD	334919	●
35,00	53,00	6,50	A	metal	un-pressurised	80 FKM 177459	MSC 02	508609	●
35,00	53,00	6,50	A	metal	un-pressurised	80 NBR 177458	MSC 02	508633	●
35,00	55,00	7,00	AS	grooved	0,05	75 FKM 585	BAUMSLX7	410780	●
35,00	55,00	7,00	A	grooved	0,05	75 FKM 585	BAUMX7	526017	●
35,00	55,00	7,50	A	smooth	0,05	75 FKM 585	BAUM	49036525	○
35,00	55,00	8,00	A	grooved	0,02	72 NBR 902	BAFUDX7	355625	●
35,00	55,00	8,00	C	metal	up to 1 MPa	PTFE F56101	B2PT	406698	●
35,00	55,00	10,00	A	smooth	0,05	72 NBR 902	BAUSL	301731	○
35,00	55,00	10,00	A	smooth	0,05	72 NBR 902	BAU	8008	●
35,00	55,00	11,00	AS	smooth	0,02	72 NBR 902	BAFUDSL	12011146	●
35,00	55,00	12,00	B	metal	0,05	72 NBR 902	B1	19765	●
35,00	55,00	12,00	C	metal	0,05	72 NBR 902	B2	22974	●
35,00	55,50	9,00	B	metal	0,05	72 NBR 902	B1U	19467	●
35,00	56,00	8,00	A	smooth	0,02	72 NBR 902	BAFUD	523407	●
35,00	56,00	10,00	B	metal	0,05	72 NBR 902	B1U	19766	●
35,00	56,00	10,00	B	metal	0,05	72 NBR 902	B1USL	20136	●
35,00	56,00	10,00	C	metal	0,05	72 NBR 902	B2U	22975	●
35,00	56,00	10,00	A	smooth	0,05	72 NBR 902	BAU	8018	●
35,00	56,00	12,00	B	metal	0,05	72 NBR 902	B1U	19767	●
35,00	56,00	12,00	BS	metal	0,05	72 NBR 902	B1SL	20137	●
35,00	56,00	12,00	C	metal	0,05	72 NBR 902	B2U	22976	●

● Available from stock ○ On request: Tool is available, delivery at short notice * → Diagram 2, page 18

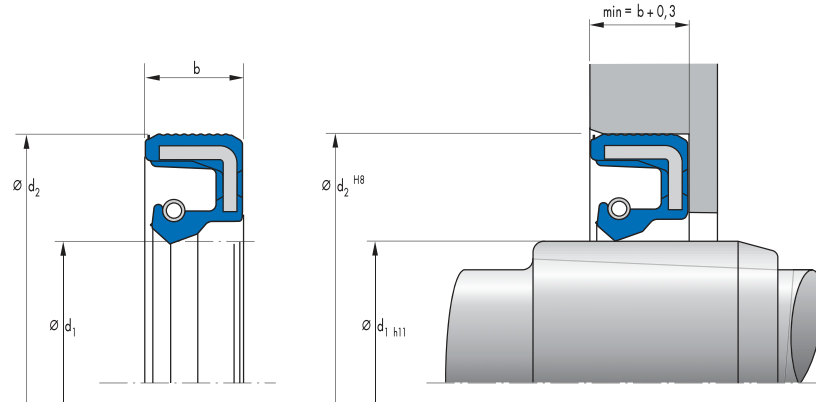


d_1	d_2	b	DIN 3761	Outer surface	Pressure	Material	Type	Article No.	
35,00	56,00	12,00	A	smooth	0,05	72 NBR 902	BA	8021	●
35,00	58,00	10,00	A	smooth	0,02	72 NBR 902	BAFUD	12010911	●
35,00	58,00	13,00	C	metal	0,05	72 NBR 902	B2	22977	●
35,00	58,00	13,00	A	smooth	0,05	72 NBR 902	BA	8032	●
35,00	60,00	10,00	A	smooth	0,02	72 NBR 902	BAFUD	12010912	●
35,00	60,00	10,00	B	metal	0,05	72 NBR 902	B1	19769	●
35,00	60,00	10,00	C	metal	0,05	72 NBR 902	B2	22978	●
35,00	60,00	12,00	C	metal	0,05	72 NBR 902	B2	22980	●
35,00	62,00	7,00	B	metal	0,02	72 NBR 902	B1FUD	335187	●
35,00	62,00	7,00	A	grooved	0,05	75 FKM 585	BAUMX7	400459	●
35,00	62,00	7,00	AS	grooved	0,05	75 FKM 585	BAUMSLX7	477670	●
35,00	62,00	7,00	AS	smooth	0,05	72 NBR 902	BAUSLX2	521678	●
35,00	62,00	7,00	A	smooth	0,05	72 NBR 902	BAUX2	524700	●
35,00	62,00	8,00	B	metal	0,02	72 NBR 902	B1FUD	335973	●
35,00	62,00	8,00	C	metal	up to 1 MPa	PTFE F56101	B2PT	406699	●
35,00	62,00	8,00	AS	smooth	0,05	72 NBR 902	BAUSLX2	477145	●
35,00	62,00	8,00	AS	smooth	0,05	75 FKM 585	BAUMSL	477146	●
35,00	62,00	8,00	-	smooth	0,05	72 NBR 902	MSS 1	525414	●
35,00	62,00	8,00	-	smooth	0,05	75 FKM 585	MSS 1	525445	●
35,00	62,00	8,00	-	smooth	0,05	72 NBR 902	MSS 7	477277	●
35,00	62,00	9,00	C	metal	0,02	72 NBR 902	B2FUD	335998	●
35,00	62,00	10,00	B	metal	0,02	72 NBR 902	B1FUD	335974	●
35,00	62,00	10,00	C	metal	0,02	72 NBR 902	B2FUD	335997	●
35,00	62,00	10,00	A	grooved	0,02	72 NBR 902	BAFUDX7	355435	●
35,00	62,00	10,00	AS	grooved	0,05	72 NBR 902	BAUSLX27	49001657	●
35,00	62,00	10,00	A	smooth	0,05	72 NBR 902	BA	8049	●
35,00	62,00	12,00	B	metal	0,05	72 NBR 902	B1U	19772	●
35,00	62,00	12,00	B	metal	0,05	72 NBR 902	B1USL	20138	●
35,00	62,00	12,00	C	metal	0,02	72 NBR 902	B2FUD	335996	●
35,00	62,00	12,00	A	smooth	0,05	72 NBR 902	BAUSL	8055	●
35,00	62,00	14,00	A	smooth	0,05	75 FKM 595	BADUO	338716	○
35,00	62,00	14,00	A	smooth	0,05	72 NBR 902	BADUO	8058	○
35,00	65,00	10,00	C	metal	0,05	72 NBR 902	B2U	22983	●
35,00	65,00	10,00	A	smooth	0,05	72 NBR 902	BAUSL	396063	●
35,00	65,00	10,00	A	smooth	0,05	72 NBR 902	BA	8060	●
35,00	68,00	10,00	AS	smooth	0,05	72 NBR 902	BAUSLX2	522766	●

● Available from stock ○ On request: Tool is available, delivery at short notice * → Diagram 2, page 18

d ₁	d ₂	b	DIN 3761	Outer surface	Pressure	Material	Type	Article No.	
35,00	70,00	12,00	C	metal	0,05	72 NBR 902	B2U	22985	●
35,00	72,00	7,00	A	grooved	0,05	75 FKM 585	BAUMX7	400466	●
35,00	72,00	7,00	A	grooved	0,02	72 NBR 902	BAFUDX7	407517	●
35,00	72,00	7,00	AS	smooth	0,05	75 FKM 585	BAUMSL	49012066	●
35,00	72,00	10,00	A	smooth	0,02	72 NBR 902	BAFUD	12010915	●
35,00	72,00	10,00	AS	smooth	0,02	72 NBR 902	BAFUDSL	12013421	●
35,00	72,00	10,00	A	smooth	0,05	72 NBR 902	BAUX2	49037523	●
35,00	72,00	10,00	AS	smooth	0,05	72 NBR 902	BAUSLX2	49037524	●
35,00	72,00	12,00	C	metal	0,02	72 NBR 902	B2FUD	334920	●
35,00	72,00	12,00	B	metal	0,02	72 NBR 902	B1FUD	334956	●
35,00	72,00	12,00	AS	smooth	0,05	72 NBR 902	BASL	35525	●
35,00	72,00	12,00	A	grooved	0,02	72 NBR 902	BAFUDX7	355478	●
35,00	80,00	10,00	AS	smooth	0,02	72 NBR 902	BAFUDSL	12000498	●
35,00	80,00	12,00	A	smooth	0,05	72 NBR 902	BAUX2	524507	●
35,00	80,00	13,00	C	metal	0,02	72 NBR 902	B2FUD	334921	●
35,00	80,00	13,00	A	smooth	0,05	75 FKM 585	BAUM	49012064	●
36,00	47,00	7,00	B	metal	0,05	72 NBR 902	B1	20250	●
36,00	47,00	7,00	A	smooth	0,05	72 NBR 902	BA	3441	●
36,00	47,00	7,00	A	grooved	0,05	75 FKM 585	BAUMX7	403084	●
36,00	50,00	7,00	B	metal	0,05	72 NBR 902	B1	31481	●
36,00	50,00	7,00	A	grooved	0,02	72 NBR 902	BAFUDX7	355476	●
36,00	50,00	7,00	AS	grooved	0,05	75 FKM 585	BAUMSLX7	410183	●
36,00	50,00	10,00	A	smooth	0,05	72 NBR 902	BA	8074	●
36,00	52,00	7,00	B	metal	0,05	72 NBR 902	B1U	19470	●
36,00	52,00	7,00	A	grooved	0,05	75 FKM 585	BAUMX7	410781	●
36,00	52,00	7,00	B	metal	0,05	72 NBR 902	B1U	424793	○
36,00	52,00	7,00	A	smooth	0,05	72 NBR 902	BAUX2	49009240	●
36,00	52,00	9,00	B	metal	0,05	72 NBR 902	B1	19471	●
36,00	52,00	9,00	C	metal	0,05	72 NBR 902	B2	2865	●
36,00	54,00	7,00	A	smooth	0,05	72 NBR 902	BAUX2	533282	●
36,00	56,00	10,00	C	metal	0,05	72 NBR 902	B2	22988	●
36,00	56,00	10,00	A	smooth	0,05	72 NBR 902	BAU	8083	●
36,00	56,00	12,00	C	metal	0,05	72 NBR 902	B2	22720	●
36,00	58,00	10,00	B	metal	0,05	72 NBR 902	B1	20316	●
36,00	62,00	7,00	AS	grooved	0,02	72 NBR 902	BAFUDSLX7	12014769	●
36,00	62,00	7,00	A	smooth	0,05	72 NBR 902	BA	18265	●
36,00	62,00	9,00	C	metal	0,05	72 NBR 902	B2	18224	●
36,00	62,00	10,00	C	metal	0,05	72 NBR 902	B2	22721	●
36,00	62,00	12,00	C	metal	0,05	72 NBR 902	B2	22991	●
36,00	68,00	10,00	AS	smooth	0,05	72 NBR 902	BAUSLX2	475374	●
36,00	72,00	12,00	C	metal	0,05	72 NBR 902	B2	22993	●
37,00	52,00	8,00	B	metal	0,05	75 FKM 595	B1USL	330557	○
37,00	52,00	8,00	A	smooth	0,05	72 NBR 902	BAU	8112	●
37,00	52,00	10,00	C	metal	0,05	72 NBR 902	B2U	20711	●
37,00	56,00	10,00	C	metal	0,05	72 NBR 902	B2	27478	●
37,00	58,00	13,00	C	metal	0,05	72 NBR 902	B2	23496	●
37,00	62,00	8,00	B	metal	0,05	72 NBR 902	B1U	425353	○
37,00	62,00	9,00	C	metal	0,05	72 NBR 902	B2U	22996	●
37,00	62,00	10,00	A	smooth	0,05	72 NBR 902	BA	8118	●
37,00	62,00	12,00	C	metal	0,05	72 NBR 902	B2	22997	○

● Available from stock ○ On request: Tool is available, delivery at short notice * → Diagram 2, page 18

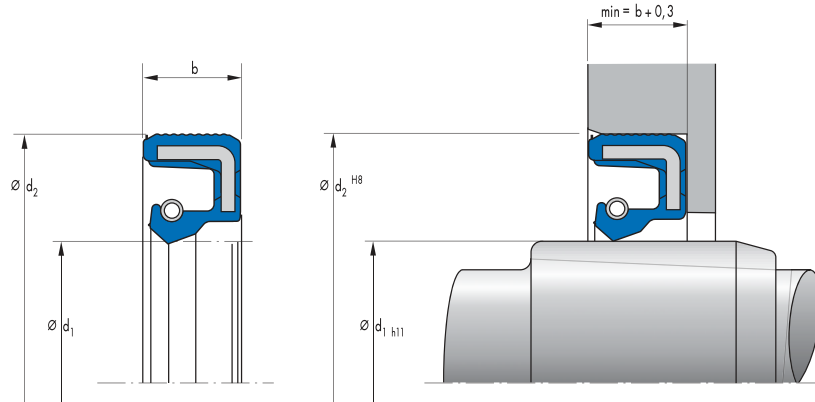


d_1	d_2	b	DIN 3761	Outer surface	Pressure	Material	Type	Article No.	
37,00	80,00	13,00	C	metal	0,05	72 NBR 902	B2U	22999	●
38,00	50,00	6,00	AS	smooth	*	72 NBR 902	BABSL	523552	●
38,00	50,00	7,00	B	metal	0,05	72 NBR 902	B1USL	20093	●
38,00	50,00	7,00	B	metal	0,05	72 NBR 902	B1U	20372	●
38,00	50,00	7,00	A	grooved	0,02	72 NBR 902	BAFUDX7	334309	●
38,00	50,00	7,00	A	grooved	0,05	75 FKM 585	BAUMX7	410782	●
38,00	52,00	7,00	B	metal	0,05	72 NBR 902	B1USL	13610	●
38,00	52,00	7,00	B	metal	0,02	72 NBR 902	B1FUD	334371	●
38,00	52,00	7,00	A	grooved	0,05	75 FKM 585	BAUMX7	402914	●
38,00	52,00	7,00	AS	grooved	0,05	75 FKM 585	BAUMSLX7	410184	●
38,00	52,00	7,00	AS	smooth	0,05	72 NBR 902	BAUSLX2	49002810	●
38,00	52,00	7,00	A	smooth	0,05	72 NBR 902	BAUX2	49008124	●
38,00	52,00	8,00	A	smooth	0,05	72 NBR 902	BAU	17193	●
38,00	52,00	10,00	B	metal	0,02	72 NBR 902	B1FUD	334689	●
38,00	52,00	10,00	A	smooth	0,05	72 NBR 902	BAU	8135	●
38,00	54,00	6,50	A	smooth	0,05	72 NBR 902	BA	8137	●
38,00	54,00	10,00	B	metal	0,05	72 NBR 902	B1	19782	●
38,00	54,00	10,00	A	smooth	0,05	72 NBR 902	BA	8141	●
38,00	55,00	4,50	A	metal	un-pressurised	80 NBR 177458	MSC 01	508529	●
38,00	55,00	4,50	A	metal	un-pressurised	80 FKM 177459	MSC 01	508577	●
38,00	55,00	7,00	B	metal	0,05	72 NBR 902	B1U	2507	●
38,00	55,00	7,00	A	grooved	0,05	75 FKM 585	BAUMX7	388816	●
38,00	55,00	7,00	A	smooth	0,05	72 NBR 902	BA	49002526	●
38,00	55,00	8,00	C	metal	up to 1 MPa	PTFE F56101	B2PT	406700	●
38,00	55,00	9,00	C	metal	0,05	72 NBR 902	B2U	2486	●
38,00	55,00	10,00	C	metal	0,05	72 NBR 902	B2U	23000	●
38,00	55,00	10,00	A	smooth	0,05	72 NBR 902	BA	356911	○
38,00	55,00	10,00	AS	grooved	0,05	75 FKM 585	BAUMSLX7	476382	●
38,00	55,00	10,00	A	smooth	0,05	72 NBR 902	BAU	8145	●
38,00	55,00	12,00	C	metal	0,05	72 NBR 902	B2U	23001	●
38,00	56,00	10,00	C	metal	0,05	72 NBR 902	B2U	23002	●
38,00	56,00	10,00	AS	grooved	0,05	75 FKM 585	BAUMSLX7	49042633	●
38,00	56,00	10,00	A	smooth	0,05	72 NBR 902	BA	8150	●
38,00	56,00	12,00	B	metal	0,05	72 NBR 902	B1	19785	●
38,00	56,00	12,00	C	metal	0,05	72 NBR 902	B2	23003	●
38,00	58,00	10,00	A	smooth	0,05	72 NBR 902	BA	8151	●

● Available from stock ○ On request: Tool is available, delivery at short notice * → Diagram 2, page 18

d ₁	d ₂	b	DIN 3761	Outer surface	Pressure	Material	Type	Article No.	
38,00	60,00	7,00	A	grooved	0,05	75 FKM 585	BAUMX7	410783	●
38,00	60,00	10,00	C	metal	0,05	72 NBR 902	B2	23004	○
38,00	60,00	10,00	A	smooth	0,05	72 NBR 902	BAU	8153	●
38,00	62,00	7,00	A	smooth	0,05	72 NBR 902	BAU	13052	●
38,00	62,00	7,00	B	metal	0,02	72 NBR 902	B1FUD	334957	●
38,00	62,00	7,00	A	grooved	0,05	75 FKM 585	BAUMX7	400528	●
38,00	62,00	7,00	AS	grooved	0,05	75 FKM 585	BAUMSLX7	407134	●
38,00	62,00	9,00	C	metal	0,02	72 NBR 902	B2FUD	334922	●
38,00	62,00	10,00	C	metal	0,02	72 NBR 902	B2FUD	334923	●
38,00	62,00	10,00	A	smooth	0,05	72 NBR 902	BAU	8156	●
38,00	62,00	12,00	B	metal	0,02	72 NBR 902	B1FUD	334274	●
38,00	62,00	12,00	C	metal	0,02	72 NBR 902	B2FUD	334924	●
38,00	62,00	12,00	A	smooth	0,05	72 NBR 902	BA	8162	●
38,00	65,00	10,00	C	metal	0,05	72 NBR 902	B2	23008	●
38,00	65,00	10,00	A	smooth	0,05	72 NBR 902	BAUSL	325682	●
38,00	65,00	10,00	A	smooth	0,05	72 NBR 902	BA	8165	●
38,00	72,00	10,00	A	smooth	0,02	72 NBR 902	BAFUD	523550	●
38,00	72,00	12,00	C	metal	0,05	72 NBR 902	B2U	23012	●
38,00	72,00	12,00	A	smooth	0,05	72 NBR 902	BAU	302909	●
38,00	74,00	10,00	A	smooth	0,05	72 NBR 902	BAUSL	8167	●
38,00	80,00	12,00	A	smooth	0,05	72 NBR 902	BA	8169	●
38,00	90,00	12,00	A	grooved	0,05	72 NBR 902	BAUX27	453161	●
38,10	57,15	7,93	AS	smooth	*	72 NBR 902	BABSL	64843	●
38,10	57,15	9,50	B	metal	0,05	72 NBR 902	B1U	19476	●
39,00	52,00	6,50	B	metal	0,05	72 NBR 902	B1	7990	●
39,00	52,00	6,50	A	smooth	0,05	72 NBR 902	BA	8188	●
39,00	55,50	9,00	B	metal	0,05	72 NBR 902	B1U	19480	●
39,00	62,00	12,00	C	metal	0,05	72 NBR 902	B2	23016	●
40,00	47,00	4,00	B	metal	un-pressurised	72 NBR 902	B1OF	344693	●
40,00	47,00	4,00	BS	metal	0,05	72 NBR 902	B1USLX2	49005636	○
40,00	50,00	7,00	A	smooth	0,05	72 NBR 902	BAUX2	475178	●
40,00	52,00	6,00	A	grooved	0,02	72 NBR 902	BAFUDX7	334824	●
40,00	52,00	7,00	A	smooth	0,05	72 NBR 902	BAU	13255	○
40,00	52,00	7,00	B	metal	0,05	72 NBR 902	B1USL	20306	●
40,00	52,00	7,00	A	smooth	0,05	75 FKM 595	BAUM	30678	○
40,00	52,00	7,00	A	smooth	0,05	75 FKM 595	BAUM	310039	○
40,00	52,00	7,00	AS	smooth	*	72 NBR 902	BABSL	328911	●
40,00	52,00	7,00	B	metal	0,02	72 NBR 902	B1FUD	334276	●
40,00	52,00	7,00	BS	metal	0,02	72 NBR 902	B1FUDSL	355635	●
40,00	52,00	7,00	A	grooved	0,02	72 NBR 902	BAFUDX7	355639	●
40,00	52,00	7,00	A	grooved	0,05	75 FKM 585	BAUMX7	388077	●
40,00	52,00	7,00	A	smooth	0,05	72 NBR 902	BAUX2	49032729	●
40,00	52,00	7,00	AS	grooved	0,05	75 FKM 585	BAUMSLX7	521007	●
40,00	52,00	7,00	AS	smooth	0,05	72 NBR 902	BAUSLX2	525281	●
40,00	52,00	7,00	A	smooth	0,05	72 NBR 902	BAUX2	530339	○
40,00	52,00	7,00	AS	smooth	0,05	72 NBR 902	BASL	8222	●
40,00	52,00	8,00	C	metal	up to 1 MPa	PTFE F56101	B2PT	406701	●
40,00	52,00	8,00	A	smooth	0,05	72 NBR 902	BA	8226	●
40,00	52,00	12,00	B	metal	0,05	72 NBR 902	B1	21706	●
40,00	55,00	6,00	AS	smooth	*	75 FKM 595	BABSL	329337	○

● Available from stock ○ On request: Tool is available, delivery at short notice * → Diagram 2, page 18

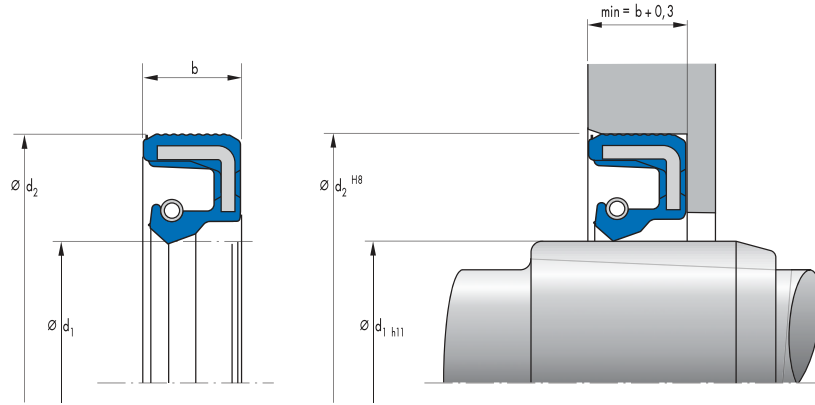


d ₁	d ₂	b	DIN 3761	Outer surface	Pressure	Material	Type	Article No.	
40,00	55,00	6,00	AS	smooth	*	72 NBR 902	BABSL	383444	●
40,00	55,00	6,00	AS	smooth	*	75 FKM 595	BABSL	479064	●
40,00	55,00	6,00	AS	smooth	*	72 NBR 902	BABSL	49034624	●
40,00	55,00	6,00	AS	smooth	*	75 FKM 595	BABSL	49035486	●
40,00	55,00	7,00	B	metal	0,02	72 NBR 902	B1FUD	334372	●
40,00	55,00	7,00	A	grooved	0,05	75 FKM 585	BAUMX7	388060	●
40,00	55,00	7,00	AS	grooved	0,05	75 FKM 585	BAUMSLX7	407135	●
40,00	55,00	7,00	A	smooth	0,05	72 NBR 902	BAUX2	478753	●
40,00	55,00	7,00	AS	smooth	0,05	72 NBR 902	BAUSLX2	524462	●
40,00	55,00	7,00	A	grooved	0,05	75 FKM 585	BAUMX7	528162	○
40,00	55,00	7,00	A	smooth	0,05	72 NBR 902	BAUX2	529478	○
40,00	55,00	8,00	B	metal	0,05	72 NBR 902	B1	19483	●
40,00	55,00	8,00	C	metal	up to 1 MPa	PTFE F56101	B2PT	406702	●
40,00	55,00	8,00	A	grooved	0,02	72 NBR 902	BAFUDX7	423373	●
40,00	55,00	8,00	AS	smooth	0,05	72 NBR 902	BAUSLX2	529404	●
40,00	55,00	9,00	B	metal	0,05	72 NBR 902	B1USL	126187	●
40,00	55,00	9,00	C	metal	0,02	72 NBR 902	B2FUD	334363	●
40,00	55,00	10,00	B	metal	0,02	72 NBR 902	B1FUD	334658	●
40,00	55,00	10,00	A	smooth	0,05	72 NBR 902	BAU	8234	●
40,00	55,00	10,00	AS	smooth	0,05	72 NBR 902	BASL	8235	●
40,00	55,00	12,00	C	metal	0,02	72 NBR 902	B2FUD	334687	●
40,00	55,00	12,00	A	smooth	0,05	72 NBR 902	BA	8239	●
40,00	55,50	9,00	B	metal	0,05	72 NBR 902	B1U	19484	●
40,00	56,00	6,00	AS	smooth	*	72 NBR 902	BABSL	12001693	●
40,00	56,00	8,00	A	smooth	0,02	72 NBR 902	BAFUD	12010933	●
40,00	56,00	8,00	AS	smooth	0,02	72 NBR 902	BAFUDSL	12011577	●
40,00	56,00	10,00	B	metal	0,05	72 NBR 902	B1U	19790	●
40,00	56,00	10,00	C	metal	0,05	72 NBR 902	B2U	22725	●
40,00	56,00	10,00	A	smooth	0,05	72 NBR 902	BAU	8249	●
40,00	56,00	12,00	C	metal	0,05	72 NBR 902	B2U	22726	●
40,00	57,00	4,50	A	metal	un-pressurised	80 NBR 177458	MSC 01	508530	●
40,00	57,00	4,50	A	metal	un-pressurised	80 FKM 177459	MSC 01	508578	●
40,00	58,00	6,50	A	metal	un-pressurised	80 FKM 177459	MSC 02	508610	●
40,00	58,00	6,50	A	metal	un-pressurised	80 NBR 177458	MSC 02	508634	●
40,00	58,00	8,00	AS	smooth	*	72 NBR 902	BABSL	411826	●
40,00	58,00	9,00	B	metal	0,05	72 NBR 902	B1U	19486	●

● Available from stock ○ On request: Tool is available, delivery at short notice * → Diagram 2, page 18

d ₁	d ₂	b	DIN 3761	Outer surface	Pressure	Material	Type	Article No.	
40,00	58,00	9,00	B	metal	0,05	72 NBR 902	B1USL	20095	●
40,00	58,00	9,00	AS	grooved	0,02	72 NBR 902	BAFUDSLX7	355477	●
40,00	58,00	9,00	AS	grooved	0,05	75 FKM 585	BAUMSLX7	418363	●
40,00	58,00	10,00	C	metal	0,05	72 NBR 902	B2U	39660	●
40,00	58,00	12,00	A	smooth	0,05	72 NBR 902	BAU	8254	●
40,00	60,00	8,00	C	metal	up to 1 MPa	PTFE F56101	B2PT	406713	●
40,00	60,00	10,00	C	metal	0,05	72 NBR 902	B2U	23019	●
40,00	60,00	10,00	CS	metal	0,05	72 NBR 902	B2SL	23632	●
40,00	60,00	10,00	B	metal	0,05	72 NBR 902	B1U	31466	●
40,00	60,00	10,00	A	grooved	0,02	72 NBR 902	BAFUDX7	334311	●
40,00	60,00	10,00	A	grooved	0,05	75 FKM 585	BAUMX7	402487	●
40,00	60,00	10,00	AS	smooth	0,05	72 NBR 902	BAUSLX2	49023925	●
40,00	60,00	12,00	A	smooth	0,05	75 FKM 595	BAUM	129960	○
40,00	60,00	12,00	B	metal	0,05	72 NBR 902	B1	19792	●
40,00	60,00	12,00	C	metal	0,05	72 NBR 902	B2U	23020	●
40,00	62,00	6,00	AS	smooth	*	72 NBR 902	BABSL	3018	●
40,00	62,00	6,00	AS	smooth	*	72 NBR 902	BABSL	49001831	○
40,00	62,00	6,00	AS	smooth	*	75 FKM 595	BABSL	528295	●
40,00	62,00	7,00	B	metal	0,02	72 NBR 902	B1FUD	334383	●
40,00	62,00	7,00	A	grooved	0,05	75 FKM 585	BAUMX7	388076	●
40,00	62,00	7,00	AS	grooved	0,05	75 FKM 585	BAUMSLX7	410185	●
40,00	62,00	7,00	A	smooth	0,05	72 NBR 902	BAUX2	478752	●
40,00	62,00	7,00	AS	smooth	0,05	72 NBR 902	BAUSLX2	478770	●
40,00	62,00	8,00	C	metal	up to 1 MPa	PTFE F56101	B2PT	406715	●
40,00	62,00	8,00	AS	smooth	0,05	72 NBR 902	BAUSLX2	477523	●
40,00	62,00	9,00	C	metal	0,02	72 NBR 902	B2FUD	334354	●
40,00	62,00	9,00	CS	metal	0,05	72 NBR 902	B2USL	34896	●
40,00	62,00	10,00	B	metal	0,05	72 NBR 902	B1USL	20142	●
40,00	62,00	10,00	B	metal	0,02	72 NBR 902	B1FUD	334385	●
40,00	62,00	10,00	C	metal	0,02	72 NBR 902	B2FUD	334684	●
40,00	62,00	10,00	AS	smooth	0,05	72 NBR 902	BAUSLX2	49023829	●
40,00	62,00	10,00	A	smooth	0,05	72 NBR 902	BAUX2	531174	●
40,00	62,00	10,00	A	smooth	0,05	72 NBR 902	BA	8279	●
40,00	62,00	12,00	BS	metal	0,05	72 NBR 902	B1SL	20143	●
40,00	62,00	12,00	B	metal	0,02	72 NBR 902	B1FUD	334669	●
40,00	62,00	12,00	C	metal	0,02	72 NBR 902	B2FUD	334670	●
40,00	62,00	12,00	A	smooth	0,05	72 NBR 902	BAU	8286	●
40,00	63,50	9,50	B	metal	0,05	72 NBR 902	B1U	19487	○
40,00	65,00	10,00	B	metal	0,05	72 NBR 902	B1U	19795	●
40,00	65,00	10,00	C	metal	0,05	72 NBR 902	B2	23023	●
40,00	65,00	10,00	A	grooved	0,02	72 NBR 902	BAFUDX7	355482	●
40,00	65,00	10,00	AS	smooth	0,05	72 NBR 902	BASL	39765	●
40,00	65,00	12,00	B	metal	0,05	72 NBR 902	B1U	19796	●
40,00	65,00	12,00	C	metal	0,05	72 NBR 902	B2U	23024	●
40,00	65,00	12,00	CS	metal	0,05	72 NBR 902	B2USL	23446	●
40,00	65,00	12,00	A	smooth	0,05	72 NBR 902	BA	8298	●
40,00	65,00	20,00	A	smooth	0,05	72 NBR 902	BADUO	8300	○
40,00	67,00	7,00	AS	smooth	*	75 FKM 595	BABSL	526418	○
40,00	68,00	6,00	AS	smooth	0,05	72 NBR 902	BAUSLX2	529094	●
40,00	68,00	6,00	AS	smooth	0,05	75 FKM 585	BAUMSL	529095	●

● Available from stock ○ On request: Tool is available, delivery at short notice * → Diagram 2, page 18

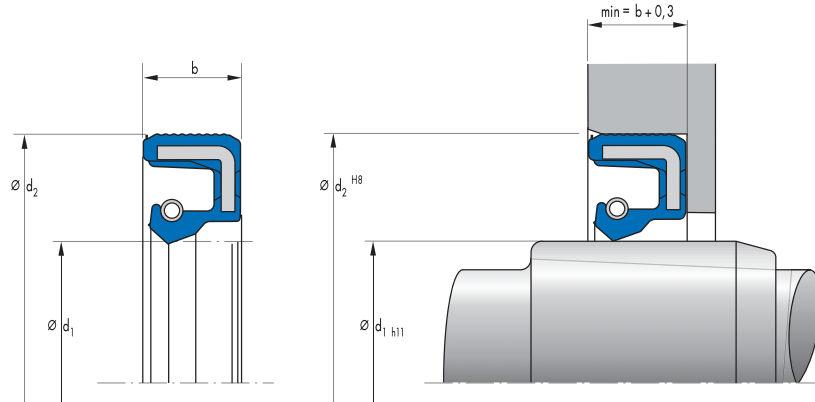


d ₁	d ₂	b	DIN 3761	Outer surface	Pressure	Material	Type	Article No.	
40,00	68,00	7,00	B	metal	0,05	72 NBR 902	B1U	21687	●
40,00	68,00	7,00	B	metal	0,05	72 NBR 902	B1U	49043563	●
40,00	68,00	8,00	AS	grooved	0,05	75 FKM 585	BAUMSLX7	477665	●
40,00	68,00	8,00	AS	smooth	0,05	72 NBR 902	BAUSLX2	49001661	●
40,00	68,00	8,00	A	smooth	0,05	72 NBR 902	BAUX2	49001672	●
40,00	68,00	8,00	A	grooved	0,05	75 FKM 585	BAUMX7	49012132	●
40,00	68,00	8,00	AS	smooth	0,05	72 NBR 902	BAUSLX2	49029022	●
40,00	68,00	10,00	A	smooth	0,05	72 NBR 902	BAUX2	524498	●
40,00	68,00	10,00	-	smooth	0,05	72 NBR 902	MSS 1	49028784	●
40,00	68,00	12,00	B	metal	0,05	72 NBR 902	B1	19797	●
40,00	68,00	12,00	C	metal	0,05	72 NBR 902	B2	23025	●
40,00	70,00	8,00	A	smooth	0,05	72 NBR 902	BA	8304	●
40,00	70,00	10,00	A	smooth	0,05	72 NBR 902	BA	8307	●
40,00	70,00	12,00	C	metal	0,05	72 NBR 902	B2	23026	●
40,00	72,00	7,00	B	metal	0,05	72 NBR 902	B1	2567	●
40,00	72,00	7,00	A	grooved	0,05	75 FKM 585	BAUMX7	400807	●
40,00	72,00	7,00	AS	smooth	0,05	72 NBR 902	BAUSLX2	478772	●
40,00	72,00	7,00	A	smooth	0,02	72 NBR 902	BAFUD	49001652	●
40,00	72,00	7,00	A	smooth	0,05	72 NBR 902	BAUX2	49037526	●
40,00	72,00	9,00	C	metal	0,05	72 NBR 902	B2	9548	●
40,00	72,00	10,00	C	metal	0,05	72 NBR 902	B2U	23027	●
40,00	72,00	10,00	AS	smooth	0,05	72 NBR 902	BAUSLX2	477144	●
40,00	72,00	10,00	AS	smooth	0,05	75 FKM 585	BAUMSL	477147	●
40,00	72,00	10,00	A	smooth	0,05	72 NBR 902	BA	8310	●
40,00	72,00	12,00	B	metal	0,05	72 NBR 902	B1	19801	●
40,00	72,00	12,00	C	metal	0,05	72 NBR 902	B2U	23028	●
40,00	72,00	12,00	A	smooth	0,05	72 NBR 902	BAU	8312	●
40,00	80,00	7,00	AS	smooth	0,05	72 NBR 902	BAUSLX2	49004252	●
40,00	80,00	7,00	AS	smooth	0,05	75 FKM 585	BAUMSL	49011968	●
40,00	80,00	10,00	A	grooved	0,02	72 NBR 902	BAFUDX7	355479	●
40,00	80,00	10,00	AS	smooth	0,05	75 FKM 585	BAUMSL	455618	●
40,00	80,00	10,00	AS	smooth	0,05	72 NBR 902	BAUSLX2	455619	●
40,00	80,00	10,00	A	smooth	0,05	72 NBR 902	BAUX2	49037525	●
40,00	80,00	10,00	-	smooth	0,05	72 NBR 902	MSS 1	525350	●
40,00	80,00	12,00	AS	smooth	0,02	72 NBR 902	BAFUDSL	12011162	●
40,00	80,00	13,00	C	metal	0,05	72 NBR 902	B2U	23030	●

● Available from stock ○ On request: Tool is available, delivery at short notice * → Diagram 2, page 18

d ₁	d ₂	b	DIN 3761	Outer surface	Pressure	Material	Type	Article No.	
40,00	80,00	13,00	A	smooth	0,05	72 NBR 902	BA	8318	○
40,00	85,00	10,00	A	grooved	0,05	75 FKM 585	BAUMX7	474893	●
40,00	85,00	10,00	A	smooth	0,05	72 NBR 902	BAUX2	523393	●
40,00	85,00	10,00	AS	smooth	0,05	72 NBR 902	BAUSLX2	523394	●
40,00	90,00	8,00	AS	smooth	0,02	72 NBR 902	BAFUDSL	12012533	●
40,00	90,00	10,00	A	grooved	0,02	72 NBR 902	BAFUDX7	407521	●
40,00	90,00	10,00	A	smooth	0,05	72 NBR 902	BAUX2	49037527	●
40,00	90,00	10,00	AS	smooth	0,05	75 FKM 585	BAUMSL	520956	●
40,00	90,00	10,00	AS	smooth	0,05	72 NBR 902	BAUSLX2	520957	●
40,00	90,00	12,00	AS	grooved	0,02	72 NBR 902	BAFUDSLX7	407522	●
41,00	56,00	10,00	A	smooth	0,05	72 NBR 902	BA	153820	●
41,00	57,00	4,50	A	metal	un-pressurised	80 NBR 177458	MSC 01	508531	●
41,00	57,00	4,50	A	metal	un-pressurised	80 FKM 177459	MSC 01	508579	●
41,00	62,00	10,00	C	metal	0,05	72 NBR 902	B2U	23031	●
42,00	55,00	7,00	B	metal	0,05	72 NBR 902	B1U	19491	●
42,00	55,00	7,00	A	smooth	0,05	72 NBR 902	BAUX2	49031451	●
42,00	55,00	7,00	A	smooth	0,05	72 NBR 902	BAU	8342	●
42,00	55,00	8,00	B	metal	0,05	72 NBR 902	B1U	13997	●
42,00	55,00	8,00	AS	grooved	0,05	75 FKM 585	BAUMSLX7	404322	●
42,00	55,00	8,00	C	metal	up to 1 MPa	PTFE F56101	B2PT	406716	●
42,00	55,00	8,00	AS	grooved	0,02	72 NBR 902	BAFUDSLX7	407523	●
42,00	55,00	8,00	A	smooth	0,05	72 NBR 902	BAUX2	530818	●
42,00	55,00	10,00	BS	metal	0,05	72 NBR 902	B1SL	29870	●
42,00	56,00	7,00	A	smooth	0,05	72 NBR 902	BAUSL	121799	●
42,00	56,00	7,00	A	grooved	0,02	72 NBR 902	BAFUDX7	334313	●
42,00	56,00	7,00	A	smooth	0,05	72 NBR 902	BAU	523558	●
42,00	56,00	7,00	B	metal	0,05	72 NBR 902	B1	7994	●
42,00	58,00	9,00	B	metal	0,05	72 NBR 902	B1	19494	●
42,00	59,00	4,50	A	metal	un-pressurised	80 NBR 177458	MSC 01	508532	●
42,00	59,00	4,50	A	metal	un-pressurised	80 FKM 177459	MSC 01	508580	●
42,00	60,00	10,00	B	metal	0,05	72 NBR 902	B1U	19804	●
42,00	60,00	10,00	C	metal	0,05	72 NBR 902	B2U	22728	●
42,00	60,00	10,00	A	smooth	0,05	72 NBR 902	BA	8356	●
42,00	60,00	12,00	C	metal	0,05	72 NBR 902	B2U	23034	●
42,00	62,00	7,00	B	metal	0,05	72 NBR 902	B1U	19495	●
42,00	62,00	7,00	AS	smooth	*	75 FKM 585	BABSL	348515	●
42,00	62,00	7,00	AS	smooth	*	72 NBR 902	BABSL	383616	●
42,00	62,00	7,00	BS	metal	0,05	72 NBR 902	B1SL	4004	●
42,00	62,00	8,00	AS	smooth	0,02	72 NBR 902	BAFUDSL	12011163	●
42,00	62,00	8,00	B	metal	0,05	72 NBR 902	B1U	14004	●
42,00	62,00	8,00	A	grooved	0,05	75 FKM 585	BAUMX7	388822	●
42,00	62,00	8,00	C	metal	up to 1 MPa	PTFE F56101	B2PT	415465	○
42,00	62,00	8,00	B	metal	0,05	72 NBR 902	B1U	427798	○
42,00	62,00	8,00	A	smooth	0,05	72 NBR 902	BAUX2	478766	●
42,00	62,00	8,00	AS	grooved	0,05	75 FKM 585	BAUMSLX7	524291	●
42,00	62,00	10,00	B	metal	0,05	72 NBR 902	B1U	19806	●
42,00	62,00	10,00	CS	metal	0,05	72 NBR 902	B2USL	20700	●
42,00	62,00	10,00	C	metal	0,05	72 NBR 902	B2U	22729	●
42,00	62,00	10,00	A	smooth	0,05	72 NBR 902	BAU	8363	●
42,00	62,00	12,00	B	metal	0,05	72 NBR 902	B1U	19807	●

● Available from stock ○ On request: Tool is available, delivery at short notice * → Diagram 2, page 18

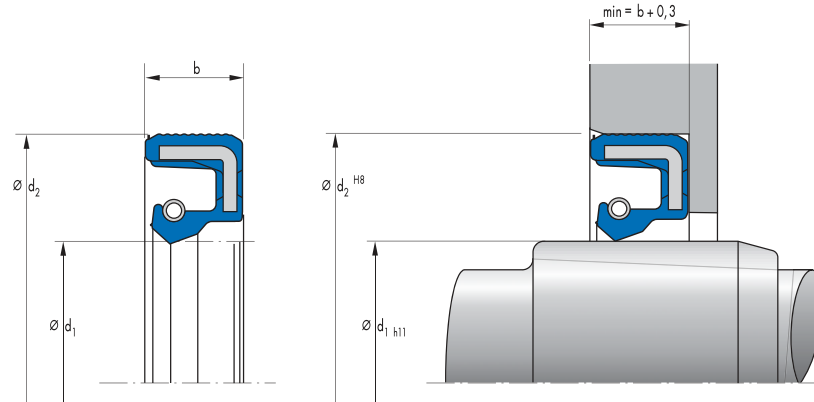


d_1	d_2	b	DIN 3761	Outer surface	Pressure	Material	Type	Article No.	
42,00	62,00	12,00	C	metal	0,05	72 NBR 902	B2U	23035	●
42,00	62,00	12,00	B	metal	0,05	72 NBR 902	B1USL	31467	●
42,00	62,00	12,00	A	smooth	0,05	72 NBR 902	BA	8367	●
42,00	65,00	10,00	B	metal	0,05	72 NBR 902	B1U	19810	●
42,00	65,00	10,00	C	metal	0,05	72 NBR 902	B2U	23036	●
42,00	65,00	10,00	A	grooved	0,05	75 FKM 585	BAUMX7	389459	●
42,00	65,00	10,00	AS	grooved	0,02	72 NBR 902	BAFUDSLX7	466342	●
42,00	65,00	10,00	A	smooth	0,05	72 NBR 902	BA	8373	●
42,00	65,00	12,00	B	metal	0,05	72 NBR 902	B1U	19811	●
42,00	65,00	12,00	C	metal	0,05	72 NBR 902	B2U	23037	●
42,00	66,00	13,00	C	metal	0,05	72 NBR 902	B2	23038	●
42,00	68,00	8,00	A	grooved	0,05	75 FKM 585	BAUMX7	407044	●
42,00	68,00	10,00	C	metal	0,05	72 NBR 902	B2U	49011583	●
42,00	70,00	12,00	C	metal	0,05	72 NBR 902	B2	23039	●
42,00	72,00	8,00	B	metal	0,02	72 NBR 902	B1FUD	334958	●
42,00	72,00	8,00	A	grooved	0,05	75 FKM 585	BAUMX7	411519	●
42,00	72,00	8,00	AS	smooth	0,05	72 NBR 902	BAUSLX2	475175	●
42,00	72,00	8,00	AS	grooved	0,05	75 FKM 585	BAUMSLX7	477669	●
42,00	72,00	8,00	A	smooth	0,05	72 NBR 902	BAUX2	49001667	●
42,00	72,00	10,00	C	metal	0,02	72 NBR 902	B2FUD	334925	●
42,00	72,00	10,00	AS	grooved	0,05	72 NBR 902	BAUSLX27	450733	●
42,00	72,00	10,00	A	smooth	0,05	72 NBR 902	BAU	8381	●
42,00	72,00	12,00	C	metal	0,02	72 NBR 902	B2FUD	334926	●
42,00	72,00	12,00	B	metal	0,02	72 NBR 902	B1FUD	334959	●
42,00	80,00	13,00	C	metal	0,05	72 NBR 902	B2	23041	●
42,86	59,13	12,70	B	metal	un-pressurised	72 NBR 902	B1FOF	399289	○
43,00	58,00	7,50	B	metal	0,05	72 NBR 902	B1U	21189	●
43,00	58,00	7,50	B	metal	0,05	72 NBR 902	B1U	426412	○
43,00	60,00	10,00	C	metal	0,05	72 NBR 902	B2	22732	●
43,00	60,00	10,00	A	smooth	0,05	72 NBR 902	BA	8393	●
43,00	62,00	10,00	C	metal	0,05	72 NBR 902	B2U	22733	●
43,00	63,50	9,50	B	metal	0,05	72 NBR 902	B1U	19500	●
43,00	72,00	10,00	C	metal	0,05	72 NBR 902	B2	22734	●
44,00	58,40	10,00	A	smooth	0,05	72 NBR 902	BAU	347394	●
44,00	60,00	10,00	C	metal	0,05	72 NBR 902	B2U	22735	●
44,00	60,00	10,00	A	smooth	0,05	72 NBR 902	BAU	8406	●

● Available from stock ○ On request: Tool is available, delivery at short notice * → Diagram 2, page 18

d ₁	d ₂	b	DIN 3761	Outer surface	Pressure	Material	Type	Article No.	
44,00	62,00	10,00	C	metal	0,05	72 NBR 902	B2U	23043	●
44,00	62,00	10,00	A	smooth	0,05	72 NBR 902	BA	8408	●
44,00	62,00	12,00	C	metal	0,05	72 NBR 902	B2U	23044	●
44,00	65,00	8,00	A	grooved	0,05	75 FKM 585	BAUMX7	411520	●
44,00	65,00	10,00	B	metal	0,05	72 NBR 902	B1	19815	●
44,00	65,00	10,00	C	metal	0,05	72 NBR 902	B2U	22736	●
44,00	65,00	10,00	A	smooth	0,05	72 NBR 902	BA	8414	●
44,00	70,00	12,00	C	metal	0,05	72 NBR 902	B2U	23046	●
44,00	72,00	10,00	A	smooth	0,05	72 NBR 902	BA	8420	●
44,00	72,00	12,00	C	metal	0,05	72 NBR 902	B2	23047	●
44,00	80,00	13,00	A	smooth	0,05	72 NBR 902	BAU	146270	●
44,45	63,50	7,94	B	metal	0,05	72 NBR 902	B1U	3520	●
45,00	52,00	4,00	B	metal	un-pressurised	72 NBR 902	B1OF	377784	●
45,00	55,00	7,00	B	metal	0,02	72 NBR 902	B1FUD	334386	●
45,00	55,00	7,00	A	grooved	0,05	72 NBR 902	BAUX27	453162	●
45,00	55,00	7,00	A	smooth	0,05	72 NBR 902	BAUX2	49022656	●
45,00	55,00	7,00	AS	grooved	0,05	72 NBR 902	BAUSLX27	533201	●
45,00	58,00	7,00	AS	smooth	0,02	72 NBR 902	BAFUDSL	12013433	●
45,00	58,00	7,00	AS	smooth	*	72 NBR 902	BABSL	366368	●
45,00	58,00	7,00	A	smooth	0,05	72 NBR 902	BA	8442	●
45,00	60,00	6,00	B	metal	0,05	72 NBR 902	B1USL	102203	○
45,00	60,00	7,00	A	smooth	0,05	75 FKM 595	BAUM	121905	○
45,00	60,00	7,00	A	grooved	0,02	72 NBR 902	BAFUDX7	334830	○
45,00	60,00	7,00	B	metal	0,02	72 NBR 902	B1FUD	335101	●
45,00	60,00	7,00	BS	metal	0,02	72 NBR 902	B1FUDSL	335102	●
45,00	60,00	7,00	AS	smooth	0,05	72 NBR 902	BAUSLX2	478771	●
45,00	60,00	7,00	A	grooved	0,02	72 NBR 902	BAFUDX7	532621	●
45,00	60,00	7,00	A	smooth	0,05	72 NBR 902	BA	8447	●
45,00	60,00	8,00	AS	smooth	0,02	72 NBR 902	BAFUDSL	12011165	●
45,00	60,00	8,00	CS	metal	0,05	72 NBR 902	B2USL	23427	●
45,00	60,00	8,00	B	metal	0,02	72 NBR 902	B1FUD	334384	●
45,00	60,00	8,00	A	grooved	0,05	75 FKM 585	BAUMX7	397330	●
45,00	60,00	8,00	C	metal	up to 1 MPa	PTFE F56101	B2PT	406717	●
45,00	60,00	8,00	AS	grooved	0,05	75 FKM 585	BAUMSLX7	407136	●
45,00	60,00	8,00	A	smooth	0,05	72 NBR 902	BAUX2	524652	●
45,00	60,00	10,00	B	metal	0,05	72 NBR 902	B1U	19821	○
45,00	60,00	10,00	B	metal	0,02	72 NBR 902	B1FUD	334679	●
45,00	60,00	10,00	C	metal	0,02	72 NBR 902	B2FUD	334682	●
45,00	60,00	10,00	A	smooth	0,05	72 NBR 902	BAU	8454	●
45,00	60,00	12,00	C	metal	0,02	72 NBR 902	B2FUD	334681	●
45,00	62,00	4,50	A	metal	un-pressurised	80 NBR 177458	MSC 01	508533	●
45,00	62,00	4,50	A	metal	un-pressurised	80 FKM 177459	MSC 01	508581	●
45,00	62,00	7,00	B	metal	0,05	72 NBR 902	B1	19504	●
45,00	62,00	7,00	A	grooved	0,02	72 NBR 902	BAFUDX7	334314	●
45,00	62,00	7,00	AS	smooth	*	72 NBR 902	BABSL	348882	●
45,00	62,00	7,00	AS	smooth	*	75 FKM 595	BABSL	418708	●
45,00	62,00	7,00	A	smooth	0,05	72 NBR 902	BAUX2	49028673	●
45,00	62,00	7,00	A	grooved	0,05	75 FKM 585	BAUMX7	522386	●
45,00	62,00	7,50	AS	smooth	0,05	72 NBR 902	BASL	8461	●
45,00	62,00	8,00	B	metal	0,05	72 NBR 902	B1U	2499	●

● Available from stock ○ On request: Tool is available, delivery at short notice * → Diagram 2, page 18

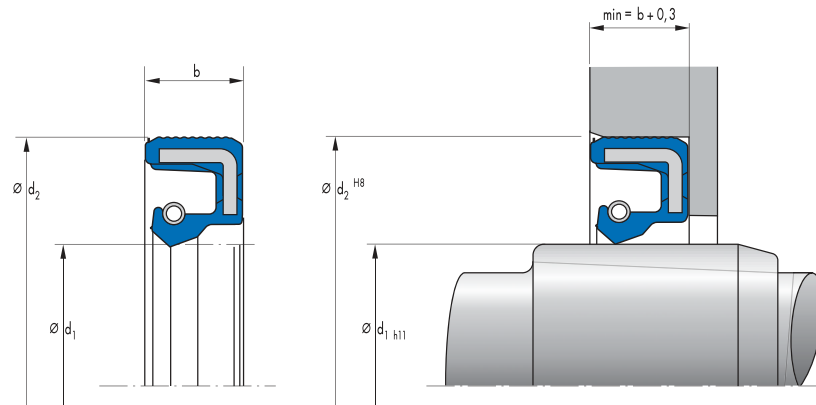


d ₁	d ₂	b	DIN 3761	Outer surface	Pressure	Material	Type	Article No.	
45,00	62,00	8,00	A	grooved	0,05	75 FKM 585	BAUMX7	388081	●
45,00	62,00	8,00	C	metal	up to 1 MPa	PTFE F56101	B2PT	406789	●
45,00	62,00	8,00	B	metal	0,05	72 NBR 902	B1USL	523595	●
45,00	62,00	8,00	A	smooth	0,05	72 NBR 902	BAUX2	526947	●
45,00	62,00	8,00	AS	smooth	0,05	72 NBR 902	BAUSLX2	529403	●
45,00	62,00	8,00	C	metal	up to 1 MPa	PTFE F56101	B2PT	529449	○
45,00	62,00	10,00	B	metal	0,05	72 NBR 902	B1U	19822	●
45,00	62,00	10,00	C	metal	0,05	72 NBR 902	B2U	23048	●
45,00	62,00	10,00	A	grooved	0,02	72 NBR 902	BAFUDX7	334295	●
45,00	62,00	10,00	CS	metal	0,05	72 NBR 902	B2USL	34897	●
45,00	62,00	10,00	A	smooth	0,05	72 NBR 902	BAUSL	8479	●
45,00	62,00	12,00	B	metal	0,05	72 NBR 902	B1U	19823	●
45,00	62,00	12,00	C	metal	0,05	72 NBR 902	B2U	23049	●
45,00	62,00	12,00	CS	metal	0,02	72 NBR 902	B2FUDSL	334351	●
45,00	62,00	12,00	A	smooth	0,05	72 NBR 902	BA	8483	●
45,00	62,00	14,00	A	smooth	0,05	72 NBR 902	BADUO	32896	○
45,00	63,00	6,50	A	metal	un-pressurised	80 FKM 177459	MSC 02	508611	●
45,00	63,00	6,50	A	metal	un-pressurised	80 NBR 177458	MSC 02	508635	●
45,00	65,00	7,00	AS	smooth	*	75 FKM 595	BABSL	125117	●
45,00	65,00	7,00	AS	smooth	*	75 FKM 595	BABSL	49035662	●
45,00	65,00	7,00	AS	smooth	*	72 NBR 902	BABSL	526240	●
45,00	65,00	8,00	AS	smooth	*	72 NBR 902	BABSL	12011524	●
45,00	65,00	8,00	B	metal	0,02	72 NBR 902	B1FUD	334645	●
45,00	65,00	8,00	A	grooved	0,05	75 FKM 585	BAUMX7	398036	●
45,00	65,00	8,00	C	metal	up to 1 MPa	PTFE F56101	B2PT	406792	●
45,00	65,00	8,00	A	smooth	0,05	72 NBR 902	BAUX2	49037529	●
45,00	65,00	8,00	A	smooth	0,02	72 NBR 902	BAFUD	532622	●
45,00	65,00	10,00	BS	metal	0,02	72 NBR 902	B1FUDSL	334275	●
45,00	65,00	10,00	AS	grooved	0,02	72 NBR 902	BAFUDSLX7	334298	●
45,00	65,00	10,00	C	metal	0,02	72 NBR 902	B2FUD	334357	●
45,00	65,00	10,00	B	metal	0,02	72 NBR 902	B1FUD	334644	●
45,00	65,00	10,00	A	grooved	0,02	72 NBR 902	BAFUDX7	355409	●
45,00	65,00	10,00	A	smooth	0,05	72 NBR 902	BAU	366521	○
45,00	65,00	10,00	AS	grooved	0,02	72 NBR 902	BAFUDSLX7	394402	○
45,00	65,00	10,00	AS	grooved	0,05	75 FKM 585	BAUMSLX7	405454	●
45,00	65,00	12,00	C	metal	0,02	72 NBR 902	B2FUD	334366	●

● Available from stock ○ On request: Tool is available, delivery at short notice * → Diagram 2, page 18

d ₁	d ₂	b	DIN 3761	Outer surface	Pressure	Material	Type	Article No.	
45,00	65,00	12,00	B	metal	0,02	72 NBR 902	B1FUD	334646	●
45,00	66,00	6,00	A	smooth	0,05	72 NBR 902	BA	31719	●
45,00	66,00	6,00	A	smooth	0,05	72 NBR 902	BA	49019342	●
45,00	68,00	10,00	C	metal	0,05	72 NBR 902	B2	25586	●
45,00	68,00	10,00	A	grooved	0,02	72 NBR 902	BAFUDX7	355488	●
45,00	68,00	10,00	A	grooved	0,05	75 FKM 585	BAUMX7	472400	●
45,00	68,00	12,00	C	metal	0,05	72 NBR 902	B2	23053	●
45,00	70,00	10,00	A	smooth	0,02	72 NBR 902	BAFUD	12010957	●
45,00	70,00	10,00	C	metal	0,05	72 NBR 902	B2U	23591	●
45,00	70,00	12,00	B	metal	0,05	72 NBR 902	B1U	19827	●
45,00	70,00	12,00	C	metal	0,05	72 NBR 902	B2	23054	●
45,00	72,00	7,00	B	metal	0,05	72 NBR 902	B1U	19505	●
45,00	72,00	8,00	A	grooved	0,02	72 NBR 902	BAFUDX7	334282	●
45,00	72,00	8,00	B	metal	0,02	72 NBR 902	B1FUD	334961	●
45,00	72,00	8,00	A	grooved	0,05	75 FKM 585	BAUMX7	388865	●
45,00	72,00	8,00	AS	grooved	0,05	75 FKM 585	BAUMSLX7	431911	●
45,00	72,00	8,00	AS	smooth	0,05	72 NBR 902	BAUSLX2	49006102	●
45,00	72,00	8,00	A	smooth	0,05	75 FKM 585	BAUM	49036527	○
45,00	72,00	8,00	A	smooth	0,05	72 NBR 902	BAUX2	531104	●
45,00	72,00	10,00	B	metal	0,02	72 NBR 902	B1FUD	334277	●
45,00	72,00	10,00	C	metal	0,02	72 NBR 902	B2FUD	334927	●
45,00	72,00	10,00	A	smooth	0,05	72 NBR 902	BAUX2	49018324	●
45,00	72,00	12,00	BS	metal	0,05	72 NBR 902	B1SL	20147	●
45,00	72,00	12,00	B	metal	0,02	72 NBR 902	B1FUD	334928	●
45,00	72,00	12,00	C	metal	0,02	72 NBR 902	B2FUD	334962	●
45,00	75,00	7,00	AS	grooved	0,05	72 NBR 902	BAUSLX27	49001658	●
45,00	75,00	7,00	A	grooved	0,05	72 NBR 902	BAUX27	49001659	●
45,00	75,00	7,00	AS	smooth	0,05	75 FKM 585	BAUMSL	49011967	●
45,00	75,00	7,00	A	smooth	0,05	75 FKM 585	BAUM	49012131	●
45,00	75,00	7,00	-	smooth	0,05	72 NBR 902	MSS 7	522352	●
45,00	75,00	8,00	A	smooth	0,05	72 NBR 902	BAU	368920	●
45,00	75,00	8,00	AS	grooved	0,05	75 FKM 585	BAUMSLX7	411214	●
45,00	75,00	8,00	AS	smooth	0,05	72 NBR 902	BAUSLX2	49005159	○
45,00	75,00	8,00	AS	smooth	0,05	75 FKM 585	BAUMSL	49008402	○
45,00	75,00	8,00	AS	smooth	0,05	72 NBR 902	BAUSLX2	524804	●
45,00	75,00	8,00	-	smooth	0,05	72 NBR 902	MSS 1	49005160	●
45,00	75,00	10,00	AS	smooth	0,02	72 NBR 902	BAFUDSL	12000514	●
45,00	75,00	10,00	A	grooved	0,02	72 NBR 902	BAFUDX7	334299	●
45,00	75,00	10,00	A	smooth	0,05	72 NBR 902	BAUSL	524452	○
45,00	75,00	10,00	A	smooth	0,05	72 NBR 902	BAUX2	526932	●
45,00	75,00	12,00	C	metal	0,05	72 NBR 902	B2	23056	●
45,00	80,00	8,00	A	smooth	0,05	72 NBR 902	BAU	8536	●
45,00	80,00	8,00	-	smooth	0,05	72 NBR 902	MSS 7	522353	●
45,00	80,00	10,00	C	metal	0,05	72 NBR 902	B2U	23058	●
45,00	80,00	10,00	A	grooved	0,02	72 NBR 902	BAFUDX7	334300	●
45,00	80,00	10,00	AS	grooved	0,05	75 FKM 585	BAUMSLX7	477668	●
45,00	80,00	10,00	A	smooth	0,05	72 NBR 902	BAUX2	49037528	●
45,00	80,00	10,00	AS	smooth	0,05	72 NBR 902	BAUSLX2	526075	●
45,00	80,00	13,00	B	metal	0,05	72 NBR 902	B1	19831	●
45,00	80,00	13,00	B	metal	0,05	72 NBR 902	B1USL	20148	●

● Available from stock ○ On request: Tool is available, delivery at short notice * → Diagram 2, page 18

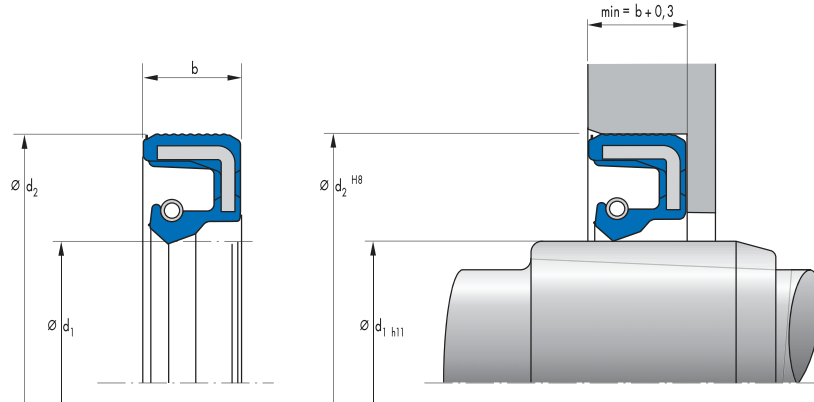


d ₁	d ₂	b	DIN 3761	Outer surface	Pressure	Material	Type	Article No.	
45,00	80,00	13,00	C	metal	0,05	72 NBR 902	B2U	23059	●
45,00	80,00	13,00	A	smooth	0,05	72 NBR 902	BA	8543	●
45,00	85,00	10,00	A	smooth	0,05	72 NBR 902	BAU	141529	●
45,00	85,00	10,00	B	metal	0,05	72 NBR 902	B1U	19832	●
45,00	85,00	10,00	AS	smooth	0,05	72 NBR 902	BAUSLX2	470429	●
45,00	85,00	10,00	AS	smooth	0,05	75 FKM 585	BAUMSL	470430	●
45,00	85,00	10,00	A	smooth	0,05	72 NBR 902	BAUSL	524451	○
45,00	85,00	10,00	-	smooth	0,05	72 NBR 902	MSS 1	525382	●
45,00	85,00	13,00	C	metal	0,05	72 NBR 902	B2	23060	●
45,00	100,00	10,00	A	smooth	0,05	72 NBR 902	BA	103209	●
46,00	60,00	7,00	B	metal	0,05	72 NBR 902	B1U	19506	●
46,00	62,00	12,00	C	metal	0,05	72 NBR 902	B2U	22744	●
46,00	64,00	8,00	A	smooth	0,05	72 NBR 902	BA	8560	●
46,00	65,00	10,00	C	metal	0,05	72 NBR 902	B2U	23062	●
46,00	65,00	10,00	AS	smooth	0,02	72 NBR 902	BAFUDSL	523567	●
46,00	65,00	10,00	A	smooth	0,05	72 NBR 902	BAU	8562	●
46,00	68,00	12,00	C	metal	0,05	72 NBR 902	B2	32022	●
46,00	80,00	10,00	C	metal	0,05	72 NBR 902	B2	22746	●
46,94	62,00	8,00	A	smooth	0,05	72 NBR 902	BA	8578	●
47,00	62,00	6,00	A	smooth	0,05	72 NBR 902	BA	8582	●
47,00	62,00	7,00	AS	smooth	*	72 NBR 902	BABSL	379252	●
47,00	65,00	10,00	AS	smooth	0,05	75 FKM 585	BAUMSL	478469	●
47,00	65,00	10,00	AS	smooth	0,05	72 NBR 902	BAUSLX2	478470	●
47,00	65,00	10,00	-	smooth	0,05	72 NBR 902	MSS 1	525416	●
47,00	65,00	12,00	C	metal	0,05	72 NBR 902	B2U	23067	●
47,00	70,00	12,00	C	metal	0,05	72 NBR 902	B2	23068	●
47,00	72,00	10,00	C	metal	0,05	72 NBR 902	B2	23069	●
47,00	72,00	12,00	B	metal	0,05	72 NBR 902	B1	19836	●
47,00	72,00	12,00	C	metal	0,05	72 NBR 902	B2	23070	●
47,00	90,00	10,00	AS	smooth	0,05	72 NBR 902	BAUSLX2	478472	●
47,00	90,00	10,00	AS	smooth	0,05	75 FKM 585	BAUMSL	478473	●
47,00	90,00	10,00	-	smooth	0,05	72 NBR 902	MSS 1	525417	●
48,00	62,00	8,00	A	grooved	0,02	72 NBR 902	BAFUDX7	334832	●
48,00	62,00	8,00	B	metal	0,02	72 NBR 902	B1FUD	335103	●
48,00	62,00	8,00	C	metal	up to 1 MPa	PTFE F56101	B2PT	374565	○
48,00	62,00	8,00	A	grooved	0,05	75 FKM 585	BAUMX7	400946	●

● Available from stock ○ On request: Tool is available, delivery at short notice * → Diagram 2, page 18

d ₁	d ₂	b	DIN 3761	Outer surface	Pressure	Material	Type	Article No.	
48,00	62,00	8,00	AS	smooth	0,05	72 NBR 902	BAUSLX2	49001665	●
48,00	62,00	8,00	AS	grooved	0,05	75 FKM 585	BAUMSLX7	530500	●
48,00	62,00	10,00	B	metal	0,05	72 NBR 902	B1U	19511	●
48,00	65,00	4,50	A	metal	un-pressurised	80 NBR 177458	MSC 01	508534	●
48,00	65,00	4,50	A	metal	un-pressurised	80 FKM 177459	MSC 01	508583	●
48,00	65,00	8,00	AS	grooved	0,05	75 FKM 585	BAUMSLX7	410186	●
48,00	65,00	8,00	A	smooth	0,05	72 NBR 902	BA	8597	●
48,00	65,00	10,00	B	metal	0,05	72 NBR 902	B1	12011331	○
48,00	65,00	10,00	B	metal	0,05	72 NBR 902	B1U	19837	●
48,00	65,00	10,00	C	metal	0,05	72 NBR 902	B2U	23074	●
48,00	65,00	10,00	CS	metal	0,05	72 NBR 902	B2SL	23429	●
48,00	65,00	10,00	AS	smooth	0,05	72 NBR 902	BAUSLX2	49040137	●
48,00	65,00	10,00	A	smooth	0,05	72 NBR 902	BAU	8604	●
48,00	65,00	10,00	A	smooth	0,05	72 NBR 902	BAUSL	8606	●
48,00	65,00	12,00	C	metal	0,05	72 NBR 902	B2U	22747	●
48,00	68,00	8,00	AS	grooved	0,05	75 FKM 585	BAUMSLX7	411231	●
48,00	68,00	10,00	C	metal	0,05	72 NBR 902	B2U	22748	●
48,00	68,00	10,00	AS	smooth	0,05	72 NBR 902	BAUSLX2	529405	●
48,00	68,00	10,00	A	smooth	0,05	72 NBR 902	BA	8617	●
48,00	68,00	12,00	C	metal	0,05	72 NBR 902	B2U	23075	●
48,00	69,00	12,00	B	metal	0,05	72 NBR 902	B1U	19840	●
48,00	70,00	10,00	C	metal	0,05	72 NBR 902	B2	23076	●
48,00	70,00	10,00	A	smooth	0,05	72 NBR 902	BAU	8624	●
48,00	70,00	12,00	C	metal	0,05	72 NBR 902	B2	23077	●
48,00	70,00	14,00	CS	metal	0,05	72 NBR 902	B2SL	61833	○
48,00	72,00	7,00	A	grooved	0,02	72 NBR 902	BAFUDX7	334833	●
48,00	72,00	7,00	BS	metal	0,02	72 NBR 902	B1FUDSL	348354	●
48,00	72,00	8,00	B	metal	0,05	72 NBR 902	B1	14027	●
48,00	72,00	8,00	A	grooved	0,02	72 NBR 902	BAFUDX7	334301	●
48,00	72,00	8,00	A	grooved	0,05	75 FKM 585	BAUMX7	388860	●
48,00	72,00	8,00	B	metal	0,02	72 NBR 902	B1FUD	427015	○
48,00	72,00	8,00	AS	grooved	0,05	75 FKM 585	BAUMSLX7	460943	●
48,00	72,00	8,00	AS	smooth	0,05	72 NBR 902	BAUSLX2	524140	●
48,00	72,00	10,00	C	metal	0,05	72 NBR 902	B2U	23078	●
48,00	72,00	10,00	A	smooth	0,05	72 NBR 902	BAU	8633	●
48,00	72,00	12,00	B	metal	0,05	72 NBR 902	B1	20265	●
48,00	72,00	12,00	C	metal	0,05	72 NBR 902	B2	23079	●
48,00	72,00	12,00	A	smooth	0,05	72 NBR 902	BA	8640	●
48,00	72,00	12,00	A	smooth	0,05	72 NBR 902	BAUSL	8641	●
48,00	80,00	8,00	B	metal	0,05	72 NBR 902	B1U	424798	○
48,00	80,00	10,00	C	metal	0,05	72 NBR 902	B2U	22749	●
48,00	80,00	10,00	A	grooved	0,02	72 NBR 902	BAFUDX7	334302	●
48,00	80,00	13,00	C	metal	0,05	72 NBR 902	B2	23080	●
48,00	90,00	13,00	C	metal	0,05	72 NBR 902	B2	23082	●
49,00	65,00	10,00	A	smooth	0,05	72 NBR 902	BA	8648	●
49,00	68,00	10,00	C	metal	0,05	72 NBR 902	B2U	22751	●
50,00	60,00	4,50	A	smooth	0,05	72 NBR 902	BAUSL	49033416	○
50,00	60,00	4,50	AS	grooved	0,05	75 FKM 585	BAUMSLX27	521194	●
50,00	62,00	6,00	B	metal	0,05	72 NBR 902	B1USL	38786	○
50,00	62,00	7,00	AS	smooth	0,02	72 NBR 902	BAFUDSL	12011173	●

● Available from stock ○ On request: Tool is available, delivery at short notice * → Diagram 2, page 18

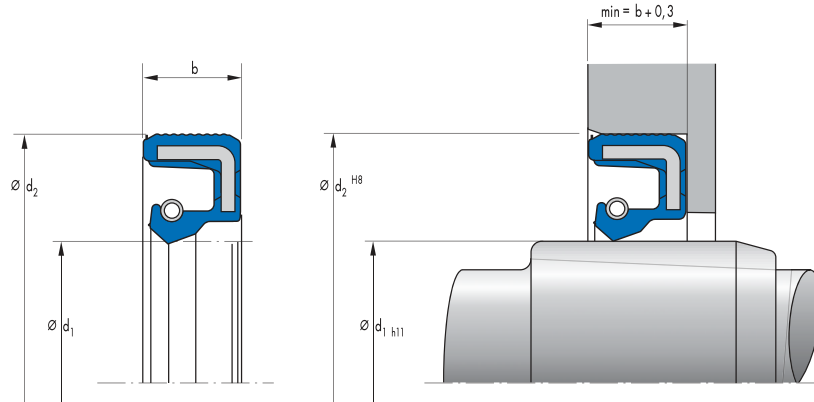


d ₁	d ₂	b	DIN 3761	Outer surface	Pressure	Material	Type	Article No.	
50,00	62,00	7,00	B	metal	0,02	72 NBR 902	B1FUD	532631	●
50,00	62,00	8,00	C	metal	up to 1 MPa	PTFE F56101	B2PT	406798	●
50,00	62,00	10,00	B	metal	0,02	72 NBR 902	B1FUD	335124	●
50,00	65,00	7,00	AS	smooth	*	75 FKM 595	BABSL	340127	●
50,00	65,00	7,00	AS	smooth	*	72 NBR 902	BABSL	49009273	●
50,00	65,00	8,00	AS	smooth	*	72 NBR 902	BABSL	12001704	●
50,00	65,00	8,00	B	metal	0,02	72 NBR 902	B1FUD	334393	●
50,00	65,00	8,00	A	grooved	0,02	72 NBR 902	BAFUDX7	334500	●
50,00	65,00	8,00	A	grooved	0,05	75 FKM 585	BAUMX7	389801	●
50,00	65,00	8,00	AS	grooved	0,05	75 FKM 585	BAUSLX7	410188	●
50,00	65,00	8,00	AS	smooth	0,05	72 NBR 902	BAUSLX2	49008230	○
50,00	65,00	8,00	AS	smooth	0,02	72 NBR 902	BAFUDSL	532623	●
50,00	65,00	8,00	BS	metal	0,02	72 NBR 902	B1FUDSL	532632	●
50,00	65,00	8,00	A	smooth	0,05	72 NBR 902	BAU	8655	○
50,00	65,00	8,00	A	smooth	0,05	72 NBR 902	BAUSL	8659	○
50,00	65,00	10,00	B	metal	0,05	72 NBR 902	B1U	19520	●
50,00	65,00	10,00	C	metal	0,05	72 NBR 902	B2U	22752	●
50,00	65,00	10,00	AS	smooth	0,05	75 FKM 585	BAUMSL	455620	●
50,00	65,00	10,00	AS	smooth	0,05	72 NBR 902	BAUSLX2	455621	●
50,00	65,00	10,00	A	smooth	0,05	72 NBR 902	BAU	8662	●
50,00	65,00	10,00	-	smooth	0,05	72 NBR 902	MSS 1	525357	●
50,00	66,00	10,00	B	metal	0,05	72 NBR 902	B1	19521	●
50,00	68,00	7,00	AS	smooth	*	72 NBR 902	BABSL	327026	●
50,00	68,00	7,00	AS	smooth	*	75 FKM 595	BABSL	360204	●
50,00	68,00	8,00	AS	smooth	*	72 NBR 902	BABSL	12011526	●
50,00	68,00	8,00	B	metal	0,05	72 NBR 902	B1U	2600	●
50,00	68,00	8,00	A	grooved	0,05	75 FKM 585	BAUMX7	386015	●
50,00	68,00	8,00	C	metal	up to 1 MPa	PTFE F56101	B2PT	406801	●
50,00	68,00	8,00	AS	grooved	0,05	75 FKM 585	BAUSLX7	433708	●
50,00	68,00	8,00	BS	metal	0,02	72 NBR 902	B1FUDSL	438769	○
50,00	68,00	8,00	AS	smooth	0,05	72 NBR 902	BAUSLX2	475179	●
50,00	68,00	8,00	A	smooth	0,02	72 NBR 902	BAFUD	532624	●
50,00	68,00	10,00	AS	smooth	0,02	72 NBR 902	BAFUDSL	12011176	●
50,00	68,00	10,00	B	metal	0,05	72 NBR 902	B1U	19843	●
50,00	68,00	10,00	C	metal	0,05	72 NBR 902	B2U	23085	●
50,00	68,00	10,00	A	smooth	0,05	72 NBR 902	BAU	8668	●

● Available from stock ○ On request: Tool is available, delivery at short notice * → Diagram 2, page 18

d ₁	d ₂	b	DIN 3761	Outer surface	Pressure	Material	Type	Article No.	
50,00	68,00	12,00	C	metal	0,05	72 NBR 902	B2U	23086	●
50,00	68,00	12,00	A	smooth	0,05	72 NBR 902	BA	8670	●
50,00	68,00	14,00	B	metal	0,05	72 NBR 902	B1	19844	●
50,00	70,00	5,50	A	metal	un-pressurised	80 NBR 177458	MSC 01	508535	●
50,00	70,00	5,50	A	metal	un-pressurised	80 FKM 177459	MSC 01	508584	●
50,00	70,00	8,00	C	metal	up to 1 MPa	PTFE F56101	B2PT	406802	●
50,00	70,00	8,00	A	grooved	0,05	75 FKM 585	BAUMX7	411521	●
50,00	70,00	9,00	AS	grooved	0,02	72 NBR 902	BAFUDSLX7	365415	●
50,00	70,00	10,00	AS	smooth	0,02	72 NBR 902	BAFUDSL	12000520	●
50,00	70,00	10,00	C	metal	0,02	72 NBR 902	B2FUD	334346	●
50,00	70,00	10,00	B	metal	0,02	72 NBR 902	B1FUD	334394	●
50,00	70,00	10,00	A	grooved	0,02	72 NBR 902	BAFUDX7	334834	●
50,00	70,00	10,00	AS	smooth	*	72 NBR 902	BABSL	49023852	●
50,00	70,00	10,00	C	metal	0,05	75 FKM 595	B2	80614	○
50,00	70,00	12,00	C	metal	0,02	72 NBR 902	B2FUD	334347	●
50,00	70,00	12,00	B	metal	0,02	72 NBR 902	B1FUD	334672	●
50,00	70,00	12,00	A	smooth	0,05	72 NBR 902	BA	385267	○
50,00	70,00	12,00	A	smooth	0,05	72 NBR 902	BAU	8677	●
50,00	72,00	7,00	AS	smooth	*	72 NBR 902	BABSL	3036	●
50,00	72,00	7,00	AS	smooth	*	75 FKM 595	BABSL	418718	●
50,00	72,00	7,50	A	metal	un-pressurised	80 FKM 177459	MSC 02	508612	●
50,00	72,00	7,50	A	metal	un-pressurised	80 NBR 177458	MSC 02	508636	●
50,00	72,00	8,00	B	metal	0,02	72 NBR 902	B1FUD	335105	●
50,00	72,00	8,00	A	grooved	0,05	75 FKM 585	BAUMX7	388083	●
50,00	72,00	8,00	C	metal	up to 1 MPa	PTFE F56101	B2PT	406804	●
50,00	72,00	8,00	AS	grooved	0,05	75 FKM 585	BAUMSLX7	410430	●
50,00	72,00	8,00	A	smooth	0,02	72 NBR 902	BAFUD	49001627	●
50,00	72,00	8,00	AS	smooth	0,05	72 NBR 902	BAUSLX2	529406	●
50,00	72,00	8,00	C	metal	up to 1 MPa	PTFE F56101	B2PT	529450	○
50,00	72,00	10,00	CS	metal	0,05	72 NBR 902	B2USL	32425	●
50,00	72,00	10,00	BS	metal	0,02	72 NBR 902	B1FUDSL	335106	●
50,00	72,00	10,00	A	grooved	0,02	72 NBR 902	BAFUDX7	346653	●
50,00	72,00	10,00	C	metal	0,02	72 NBR 902	B2FUD	355458	●
50,00	72,00	10,00	B	metal	0,02	72 NBR 902	B1FUD	356350	●
50,00	72,00	10,00	A	smooth	0,05	72 NBR 902	BA	8694	●
50,00	72,00	12,00	CS	metal	0,05	72 NBR 902	B2SL	23599	●
50,00	72,00	12,00	AS	grooved	0,02	72 NBR 902	BAFUDSLX7	334835	●
50,00	72,00	12,00	C	metal	0,02	72 NBR 902	B2FUD	355449	●
50,00	72,00	12,00	B	metal	0,02	72 NBR 902	B1FUD	356347	●
50,00	72,00	12,00	AS	smooth	0,05	72 NBR 902	BAUSLX2	530502	●
50,00	75,00	7,00	AS	smooth	0,05	72 NBR 902	BAUSLX2	522367	●
50,00	75,00	8,00	AS	grooved	0,05	75 FKM 585	BAUMSLX7	468760	●
50,00	75,00	9,00	B	metal	0,05	72 NBR 902	B1	19849	●
50,00	75,00	10,00	A	smooth	0,05	72 NBR 902	BAU	8711	●
50,00	75,00	12,00	C	metal	0,02	72 NBR 902	B2FUD	334963	●
50,00	78,00	10,00	A	smooth	0,05	72 NBR 902	BAU	8713	●
50,00	78,00	13,00	C	metal	0,05	72 NBR 902	B2U	23093	●
50,00	80,00	8,00	B	metal	0,02	72 NBR 902	B1FUD	334929	●
50,00	80,00	8,00	A	grooved	0,05	75 FKM 585	BAUMX7	389830	●
50,00	80,00	8,00	AS	grooved	0,05	75 FKM 585	BAUMSLX7	477663	●

● Available from stock ○ On request: Tool is available, delivery at short notice * → Diagram 2, page 18

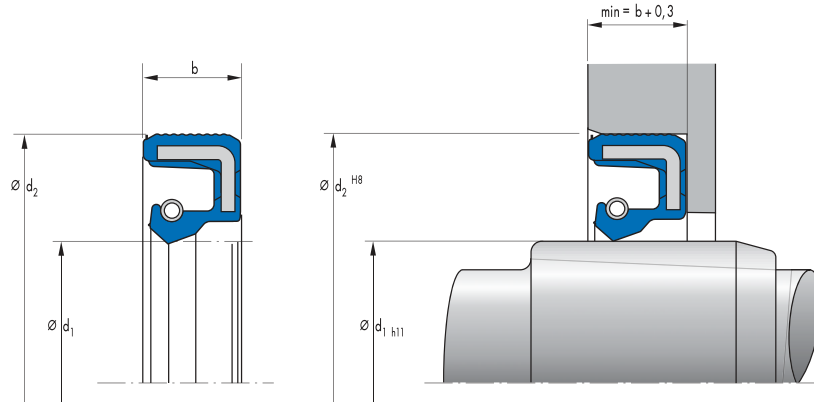


d ₁	d ₂	b	DIN 3761	Outer surface	Pressure	Material	Type	Article No.	
50,00	80,00	8,00	A	smooth	0,02	72 NBR 902	BAFUD	49001628	●
50,00	80,00	8,00	AS	smooth	0,05	72 NBR 902	BAUSLX2	522368	●
50,00	80,00	8,00	A	smooth	0,05	72 NBR 902	BAUX2	531107	●
50,00	80,00	10,00	C	metal	0,05	75 FKM 595	B2U	300325	○
50,00	80,00	10,00	B	metal	0,02	72 NBR 902	B1FUD	334930	●
50,00	80,00	10,00	C	metal	0,02	72 NBR 902	B2FUD	334964	●
50,00	80,00	10,00	AS	grooved	0,05	75 FKM 585	BAUMSLX7	405447	●
50,00	80,00	10,00	AS	grooved	0,05	72 NBR 902	BAUSLX27	451009	●
50,00	80,00	10,00	AS	smooth	0,05	75 FKM 585	BAUMSL	455622	●
50,00	80,00	10,00	AS	smooth	0,05	72 NBR 902	BAUSLX2	455623	●
50,00	80,00	10,00	A	smooth	0,05	72 NBR 902	BAUX2	49037530	●
50,00	80,00	10,00	AS	grooved	0,05	75 FKM 585	BAUMSLX7	526239	○
50,00	80,00	10,00	A	smooth	0,05	72 NBR 902	BAU	8716	●
50,00	80,00	10,00	-	smooth	0,05	72 NBR 902	MSS 1	525353	●
50,00	80,00	13,00	B	metal	0,05	72 NBR 902	B1	19851	○
50,00	80,00	13,00	C	metal	0,05	72 NBR 902	B2	23095	●
50,00	80,00	13,00	CS	metal	0,05	72 NBR 902	B2USL	23538	●
50,00	80,00	13,00	A	smooth	0,05	72 NBR 902	BAUSL	340571	●
50,00	80,00	13,00	A	smooth	0,05	72 NBR 902	BA	8720	●
50,00	85,00	10,00	AS	smooth	0,05	72 NBR 902	BAUSLX2	521126	●
50,00	85,00	13,00	C	metal	0,05	72 NBR 902	B2	23096	●
50,00	90,00	8,00	AS	grooved	0,05	72 NBR 902	BAUSLX27	49001660	●
50,00	90,00	8,00	AS	smooth	0,05	75 FKM 585	BAUMSL	49011966	●
50,00	90,00	10,00	B	metal	0,05	72 NBR 902	B1	19853	●
50,00	90,00	10,00	B	metal	0,05	72 NBR 902	B1U	426908	○
50,00	90,00	10,00	AS	smooth	0,05	75 FKM 585	BAUMSL	455624	●
50,00	90,00	10,00	AS	smooth	0,05	72 NBR 902	BAUSLX2	455625	●
50,00	90,00	10,00	A	smooth	0,05	72 NBR 902	BAUX2	531103	●
50,00	90,00	10,00	-	smooth	0,05	72 NBR 902	MSS 1	525358	●
50,00	90,00	13,00	C	metal	0,05	72 NBR 902	B2U	23097	●
50,00	110,00	10,00	AS	smooth	0,05	75 FKM 585	BAUMSL	49014240	●
50,00	110,00	10,00	AS	smooth	0,05	72 NBR 902	BAUSLX2	49014241	●
50,80	76,20	9,50	B	metal	0,05	72 NBR 902	B1	19855	●
50,80	76,20	12,70	C	metal	0,05	72 NBR 902	B2	23098	○
52,00	68,00	7,00	B	metal	0,05	72 NBR 902	B1U	19522	●
52,00	68,00	7,00	BS	metal	0,02	72 NBR 902	B1FUDSL	355473	●

● Available from stock ○ On request: Tool is available, delivery at short notice * → Diagram 2, page 18

d ₁	d ₂	b	DIN 3761	Outer surface	Pressure	Material	Type	Article No.	
52,00	68,00	8,00	AS	smooth	0,02	72 NBR 902	BAFUDSL	12013905	●
52,00	68,00	8,00	B	metal	0,05	72 NBR 902	B1U	19523	●
52,00	68,00	8,00	A	grooved	0,02	72 NBR 902	BAFUDX7	334316	●
52,00	68,00	8,00	A	grooved	0,05	75 FKM 585	BAUMX7	400964	●
52,00	68,00	8,00	AS	grooved	0,05	75 FKM 585	BAUMSLX7	409244	●
52,00	68,00	10,00	C	metal	0,05	72 NBR 902	B2U	22755	●
52,00	68,00	10,00	AS	smooth	*	72 NBR 902	BABSL	341297	●
52,00	68,00	10,00	AS	smooth	*	75 FKM 595	BABSL	49021367	●
52,00	68,00	10,00	A	smooth	0,05	72 NBR 902	BA	8742	●
52,00	69,00	12,00	C	metal	0,05	72 NBR 902	B2	22757	●
52,00	70,00	10,00	C	metal	0,05	72 NBR 902	B2U	22758	●
52,00	72,00	5,50	A	metal	un-pressurised	80 NBR 177458	MSC 01	508536	●
52,00	72,00	5,50	A	metal	un-pressurised	80 FKM 177459	MSC 01	508585	●
52,00	72,00	8,00	B	metal	0,05	72 NBR 902	B1	2655	●
52,00	72,00	8,00	A	grooved	0,02	72 NBR 902	BAFUDX7	355489	●
52,00	72,00	8,00	C	metal	up to 1 MPa	PTFE F56101	B2PT	362508	○
52,00	72,00	8,00	A	grooved	0,05	75 FKM 585	BAUMX7	389280	●
52,00	72,00	8,00	C	metal	up to 1 MPa	PTFE F56101	B2PT	406805	●
52,00	72,00	8,00	AS	grooved	0,05	75 FKM 585	BAUMSLX7	410422	●
52,00	72,00	10,00	B	metal	0,05	72 NBR 902	B1	19857	●
52,00	72,00	10,00	C	metal	0,05	72 NBR 902	B2U	22760	●
52,00	72,00	10,00	AS	smooth	0,05	72 NBR 902	BAUSLX2	470379	●
52,00	72,00	10,00	AS	smooth	0,05	75 FKM 585	BAUMSL	470380	●
52,00	72,00	10,00	A	smooth	0,05	72 NBR 902	BAU	8747	●
52,00	72,00	10,00	–	smooth	0,05	72 NBR 902	MSS 1	525379	●
52,00	72,00	12,00	B	metal	0,05	72 NBR 902	B1U	19859	●
52,00	72,00	12,00	B	metal	0,05	72 NBR 902	B1USL	20310	●
52,00	72,00	12,00	C	metal	0,05	72 NBR 902	B2U	23100	●
52,00	72,00	12,00	A	smooth	0,05	72 NBR 902	BA	8749	●
52,00	75,00	10,00	C	metal	0,05	72 NBR 902	B2U	3546	●
52,00	75,00	10,00	A	smooth	0,05	72 NBR 902	BA	8751	●
52,00	75,00	12,00	C	metal	0,05	72 NBR 902	B2U	23101	●
52,00	80,00	10,00	C	metal	0,05	72 NBR 902	B2	22761	●
52,00	80,00	10,00	AS	grooved	0,05	75 FKM 585	BAUMSLX7	532940	●
52,00	80,00	10,00	A	smooth	0,05	72 NBR 902	BA	8753	●
52,00	80,00	13,00	BS	metal	0,05	72 NBR 902	B1SL	20151	●
52,00	80,00	13,00	C	metal	0,05	72 NBR 902	B2U	23102	●
52,00	85,00	10,00	C	metal	0,05	72 NBR 902	B2	23104	●
52,00	85,00	10,00	AS	grooved	0,05	75 FKM 585	BAUMSLX7	465368	●
52,00	85,00	10,00	A	smooth	0,02	72 NBR 902	BAFUD	523559	●
52,00	85,00	10,00	A	smooth	0,05	72 NBR 902	BA	8763	●
52,00	85,00	13,00	C	metal	0,05	72 NBR 902	B2	23105	●
52,00	90,00	13,00	C	metal	0,05	72 NBR 902	B2U	23106	●
52,00	100,00	10,00	AS	smooth	0,05	75 FKM 585	BAUMSL	470340	●
52,00	100,00	10,00	AS	smooth	0,05	72 NBR 902	BAUSLX2	470342	●
52,00	100,00	10,00	A	grooved	0,05	75 FKM 585	BAUMX7	524706	●
52,00	100,00	10,00	–	smooth	0,05	72 NBR 902	MSS 1	525389	●
53,00	68,00	10,00	A	smooth	0,02	72 NBR 902	BAFUD	12010980	●
53,00	68,00	10,00	C	metal	0,05	72 NBR 902	B2U	22762	●
53,00	72,00	12,00	C	metal	0,05	72 NBR 902	B2	23108	●

● Available from stock ○ On request: Tool is available, delivery at short notice * → Diagram 2, page 18

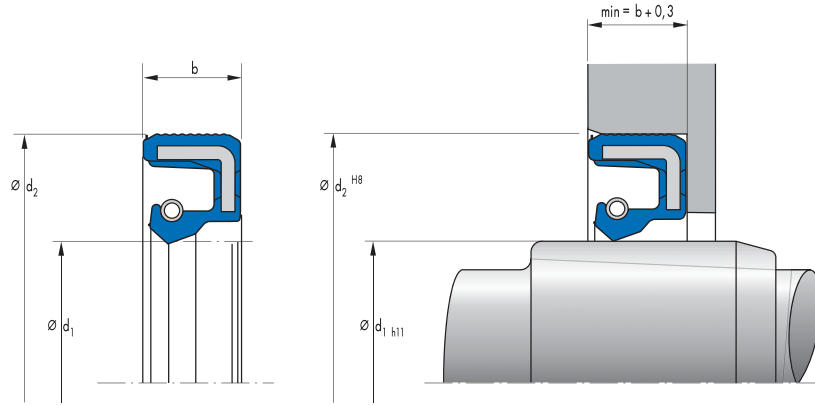


d_1	d_2	b	DIN 3761	Outer surface	Pressure	Material	Type	Article No.	
53,00	80,00	13,00	C	metal	0,05	72 NBR 902	B2U	23109	●
53,98	73,03	6,40	B	metal	0,05	72 NBR 902	B1	18428	●
53,98	76,20	12,50	C	metal	0,05	72 NBR 902	B2U	23112	●
54,00	70,00	8,00	AS	grooved	0,05	75 FKM 585	BAUMSLX7	532939	●
54,00	70,00	10,00	B	metal	0,05	72 NBR 902	B1U	21249	●
54,00	70,00	10,00	A	smooth	0,05	72 NBR 902	BA	8781	●
54,00	70,00	12,00	C	metal	0,05	72 NBR 902	B2U	22763	●
54,00	72,00	10,00	C	metal	0,05	72 NBR 902	B2U	22764	●
54,00	80,00	10,00	C	metal	0,05	72 NBR 902	B2	22765	●
54,00	80,00	13,00	C	metal	0,05	72 NBR 902	B2U	23116	●
54,00	81,00	10,00	AS	grooved	0,02	72 NBR 902	BAFUDSLX7	407530	●
54,00	85,00	10,00	C	metal	0,05	72 NBR 902	B2	22766	●
55,00	68,00	8,00	A	grooved	0,02	72 NBR 902	BAFUDX7	355483	●
55,00	68,00	8,00	AS	grooved	0,05	75 FKM 585	BAUMSLX7	520864	●
55,00	68,00	8,00	A	grooved	0,05	75 FKM 585	BAUMX7	525674	●
55,00	68,00	8,00	AS	smooth	0,05	72 NBR 902	BAUSLX2	525828	●
55,00	70,00	7,00	AS	smooth	*	72 NBR 902	BABSL	457349	●
55,00	70,00	7,00	A	smooth	0,05	72 NBR 902	BAUX2	520469	●
55,00	70,00	7,00	AS	smooth	0,05	72 NBR 902	BAUSLX2	521375	●
55,00	70,00	8,00	AS	smooth	*	72 NBR 902	BABSL	12001706	●
55,00	70,00	8,00	BS	metal	0,02	72 NBR 902	B1FUDSL	334395	●
55,00	70,00	8,00	B	metal	0,02	72 NBR 902	B1FUD	335111	●
55,00	70,00	8,00	C	metal	up to 1 MPa	PTFE F56101	B2PT	406820	●
55,00	70,00	8,00	AS	grooved	0,05	75 FKM 585	BAUMSLX7	476381	●
55,00	70,00	8,00	AS	smooth	0,02	72 NBR 902	BAFUDSL	49001656	●
55,00	70,00	8,00	A	smooth	0,05	72 NBR 902	BAUX2	528747	●
55,00	70,00	10,00	A	grooved	0,05	75 FKM 585	BAUMX7	386016	●
55,00	70,00	10,00	A	smooth	0,05	72 NBR 902	BAU	8799	●
55,00	72,00	7,00	AS	smooth	*	72 NBR 902	BABSL	13984	●
55,00	72,00	7,00	AS	smooth	*	75 FKM 595	BABSL	479065	●
55,00	72,00	7,00	AS	smooth	*	75 FKM 595	BABSL	49008285	●
55,00	72,00	8,00	AS	smooth	*	72 NBR 902	BABSL	12011530	●
55,00	72,00	8,00	B	metal	0,02	72 NBR 902	B1FUD	334676	●
55,00	72,00	8,00	A	grooved	0,05	75 FKM 585	BAUMX7	386017	●
55,00	72,00	8,00	AS	grooved	0,05	75 FKM 585	BAUMSLX7	407140	●
55,00	72,00	8,00	AS	smooth	0,05	72 NBR 902	BAUSLX2	476679	●

● Available from stock ○ On request: Tool is available, delivery at short notice * → Diagram 2, page 18

d ₁	d ₂	b	DIN 3761	Outer surface	Pressure	Material	Type	Article No.	
55,00	72,00	8,00	A	smooth	0,02	72 NBR 902	BAFUD	532625	●
55,00	72,00	10,00	B	metal	0,02	72 NBR 902	B1FUD	334370	●
55,00	72,00	10,00	C	metal	0,02	72 NBR 902	B2FUD	334677	●
55,00	72,00	10,00	BS	metal	0,02	72 NBR 902	B1FUDSL	335113	●
55,00	72,00	10,00	A	grooved	0,02	72 NBR 902	BAFUDX7	335477	●
55,00	72,00	10,00	C	metal	up to 1 MPa	PTFE F56101	B2PT	353545	●
55,00	72,00	10,00	AS	smooth	0,05	72 NBR 902	BAUSLX2	462742	●
55,00	72,00	10,00	AS	smooth	0,05	75 FKM 585	BAUMSL	462744	●
55,00	72,00	10,00	-	smooth	0,05	72 NBR 902	MSS 1	525360	●
55,00	72,00	10,00	-	smooth	0,05	75 FKM 585	MSS 1	525365	●
55,00	72,00	12,00	BS	metal	0,02	72 NBR 902	B1FUDSL	334279	●
55,00	72,00	12,00	C	metal	0,02	72 NBR 902	B2FUD	334333	●
55,00	72,00	12,00	B	metal	0,02	72 NBR 902	B1FUD	334675	●
55,00	75,00	5,50	A	metal	un-pressurised	80 NBR 177458	MSC 01	508537	●
55,00	75,00	5,50	A	metal	un-pressurised	80 FKM 177459	MSC 01	508586	●
55,00	75,00	7,00	AS	smooth	*	75 FKM 595	BABSL	418724	●
55,00	75,00	7,00	AS	smooth	*	72 NBR 902	BABSL	423894	●
55,00	75,00	8,00	AS	grooved	0,05	75 FKM 585	BAUMSLX7	410784	●
55,00	75,00	8,00	AS	smooth	0,05	72 NBR 902	BAUSLX2	475176	●
55,00	75,00	10,00	A	grooved	0,02	72 NBR 902	BAFUDX7	355484	●
55,00	75,00	10,00	A	smooth	0,05	72 NBR 902	BAU	366523	○
55,00	75,00	10,00	C	metal	0,05	72 NBR 902	B2U	80235	●
55,00	75,00	12,00	B	metal	0,02	72 NBR 902	B1FUD	334931	●
55,00	75,00	12,00	C	metal	0,02	72 NBR 902	B2FUD	334965	●
55,00	75,00	13,00	A	smooth	0,05	72 NBR 902	BAU	8815	●
55,00	75,00	15,00	A	smooth	0,05	72 NBR 902	BADUO	8817	○
55,00	77,00	7,50	A	metal	un-pressurised	80 FKM 177459	MSC 02	508613	●
55,00	77,00	7,50	A	metal	un-pressurised	80 NBR 177458	MSC 02	508637	●
55,00	78,00	10,00	AS	grooved	0,05	75 FKM 585	BAUMSLX7	474111	●
55,00	78,00	10,00	A	smooth	0,05	72 NBR 902	BA	8822	●
55,00	78,00	13,00	C	metal	0,05	72 NBR 902	B2	23118	●
55,00	80,00	8,00	A	grooved	0,05	75 FKM 585	BAUMX7	400987	●
55,00	80,00	8,00	C	metal	up to 1 MPa	PTFE F56101	B2PT	406821	●
55,00	80,00	8,00	AS	grooved	0,05	75 FKM 585	BAUMSLX7	521008	●
55,00	80,00	8,00	AS	smooth	0,05	72 NBR 902	BAUSLX2	524199	●
55,00	80,00	8,00	A	smooth	0,05	72 NBR 902	BAUX2	524644	●
55,00	80,00	8,00	B	metal	0,05	72 NBR 902	B1U	526428	●
55,00	80,00	10,00	B	metal	0,05	72 NBR 902	B1U	19865	●
55,00	80,00	10,00	C	metal	0,05	72 NBR 902	B2U	23119	●
55,00	80,00	10,00	CS	metal	0,02	72 NBR 902	B2FUDSL	334966	●
55,00	80,00	10,00	A	grooved	0,05	75 FKM 585	BAUMX7	388830	●
55,00	80,00	10,00	AS	smooth	0,05	72 NBR 902	BAUSLX2	524501	●
55,00	80,00	10,00	A	smooth	0,05	72 NBR 902	BAU	8825	●
55,00	80,00	12,00	C	metal	0,05	72 NBR 902	B2U	23120	●
55,00	80,00	13,00	B	metal	0,05	72 NBR 902	B1U	19866	●
55,00	80,00	13,00	BS	metal	0,02	72 NBR 902	B1FUDSL	334396	●
55,00	80,00	13,00	C	metal	0,05	72 NBR 902	B2U	3564	●
55,00	80,00	13,00	A	smooth	0,05	72 NBR 902	BAU	8834	●
55,00	85,00	8,00	B	metal	0,05	72 NBR 902	B1	2659	●
55,00	85,00	8,00	A	grooved	0,05	75 FKM 585	BAUMX7	411522	●

● Available from stock ○ On request: Tool is available, delivery at short notice * → Diagram 2, page 18

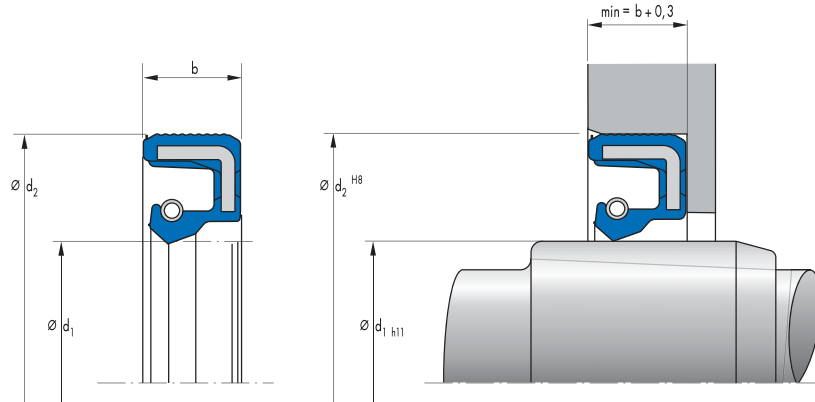


d ₁	d ₂	b	DIN 3761	Outer surface	Pressure	Material	Type	Article No.	
55,00	85,00	8,00	A	smooth	0,05	72 NBR 902	BAU	523560	●
55,00	85,00	10,00	C	metal	0,05	72 NBR 902	B2U	22769	●
55,00	85,00	10,00	A	grooved	0,05	75 FKM 585	BAUMX7	389288	●
55,00	85,00	10,00	A	smooth	0,05	72 NBR 902	BA	8836	●
55,00	85,00	13,00	B	metal	0,05	72 NBR 902	B1U	19868	●
55,00	85,00	13,00	C	metal	0,05	72 NBR 902	B2	23122	●
55,00	85,00	13,00	A	smooth	0,05	72 NBR 902	BAU	8838	●
55,00	90,00	8,00	AS	grooved	0,05	72 NBR 902	BAUSLX7	377885	●
55,00	90,00	8,00	AS	grooved	0,05	75 FKM 585	BAUMSLX7	477662	●
55,00	90,00	8,00	A	smooth	0,05	72 NBR 902	BAUX2	49009274	●
55,00	90,00	8,00	A	smooth	0,05	75 FKM 585	BAUM	49012068	●
55,00	90,00	8,00	AS	smooth	0,05	72 NBR 902	BAUSLX2	49033016	●
55,00	90,00	9,00	-	smooth	0,05	72 NBR 902	MSS 7	522351	●
55,00	90,00	10,00	AS	smooth	0,05	75 FKM 585	BAUMSL	455629	●
55,00	90,00	10,00	AS	smooth	0,05	72 NBR 902	BAUSLX2	455630	●
55,00	90,00	10,00	A	smooth	0,05	72 NBR 902	BAUX2	521240	●
55,00	90,00	10,00	-	smooth	0,05	72 NBR 902	MSS 1	525359	●
55,00	90,00	10,00	-	smooth	0,05	75 FKM 585	MSS 1	525364	○
55,00	90,00	13,00	C	metal	0,05	72 NBR 902	B2	23123	●
55,00	100,00	8,00	AS	smooth	0,05	72 NBR 902	BAUSLX2	49003306	●
55,00	100,00	8,00	AS	smooth	0,05	75 FKM 585	BAUMSL	49011965	●
55,00	100,00	10,00	AS	smooth	0,05	72 NBR 902	BAUSLX2	470437	●
55,00	100,00	10,00	AS	smooth	0,05	75 FKM 585	BAUMSL	470438	●
55,00	100,00	10,00	A	smooth	0,05	72 NBR 902	BAUX2	49002809	●
55,00	100,00	10,00	-	smooth	0,05	72 NBR 902	MSS 1	525393	●
55,00	100,00	10,00	-	smooth	0,05	75 FKM 585	MSS 1	525425	○
55,00	100,00	13,00	C	metal	0,05	72 NBR 902	B2U	23124	●
55,00	110,00	10,00	AS	grooved	0,05	75 FKM 585	BAUMSLX7	465367	●
56,00	70,00	8,00	AS	smooth	0,02	72 NBR 902	BAFUDSL	12011189	●
56,00	70,00	8,00	A	smooth	0,05	72 NBR 902	BA	27338	●
56,00	70,00	8,00	B	metal	0,05	72 NBR 902	B1	28930	●
56,00	70,00	8,00	AS	grooved	0,05	75 FKM 585	BAUMSLX7	407296	●
56,00	72,00	8,00	B	metal	0,05	72 NBR 902	B1U	19530	●
56,00	72,00	8,00	AS	grooved	0,05	75 FKM 585	BAUMSLX7	410420	●
56,00	72,00	8,00	A	smooth	0,05	72 NBR 902	BAU	8850	●
56,00	72,00	10,00	C	metal	0,05	72 NBR 902	B2	2838	●

● Available from stock ○ On request: Tool is available, delivery at short notice * → Diagram 2, page 18

d ₁	d ₂	b	DIN 3761	Outer surface	Pressure	Material	Type	Article No.	
56,00	72,00	10,00	A	smooth	0,05	72 NBR 902	BA	8856	●
56,00	78,00	13,00	C	metal	0,05	72 NBR 902	B2	23125	●
56,00	80,00	8,00	A	smooth	0,05	72 NBR 902	BA	2799	●
56,00	80,00	8,00	A	grooved	0,05	75 FKM 585	BAUMX7	411523	●
56,00	80,00	10,00	B	metal	0,05	72 NBR 902	B1U	19870	●
56,00	80,00	10,00	C	metal	0,05	72 NBR 902	B2U	22770	●
56,00	80,00	13,00	C	metal	0,05	72 NBR 902	B2	23126	○
56,00	85,00	8,00	A	smooth	0,05	72 NBR 902	BA	31451	●
56,00	85,00	8,00	A	grooved	0,05	75 FKM 585	BAUMX7	411524	●
56,00	85,00	8,00	A	smooth	0,02	72 NBR 902	BAFUD	523561	●
56,00	90,00	13,00	C	metal	0,05	72 NBR 902	B2	23128	●
57,00	72,00	9,00	B	metal	0,05	72 NBR 902	B1USL	520586	●
57,00	72,00	10,00	C	metal	0,05	72 NBR 902	B2U	22772	●
57,00	80,00	12,00	C	metal	0,05	72 NBR 902	B2	23129	●
57,00	85,00	10,00	C	metal	0,05	72 NBR 902	B2	22773	○
57,00	85,00	12,00	C	metal	0,05	72 NBR 902	B2	23130	●
57,00	90,00	13,00	B	metal	0,05	72 NBR 902	B1U	19873	●
57,00	90,00	13,00	C	metal	0,05	72 NBR 902	B2	23131	●
57,15	76,20	13,00	C	metal	0,05	72 NBR 902	B2	20608	●
57,15	82,55	9,50	B	metal	0,05	72 NBR 902	B1U	19874	●
58,00	72,00	8,00	B	metal	0,02	72 NBR 902	B1FUD	335183	●
58,00	72,00	8,00	A	grooved	0,05	75 FKM 585	BAUMX7	403099	●
58,00	72,00	8,00	A	smooth	0,02	72 NBR 902	BAFUD	49001629	●
58,00	72,00	8,00	AS	grooved	0,05	75 FKM 585	BAUMSLX7	49009508	●
58,00	75,00	10,00	A	grooved	0,02	72 NBR 902	BAFUDX7	334320	●
58,00	75,00	12,00	C	metal	0,02	72 NBR 902	B2FUD	334967	●
58,00	78,00	5,50	A	metal	un-pressurised	80 NBR 177458	MSC 01	508539	●
58,00	78,00	5,50	A	metal	un-pressurised	80 FKM 177459	MSC 01	508587	●
58,00	78,00	13,00	C	metal	0,05	72 NBR 902	B2U	22775	●
58,00	80,00	8,00	B	metal	0,05	72 NBR 902	B1U	14049	●
58,00	80,00	8,00	A	grooved	0,02	72 NBR 902	BAFUDX7	334839	●
58,00	80,00	8,00	A	grooved	0,05	75 FKM 585	BAUMX7	411526	●
58,00	80,00	8,00	AS	grooved	0,05	75 FKM 585	BAUMSLX7	478514	○
58,00	80,00	10,00	AS	grooved	0,02	72 NBR 902	BAFUDSLX7	12011190	●
58,00	80,00	10,00	C	metal	0,05	72 NBR 902	B2U	23133	●
58,00	80,00	10,00	CS	metal	0,05	72 NBR 902	B2USL	23431	●
58,00	80,00	10,00	A	smooth	0,05	72 NBR 902	BAU	8883	●
58,00	80,00	12,00	C	metal	0,05	72 NBR 902	B2U	23490	●
58,00	80,00	13,00	B	metal	0,05	72 NBR 902	B1U	19875	●
58,00	80,00	13,00	CS	metal	0,05	72 NBR 902	B2USL	23453	●
58,00	80,00	13,00	CS	metal	0,05	72 NBR 902	B2USL	457620	●
58,00	85,00	10,00	C	metal	0,05	72 NBR 902	B2U	22776	●
58,00	85,00	13,00	C	metal	0,05	72 NBR 902	B2	23134	●
58,00	90,00	10,00	A	smooth	0,02	72 NBR 902	BAFUD	12010996	●
58,00	90,00	13,00	C	metal	0,05	72 NBR 902	B2U	23135	●
60,00	70,00	7,00	B	metal	0,05	72 NBR 902	B1	18349	●
60,00	70,00	7,00	B	metal	un-pressurised	72 NBR 902	B1FOF	415873	○
60,00	72,00	7,00	AS	smooth	*	72 NBR 902	BABSL	377869	●
60,00	72,00	7,00	AS	smooth	*	72 NBR 902	BABSL	49001732	●
60,00	72,00	7,00	BS	metal	0,02	72 NBR 902	B1FUDSL	532633	●

● Available from stock ○ On request: Tool is available, delivery at short notice * → Diagram 2, page 18

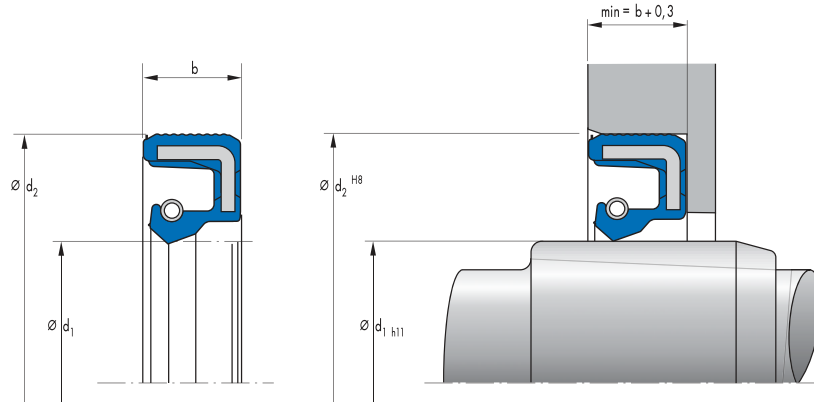


d ₁	d ₂	b	DIN 3761	Outer surface	Pressure	Material	Type	Article No.	
60,00	72,00	7,00	B	metal	0,02	72 NBR 902	B1FUD	532634	●
60,00	72,00	8,00	B	metal	0,02	72 NBR 902	B1FUD	334397	●
60,00	75,00	8,00	AS	smooth	*	72 NBR 902	BABSL	12001708	●
60,00	75,00	8,00	BS	metal	0,02	72 NBR 902	B1FUDSL	334398	●
60,00	75,00	8,00	B	metal	0,02	72 NBR 902	B1FUD	355634	●
60,00	75,00	8,00	C	metal	0,02	72 NBR 902	B2FUD	356373	●
60,00	75,00	8,00	A	smooth	0,05	72 NBR 902	BAU	390993	○
60,00	75,00	8,00	AS	grooved	0,05	75 FKM 585	BAUMSLX7	404321	●
60,00	75,00	8,00	C	metal	up to 1 MPa	PTFE F56101	B2PT	406823	●
60,00	75,00	8,00	A	grooved	0,05	75 FKM 585	BAUMX7	49015826	●
60,00	75,00	8,00	A	smooth	0,05	72 NBR 902	BAUX2	49017410	●
60,00	75,00	8,00	AS	smooth	0,05	72 NBR 902	BAUSLX2	524219	●
60,00	75,00	10,00	AS	smooth	*	75 FKM 595	BABSL	430573	●
60,00	78,00	10,00	B	metal	0,05	72 NBR 902	B1	19878	●
60,00	78,00	10,00	A	grooved	0,05	75 FKM 585	BAUMX7	49037121	●
60,00	78,00	10,00	A	smooth	0,05	72 NBR 902	BA	8909	●
60,00	78,00	13,00	C	metal	0,05	72 NBR 902	B2U	22777	●
60,00	80,00	5,50	A	metal	un-pressurised	80 NBR 177458	MSC 01	508540	●
60,00	80,00	5,50	A	metal	un-pressurised	80 FKM 177459	MSC 01	508588	●
60,00	80,00	7,00	AS	smooth	*	72 NBR 902	BABSL	335195	●
60,00	80,00	7,00	AS	smooth	*	75 FKM 595	BABSL	341551	○
60,00	80,00	7,00	AS	smooth	*	75 FKM 595	BABSL	418727	●
60,00	80,00	7,00	AS	smooth	*	75 FKM 595	BABSL	463704	○
60,00	80,00	7,00	AS	smooth	*	75 FKM 595	BABSL	529503	●
60,00	80,00	8,00	A	grooved	0,02	72 NBR 902	BAFUDX7	334321	●
60,00	80,00	8,00	B	metal	0,02	72 NBR 902	B1FUD	335117	●
60,00	80,00	8,00	C	metal	up to 1 MPa	PTFE F56101	B2PT	406825	●
60,00	80,00	8,00	AS	grooved	0,05	75 FKM 585	BAUMSLX7	407294	●
60,00	80,00	8,00	AS	smooth	0,05	72 NBR 902	BAUSLX2	49028650	●
60,00	80,00	8,00	AS	smooth	0,05	72 NBR 902	BAUSLX2	49030494	●
60,00	80,00	8,00	A	grooved	0,05	75 FKM 585	BAUMX7	520224	●
60,00	80,00	8,00	C	metal	up to 1 MPa	PTFE F56101	B2PT	529451	○
60,00	80,00	10,00	B	metal	0,02	72 NBR 902	B1FUD	334399	●
60,00	80,00	10,00	C	metal	0,02	72 NBR 902	B2FUD	334968	●
60,00	80,00	10,00	B	metal	0,05	72 NBR 902	B1U	349	○
60,00	80,00	10,00	C	metal	up to 1 MPa	PTFE F56101	B2PT	353546	○

● Available from stock ○ On request: Tool is available, delivery at short notice * → Diagram 2, page 18

d ₁	d ₂	b	DIN 3761	Outer surface	Pressure	Material	Type	Article No.	
60,00	80,00	10,00	A	grooved	0,05	75 FKM 585	BAUMX7	386182	●
60,00	80,00	10,00	A	smooth	0,05	72 NBR 902	BAUX2	49020336	●
60,00	80,00	10,00	AS	smooth	0,05	72 NBR 902	BAUSLX2	529407	●
60,00	80,00	10,00	A	smooth	0,05	72 NBR 902	BAU	8920	○
60,00	80,00	10,00	AS	smooth	0,05	72 NBR 902	BASL	8927	●
60,00	80,00	12,00	B	metal	0,05	72 NBR 902	B1USL	32991	●
60,00	80,00	12,00	B	metal	0,02	72 NBR 902	B1FUD	334932	●
60,00	80,00	12,00	C	metal	0,02	72 NBR 902	B2FUD	334969	●
60,00	80,00	13,00	BS	metal	0,05	72 NBR 902	B1SL	20158	●
60,00	80,00	13,00	CS	metal	0,05	72 NBR 902	B2USL	23534	●
60,00	80,00	13,00	B	metal	0,02	72 NBR 902	B1FUD	334933	●
60,00	80,00	13,00	C	metal	0,02	72 NBR 902	B2FUD	334970	●
60,00	80,00	13,00	AS	smooth	0,05	72 NBR 902	BAUSLX2	49040138	●
60,00	82,00	7,50	A	metal	un-pressurised	80 FKM 177459	MSC 02	508614	●
60,00	82,00	7,50	A	metal	un-pressurised	80 NBR 177458	MSC 02	508638	●
60,00	85,00	8,00	AS	smooth	0,02	72 NBR 902	BAFUDSL	12011193	●
60,00	85,00	8,00	A	smooth	0,05	75 FKM 595	BAUM	121907	○
60,00	85,00	8,00	AS	smooth	*	72 NBR 902	BABSL	146437	●
60,00	85,00	8,00	A	grooved	0,02	72 NBR 902	BAFUDX7	334322	●
60,00	85,00	8,00	B	metal	0,02	72 NBR 902	B1FUD	334400	●
60,00	85,00	8,00	A	grooved	0,05	75 FKM 585	BAUMX7	389828	●
60,00	85,00	10,00	C	metal	0,02	72 NBR 902	B2FUD	334693	●
60,00	85,00	10,00	A	grooved	0,02	72 NBR 902	BAFUDX7	334842	●
60,00	85,00	10,00	AS	smooth	0,05	75 FKM 585	BAUMSL	384292	●
60,00	85,00	12,00	C	metal	0,02	72 NBR 902	B2FUD	334692	●
60,00	85,00	13,00	C	metal	0,02	72 NBR 902	B2FUD	334332	●
60,00	85,00	13,00	B	metal	0,02	72 NBR 902	B1FUD	334401	●
60,00	85,00	13,00	BS	metal	0,02	72 NBR 902	B1FUDSL	346132	●
60,00	85,00	13,00	A	smooth	0,05	72 NBR 902	BA	8941	●
60,00	90,00	8,00	AS	smooth	0,02	72 NBR 902	BAFUDSL	12011194	●
60,00	90,00	8,00	B	metal	0,02	72 NBR 902	B1FUD	334667	●
60,00	90,00	8,00	A	grooved	0,02	72 NBR 902	BAFUDX7	334844	●
60,00	90,00	8,00	A	grooved	0,05	75 FKM 585	BAUMX7	400796	●
60,00	90,00	8,00	AS	grooved	0,05	75 FKM 585	BAUMSLX7	407448	●
60,00	90,00	8,00	A	smooth	0,05	72 NBR 902	BAUX2	49037534	●
60,00	90,00	8,00	AS	smooth	0,05	72 NBR 902	BAUSLX2	524647	●
60,00	90,00	9,00	AS	smooth	0,05	72 NBR 902	BAUSLX2	522366	●
60,00	90,00	10,00	B	metal	0,05	72 NBR 902	B1USL	20160	●
60,00	90,00	10,00	C	metal	0,02	72 NBR 902	B2FUD	334353	●
60,00	90,00	10,00	B	metal	0,02	72 NBR 902	B1FUD	334666	●
60,00	90,00	10,00	A	grooved	0,05	75 FKM 585	BAUMX7	389605	●
60,00	90,00	10,00	A	smooth	0,05	72 NBR 902	BAU	8952	●
60,00	90,00	12,00	B	metal	0,02	72 NBR 902	B1FUD	334665	●
60,00	90,00	12,00	C	metal	0,02	72 NBR 902	B2FUD	334668	●
60,00	90,00	13,00	B	metal	0,05	72 NBR 902	B1USL	20161	●
60,00	90,00	13,00	A	grooved	0,02	72 NBR 902	BAFUDX7	334234	●
60,00	90,00	13,00	B	metal	0,02	72 NBR 902	B1FUD	396861	●
60,00	95,00	8,00	AS	grooved	0,05	75 FKM 585	BAUMSLX7	468761	●
60,00	95,00	10,00	AS	smooth	0,02	72 NBR 902	BAFUDSL	12000533	●
60,00	95,00	10,00	A	smooth	0,05	72 NBR 902	BAUX2	525827	●

● Available from stock ○ On request: Tool is available, delivery at short notice * → Diagram 2, page 18

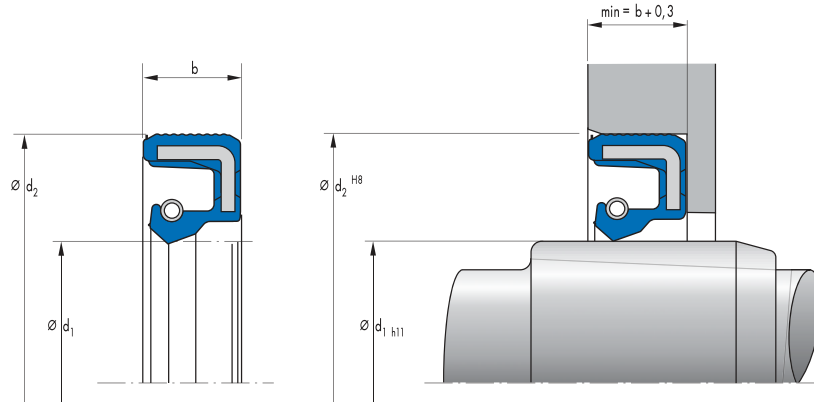


d ₁	d ₂	b	DIN 3761	Outer surface	Pressure	Material	Type	Article No.	
60,00	95,00	13,00	C	metal	0,05	72 NBR 902	B2U	23142	●
60,00	100,00	10,00	AS	smooth	0,05	72 NBR 902	BAUSLX2	49011493	●
60,00	100,00	10,00	A	grooved	0,05	75 FKM 585	BAUMX7	524450	●
60,00	100,00	10,00	A	smooth	0,05	72 NBR 902	BAU	8963	●
60,00	110,00	10,00	A	grooved	0,05	75 FKM 585	BAUMX7	478357	●
60,00	110,00	10,00	AS	smooth	0,05	72 NBR 902	BAUSLX2	479624	●
60,00	110,00	10,00	AS	smooth	0,05	75 FKM 585	BAUMSL	49012130	●
60,00	110,00	10,00	A	smooth	0,05	72 NBR 902	BAUX2	530010	●
60,00	110,00	10,00	-	smooth	0,05	72 NBR 902	MSS 7	477237	●
60,00	110,00	12,00	AS	smooth	0,05	75 FKM 585	BAUMSL	455631	●
60,00	110,00	12,00	AS	smooth	0,05	72 NBR 902	BAUSLX2	455632	●
60,00	110,00	12,00	-	smooth	0,05	72 NBR 902	MSS 1	525366	●
60,00	110,00	12,00	-	smooth	0,05	75 FKM 585	MSS 1	525369	●
60,00	110,00	13,00	A	smooth	0,05	72 NBR 902	BA	8965	●
61,00	75,00	8,00	B	metal	0,05	72 NBR 902	B1	19542	●
61,00	85,00	13,00	C	metal	0,05	72 NBR 902	B2U	23145	○
62,00	75,00	10,00	B	metal	0,05	72 NBR 902	B1	21017	●
62,00	80,00	10,00	C	metal	0,05	72 NBR 902	B2U	23148	●
62,00	80,00	10,00	A	smooth	0,05	72 NBR 902	BA	8978	●
62,00	80,00	12,00	C	metal	0,05	72 NBR 902	B2U	11647	●
62,00	82,00	5,50	A	metal	un-pressurised	80 NBR 177458	MSC 01	508544	●
62,00	82,00	5,50	A	metal	un-pressurised	80 FKM 177459	MSC 01	508589	●
62,00	85,00	7,00	AS	smooth	*	72 NBR 902	BABSL	106214	●
62,00	85,00	7,00	AS	smooth	*	75 FKM 595	BABSL	363452	●
62,00	85,00	10,00	B	metal	0,05	72 NBR 902	B1	19889	●
62,00	85,00	10,00	C	metal	0,05	72 NBR 902	B2U	23149	●
62,00	85,00	10,00	A	grooved	0,05	75 FKM 585	BAUMX7	400994	●
62,00	85,00	10,00	A	smooth	0,05	72 NBR 902	BA	8983	●
62,00	85,00	12,00	C	metal	0,05	72 NBR 902	B2	2503	●
62,00	85,00	13,00	C	metal	0,05	72 NBR 902	B2U	23150	●
62,00	85,00	13,00	CS	metal	0,05	72 NBR 902	B2USL	23433	●
62,00	90,00	10,00	C	metal	0,05	72 NBR 902	B2U	22780	●
62,00	90,00	10,00	B	metal	0,05	72 NBR 902	B1	31506	●
62,00	90,00	10,00	A	grooved	0,02	72 NBR 902	BAFUDX7	334847	●
62,00	90,00	10,00	A	grooved	0,05	75 FKM 585	BAUMX7	402395	●
62,00	90,00	10,00	AS	grooved	0,05	75 FKM 585	BAUMSLX7	520029	○

● Available from stock ○ On request: Tool is available, delivery at short notice * → Diagram 2, page 18

d ₁	d ₂	b	DIN 3761	Outer surface	Pressure	Material	Type	Article No.	
62,00	90,00	10,00	A	smooth	0,05	72 NBR 902	BAU	523562	○
62,00	90,00	12,00	C	metal	0,05	72 NBR 902	B2U	23151	●
62,00	90,00	12,00	AS	smooth	0,05	72 NBR 902	BAUSLX2	470364	●
62,00	90,00	12,00	AS	smooth	0,05	75 FKM 585	BAUMSL	470365	●
62,00	90,00	12,00	–	smooth	0,05	72 NBR 902	MSS 1	525384	●
62,00	90,00	12,00	–	smooth	0,05	75 FKM 585	MSS 1	525422	●
62,00	90,00	13,00	B	metal	0,05	72 NBR 902	B1U	19890	●
62,00	95,00	13,00	B	metal	0,05	72 NBR 902	B1U	19891	●
62,00	100,00	13,00	C	metal	0,05	72 NBR 902	B2	23152	●
62,00	120,00	12,00	AS	smooth	0,05	72 NBR 902	BAUSLX2	470345	●
62,00	120,00	12,00	AS	smooth	0,05	75 FKM 585	BAUMSL	470347	●
62,00	120,00	12,00	–	smooth	0,05	72 NBR 902	MSS 1	525400	●
63,00	85,00	10,00	B	metal	0,05	72 NBR 902	B1	18195	●
63,00	85,00	10,00	C	metal	0,05	72 NBR 902	B2U	23153	●
63,00	85,00	10,00	A	smooth	0,05	72 NBR 902	BAU	2794	●
63,00	85,00	10,00	A	grooved	0,05	75 FKM 585	BAUMX7	411527	●
63,00	85,00	12,00	C	metal	0,05	72 NBR 902	B2U	14876	●
63,00	85,00	13,00	C	metal	0,05	72 NBR 902	B2	23154	●
63,00	90,00	10,00	A	smooth	0,05	72 NBR 902	BA	14877	●
63,00	90,00	10,00	AS	grooved	0,05	75 FKM 585	BAUMSLX7	410417	●
63,00	90,00	10,00	A	grooved	0,05	75 FKM 585	BAUMX7	411528	●
63,00	90,00	12,00	C	metal	0,05	72 NBR 902	B2	2792	●
63,50	82,55	9,50	C	metal	0,05	72 NBR 902	B2U	23156	●
64,00	80,00	8,00	A	smooth	0,02	72 NBR 902	BAFUD	12011006	●
64,00	80,00	8,00	B	metal	0,05	72 NBR 902	B1	121796	●
64,00	80,00	13,00	C	metal	0,05	72 NBR 902	B2	22781	●
64,00	85,00	10,00	C	metal	0,05	72 NBR 902	B2U	23545	●
64,00	85,00	13,00	C	metal	0,05	72 NBR 902	B2U	23160	●
64,00	90,00	10,00	C	metal	0,05	72 NBR 902	B2U	22782	●
64,00	90,00	10,00	AS	grooved	0,05	75 FKM 585	BAUMSLX7	532938	●
64,00	90,00	10,00	A	smooth	0,05	72 NBR 902	BA	9003	●
64,00	90,00	13,00	B	metal	0,05	72 NBR 902	B1USL	20108	●
64,00	90,00	13,00	C	metal	0,05	72 NBR 902	B2	23161	●
64,00	90,00	13,00	CS	metal	0,05	72 NBR 902	B2USL	23454	●
65,00	75,00	8,00	B	metal	un-pressurised	72 NBR 902	B1OF	532635	●
65,00	80,00	7,00	AS	smooth	*	72 NBR 902	BABSL	12001711	●
65,00	80,00	7,00	B	metal	0,05	72 NBR 902	B1USL	37031	○
65,00	80,00	8,00	B	metal	0,02	72 NBR 902	B1FUD	334402	●
65,00	80,00	8,00	A	grooved	0,02	72 NBR 902	BAFUDX7	355414	●
65,00	80,00	8,00	B	metal	0,02	75 FKM 595	B1FUD	459463	○
65,00	80,00	8,00	AS	grooved	0,05	75 FKM 585	BAUMSLX7	474109	●
65,00	80,00	8,00	AS	grooved	0,05	72 NBR 902	BAUSLX7	49033418	○
65,00	80,00	8,00	A	grooved	0,05	75 FKM 585	BAUMX7	520225	●
65,00	80,00	10,00	C	metal	up to 1 MPa	PTFE F56101	B2PT	406826	●
65,00	85,00	5,50	A	metal	un-pressurised	80 NBR 177458	MSC 01	508546	●
65,00	85,00	5,50	A	metal	un-pressurised	80 FKM 177459	MSC 01	508590	●
65,00	85,00	10,00	AS	smooth	0,02	72 NBR 902	BAFUDSL	12011195	●
65,00	85,00	10,00	A	grooved	0,02	72 NBR 902	BAFUDX7	334324	●
65,00	85,00	10,00	B	metal	0,02	72 NBR 902	B1FUD	334375	●
65,00	85,00	10,00	C	metal	0,02	72 NBR 902	B2FUD	334697	●

● Available from stock ○ On request: Tool is available, delivery at short notice * → Diagram 2, page 18

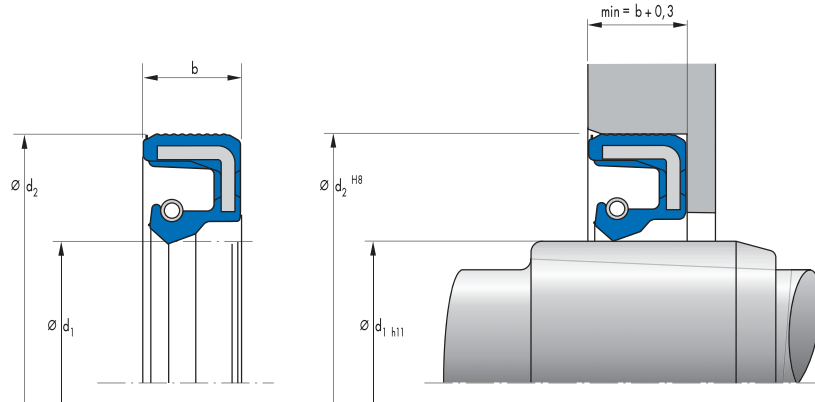


d ₁	d ₂	b	DIN 3761	Outer surface	Pressure	Material	Type	Article No.	
65,00	85,00	10,00	C	metal	0,05	75 FKM 585	B2U	389134	○
65,00	85,00	10,00	A	grooved	0,05	75 FKM 585	BAUMX7	389826	●
65,00	85,00	10,00	AS	grooved	0,05	75 FKM 585	BAUMSLX7	389999	●
65,00	85,00	10,00	B	metal	0,05	75 FKM 595	B1U	405903	○
65,00	85,00	10,00	C	metal	up to 1 MPa	PTFE F56101	B2PT	406827	●
65,00	85,00	10,00	AS	smooth	*	75 FKM 595	BABSL	49017957	○
65,00	85,00	10,00	A	smooth	0,05	72 NBR 902	BAU	9011	○
65,00	85,00	12,00	C	metal	0,02	72 NBR 902	B2FUD	334696	●
65,00	85,00	12,00	A	grooved	0,05	75 FKM 585	BAUMX7	389292	●
65,00	85,00	12,00	AS	smooth	0,05	72 NBR 902	BAUSLX2	470431	●
65,00	85,00	12,00	AS	smooth	0,05	75 FKM 585	BAUMSL	470432	●
65,00	85,00	12,00	-	smooth	0,05	72 NBR 902	MSS 1	525383	●
65,00	85,00	13,00	BS	metal	0,05	75 FKM 595	B1SL	322198	○
65,00	85,00	13,00	C	metal	0,02	72 NBR 902	B2FUD	334336	●
65,00	85,00	13,00	B	metal	0,02	72 NBR 902	B1FUD	334683	●
65,00	85,00	13,00	BS	metal	0,02	72 NBR 902	B1FUDSL	335118	●
65,00	85,00	13,00	AS	grooved	0,02	72 NBR 902	BAFUDSLX7	355410	●
65,00	85,00	13,00	A	smooth	0,05	72 NBR 902	BA	9015	●
65,00	87,00	7,50	A	metal	un-pressurised	80 FKM 177459	MSC 02	508615	●
65,00	87,00	7,50	A	metal	un-pressurised	80 NBR 177458	MSC 02	508639	●
65,00	90,00	7,00	AS	smooth	*	72 NBR 902	BABSL	146271	●
65,00	90,00	7,00	AS	smooth	*	75 FKM 595	BABSL	418822	●
65,00	90,00	8,00	AS	smooth	0,05	72 NBR 902	BAUSLX2	49017459	●
65,00	90,00	8,00	AS	smooth	0,05	75 FKM 585	BAUMSL	49017460	●
65,00	90,00	10,00	B	metal	0,05	72 NBR 902	B1USL	20163	●
65,00	90,00	10,00	B	metal	0,02	72 NBR 902	B1FUD	334662	●
65,00	90,00	10,00	C	metal	0,02	72 NBR 902	B2FUD	334664	●
65,00	90,00	10,00	A	grooved	0,05	75 FKM 585	BAUMX7	403074	●
65,00	90,00	10,00	AS	grooved	0,05	75 FKM 585	BAUMSLX7	416246	●
65,00	90,00	10,00	B	metal	0,02	72 NBR 902	B1FUD	424794	○
65,00	90,00	10,00	B	metal	0,05	72 NBR 902	B1USL	436123	○
65,00	90,00	10,00	AS	smooth	0,05	72 NBR 902	BAUSLX2	524504	●
65,00	90,00	10,00	A	smooth	0,05	72 NBR 902	BAUX2	527119	●
65,00	90,00	10,00	B	metal	0,05	75 FKM 595	B1USL	533459	○
65,00	90,00	12,00	C	metal	0,02	72 NBR 902	B2FUD	334352	●
65,00	90,00	12,00	B	metal	0,02	72 NBR 902	B1FUD	334661	●

● Available from stock ○ On request: Tool is available, delivery at short notice * → Diagram 2, page 18

d ₁	d ₂	b	DIN 3761	Outer surface	Pressure	Material	Type	Article No.	
65,00	90,00	12,00	CS	metal	0,05	72 NBR 902	B2USL	34900	●
65,00	90,00	12,00	A	grooved	0,05	75 FKM 585	BAUMX7	389584	●
65,00	90,00	13,00	B	metal	0,05	72 NBR 902	B1USL	20109	●
65,00	90,00	13,00	B	metal	0,02	72 NBR 902	B1FUD	334660	●
65,00	90,00	13,00	C	metal	0,02	72 NBR 902	B2FUD	334663	●
65,00	90,00	13,00	B	metal	0,05	72 NBR 902	B1USL	523400	●
65,00	90,00	13,00	A	smooth	0,05	72 NBR 902	BA	9030	●
65,00	95,00	10,00	A	grooved	0,02	72 NBR 902	BAFUDX7	334849	●
65,00	95,00	10,00	A	grooved	0,05	75 FKM 585	BAUMX7	411733	●
65,00	95,00	13,00	C	metal	0,05	72 NBR 902	B2U	23166	●
65,00	100,00	10,00	B	metal	0,05	72 NBR 902	B1U	21164	●
65,00	100,00	10,00	C	metal	0,05	72 NBR 902	B2U	22783	●
65,00	100,00	10,00	A	grooved	0,05	75 FKM 585	BAUMX7	401003	●
65,00	100,00	10,00	AS	grooved	0,05	75 FKM 585	BAUMSLX7	410408	●
65,00	100,00	10,00	AS	grooved	0,05	72 NBR 902	BAUSLX7	451669	●
65,00	100,00	10,00	A	smooth	0,02	72 NBR 902	BAFUD	49001654	●
65,00	100,00	10,00	AS	smooth	0,05	72 NBR 902	BAUSLX2	49001671	●
65,00	100,00	10,00	–	smooth	0,05	72 NBR 902	MSS 7	522350	●
65,00	100,00	12,00	C	metal	0,05	72 NBR 902	B2	19775	●
65,00	100,00	12,00	AS	smooth	0,05	72 NBR 902	BAUSLX2	470433	●
65,00	100,00	12,00	AS	smooth	0,05	75 FKM 585	BAUMSL	470434	●
65,00	100,00	12,00	A	smooth	0,05	72 NBR 902	BA	9041	●
65,00	100,00	12,00	–	smooth	0,05	72 NBR 902	MSS 1	525394	●
65,00	100,00	12,00	–	smooth	0,05	75 FKM 585	MSS 1	525426	●
65,00	100,00	13,00	C	metal	0,05	72 NBR 902	B2U	23167	●
65,00	100,00	13,00	BS	metal	0,02	72 NBR 902	B1FUDSL	335119	●
65,00	110,00	10,00	AS	smooth	0,05	72 NBR 902	BAUSLX2	522256	●
65,00	120,00	10,00	A	grooved	0,05	72 NBR 902	BAUX27	450736	●
65,00	120,00	10,00	AS	grooved	0,05	72 NBR 902	BAUSLX27	450737	●
65,00	120,00	10,00	AS	smooth	0,05	75 FKM 585	BAUMSL	49011962	●
65,00	120,00	10,00	A	smooth	0,05	75 FKM 585	BAUM	49012129	●
65,00	120,00	10,00	AS	smooth	0,05	72 NBR 902	BAUSLX2	49037439	●
65,00	120,00	10,00	A	smooth	0,05	72 NBR 902	BAUX2	49037440	●
65,00	120,00	12,00	AS	smooth	0,05	75 FKM 585	BAUMSL	455633	●
65,00	120,00	12,00	AS	smooth	0,05	72 NBR 902	BAUSLX2	455634	●
65,00	120,00	12,00	–	smooth	0,05	72 NBR 902	MSS 1	525367	●
65,00	120,00	12,00	–	smooth	0,05	75 FKM 585	MSS 1	525370	●
65,00	140,00	12,00	AS	smooth	0,05	75 FKM 585	BAUMSL	455635	●
65,00	140,00	12,00	AS	smooth	0,05	72 NBR 902	BAUSLX2	455636	●
65,00	140,00	12,00	A	smooth	0,05	72 NBR 902	BAUX2	475367	●
65,00	140,00	12,00	–	smooth	0,05	72 NBR 902	MSS 1	525368	●
66,00	90,00	13,00	C	metal	0,05	72 NBR 902	B2	23171	●
67,00	80,00	10,00	B	metal	0,05	72 NBR 902	B1	21022	●
67,00	85,00	10,00	C	metal	0,02	72 NBR 902	B2FUD	334972	●
67,00	85,00	10,00	C	metal	0,05	72 NBR 902	B2U	415598	●
67,00	90,00	10,00	C	metal	0,05	72 NBR 902	B2	22784	●
67,00	90,00	10,00	A	smooth	0,05	72 NBR 902	BAUSL	464665	○
67,00	90,00	10,00	AS	grooved	0,05	75 FKM 585	BAUMSLX7	531790	●
67,00	90,00	13,00	C	metal	0,05	72 NBR 902	B2	23174	●
68,00	78,00	7,00	B	metal	0,05	72 NBR 902	B1	26008	●

● Available from stock ○ On request: Tool is available, delivery at short notice * → Diagram 2, page 18

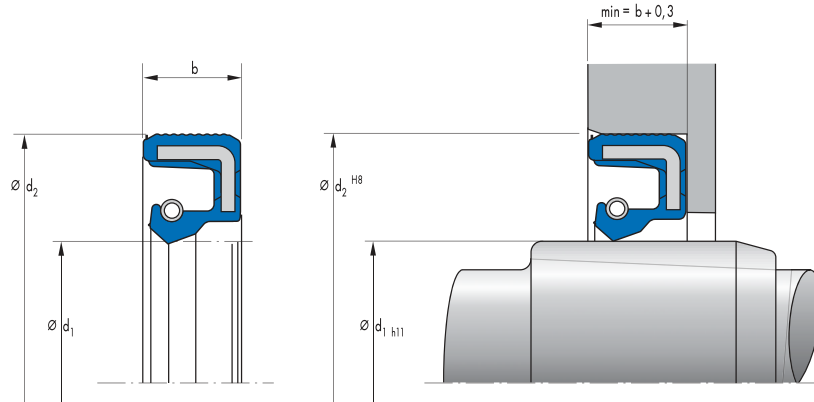


d_1	d_2	b	DIN 3761	Outer surface	Pressure	Material	Type	Article No.	
68,00	80,00	7,00	AS	smooth	*	72 NBR 902	BABSL	323546	○
68,00	85,00	10,00	B	metal	0,02	72 NBR 902	B1FUD	334403	●
68,00	85,00	10,00	A	grooved	0,02	72 NBR 902	BAFUDX7	411221	●
68,00	87,00	8,00	AS	smooth	0,02	72 NBR 902	BAFUDSL	12011197	●
68,00	88,00	5,50	A	metal	un-pressurised	80 NBR 177458	MSC 01	508547	●
68,00	88,00	5,50	A	metal	un-pressurised	80 FKM 177459	MSC 01	508591	●
68,00	90,00	10,00	AS	smooth	*	72 NBR 902	BABSL	12011532	●
68,00	90,00	10,00	C	metal	0,05	72 NBR 902	B2	23176	●
68,00	90,00	10,00	B	metal	0,05	72 NBR 902	B1U	23827	●
68,00	90,00	10,00	A	grooved	0,02	72 NBR 902	BAFUDX7	355406	●
68,00	90,00	10,00	CS	metal	0,05	72 NBR 902	B2SL	38056	●
68,00	90,00	10,00	A	grooved	0,05	75 FKM 585	BAUMX7	389793	●
68,00	90,00	10,00	AS	grooved	0,05	75 FKM 585	BAUMSLX7	407291	●
68,00	90,00	10,00	B	metal	0,05	72 NBR 902	B1USL	66622	●
68,00	90,00	10,00	A	smooth	0,05	72 NBR 902	BAUSL	9060	●
68,00	90,00	12,00	C	metal	0,05	72 NBR 902	B2U	23177	●
68,00	90,00	13,00	B	metal	0,05	72 NBR 902	B1U	19904	●
68,00	90,00	13,00	BS	metal	0,02	72 NBR 902	B1FUDSL	335120	●
68,00	95,00	13,00	C	metal	0,05	72 NBR 902	B2U	23178	●
68,00	100,00	10,00	C	metal	0,05	72 NBR 902	B2	23180	●
68,00	100,00	10,00	A	grooved	0,05	75 FKM 585	BAUMX7	411777	●
68,00	100,00	10,00	A	smooth	0,05	72 NBR 902	BA	9062	●
68,00	100,00	12,00	C	metal	0,05	72 NBR 902	B2U	23179	●
69,00	90,00	10,00	A	smooth	0,05	72 NBR 902	BAU	9066	●
69,85	104,75	14,20	AS	smooth	0,05	75 FKM 595	BAUMSL	429414	○
70,00	80,00	8,00	BS	metal	0,02	72 NBR 902	B1FUDSL	456301	●
70,00	85,00	7,00	A	grooved	0,02	72 NBR 902	BAFUDX7	355485	●
70,00	85,00	8,00	B	metal	0,02	72 NBR 902	B1FUD	334267	●
70,00	85,00	8,00	A	grooved	0,02	72 NBR 902	BAFUDX7	334851	●
70,00	85,00	8,00	BS	metal	0,02	72 NBR 902	B1FUDSL	346133	●
70,00	85,00	8,00	A	grooved	0,05	75 FKM 585	BAUMX7	407045	●
70,00	85,00	8,00	AS	smooth	0,05	72 NBR 902	BAUSLX2	524145	●
70,00	85,00	8,00	AS	grooved	0,05	75 FKM 585	BAUMSLX7	532958	●
70,00	88,00	6,50	AS	smooth	*	72 NBR 902	BABSL	355823	○
70,00	90,00	5,50	A	metal	un-pressurised	80 NBR 177458	MSC 01	508548	●
70,00	90,00	5,50	A	metal	un-pressurised	80 FKM 177459	MSC 01	508592	●

● Available from stock ○ On request: Tool is available, delivery at short notice * → Diagram 2, page 18

d ₁	d ₂	b	DIN 3761	Outer surface	Pressure	Material	Type	Article No.	
70,00	90,00	7,00	AS	smooth	*	72 NBR 902	BABSL	3059	●
70,00	90,00	7,00	AS	smooth	*	75 FKM 595	BABSL	49008932	●
70,00	90,00	10,00	B	metal	0,02	72 NBR 902	B1FUD	334647	●
70,00	90,00	10,00	C	metal	0,02	72 NBR 902	B2FUD	334651	●
70,00	90,00	10,00	A	grooved	0,02	72 NBR 902	BAFUDX7	355432	●
70,00	90,00	10,00	A	grooved	0,05	75 FKM 585	BAUMX7	376664	●
70,00	90,00	10,00	AS	grooved	0,05	72 NBR 902	BAUSLX7	376900	○
70,00	90,00	10,00	C	metal	up to 1 MPa	PTFE F56101	B2PT	406771	●
70,00	90,00	10,00	B	metal	0,05	72 NBR 902	B1USL	426882	○
70,00	90,00	10,00	AS	grooved	0,05	75 FKM 585	BAUMSLX7	520226	●
70,00	90,00	10,00	AS	smooth	0,05	72 NBR 902	BAUSLX2	524198	●
70,00	90,00	10,00	A	smooth	0,05	72 NBR 902	BAU	9095	●
70,00	90,00	12,00	B	metal	0,02	72 NBR 902	B1FUD	334649	●
70,00	90,00	12,00	C	metal	0,02	72 NBR 902	B2FUD	334650	●
70,00	90,00	12,00	A	grooved	0,05	75 FKM 585	BAUMX7	388870	●
70,00	90,00	12,00	AS	smooth	0,05	75 FKM 585	BAUMSL	455637	●
70,00	90,00	12,00	AS	smooth	0,05	72 NBR 902	BAUSLX2	455638	●
70,00	90,00	12,00	A	smooth	0,05	72 NBR 902	BAUX2	520465	●
70,00	90,00	12,00	-	smooth	0,05	72 NBR 902	MSS 1	525376	●
70,00	90,00	13,00	CS	metal	0,05	72 NBR 902	B2USL	23457	●
70,00	90,00	13,00	C	metal	0,02	72 NBR 902	B2FUD	334358	●
70,00	90,00	13,00	B	metal	0,02	72 NBR 902	B1FUD	334648	●
70,00	90,00	13,00	BS	metal	0,05	72 NBR 902	B1SL	7534	●
70,00	90,00	13,00	A	smooth	0,05	72 NBR 902	BAU	9101	●
70,00	90,00	13,00	A	smooth	0,05	72 NBR 902	BAUSL	9102	●
70,00	92,00	7,50	A	metal	un-pressurised	80 FKM 177459	MSC 02	508616	●
70,00	92,00	7,50	A	metal	un-pressurised	80 NBR 177458	MSC 02	508640	●
70,00	95,00	8,00	B	metal	0,02	72 NBR 902	B1FUD	310667	●
70,00	95,00	10,00	C	metal	0,05	72 NBR 902	B2U	22786	●
70,00	95,00	10,00	A	smooth	0,05	72 NBR 902	BAU	523551	○
70,00	95,00	10,00	A	smooth	0,05	72 NBR 902	BAU	9106	●
70,00	95,00	12,00	AS	grooved	0,05	75 FKM 585	BAUMSLX7	405449	●
70,00	95,00	13,00	B	metal	0,05	72 NBR 902	B1	19909	●
70,00	95,00	13,00	C	metal	0,05	72 NBR 902	B2U	23185	●
70,00	95,00	13,00	BS	metal	0,05	72 NBR 902	B1SL	49010593	●
70,00	95,00	13,00	A	smooth	0,05	72 NBR 902	BAU	9108	●
70,00	98,00	13,00	C	metal	0,05	72 NBR 902	B2	23186	●
70,00	100,00	6,00	A	smooth	0,05	72 NBR 902	BA	9110	●
70,00	100,00	10,00	A	grooved	0,02	72 NBR 902	BAFUDX7	334325	●
70,00	100,00	10,00	B	metal	0,02	72 NBR 902	B1FUD	334699	●
70,00	100,00	10,00	C	metal	0,02	72 NBR 902	B2FUD	334702	●
70,00	100,00	10,00	A	smooth	0,05	72 NBR 902	BAU	340877	○
70,00	100,00	10,00	A	grooved	0,05	75 FKM 585	BAUMX7	398035	●
70,00	100,00	10,00	C	metal	up to 1 MPa	PTFE F56101	B2PT	406829	●
70,00	100,00	10,00	AS	smooth	0,05	72 NBR 902	BAUSLX2	522359	●
70,00	100,00	10,00	A	smooth	0,05	72 NBR 902	BAU	523842	○
70,00	100,00	10,00	AS	grooved	0,05	75 FKM 585	BAUMSLX7	524105	●
70,00	100,00	12,00	C	metal	0,02	72 NBR 902	B2FUD	334338	●
70,00	100,00	12,00	A	smooth	0,02	72 NBR 902	BAFUD	523564	●
70,00	100,00	13,00	B	metal	0,02	72 NBR 902	B1FUD	334698	●

● Available from stock ○ On request: Tool is available, delivery at short notice * → Diagram 2, page 18

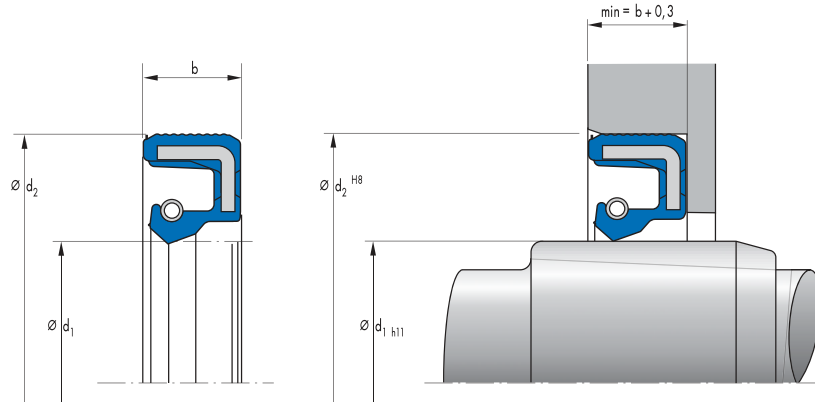


d ₁	d ₂	b	DIN 3761	Outer surface	Pressure	Material	Type	Article No.	
70,00	100,00	13,00	C	metal	0,02	72 NBR 902	B2FUD	334700	●
70,00	100,00	13,00	A	smooth	0,05	72 NBR 902	BAU	9122	●
70,00	105,00	13,00	C	metal	0,05	72 NBR 902	B2	23189	●
70,00	110,00	8,00	A	smooth	0,05	75 FKM 585	BAUM	49012067	●
70,00	110,00	8,00	A	smooth	0,05	72 NBR 902	BAUX2	49033018	●
70,00	110,00	8,00	A	smooth	0,05	72 NBR 902	BAU	9128	●
70,00	110,00	10,00	AS	grooved	0,05	72 NBR 902	BAUSLX7	377886	●
70,00	110,00	12,00	AS	smooth	0,05	75 FKM 585	BAUMSL	455639	●
70,00	110,00	12,00	AS	smooth	0,05	72 NBR 902	BAUSLX2	455641	●
70,00	110,00	12,00	-	smooth	0,05	72 NBR 902	MSS 1	525375	●
70,00	110,00	13,00	B	metal	0,05	72 NBR 902	B1U	19912	●
70,00	110,00	13,00	C	metal	0,05	72 NBR 902	B2	23190	●
70,00	110,00	13,00	AS	grooved	0,02	72 NBR 902	BAFUDSLX7	407536	●
70,00	110,00	13,00	A	smooth	0,05	72 NBR 902	BAU	9130	●
70,00	115,00	16,00	A	smooth	0,05	72 NBR 902	BA	306770	●
70,00	120,00	10,00	AS	grooved	0,02	72 NBR 902	BAFUDSLX7	452953	●
70,00	125,00	12,00	AS	smooth	0,05	72 NBR 902	BAUSLX2	49011092	●
70,00	125,00	12,00	A	smooth	0,05	72 NBR 902	BAUX2	49011093	●
70,00	130,00	10,00	AS	smooth	0,05	72 NBR 902	BAUSLX2	479457	●
70,00	130,00	10,00	A	smooth	0,05	72 NBR 902	BAUX2	479458	●
70,00	130,00	10,00	AS	smooth	0,05	75 FKM 585	BAUMSL	49011951	●
70,00	130,00	10,00	A	smooth	0,05	75 FKM 585	BAUM	49012128	●
70,00	130,00	10,00	-	smooth	0,05	72 NBR 902	MSS 7	522285	●
70,00	130,00	12,00	AS	smooth	0,05	72 NBR 902	BAUSLX2	477908	●
72,00	84,00	7,00	B	metal	0,05	72 NBR 902	B1	23821	●
72,00	84,00	7,00	A	grooved	0,05	75 FKM 585	BAUMX7	410718	●
72,00	84,00	18,00	B	metal	0,02	72 NBR 902	B1FUD	408294	●
72,00	90,00	10,00	C	metal	0,05	72 NBR 902	B2U	22788	●
72,00	90,00	10,00	A	smooth	0,05	75 FKM 595	BAUM	418071	○
72,00	90,00	10,00	A	smooth	0,05	72 NBR 902	BAUX2	49025290	●
72,00	90,00	10,00	A	smooth	0,05	72 NBR 902	BA	9137	●
72,00	90,00	13,00	C	metal	0,05	72 NBR 902	B2U	22789	●
72,00	92,00	5,50	A	metal	un-pressurised	80 NBR 177458	MSC 01	508549	●
72,00	92,00	5,50	A	metal	un-pressurised	80 FKM 177459	MSC 01	508593	●
72,00	95,00	10,00	B	metal	0,05	72 NBR 902	B1U	10761	●
72,00	95,00	10,00	C	metal	0,05	72 NBR 902	B2U	23192	●

● Available from stock ○ On request: Tool is available, delivery at short notice * → Diagram 2, page 18

d ₁	d ₂	b	DIN 3761	Outer surface	Pressure	Material	Type	Article No.	
72,00	95,00	10,00	A	grooved	0,02	72 NBR 902	BAFUDX7	366669	●
72,00	95,00	10,00	A	grooved	0,05	75 FKM 585	BAUMX7	411780	●
72,00	95,00	10,00	AS	grooved	0,02	72 NBR 902	BAFUDSLX7	437162	●
72,00	95,00	12,00	C	metal	0,05	72 NBR 902	B2U	2634	●
72,00	95,00	12,00	AS	smooth	0,05	72 NBR 902	BAUSLX2	470366	●
72,00	95,00	12,00	AS	smooth	0,05	75 FKM 585	BAUMSL	470367	●
72,00	95,00	12,00	-	smooth	0,05	72 NBR 902	MSS 1	525386	●
72,00	95,00	12,00	-	smooth	0,05	75 FKM 585	MSS 1	525423	●
72,00	95,00	13,00	B	metal	0,05	72 NBR 902	B1U	19914	●
72,00	95,00	13,00	C	metal	0,05	75 FKM 595	B2	322085	○
72,00	95,00	13,00	BS	metal	0,05	72 NBR 902	B1SL	3513	●
72,00	95,00	13,00	C	metal	0,05	72 NBR 902	B2U	4774	●
72,00	100,00	10,00	B	metal	0,05	72 NBR 902	B1	19915	●
72,00	100,00	10,00	C	metal	0,05	72 NBR 902	B2U	23194	●
72,00	100,00	10,00	A	grooved	0,05	75 FKM 585	BAUMX7	401034	●
72,00	100,00	10,00	C	metal	up to 1 MPa	PTFE F56101	B2PT	406831	●
72,00	100,00	10,00	AS	grooved	0,05	75 FKM 585	BAUMSLX7	407289	●
72,00	100,00	10,00	A	smooth	0,05	72 NBR 902	BAU	523565	○
72,00	100,00	10,00	A	smooth	0,05	72 NBR 902	BAU	9142	●
72,00	100,00	12,00	C	metal	0,05	72 NBR 902	B2	16196	●
72,00	100,00	12,00	A	grooved	0,02	72 NBR 902	BAFUDX7	520460	●
72,00	100,00	13,00	C	metal	0,05	72 NBR 902	B2	23195	●
72,00	105,00	13,00	B	metal	0,05	72 NBR 902	B1USL	153821	●
72,00	105,00	13,00	C	metal	0,05	72 NBR 902	B2	23196	●
72,00	110,00	13,00	C	metal	0,05	72 NBR 902	B2	23197	●
72,00	130,00	12,00	AS	smooth	0,05	72 NBR 902	BAUSLX2	523524	●
72,00	140,00	12,00	AS	smooth	0,05	72 NBR 902	BAUSLX2	470349	●
72,00	140,00	12,00	AS	smooth	0,05	75 FKM 585	BAUMSL	470351	●
72,00	140,00	12,00	-	smooth	0,05	72 NBR 902	MSS 1	525403	●
72,00	140,00	12,00	-	smooth	0,05	75 FKM 585	MSS 1	525432	●
73,00	95,00	10,00	C	metal	0,05	72 NBR 902	B2U	22790	●
73,00	100,00	13,00	C	metal	0,05	72 NBR 902	B2	23198	●
73,03	95,25	12,70	BS	metal	0,02	72 NBR 902	B1FUDSL	402902	○
74,00	90,00	10,00	C	metal	0,05	72 NBR 902	B2U	22792	●
74,00	90,00	10,00	A	smooth	0,05	72 NBR 902	BA	9149	●
74,00	95,00	10,00	C	metal	0,05	72 NBR 902	B2U	22793	●
74,00	95,00	10,00	A	grooved	0,02	72 NBR 902	BAFUDX7	334852	●
74,00	100,00	13,00	C	metal	0,05	72 NBR 902	B2	23200	●
75,00	90,00	8,00	A	smooth	0,05	72 NBR 902	BAUX2	49024277	●
75,00	90,00	8,00	A	grooved	0,05	75 FKM 585	BAUMX7	520865	●
75,00	90,00	8,00	A	smooth	0,05	72 NBR 902	BAU	9157	●
75,00	90,00	10,00	AS	smooth	*	72 NBR 902	BABSL	12001716	●
75,00	90,00	10,00	A	grooved	0,05	75 FKM 585	BAUMX7	435005	●
75,00	90,00	10,00	AS	grooved	0,05	75 FKM 585	BAUMSLX7	468762	●
75,00	90,00	12,00	C	metal	0,05	72 NBR 902	B2U	22795	●
75,00	90,00	15,00	A	smooth	0,05	72 NBR 902	BADUO	9162	○
75,00	95,00	5,50	A	metal	un-pressurised	80 NBR 177458	MSC 01	508550	●
75,00	95,00	5,50	A	metal	un-pressurised	80 FKM 177459	MSC 01	508594	●
75,00	95,00	7,00	AS	smooth	*	72 NBR 902	BABSL	122853	●
75,00	95,00	7,00	AS	smooth	*	75 FKM 595	BABSL	354069	●

● Available from stock ○ On request: Tool is available, delivery at short notice * → Diagram 2, page 18

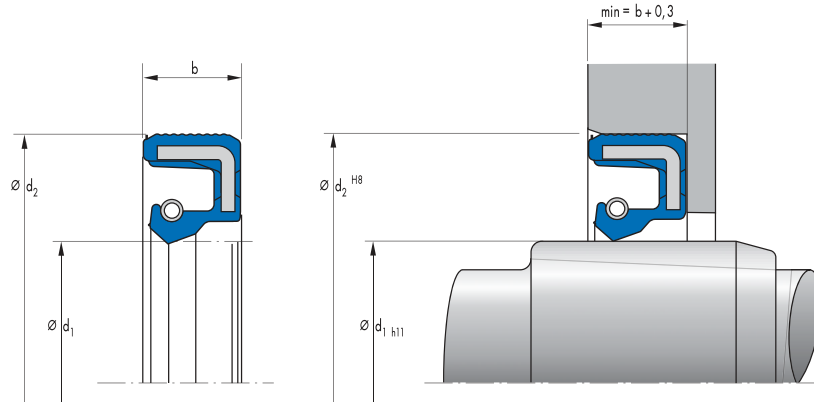


d_1	d_2	b	DIN 3761	Outer surface	Pressure	Material	Type	Article No.	
75,00	95,00	9,00	AS	smooth	0,02	72 NBR 902	BAFUDSL	417887	●
75,00	95,00	9,00	AS	smooth	0,05	72 NBR 902	BASL	61875	●
75,00	95,00	10,00	AS	smooth	0,02	72 NBR 902	BAFUDSL	12011201	●
75,00	95,00	10,00	BS	metal	0,02	72 NBR 902	B1FUDSL	334382	●
75,00	95,00	10,00	C	metal	0,02	72 NBR 902	B2FUD	334596	●
75,00	95,00	10,00	B	metal	0,02	72 NBR 902	B1FUD	334598	●
75,00	95,00	10,00	AS	smooth	*	75 FKM 595	BABSL	372629	●
75,00	95,00	10,00	A	grooved	0,05	75 FKM 585	BAUMX7	402396	●
75,00	95,00	10,00	C	metal	up to 1 MPa	PTFE F56101	B2PT	406832	●
75,00	95,00	10,00	A	smooth	0,05	72 NBR 902	BAUX2	49017472	●
75,00	95,00	10,00	AS	grooved	0,05	75 FKM 585	BAUMSLX7	521009	●
75,00	95,00	12,00	B	metal	0,05	72 NBR 902	B1USL	150288	●
75,00	95,00	12,00	C	metal	0,02	72 NBR 902	B2FUD	334595	●
75,00	95,00	12,00	A	grooved	0,05	75 FKM 585	BAUMX7	389609	●
75,00	95,00	12,00	AS	smooth	0,05	72 NBR 902	BAUSLX2	524699	●
75,00	95,00	12,00	A	smooth	0,05	72 NBR 902	BAU	9172	●
75,00	95,00	13,00	C	metal	0,05	72 NBR 902	B2	22839	●
75,00	95,00	13,00	B	metal	0,02	72 NBR 902	B1FUD	334597	●
75,00	97,00	7,50	A	metal	un-pressurised	80 FKM 177459	MSC 02	508617	●
75,00	97,00	7,50	A	metal	un-pressurised	80 NBR 177458	MSC 02	508641	●
75,00	100,00	10,00	C	metal	0,02	72 NBR 902	B2FUD	334331	●
75,00	100,00	10,00	B	metal	0,02	72 NBR 902	B1FUD	334539	●
75,00	100,00	10,00	A	grooved	0,05	75 FKM 585	BAUMX7	398031	●
75,00	100,00	10,00	AS	grooved	0,05	75 FKM 585	BAUMSLX7	407279	●
75,00	100,00	10,00	AS	smooth	0,05	72 NBR 902	BAUSLX2	524653	●
75,00	100,00	10,00	A	smooth	0,05	72 NBR 902	BAUX2	525285	●
75,00	100,00	10,00	C	metal	up to 1 MPa	PTFE F56101	B2PT	526214	●
75,00	100,00	10,00	C	metal	up to 1 MPa	PTFE F56101	B2PT	529452	○
75,00	100,00	11,00	AS	smooth	*	72 NBR 902	BABSL	477396	●
75,00	100,00	11,00	AS	smooth	*	75 FKM 595	BABSL	523594	●
75,00	100,00	12,00	AS	grooved	0,02	72 NBR 902	BAFUDSLX7	334855	●
75,00	100,00	12,00	B	metal	0,02	72 NBR 902	B1FUD	334934	●
75,00	100,00	12,00	C	metal	0,02	72 NBR 902	B2FUD	334973	●
75,00	100,00	12,00	A	grooved	0,05	75 FKM 585	BAUMX7	389296	●
75,00	100,00	13,00	C	metal	0,05	72 NBR 902	B2	23529	●
75,00	100,00	13,00	BS	metal	0,02	72 NBR 902	B1FUDSL	334405	●

● Available from stock ○ On request: Tool is available, delivery at short notice * → Diagram 2, page 18

d ₁	d ₂	b	DIN 3761	Outer surface	Pressure	Material	Type	Article No.	
75,00	100,00	13,00	CS	metal	0,02	72 NBR 902	B2FUDSL	334974	●
75,00	100,00	13,00	A	smooth	0,05	72 NBR 902	BAU	9189	●
75,00	105,00	12,00	A	smooth	0,02	72 NBR 902	BAFUD	12011023	●
75,00	105,00	13,00	B	metal	0,05	72 NBR 902	B1	19924	●
75,00	105,00	13,00	C	metal	0,05	72 NBR 902	B2U	23207	●
75,00	110,00	12,00	A	smooth	0,02	72 NBR 902	BAFUD	12011024	●
75,00	110,00	13,00	AS	smooth	0,02	72 NBR 902	BAFUDSL	12000542	●
75,00	110,00	13,00	B	metal	0,05	72 NBR 902	B1U	19925	●
75,00	110,00	13,00	C	metal	0,05	72 NBR 902	B2U	23208	●
75,00	115,00	12,00	AS	smooth	0,05	72 NBR 902	BAUSLX2	475360	●
75,00	115,00	12,00	AS	grooved	0,05	75 FKM 585	BAUMSLX7	477664	●
75,00	115,00	13,00	C	metal	0,02	72 NBR 902	B2FUD	335192	●
75,00	120,00	12,00	A	grooved	0,05	72 NBR 902	BAUX27	450738	●
75,00	120,00	12,00	AS	grooved	0,05	72 NBR 902	BAUSLX27	451194	●
75,00	120,00	12,00	AS	smooth	0,05	75 FKM 585	BAUMSL	49012063	●
75,00	120,00	12,00	A	smooth	0,05	75 FKM 585	BAUM	49013714	●
75,00	125,00	12,00	AS	smooth	0,05	75 FKM 595	BAUMSL	474897	○
75,00	130,00	10,00	AS	smooth	0,05	72 NBR 902	BAUSLX2	477279	●
75,00	130,00	12,00	AS	smooth	0,05	75 FKM 585	BAUMSL	455642	●
75,00	130,00	12,00	AS	smooth	0,05	72 NBR 902	BAUSLX2	455643	●
75,00	130,00	12,00	-	smooth	0,05	72 NBR 902	MSS 1	525377	●
76,00	95,00	10,00	B	metal	0,05	72 NBR 902	B1	19927	●
76,00	100,00	10,00	A	smooth	0,05	72 NBR 902	BAU	9198	●
76,00	100,00	13,00	C	metal	0,05	72 NBR 902	B2	23210	●
76,00	110,00	13,00	C	metal	0,05	72 NBR 902	B2	23212	●
76,20	101,60	11,90	C	metal	0,05	72 NBR 902	B2U	23213	●
77,00	95,00	10,00	C	metal	0,05	72 NBR 902	B2U	22797	●
77,00	100,00	10,00	C	metal	0,05	72 NBR 902	B2U	22798	●
78,00	95,00	13,00	C	metal	0,05	72 NBR 902	B2	22799	●
78,00	98,00	5,50	A	metal	un-pressurised	80 NBR 177458	MSC 01	508551	●
78,00	98,00	5,50	A	metal	un-pressurised	80 FKM 177459	MSC 01	508595	●
78,00	100,00	10,00	C	metal	0,05	72 NBR 902	B2	22800	●
78,00	100,00	10,00	B	metal	0,05	72 NBR 902	B1	31819	●
78,00	100,00	10,00	A	grooved	0,05	75 FKM 585	BAUMX7	401025	●
78,00	100,00	10,00	A	smooth	0,05	72 NBR 902	BAU	9204	●
78,00	100,00	12,00	C	metal	0,05	72 NBR 902	B2	23214	●
78,00	100,00	13,00	BS	metal	0,05	72 NBR 902	B1SL	20173	●
78,00	105,00	13,00	C	metal	0,05	72 NBR 902	B2	23215	●
78,00	110,00	13,00	C	metal	0,05	72 NBR 902	B2	23216	●
80,00	90,00	5,00	A	smooth	un-pressurised	72 NBR 902	BAOF	389266	●
80,00	95,00	5,00	A	smooth	un-pressurised	72 NBR 902	BAOF	349011	●
80,00	95,00	10,00	C	metal	0,05	72 NBR 902	B2U	106305	●
80,00	100,00	5,50	A	metal	un-pressurised	80 NBR 177458	MSC 01	508552	●
80,00	100,00	5,50	A	metal	un-pressurised	80 FKM 177459	MSC 01	508597	●
80,00	100,00	7,00	AS	smooth	*	75 FKM 595	BABSL	390171	●
80,00	100,00	7,00	AS	smooth	*	72 NBR 902	BABSL	49001653	●
80,00	100,00	7,50	B	metal	0,05	72 NBR 902	B1USL	37041	○
80,00	100,00	10,00	C	metal	0,02	72 NBR 902	B2FUD	334355	●
80,00	100,00	10,00	B	metal	0,02	72 NBR 902	B1FUD	334406	●
80,00	100,00	10,00	A	grooved	0,05	75 FKM 585	BAUMX7	398029	●

● Available from stock ○ On request: Tool is available, delivery at short notice * → Diagram 2, page 18

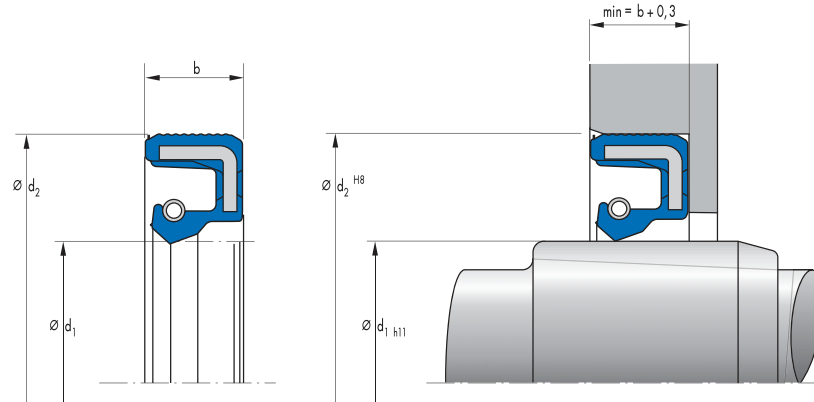


d_1	d_2	b	DIN 3761	Outer surface	Pressure	Material	Type	Article No.	
80,00	100,00	10,00	C	metal	up to 1 MPa	PTFE F56101	B2PT	406772	●
80,00	100,00	10,00	BS	metal	0,02	72 NBR 902	B1FUDSL	429457	●
80,00	100,00	10,00	AS	grooved	0,05	75 FKM 585	BAUMSLX7	468978	●
80,00	100,00	10,00	AS	smooth	0,05	72 NBR 902	BAUSLX2	524139	●
80,00	100,00	10,00	A	smooth	0,02	72 NBR 902	BAFUD	532626	●
80,00	100,00	10,00	A	smooth	0,05	72 NBR 902	BAU	9216	○
80,00	100,00	12,00	B	metal	0,05	72 NBR 902	B1USL	331073	●
80,00	100,00	12,00	C	metal	0,02	72 NBR 902	B2FUD	334362	●
80,00	100,00	12,00	CS	metal	0,05	72 NBR 902	B2USL	34903	●
80,00	100,00	12,00	A	grooved	0,05	75 FKM 585	BAUMX7	388823	●
80,00	100,00	12,00	AS	smooth	0,05	72 NBR 902	BAUSLX2	470439	●
80,00	100,00	12,00	AS	smooth	0,05	75 FKM 585	BAUMSL	470440	●
80,00	100,00	12,00	-	smooth	0,05	72 NBR 902	MSS 1	525395	●
80,00	100,00	12,00	-	smooth	0,05	75 FKM 585	MSS 1	525427	●
80,00	100,00	13,00	AS	smooth	0,02	72 NBR 902	BAFUDSL	12011204	●
80,00	100,00	13,00	C	metal	0,02	72 NBR 902	B2FUD	334359	●
80,00	100,00	13,00	B	metal	0,02	72 NBR 902	B1FUD	335147	●
80,00	100,00	13,00	BS	metal	0,02	72 NBR 902	B1FUDSL	335189	●
80,00	100,00	13,00	CS	metal	0,02	72 NBR 902	B2FUDSL	335999	●
80,00	100,00	13,00	A	smooth	0,05	72 NBR 902	BAU	9221	●
80,00	102,00	7,50	A	metal	un-pressurised	80 FKM 177459	MSC 02	508618	●
80,00	102,00	7,50	A	metal	un-pressurised	80 NBR 177458	MSC 02	508642	●
80,00	105,00	7,50	AS	smooth	*	75 FKM 595	BABSL	418858	●
80,00	105,00	13,00	B	metal	0,05	72 NBR 902	B1USL	20176	●
80,00	105,00	13,00	A	grooved	0,02	72 NBR 902	BAFUDX7	334326	●
80,00	105,00	13,00	B	metal	0,02	72 NBR 902	B1FUD	355629	●
80,00	105,00	13,00	C	metal	0,02	72 NBR 902	B2FUD	356384	●
80,00	105,00	13,00	A	smooth	0,05	72 NBR 902	BAU	523566	○
80,00	105,00	15,00	B	metal	0,05	72 NBR 902	B1U	331070	●
80,00	110,00	8,00	A	smooth	0,05	72 NBR 902	BAUX2	524780	●
80,00	110,00	10,00	B	metal	0,05	72 NBR 902	B1	19932	●
80,00	110,00	10,00	A	grooved	0,05	75 FKM 585	BAUMX7	397823	●
80,00	110,00	10,00	C	metal	up to 1 MPa	PTFE F56101	B2PT	406833	●
80,00	110,00	10,00	AS	grooved	0,05	75 FKM 585	BAUMSLX7	427699	●
80,00	110,00	10,00	A	smooth	0,05	72 NBR 902	BAUX2	49033031	●
80,00	110,00	10,00	AS	smooth	*	72 NBR 902	BABSL	49043290	●

● Available from stock ○ On request: Tool is available, delivery at short notice * → Diagram 2, page 18

d ₁	d ₂	b	DIN 3761	Outer surface	Pressure	Material	Type	Article No.	
80,00	110,00	10,00	AS	smooth	0,05	72 NBR 902	BAUSLX2	524503	●
80,00	110,00	12,00	C	metal	0,05	72 NBR 902	B2U	11434	●
80,00	110,00	12,00	A	smooth	0,02	72 NBR 902	BAFUD	12011030	●
80,00	110,00	13,00	A	smooth	0,02	72 NBR 902	BAFUD	12011031	●
80,00	110,00	13,00	B	metal	0,05	72 NBR 902	B1U	19933	●
80,00	110,00	13,00	C	metal	0,05	72 NBR 902	B2U	23223	●
80,00	110,00	13,00	BS	metal	0,05	72 NBR 902	B1SL	409545	●
80,00	115,00	10,00	A	smooth	0,05	72 NBR 902	BA	9234	●
80,00	115,00	13,00	B	metal	0,05	72 NBR 902	B1U	19935	●
80,00	120,00	13,00	A	smooth	0,02	72 NBR 902	BAFUD	12011033	●
80,00	120,00	13,00	C	metal	0,05	72 NBR 902	B2	23224	●
80,00	125,00	10,00	–	smooth	0,05	72 NBR 902	MSS 7	522349	●
80,00	125,00	12,00	AS	smooth	0,05	72 NBR 902	BAUSLX2	470441	●
80,00	125,00	12,00	AS	smooth	0,05	75 FKM 585	BAUMSL	470442	●
80,00	125,00	12,00	AS	smooth	*	72 NBR 902	BABSL	49043291	●
80,00	125,00	12,00	–	smooth	0,05	72 NBR 902	MSS 1	525402	●
80,00	125,00	13,00	C	metal	0,05	72 NBR 902	B2U	23225	●
80,00	125,00	13,00	A	grooved	0,05	72 NBR 902	BAUX27	453163	●
80,00	140,00	13,00	AS	grooved	0,05	72 NBR 902	BAUSLX27	453165	●
80,00	140,00	13,00	A	grooved	0,05	72 NBR 902	BAUX27	453166	●
80,00	140,00	13,00	AS	grooved	0,05	75 FKM 585	BAUMSLX7	477666	●
80,00	140,00	13,00	A	grooved	0,05	75 FKM 585	BAUMX7	49012109	●
80,00	140,00	13,00	A	smooth	0,05	72 NBR 902	BAUX2	49037441	●
80,00	140,00	13,00	AS	smooth	0,05	72 NBR 902	BAUSLX2	49037452	●
80,00	150,00	12,00	–	smooth	0,05	72 NBR 902	MSS 7	522286	●
80,00	150,00	15,00	AS	smooth	0,05	72 NBR 902	BAUSLX2	520449	●
80,00	150,00	15,00	AS	smooth	0,05	75 FKM 585	BAUMSL	520739	●
80,00	170,00	13,00	AS	smooth	0,05	72 NBR 902	BAUSLX2	434902	●
80,00	170,00	13,00	AS	smooth	0,05	75 FKM 585	BAUMSL	439857	●
81,00	100,00	10,00	C	metal	0,05	72 NBR 902	B2	22803	●
81,00	100,00	13,00	C	metal	0,05	72 NBR 902	B2	22804	●
82,00	100,00	10,00	A	grooved	0,05	75 FKM 585	BAUMX7	460327	●
82,00	105,00	10,00	AS	smooth	0,05	72 NBR 902	BAUSLX2	529148	●
82,00	105,00	10,00	AS	smooth	0,05	72 NBR 902	BASL	9242	●
82,00	105,00	12,00	A	smooth	0,05	72 NBR 902	BAU	9244	●
82,00	105,00	13,00	C	metal	0,05	72 NBR 902	B2U	23227	●
82,00	110,00	13,00	C	metal	0,05	72 NBR 902	B2	23228	●
82,00	120,00	13,00	AS	smooth	0,05	72 NBR 902	BAUSLX2	470376	●
82,00	120,00	13,00	AS	smooth	0,05	75 FKM 585	BAUMSL	470378	●
82,00	120,00	13,00	–	smooth	0,05	72 NBR 902	MSS 1	525401	●
82,00	160,00	13,00	AS	smooth	0,05	72 NBR 902	BAUSLX2	470381	●
82,00	160,00	13,00	AS	smooth	0,05	75 FKM 585	BAUMSL	470382	●
82,00	160,00	13,00	–	smooth	0,05	72 NBR 902	MSS 1	525407	●
82,00	160,00	13,00	–	smooth	0,05	75 FKM 585	MSS 1	525437	○
82,55	114,30	13,00	C	metal	0,05	72 NBR 902	B2U	20656	○
84,00	105,00	13,00	C	metal	0,05	72 NBR 902	B2U	23231	●
84,00	110,00	12,00	C	metal	0,05	72 NBR 902	B2	23232	●
84,14	114,30	11,90	C	metal	0,02	72 NBR 902	B2FUD	338367	○
85,00	100,00	7,00	B	metal	0,05	72 NBR 902	B1USL	61841	●
85,00	100,00	8,00	AS	grooved	0,05	75 FKM 585	BAUMSLX7	520227	●

● Available from stock ○ On request: Tool is available, delivery at short notice * → Diagram 2, page 18

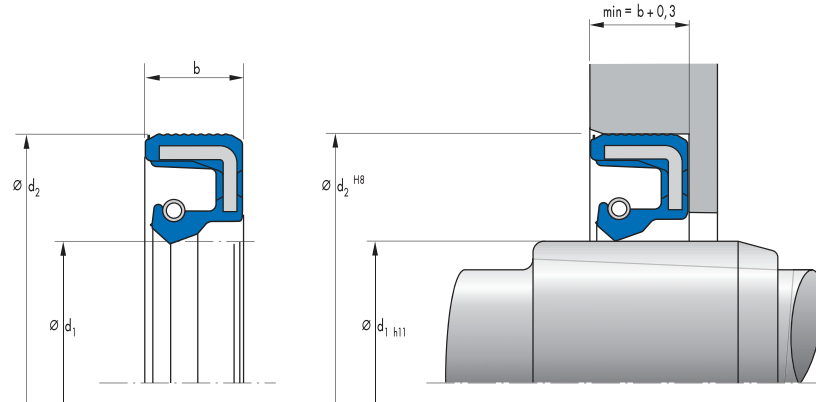


d_1	d_2	b	DIN 3761	Outer surface	Pressure	Material	Type	Article No.	
85,00	100,00	9,00	A	smooth	0,05	72 NBR 902	BA	24569	●
85,00	100,00	9,00	B	metal	0,02	72 NBR 902	B1FUD	334407	●
85,00	100,00	9,00	AS	grooved	0,05	72 NBR 902	BAUSLX27	533028	●
85,00	100,00	12,00	BS	metal	0,02	72 NBR 902	B1FUDSL	532637	●
85,00	100,00	13,00	C	metal	0,05	72 NBR 902	B2U	22805	●
85,00	105,00	5,50	A	metal	un-pressurised	80 NBR 177458	MSC 01	508553	●
85,00	105,00	5,50	A	metal	un-pressurised	80 FKM 177459	MSC 01	508598	●
85,00	105,00	7,00	AS	grooved	0,05	75 FKM 585	BAUMSLX7	522850	●
85,00	105,00	7,50	AS	smooth	*	72 NBR 902	BABSL	63228	●
85,00	105,00	10,00	B	metal	0,02	72 NBR 902	B1FUD	532636	●
85,00	105,00	12,00	AS	grooved	0,05	75 FKM 585	BAUMSLX7	404329	●
85,00	105,00	12,00	A	grooved	0,05	75 FKM 585	BAUMX7	526104	●
85,00	105,00	13,00	B	metal	0,05	72 NBR 902	B1U	19938	●
85,00	105,00	13,00	C	metal	0,05	72 NBR 902	B2U	23234	●
85,00	105,00	13,00	A	grooved	0,02	72 NBR 902	BAFUDX7	335194	●
85,00	105,00	13,00	A	smooth	0,05	72 NBR 902	BAU	354468	○
85,00	105,00	13,00	A	smooth	0,05	75 FKM 595	BAUM	4061	○
85,00	105,00	13,00	CS	metal	0,05	72 NBR 902	B2SL	9687	●
85,00	107,00	7,50	A	metal	un-pressurised	80 FKM 177459	MSC 02	508619	●
85,00	107,00	7,50	A	metal	un-pressurised	80 NBR 177458	MSC 02	508643	●
85,00	110,00	8,00	AS	smooth	*	72 NBR 902	BABSL	523616	●
85,00	110,00	8,00	AS	smooth	*	75 FKM 595	BABSL	529504	●
85,00	110,00	10,00	C	metal	up to 1 MPa	PTFE F56101	B2PT	406834	●
85,00	110,00	10,00	A	grooved	0,05	75 FKM 585	BAUMX7	476119	●
85,00	110,00	10,00	C	metal	up to 1 MPa	PTFE F56101	B2PT	529453	○
85,00	110,00	12,00	B	metal	0,02	72 NBR 902	B1FUD	334935	●
85,00	110,00	12,00	A	grooved	0,05	75 FKM 585	BAUMX7	388841	●
85,00	110,00	12,00	AS	smooth	0,05	75 FKM 585	BAUMSL	455644	●
85,00	110,00	12,00	AS	smooth	0,05	72 NBR 902	BAUSLX2	455645	●
85,00	110,00	12,00	A	smooth	0,05	72 NBR 902	BAUX2	526074	●
85,00	110,00	12,00	-	smooth	0,05	72 NBR 902	MSS 1	525387	●
85,00	110,00	13,00	B	metal	0,05	72 NBR 902	B1	19942	●
85,00	110,00	13,00	CS	metal	0,02	72 NBR 902	B2FUDSL	334365	●
85,00	110,00	13,00	C	metal	0,02	72 NBR 902	B2FUD	334975	●
85,00	110,00	13,00	A	grooved	0,02	72 NBR 902	BAFUDX7	335159	●
85,00	110,00	13,00	BS	metal	0,02	72 NBR 902	B1FUDSL	381637	●

● Available from stock ○ On request: Tool is available, delivery at short notice * → Diagram 2, page 18

d ₁	d ₂	b	DIN 3761	Outer surface	Pressure	Material	Type	Article No.	
85,00	110,00	15,00	C	metal	0,02	72 NBR 902	B2FUD	334976	●
85,00	115,00	13,00	A	smooth	0,02	72 NBR 902	BAFUD	12011037	●
85,00	115,00	13,00	C	metal	0,05	72 NBR 902	B2U	23236	●
85,00	120,00	8,00	AS	smooth	*	72 NBR 902	BABSL	143355	●
85,00	120,00	8,00	AS	smooth	*	75 FKM 595	BABSL	418860	●
85,00	120,00	12,00	A	smooth	0,05	72 NBR 902	BA	14070	●
85,00	120,00	12,00	B	metal	0,05	72 NBR 902	B1	2755	●
85,00	120,00	12,00	A	grooved	0,05	75 FKM 585	BAUMX7	388807	●
85,00	120,00	12,00	B	metal	0,05	72 NBR 902	B1	432607	○
85,00	120,00	13,00	C	metal	0,05	72 NBR 902	B2U	23237	●
85,00	120,00	15,00	C	metal	0,05	72 NBR 902	B2	2515	●
85,00	125,00	10,00	AS	smooth	0,05	72 NBR 902	BAUSLX2	522358	●
85,00	125,00	13,00	C	metal	0,05	72 NBR 902	B2U	23505	●
85,00	130,00	10,00	AS	grooved	0,05	75 FKM 585	BAUMSLX7	477667	●
85,00	130,00	10,00	AS	grooved	0,05	72 NBR 902	BAUSLX27	49002843	●
85,00	130,00	10,00	A	smooth	0,05	72 NBR 902	BAUX2	49005998	●
85,00	130,00	10,00	A	grooved	0,05	75 FKM 585	BAUMX7	49012126	●
85,00	130,00	12,00	A	smooth	0,05	72 NBR 902	BAU	394923	●
85,00	130,00	13,00	C	metal	0,05	72 NBR 902	B2U	23238	●
85,00	140,00	12,00	A	grooved	0,02	72 NBR 902	BAUX7	369435	●
85,00	140,00	12,00	AS	grooved	0,05	72 NBR 902	BAUSLX7	369448	●
85,00	140,00	12,00	AS	smooth	0,05	75 FKM 585	BAUMSL	455647	●
85,00	140,00	12,00	AS	smooth	0,05	72 NBR 902	BAUSLX2	455648	●
85,00	140,00	12,00	-	smooth	0,05	72 NBR 902	MSS 1	525385	●
85,00	140,00	12,00	-	smooth	0,05	75 FKM 585	MSS 1	525390	●
85,00	150,00	12,00	AS	smooth	0,05	72 NBR 902	BAUSLX2	477583	●
85,00	150,00	12,00	A	smooth	0,05	72 NBR 902	BAUX2	49006054	●
85,00	150,00	12,00	AS	grooved	0,05	75 FKM 585	BAUMSLX7	520105	●
86,00	105,00	13,00	A	smooth	0,05	72 NBR 902	BA	9273	●
86,00	110,00	13,00	C	metal	0,05	72 NBR 902	B2	23240	○
86,00	110,00	13,00	A	smooth	0,05	72 NBR 902	BA	9275	●
87,00	110,00	13,00	C	metal	0,05	72 NBR 902	B2U	23242	●
88,00	110,00	10,00	A	smooth	0,05	72 NBR 902	BA	9279	●
88,00	110,00	13,00	A	smooth	0,05	75 FKM 595	BAUM	142385	○
88,00	110,00	13,00	B	metal	0,05	72 NBR 902	B1USL	20178	●
88,00	110,00	13,00	C	metal	0,05	72 NBR 902	B2U	23243	●
88,00	110,00	13,00	B	metal	0,05	72 NBR 902	B1U	436119	○
88,00	120,00	13,00	C	metal	0,05	72 NBR 902	B2U	23244	●
88,00	160,00	13,00	AS	smooth	0,05	72 NBR 902	BAUSLX2	475363	●
88,00	160,00	13,00	AS	grooved	0,05	75 FKM 585	BAUMSLX7	477611	●
89,00	110,00	13,00	C	metal	0,05	72 NBR 902	B2	23246	●
90,00	95,00	3,00	B	metal	un-pressurised	72 NBR 902	B1FOF	363577	○
90,00	110,00	5,50	A	metal	un-pressurised	80 NBR 177458	MSC 01	508554	●
90,00	110,00	5,50	A	metal	un-pressurised	80 FKM 177459	MSC 01	508599	●
90,00	110,00	7,50	AS	smooth	*	72 NBR 902	BABSL	307006	●
90,00	110,00	7,50	AS	smooth	*	75 FKM 595	BABSL	360218	●
90,00	110,00	7,50	AS	smooth	*	72 NBR 902	BABSL	49035762	●
90,00	110,00	8,00	C	metal	0,05	72 NBR 902	B2	22809	●
90,00	110,00	8,00	A	grooved	0,02	72 NBR 902	BAFUDX7	338992	●
90,00	110,00	8,00	B	metal	0,02	72 NBR 902	B1FUD	355633	●

● Available from stock ○ On request: Tool is available, delivery at short notice * → Diagram 2, page 18

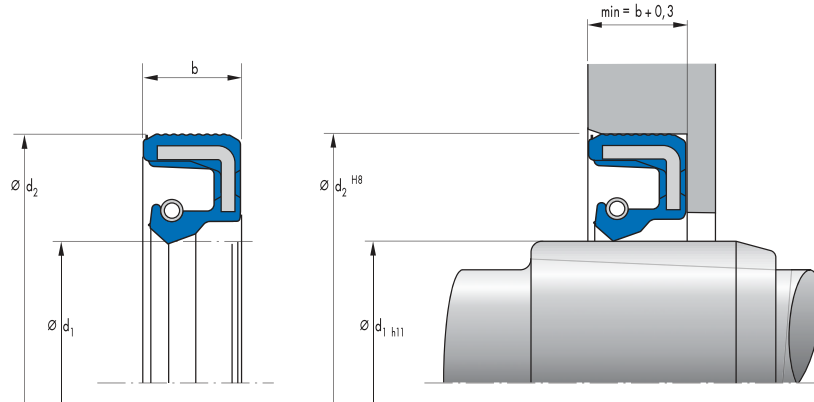


d ₁	d ₂	b	DIN 3761	Outer surface	Pressure	Material	Type	Article No.	
90,00	110,00	10,00	A	smooth	0,05	72 NBR 902	BAU	327928	●
90,00	110,00	10,00	C	metal	up to 1 MPa	PTFE F56101	B2PT	406773	●
90,00	110,00	10,00	A	smooth	0,05	72 NBR 902	BAUSL	452252	●
90,00	110,00	12,00	AS	smooth	*	72 NBR 902	BABSL	12011534	●
90,00	110,00	12,00	B	metal	0,02	72 NBR 902	B1FUD	334373	●
90,00	110,00	12,00	A	grooved	0,02	72 NBR 902	BAFUDX7	334762	●
90,00	110,00	12,00	A	smooth	0,05	72 NBR 902	BAUSL	371060	●
90,00	110,00	12,00	A	grooved	0,05	75 FKM 585	BAUMX7	388824	●
90,00	110,00	12,00	AS	grooved	0,05	75 FKM 585	BAUMSLX7	521010	●
90,00	110,00	13,00	CS	metal	0,05	72 NBR 902	B2USL	23467	●
90,00	110,00	13,00	BS	metal	0,05	72 NBR 902	B1SL	31470	●
90,00	110,00	13,00	C	metal	0,02	72 NBR 902	B2FUD	334348	●
90,00	110,00	13,00	B	metal	0,02	72 NBR 902	B1FUD	334671	●
90,00	110,00	13,00	AS	smooth	0,05	72 NBR 902	BAUSLX2	49011512	●
90,00	110,00	13,00	A	smooth	0,05	72 NBR 902	BAU	9287	●
90,00	110,00	15,00	C	metal	0,05	72 NBR 902	B2U	11436	●
90,00	112,00	7,50	A	metal	un-pressurised	80 FKM 177459	MSC 02	508620	●
90,00	112,00	7,50	A	metal	un-pressurised	80 NBR 177458	MSC 02	508644	●
90,00	112,71	13,00	C	metal	0,02	72 NBR 902	B2FUD	334349	●
90,00	115,00	9,00	C	metal	0,05	72 NBR 902	B2	22810	●
90,00	115,00	10,00	AS	smooth	*	75 FKM 595	BABSL	418863	●
90,00	115,00	12,00	A	smooth	0,05	72 NBR 902	BAU	313552	●
90,00	115,00	12,00	AS	grooved	0,05	75 FKM 585	BAUMSLX7	428612	●
90,00	115,00	13,00	BS	metal	0,02	72 NBR 902	B1FUDSL	335123	●
90,00	115,00	13,00	B	metal	0,02	72 NBR 902	B1FUD	335190	●
90,00	120,00	10,00	AS	smooth	*	72 NBR 902	BABSL	455768	●
90,00	120,00	12,00	B	metal	0,02	72 NBR 902	B1FUD	334694	●
90,00	120,00	12,00	A	grooved	0,02	72 NBR 902	BAFUDX7	335160	●
90,00	120,00	12,00	A	grooved	0,05	75 FKM 585	BAUMX7	389300	●
90,00	120,00	12,00	AS	grooved	0,05	75 FKM 585	BAUMSLX7	420404	●
90,00	120,00	13,00	B	metal	0,02	72 NBR 902	B1FUD	334408	●
90,00	120,00	13,00	C	metal	0,02	72 NBR 902	B2FUD	334695	●
90,00	120,00	13,00	CS	metal	0,02	72 NBR 902	B2FUDSL	335191	●
90,00	120,00	13,00	AS	grooved	0,02	72 NBR 902	BAFUDSLX7	339432	●
90,00	120,00	13,00	A	smooth	0,05	72 NBR 902	BAU	9294	●
90,00	120,00	15,00	C	metal	0,02	72 NBR 902	B2FUD	334339	●

● Available from stock ○ On request: Tool is available, delivery at short notice * → Diagram 2, page 18

d ₁	d ₂	b	DIN 3761	Outer surface	Pressure	Material	Type	Article No.	
90,00	125,00	12,00	AS	smooth	*	72 NBR 902	BABSL	12001720	○
90,00	125,00	13,00	C	metal	0,05	72 NBR 902	B2	23250	●
90,00	130,00	12,00	AS	grooved	0,05	75 FKM 585	BAUMSLX7	420402	●
90,00	130,00	13,00	B	metal	0,05	72 NBR 902	B1	19951	●
90,00	130,00	13,00	C	metal	0,05	72 NBR 902	B2	23251	●
90,00	130,00	13,00	B	metal	0,05	72 NBR 902	B1USL	89770	●
90,00	130,00	13,00	A	smooth	0,05	72 NBR 902	BA	9301	●
90,00	140,00	13,00	C	metal	0,05	72 NBR 902	B2	23252	●
90,00	140,00	13,00	A	smooth	0,05	72 NBR 902	BA	28763	●
90,00	140,00	13,00	A	smooth	0,05	72 NBR 902	BAUX2	49037535	●
90,00	140,00	13,00	AS	smooth	0,05	72 NBR 902	BAUSLX2	522420	●
92,00	120,00	12,00	A	smooth	0,05	72 NBR 902	BA	9303	●
92,00	120,00	13,00	C	metal	0,05	72 NBR 902	B2	23253	●
93,00	110,00	13,00	C	metal	0,05	72 NBR 902	B2U	22811	●
94,00	120,00	13,00	C	metal	0,05	72 NBR 902	B2	23258	●
95,00	110,00	7,00	B	metal	0,05	72 NBR 902	B1USL	37097	○
95,00	110,00	9,00	B	metal	0,05	72 NBR 902	B1	19557	●
95,00	115,00	5,50	A	metal	un-pressurised	80 NBR 177458	MSC 01	508555	●
95,00	115,00	5,50	A	metal	un-pressurised	80 FKM 177459	MSC 01	508600	●
95,00	115,00	13,00	B	metal	0,05	72 NBR 902	B1USL	20181	●
95,00	115,00	13,00	B	metal	0,02	72 NBR 902	B1FUD	334936	●
95,00	115,00	13,00	C	metal	0,02	72 NBR 902	B2FUD	334978	●
95,00	115,00	13,00	AS	smooth	0,05	72 NBR 902	BASL	346567	○
95,00	115,00	13,00	A	grooved	0,05	75 FKM 585	BAUMX7	389615	●
95,00	115,00	13,00	AS	smooth	0,05	72 NBR 902	BAUSLX2	524194	●
95,00	117,00	7,50	A	metal	un-pressurised	80 FKM 177459	MSC 02	508621	●
95,00	117,00	7,50	A	metal	un-pressurised	80 NBR 177458	MSC 02	508645	●
95,00	120,00	12,00	AS	smooth	0,02	72 NBR 902	BAFUDSL	12011207	●
95,00	120,00	12,00	AS	smooth	*	72 NBR 902	BABSL	2315	●
95,00	120,00	12,00	B	metal	0,02	72 NBR 902	B1FUD	334653	●
95,00	120,00	12,00	A	grooved	0,02	72 NBR 902	BAFUDX7	355407	●
95,00	120,00	12,00	AS	smooth	*	75 FKM 595	BABSL	378129	●
95,00	120,00	12,00	A	grooved	0,05	75 FKM 585	BAUMX7	388845	●
95,00	120,00	12,00	C	metal	up to 1 MPa	PTFE F56101	B2PT	406835	●
95,00	120,00	12,00	AS	smooth	*	72 NBR 902	BABSL	477399	○
95,00	120,00	12,00	A	smooth	0,05	72 NBR 902	BAUX2	49035730	●
95,00	120,00	12,00	AS	grooved	0,05	75 FKM 585	BAUMSLX7	521011	●
95,00	120,00	12,00	A	smooth	0,05	72 NBR 902	BAUX2	529408	○
95,00	120,00	13,00	BS	metal	0,05	72 NBR 902	B1SL	20182	●
95,00	120,00	13,00	CS	metal	0,05	72 NBR 902	B2USL	330834	●
95,00	120,00	13,00	C	metal	0,02	72 NBR 902	B2FUD	334360	●
95,00	120,00	13,00	B	metal	0,02	72 NBR 902	B1FUD	334652	●
95,00	120,00	13,00	C	metal	0,05	75 FKM 595	B2U	49004121	○
95,00	120,00	13,00	A	smooth	0,05	72 NBR 902	BA	9310	●
95,00	120,00	15,00	C	metal	0,02	72 NBR 902	B2FUD	334654	●
95,00	125,00	12,00	B	metal	0,05	72 NBR 902	B1	19635	●
95,00	125,00	12,00	AS	grooved	0,02	72 NBR 902	BAFUDSLX7	335174	●
95,00	125,00	12,00	A	smooth	0,05	72 NBR 902	BA	3450	●
95,00	125,00	12,00	A	grooved	0,05	75 FKM 585	BAUMX7	403102	●
95,00	125,00	12,00	AS	grooved	0,05	75 FKM 585	BAUMSLX7	436020	●

● Available from stock ○ On request: Tool is available, delivery at short notice * → Diagram 2, page 18

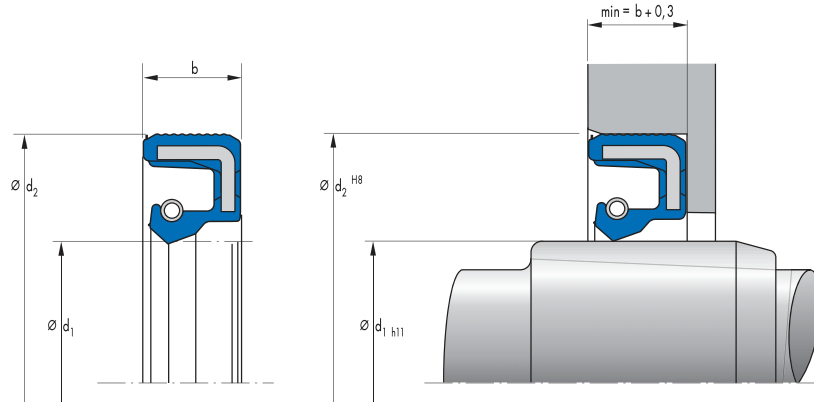


d_1	d_2	b	DIN 3761	Outer surface	Pressure	Material	Type	Article No.	
95,00	125,00	13,00	B	metal	0,05	72 NBR 902	B1U	19954	●
95,00	125,00	13,00	C	metal	0,05	72 NBR 902	B2U	23262	●
95,00	125,00	13,00	AS	smooth	0,05	75 FKM 585	BAUMSL	455649	●
95,00	125,00	13,00	AS	smooth	0,05	72 NBR 902	BAUSLX2	455650	●
95,00	125,00	13,00	A	smooth	0,05	72 NBR 902	BAUX2	49037536	●
95,00	125,00	13,00	-	smooth	0,05	72 NBR 902	MSS 1	525397	●
95,00	125,00	15,00	C	metal	0,05	72 NBR 902	B2	2521	●
95,00	130,00	13,00	C	metal	0,05	72 NBR 902	B2U	23263	●
95,00	145,00	12,00	-	smooth	0,05	72 NBR 902	MSS 7	522348	●
95,00	145,00	13,00	AS	grooved	0,05	72 NBR 902	BAUSLX27	451051	●
95,00	145,00	13,00	A	grooved	0,05	72 NBR 902	BAUX27	451052	●
95,00	145,00	13,00	AS	smooth	0,05	72 NBR 902	BAUSLX2	470443	●
95,00	145,00	13,00	AS	smooth	0,05	75 FKM 585	BAUMSL	470444	●
95,00	145,00	13,00	A	smooth	0,05	75 FKM 585	BAUM	49012060	●
95,00	145,00	13,00	-	smooth	0,05	72 NBR 902	MSS 1	525405	●
95,00	145,00	13,00	-	smooth	0,05	75 FKM 585	MSS 1	525434	○
95,00	170,00	13,00	AS	smooth	0,05	75 FKM 585	BAUMSL	455652	●
95,00	170,00	13,00	AS	smooth	0,05	72 NBR 902	BAUSLX2	455653	○
95,00	170,00	13,00	-	smooth	0,05	72 NBR 902	MSS 1	525396	○
96,00	125,00	13,00	C	metal	0,05	72 NBR 902	B2U	23265	●
97,00	120,00	13,00	C	metal	0,05	72 NBR 902	B2	23266	●
98,00	120,00	13,00	C	metal	0,05	72 NBR 902	B2	23269	●
98,00	125,00	12,00	AS	smooth	0,05	72 NBR 902	BASL	18962	●
98,00	125,00	12,00	A	smooth	0,05	72 NBR 902	BA	9319	●
98,00	125,00	13,00	A	smooth	0,05	75 FKM 595	BAUM	142387	○
98,00	125,00	13,00	C	metal	0,05	72 NBR 902	B2	23270	●
98,00	128,00	10,00	C	metal	0,05	72 NBR 902	B2	23271	●
98,00	130,00	13,00	C	metal	0,05	72 NBR 902	B2	23272	●
100,00	115,00	9,00	B	metal	0,02	72 NBR 902	B1FUD	358896	●
100,00	115,00	9,00	AS	grooved	0,05	75 FKM 595	BAUMSLX7	412884	○
100,00	120,00	5,50	A	metal	un-pressurised	80 NBR 177458	MSC 01	508556	●
100,00	120,00	5,50	A	metal	un-pressurised	80 FKM 177459	MSC 01	508601	●
100,00	120,00	7,50	AS	smooth	*	75 FKM 595	BABSL	315389	●
100,00	120,00	7,50	AS	smooth	*	72 NBR 902	BABSL	63432	●
100,00	120,00	8,00	B	metal	0,02	72 NBR 902	B1FUD	355472	●
100,00	120,00	8,00	B	metal	0,05	72 NBR 902	B1U	49038233	●

● Available from stock ○ On request: Tool is available, delivery at short notice * → Diagram 2, page 18

d ₁	d ₂	b	DIN 3761	Outer surface	Pressure	Material	Type	Article No.	
100,00	120,00	10,00	B	metal	0,02	72 NBR 902	B1FUD	334659	●
100,00	120,00	10,00	A	smooth	0,05	72 NBR 902	BAUX2	9323	●
100,00	120,00	12,00	C	metal	0,05	75 FKM 595	B2U	2205	○
100,00	120,00	12,00	C	metal	0,05	72 NBR 902	B2U	307035	●
100,00	120,00	12,00	AS	grooved	0,02	72 NBR 902	BAFUDSLX7	334231	●
100,00	120,00	12,00	B	metal	0,02	72 NBR 902	B1FUD	334409	●
100,00	120,00	12,00	A	grooved	0,02	72 NBR 902	BAFUDX7	335175	●
100,00	120,00	12,00	AS	grooved	0,05	75 FKM 595	BAUMSLX7	350248	○
100,00	120,00	12,00	A	grooved	0,05	75 FKM 585	BAUMX7	389309	●
100,00	120,00	12,00	C	metal	up to 1 MPa	PTFE F56101	B2PT	406774	●
100,00	120,00	12,00	AS	grooved	0,05	75 FKM 585	BAUMSLX7	411235	●
100,00	120,00	12,00	A	smooth	0,05	72 NBR 902	BAU	9327	○
100,00	120,00	13,00	C	metal	0,02	72 NBR 902	B2FUD	334350	●
100,00	120,00	15,00	C	metal	0,05	72 NBR 902	B2U	9547	●
100,00	122,00	7,50	A	metal	un-pressurised	80 FKM 177459	MSC 02	508622	●
100,00	122,00	7,50	A	metal	un-pressurised	80 NBR 177458	MSC 02	508646	●
100,00	125,00	12,00	B	metal	0,02	72 NBR 902	B1FUD	335981	●
100,00	125,00	12,00	A	grooved	0,02	72 NBR 902	BAFUDX7	355481	●
100,00	125,00	12,00	A	grooved	0,05	75 FKM 585	BAUMX7	389690	●
100,00	125,00	12,00	AS	grooved	0,05	75 FKM 585	BAUMSLX7	521012	●
100,00	125,00	13,00	B	metal	0,05	72 NBR 902	B1USL	117707	●
100,00	125,00	13,00	CS	metal	0,05	72 NBR 902	B2SL	150733	●
100,00	125,00	13,00	AS	grooved	0,02	72 NBR 902	BAFUDSLX7	334856	●
100,00	125,00	13,00	C	metal	0,02	72 NBR 902	B2FUD	335193	●
100,00	125,00	13,00	B	metal	0,02	72 NBR 902	B1FUD	335982	●
100,00	125,00	13,00	AS	smooth	*	72 NBR 902	BABSL	420803	●
100,00	125,00	13,00	A	smooth	0,05	72 NBR 902	BA	9338	●
100,00	125,00	15,00	C	metal	0,02	72 NBR 902	B2FUD	335984	●
100,00	130,00	10,00	A	smooth	0,05	72 NBR 902	BA	9341	●
100,00	130,00	12,00	B	metal	0,02	72 NBR 902	B1FUD	335165	●
100,00	130,00	12,00	A	grooved	0,02	72 NBR 902	BAFUDX7	369826	●
100,00	130,00	12,00	A	grooved	0,05	75 FKM 585	BAUMX7	389698	●
100,00	130,00	12,00	C	metal	up to 1 MPa	PTFE F56101	B2PT	406837	●
100,00	130,00	12,00	AS	grooved	0,05	75 FKM 585	BAUMSLX7	49000979	●
100,00	130,00	12,00	AS	smooth	0,05	72 NBR 902	BAUSLX2	526078	●
100,00	130,00	12,00	A	smooth	0,05	72 NBR 902	BA	8079	●
100,00	130,00	13,00	BS	metal	0,05	72 NBR 902	B1SL	20183	●
100,00	130,00	13,00	CS	metal	0,05	72 NBR 902	B2USL	23470	●
100,00	130,00	13,00	AS	smooth	0,05	75 FKM 585	BAUMSL	310982	○
100,00	130,00	13,00	C	metal	0,02	72 NBR 902	B2FUD	335169	●
100,00	130,00	13,00	B	metal	0,02	72 NBR 902	B1FUD	335983	●
100,00	130,00	13,00	AS	smooth	0,05	72 NBR 902	BAUSLX2	478549	●
100,00	130,00	15,00	C	metal	0,02	72 NBR 902	B2FUD	335985	●
100,00	135,00	13,00	A	smooth	0,05	72 NBR 902	BAU	340026	●
100,00	140,00	13,00	C	metal	0,05	72 NBR 902	B2U	23278	●
100,00	145,00	12,00	AS	smooth	0,05	72 NBR 902	BAUSLX2	522357	●
100,00	150,00	12,00	A	smooth	0,05	72 NBR 902	BA	9345	●
100,00	160,00	14,00	AS	grooved	0,05	72 NBR 902	BAUSLX27	451670	●
100,00	160,00	14,00	A	grooved	0,05	72 NBR 902	BAUX27	453167	●
100,00	160,00	14,00	AS	smooth	0,05	75 FKM 585	BAUMSL	49012061	●

● Available from stock ○ On request: Tool is available, delivery at short notice * → Diagram 2, page 18

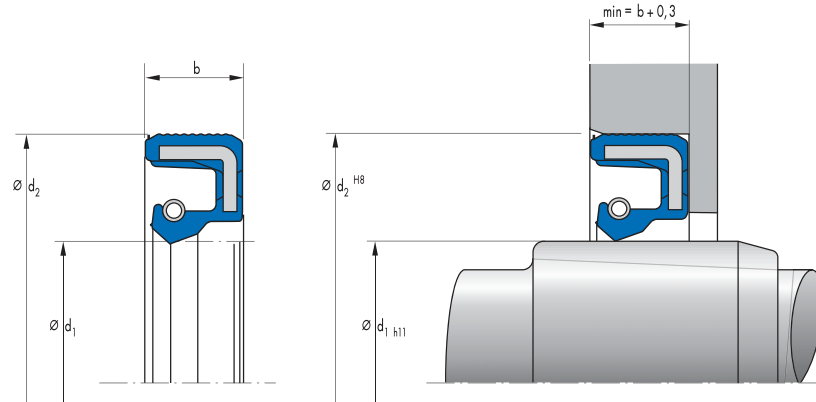


d ₁	d ₂	b	DIN 3761	Outer surface	Pressure	Material	Type	Article No.	
100,00	160,00	14,00	A	smooth	0,05	75 FKM 585	BAUM	49012062	●
100,00	180,00	12,00	A	grooved	0,05	72 NBR 902	BAUX27	450739	●
100,00	180,00	12,00	AS	grooved	0,05	72 NBR 902	BAUSLX27	450740	●
100,00	180,00	12,00	A	smooth	0,05	75 FKM 585	BAUM	49012124	●
100,00	180,00	12,00	AS	smooth	0,05	72 NBR 902	BAUSLX2	49037437	●
100,00	180,00	12,00	A	smooth	0,05	72 NBR 902	BAUX2	49037438	●
100,00	190,00	12,00	-	smooth	0,05	72 NBR 902	MSS 7	522305	●
100,00	190,00	15,00	AS	smooth	0,05	72 NBR 902	BAUSLX2	520451	●
100,00	190,00	15,00	AS	grooved	0,05	75 FKM 585	BAUSLX7	520740	●
102,00	130,00	13,00	C	metal	0,05	72 NBR 902	B2U	23281	●
103,00	125,00	13,00	C	metal	0,05	72 NBR 902	B2U	23283	●
104,00	125,00	10,00	A	smooth	0,05	72 NBR 902	BA	9355	●
104,00	130,00	13,00	C	metal	0,05	72 NBR 902	B2	23285	●
105,00	120,00	8,00	B	metal	0,05	72 NBR 902	B1USL	302505	●
105,00	120,00	8,00	B	metal	0,05	72 NBR 902	B1USL	37138	○
105,00	120,00	8,00	B	metal	0,05	75 FKM 585	B1USL	405290	○
105,00	125,00	5,50	A	metal	un-pressurised	80 NBR 177458	MSC 01	508557	●
105,00	125,00	5,50	A	metal	un-pressurised	80 FKM 177459	MSC 01	508602	●
105,00	125,00	12,00	B	metal	0,05	72 NBR 902	B1U	19964	●
105,00	125,00	13,00	C	metal	0,05	72 NBR 902	B2U	22815	●
105,00	130,00	7,50	AS	smooth	*	72 NBR 902	BABSL	27134	●
105,00	130,00	7,50	AS	smooth	*	75 FKM 595	BABSL	377412	●
105,00	130,00	7,50	AS	smooth	*	75 FKM 595	BABSL	471702	○
105,00	130,00	7,50	AS	smooth	*	72 NBR 902	BABSL	49031450	●
105,00	130,00	8,00	AS	smooth	0,05	72 NBR 902	BAUSLX2	524146	●
105,00	130,00	12,00	B	metal	0,05	72 NBR 902	B1U	19965	●
105,00	130,00	12,00	AS	grooved	0,02	72 NBR 902	BAFUDSLX7	335177	●
105,00	130,00	12,00	A	grooved	0,05	75 FKM 585	BAUMX7	389699	●
105,00	130,00	12,00	C	metal	up to 1 MPa	PTFE F56101	B2PT	406839	●
105,00	130,00	12,00	AS	grooved	0,05	75 FKM 585	BAUSLX7	411280	●
105,00	130,00	12,00	A	smooth	0,05	72 NBR 902	BAU	9361	●
105,00	130,00	13,00	BS	metal	0,05	72 NBR 902	B1SL	20184	●
105,00	130,00	13,00	C	metal	0,05	72 NBR 902	B2U	23286	●
105,00	130,00	13,00	B	metal	0,05	75 FKM 595	B1U	337463	○
105,00	130,00	15,00	C	metal	0,05	72 NBR 902	B2U	11439	●
105,00	135,00	13,00	C	metal	0,05	72 NBR 902	B2	365337	●

● Available from stock ○ On request: Tool is available, delivery at short notice * → Diagram 2, page 18

d ₁	d ₂	b	DIN 3761	Outer surface	Pressure	Material	Type	Article No.	
105,00	135,00	13,00	B	metal	0,05	75 FKM 585	B1	439794	○
105,00	140,00	12,00	B	metal	0,05	72 NBR 902	B1U	19624	●
105,00	140,00	12,00	A	smooth	0,05	72 NBR 902	BA	2771	●
105,00	140,00	12,00	A	grooved	0,05	75 FKM 585	BAUMX7	411268	●
105,00	140,00	12,00	AS	smooth	0,05	72 NBR 902	BAUSLX2	524505	●
105,00	140,00	13,00	B	metal	0,05	72 NBR 902	B1	19966	●
105,00	140,00	13,00	C	metal	0,05	72 NBR 902	B2U	23288	●
105,00	140,00	13,00	CS	metal	0,05	72 NBR 902	B2USL	38081	●
105,00	140,00	15,00	C	metal	0,05	72 NBR 902	B2	19633	●
105,00	145,00	15,00	B	metal	0,05	72 NBR 902	B1	19967	●
105,00	150,00	15,00	C	metal	0,05	72 NBR 902	B2	23289	●
105,00	160,00	12,00	AS	smooth	0,05	72 NBR 902	BAUSLX2	475362	●
105,00	160,00	12,00	AS	grooved	0,05	75 FKM 585	BAUMSLX7	477615	●
105,00	190,00	12,00	AS	smooth	0,05	72 NBR 902	BAUSLX2	522306	●
106,00	130,00	13,00	C	metal	0,05	72 NBR 902	B2	23290	●
107,00	130,00	13,00	C	metal	0,05	72 NBR 902	B2	23291	●
107,00	140,00	13,00	C	metal	0,05	72 NBR 902	B2U	23292	●
108,00	130,00	13,00	C	metal	0,05	72 NBR 902	B2	23293	●
108,00	140,00	13,00	C	metal	0,05	72 NBR 902	B2U	23294	●
108,00	140,00	15,00	AS	smooth	0,05	72 NBR 902	BAUSLX2	470435	●
108,00	140,00	15,00	AS	smooth	0,05	75 FKM 585	BAUMSL	470436	●
108,00	170,00	15,00	AS	smooth	0,05	72 NBR 902	BAUSLX2	470383	●
108,00	170,00	15,00	AS	smooth	0,05	75 FKM 585	BAUMSL	470384	●
108,00	170,00	15,00	-	smooth	0,05	72 NBR 902	MSS 1	525409	●
110,00	125,00	7,00	AS	smooth	*	75 FKM 595	BABSL	473522	●
110,00	128,00	9,00	B	metal	0,05	72 NBR 902	B1	13810	●
110,00	128,00	9,00	B	metal	0,05	72 NBR 902	B1USL	33356	●
110,00	128,00	9,00	C	metal	0,05	72 NBR 902	B2	7792	●
110,00	128,00	12,00	A	grooved	0,05	75 FKM 585	BAUMX7	436018	●
110,00	130,00	8,00	AS	grooved	0,05	72 NBR 902	BAUSLX7	49033417	○
110,00	130,00	8,00	AS	grooved	0,05	75 FKM 585	BAUMSLX7	520228	●
110,00	130,00	10,00	B	metal	0,02	72 NBR 902	B1FUD	358659	●
110,00	130,00	12,00	AS	smooth	*	72 NBR 902	BABSL	12011535	●
110,00	130,00	12,00	A	smooth	0,05	72 NBR 902	BAUSL	126037	●
110,00	130,00	12,00	C	metal	0,05	75 FKM 595	B2U	2218	○
110,00	130,00	12,00	B	metal	0,02	72 NBR 902	B1FUD	341238	●
110,00	130,00	12,00	B	metal	0,05	72 NBR 902	B1USL	344990	●
110,00	130,00	12,00	A	grooved	0,02	72 NBR 902	BAFUDX7	355424	●
110,00	130,00	12,00	A	grooved	0,05	75 FKM 585	BAUMX7	376665	●
110,00	130,00	12,00	C	metal	up to 1 MPa	PTFE F56101	B2PT	406775	●
110,00	130,00	12,00	AS	grooved	0,05	75 FKM 585	BAUMSLX7	407283	●
110,00	130,00	12,00	C	metal	0,05	72 NBR 902	B2U	418208	●
110,00	130,00	12,00	AS	smooth	*	75 FKM 595	BABSL	529507	●
110,00	130,00	13,00	C	metal	0,02	72 NBR 902	B2FUD	341230	●
110,00	130,00	13,00	B	metal	0,02	72 NBR 902	B1FUD	341237	●
110,00	130,00	13,00	BS	metal	0,02	72 NBR 902	B1FUDSL	355470	●
110,00	130,00	15,00	C	metal	0,02	72 NBR 902	B2FUD	341239	●
110,00	140,00	12,00	A	smooth	0,05	72 NBR 902	BAU	14103	●
110,00	140,00	12,00	B	metal	0,02	72 NBR 902	B1FUD	335163	●
110,00	140,00	12,00	A	grooved	0,05	75 FKM 585	BAUMX7	389454	●

● Available from stock ○ On request: Tool is available, delivery at short notice * → Diagram 2, page 18

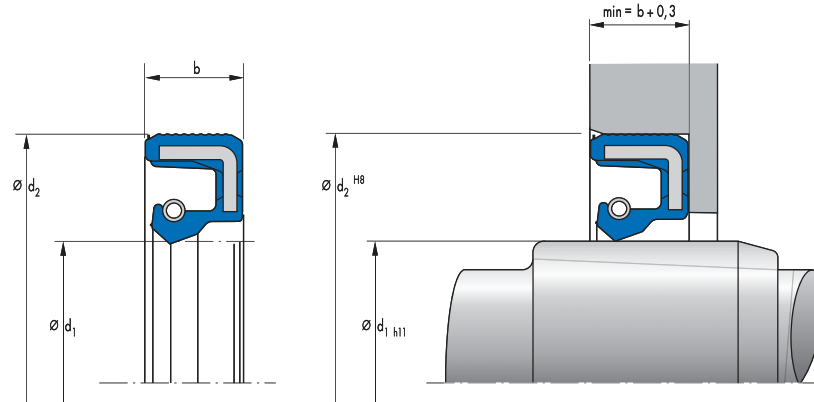


d_1	d_2	b	DIN 3761	Outer surface	Pressure	Material	Type	Article No.	
110,00	140,00	12,00	C	metal	up to 1 MPa	PTFE F56101	B2PT	406840	●
110,00	140,00	12,00	AS	smooth	*	75 FKM 595	BABSL	49005104	○
110,00	140,00	12,00	AS	grooved	0,05	75 FKM 585	BAUMSLX7	521013	●
110,00	140,00	12,00	AS	smooth	0,05	72 NBR 902	BASL	9373	●
110,00	140,00	13,00	CS	metal	0,02	72 NBR 902	B2FUDSL	335171	●
110,00	140,00	13,00	C	metal	0,02	72 NBR 902	B2FUD	345079	●
110,00	140,00	13,00	AS	smooth	*	72 NBR 902	BABSL	420804	●
110,00	140,00	13,00	A	smooth	0,05	72 NBR 902	BAUSL	9380	●
110,00	140,00	13,00	A	smooth	0,05	72 NBR 902	BA	9381	●
110,00	140,00	15,00	C	metal	0,02	72 NBR 902	B2FUD	335988	●
110,00	145,00	15,00	B	metal	0,05	72 NBR 902	B1U	19971	●
110,00	150,00	8,00	AS	smooth	*	72 NBR 902	BABSL	929	●
110,00	150,00	12,00	A	grooved	0,02	72 NBR 902	BAFUDX7	474182	●
110,00	150,00	13,00	C	metal	0,02	72 NBR 902	B2FUD	364342	●
110,00	150,00	15,00	C	metal	0,02	72 NBR 902	B2FUD	366328	●
110,00	150,00	15,00	B	metal	0,02	72 NBR 902	B1FUD	533588	●
110,00	150,00	18,00	A	smooth	0,05	72 NBR 902	BADUO	9389	○
110,00	170,00	12,00	-	smooth	0,05	72 NBR 902	MSS 7	522347	●
110,00	170,00	15,00	AS	smooth	0,05	72 NBR 902	BAUSLX2	520450	●
110,00	170,00	15,00	AS	smooth	0,05	75 FKM 585	BAUMSL	520741	●
110,00	200,00	13,00	AS	grooved	0,05	72 NBR 902	BAUSLX27	451053	●
110,00	200,00	13,00	A	grooved	0,05	72 NBR 902	BAUX27	451054	●
110,00	200,00	13,00	AS	smooth	0,05	75 FKM 585	BAUMSL	49012065	●
110,00	215,00	12,00	-	smooth	0,05	72 NBR 902	MSS 7	522308	●
110,00	215,00	15,00	AS	smooth	0,05	72 NBR 902	BAUSLX2	520453	●
110,00	215,00	15,00	AS	smooth	0,05	75 FKM 585	BAUMSL	520742	●
112,00	130,00	12,00	B	metal	0,05	72 NBR 902	B1	19562	●
112,00	130,00	12,00	A	grooved	0,05	75 FKM 585	BAUMX7	520866	●
112,00	140,00	13,00	BS	metal	0,05	72 NBR 902	B1SL	20116	●
112,00	140,00	13,00	C	metal	0,05	72 NBR 902	B2	23299	●
112,00	140,00	13,00	A	smooth	0,05	72 NBR 902	BAU	9395	●
112,00	150,00	15,00	C	metal	0,05	72 NBR 902	B2	23301	●
113,00	140,00	13,00	C	metal	0,05	72 NBR 902	B2	23302	●
114,00	140,00	13,00	C	metal	0,05	72 NBR 902	B2U	23303	●
115,00	135,00	13,00	B	metal	0,05	72 NBR 902	B1	13859	●
115,00	140,00	11,00	CS	metal	0,05	72 NBR 902	B2USL	23557	●

● Available from stock ○ On request: Tool is available, delivery at short notice * → Diagram 2, page 18

d ₁	d ₂	b	DIN 3761	Outer surface	Pressure	Material	Type	Article No.	
115,00	140,00	12,00	AS	smooth	0,05	75 FKM 585	BAUMSL	142971	○
115,00	140,00	12,00	C	metal	0,05	75 FKM 595	B2U	2231	○
115,00	140,00	12,00	B	metal	0,05	72 NBR 902	B1	2776	●
115,00	140,00	12,00	AS	grooved	0,02	72 NBR 902	BAFUDSLX7	334501	●
115,00	140,00	12,00	A	smooth	0,05	72 NBR 902	BAUSL	335212	○
115,00	140,00	12,00	B	metal	0,02	72 NBR 902	B1FUD	335979	●
115,00	140,00	12,00	A	smooth	0,05	75 FKM 595	BAUM	351142	○
115,00	140,00	12,00	A	grooved	0,02	72 NBR 902	BAFUDX7	355480	●
115,00	140,00	12,00	A	grooved	0,05	75 FKM 585	BAUMX7	389700	●
115,00	140,00	12,00	AS	grooved	0,05	72 NBR 902	BAUSLX7	401314	○
115,00	140,00	12,00	C	metal	up to 1 MPa	PTFE F56101	B2PT	406841	●
115,00	140,00	12,00	AS	grooved	0,05	75 FKM 585	BAUMSLX7	522388	●
115,00	140,00	13,00	B	metal	0,05	72 NBR 902	B1USL	103181	●
115,00	140,00	13,00	C	metal	0,02	72 NBR 902	B2FUD	335167	●
115,00	140,00	13,00	B	metal	0,02	72 NBR 902	B1FUD	335980	●
115,00	140,00	15,00	C	metal	0,02	72 NBR 902	B2FUD	335995	●
115,00	140,00	15,00	BS	metal	0,02	72 NBR 902	B1FUDSL	364335	●
115,00	150,00	12,00	B	metal	0,05	72 NBR 902	B1U	11442	●
115,00	150,00	12,00	A	smooth	0,05	72 NBR 902	BA	2605	●
115,00	150,00	12,00	A	grooved	0,05	75 FKM 585	BAUMX7	407103	●
115,00	150,00	12,00	AS	grooved	0,05	75 FKM 585	BAUMSLX7	411270	●
115,00	150,00	13,00	C	metal	0,05	72 NBR 902	B2U	23309	●
115,00	150,00	13,00	B	metal	0,02	72 NBR 902	B1FUD	25526	●
115,00	150,00	15,00	C	metal	0,05	72 NBR 902	B2	23310	●
115,00	160,00	12,00	A	grooved	0,05	75 FKM 585	BAUMX7	49010597	●
115,00	160,00	15,00	C	metal	0,05	72 NBR 902	B2	23311	●
115,00	170,00	12,00	AS	smooth	0,05	72 NBR 902	BAUSLX2	522356	●
115,00	215,00	12,00	AS	smooth	0,05	72 NBR 902	BAUSLX2	522309	●
116,00	140,00	13,00	C	metal	0,05	72 NBR 902	B2	23530	○
118,00	140,00	13,00	C	metal	0,05	72 NBR 902	B2	23313	●
118,00	140,00	16,00	A	smooth	0,05	72 NBR 902	BADUO	9406	○
118,00	150,00	12,00	AS	smooth	0,05	72 NBR 902	BAUSLX2	457498	●
118,00	150,00	12,00	AS	smooth	0,05	75 FKM 585	BAUMSL	461900	●
118,00	150,00	12,00	A	smooth	0,05	72 NBR 902	BAUX2	462756	●
118,00	150,00	12,00	A	smooth	0,05	75 FKM 585	BAUM	462757	●
118,00	150,00	15,00	C	metal	0,05	72 NBR 902	B2	23314	●
118,00	160,00	15,00	C	metal	0,05	72 NBR 902	B2U	23315	●
120,00	140,00	7,50	AS	smooth	*	75 FKM 595	BABSL	360177	●
120,00	140,00	7,50	AS	smooth	*	72 NBR 902	BABSL	85746	●
120,00	140,00	10,00	AS	smooth	*	72 NBR 902	BABSL	82439	●
120,00	140,00	12,00	C	metal	up to 1 MPa	PTFE F56101	B2PT	406842	●
120,00	140,00	12,00	A	smooth	0,05	72 NBR 902	BAU	411088	●
120,00	140,00	12,00	A	smooth	0,05	72 NBR 902	BAUSL	49030924	●
120,00	140,00	13,00	C	metal	0,02	72 NBR 902	B2FUD	335172	●
120,00	140,00	13,00	B	metal	0,02	72 NBR 902	B1FUD	335978	●
120,00	140,00	13,00	BS	metal	0,02	72 NBR 902	B1FUDSL	347234	●
120,00	140,00	13,00	AS	grooved	0,05	75 FKM 585	BAUMSLX7	405832	●
120,00	140,00	13,00	A	smooth	0,05	72 NBR 902	BAUX2	49037537	●
120,00	140,00	13,00	AS	smooth	0,05	72 NBR 902	BAUSLX2	524147	●
120,00	140,00	13,00	A	grooved	0,05	75 FKM 585	BAUMX7	525673	●

● Available from stock ○ On request: Tool is available, delivery at short notice * → Diagram 2, page 18

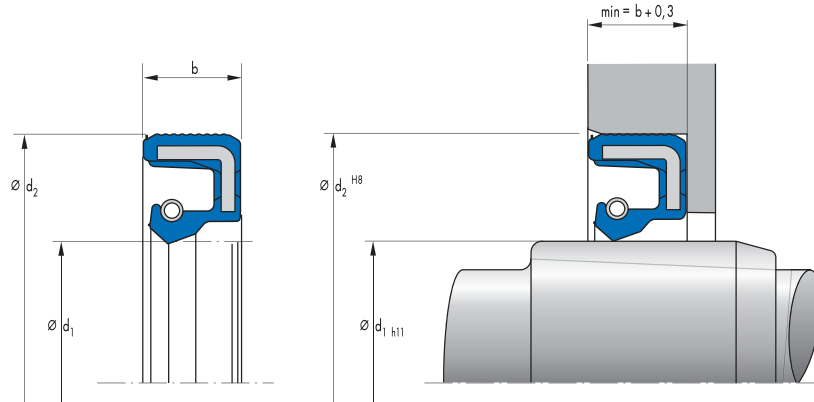


d_1	d_2	b	DIN 3761	Outer surface	Pressure	Material	Type	Article No.	
120,00	145,00	15,00	B	metal	0,05	72 NBR 902	B1U	122443	●
120,00	145,00	15,00	C	metal	0,05	72 NBR 902	B2U	66352	●
120,00	150,00	10,00	AS	smooth	*	75 FKM 595	BABSL	324576	●
120,00	150,00	10,00	AS	smooth	*	72 NBR 902	BABSL	427822	●
120,00	150,00	10,00	AS	smooth	*	75 FKM 595	BABSL	523775	○
120,00	150,00	12,00	AS	smooth	*	72 NBR 902	BABSL	12011536	●
120,00	150,00	12,00	B	metal	0,02	72 NBR 902	B1FUD	335166	●
120,00	150,00	12,00	A	grooved	0,05	75 FKM 585	BAUMX7	401018	●
120,00	150,00	12,00	B	metal	0,05	72 NBR 902	B1USL	436126	○
120,00	150,00	12,00	AS	grooved	0,05	75 FKM 585	BAUMSLX7	474123	●
120,00	150,00	12,00	A	smooth	0,05	72 NBR 902	BAUX2	49017408	●
120,00	150,00	12,00	AS	smooth	0,05	72 NBR 902	BAUSLX2	526963	●
120,00	150,00	12,00	A	smooth	0,05	72 NBR 902	BAU	9413	○
120,00	150,00	13,00	A	smooth	0,05	72 NBR 902	BA	31371	●
120,00	150,00	13,00	C	metal	0,02	72 NBR 902	B2FUD	335986	●
120,00	150,00	13,00	AS	smooth	0,05	75 FKM 595	BAUMSL	384118	○
120,00	150,00	13,00	AS	smooth	0,05	72 NBR 902	BASL	418990	●
120,00	150,00	15,00	CS	metal	0,05	72 NBR 902	B2SL	12059	●
120,00	150,00	15,00	CS	metal	0,05	72 NBR 902	B2USL	145092	●
120,00	150,00	15,00	BS	metal	0,05	72 NBR 902	B1SL	20189	●
120,00	150,00	15,00	B	metal	0,02	72 NBR 902	B1FUD	335972	●
120,00	150,00	15,00	C	metal	0,02	72 NBR 902	B2FUD	335987	●
120,00	150,00	15,00	A	grooved	0,05	75 FKM 585	BAUMX7	389455	●
120,00	150,00	15,00	AS	smooth	0,05	72 NBR 902	BAUSLX2	470447	●
120,00	150,00	15,00	AS	smooth	0,05	75 FKM 585	BAUMSL	470448	●
120,00	150,00	15,00	-	smooth	0,05	72 NBR 902	MSS 1	525406	●
120,00	150,00	15,00	-	smooth	0,05	75 FKM 585	MSS 1	525435	●
120,00	150,00	16,00	A	smooth	0,05	72 NBR 902	BADUO	370744	○
120,00	160,00	10,00	B	metal	0,05	72 NBR 902	B1USL	414273	●
120,00	160,00	10,00	BS	metal	0,05	72 NBR 902	B1SL	478718	●
120,00	160,00	10,00	B	metal	0,05	72 NBR 902	B1U	478719	●
120,00	160,00	12,00	A	smooth	0,05	72 NBR 902	BA	14120	●
120,00	160,00	12,00	B	metal	0,05	72 NBR 902	B1	2610	●
120,00	160,00	12,00	A	grooved	0,05	75 FKM 585	BAUMX7	407104	●
120,00	160,00	12,00	AS	grooved	0,05	75 FKM 585	BAUMSLX7	411290	●
120,00	160,00	13,00	C	metal	0,05	72 NBR 902	B2	23319	●

● Available from stock ○ On request: Tool is available, delivery at short notice * → Diagram 2, page 18

d ₁	d ₂	b	DIN 3761	Outer surface	Pressure	Material	Type	Article No.	
120,00	160,00	15,00	C	metal	0,05	72 NBR 902	B2	23320	●
120,00	170,00	15,00	C	metal	0,05	72 NBR 902	B2U	23533	●
120,00	180,00	12,00	AS	smooth	0,05	72 NBR 902	BAUSLX2	49043674	●
120,00	180,00	12,00	A	smooth	0,05	72 NBR 902	BAUX2	49043675	●
120,00	180,00	12,00	-	smooth	0,05	72 NBR 902	MSS 7	522346	●
120,00	180,00	15,00	AS	smooth	0,05	72 NBR 902	BAUSLX2	470451	●
120,00	180,00	15,00	AS	smooth	0,05	75 FKM 585	BAUMSL	470452	●
120,00	180,00	15,00	A	smooth	0,05	72 NBR 902	BAUX2	49031233	○
120,00	200,00	14,00	AS	grooved	0,05	72 NBR 902	BAUSLX27	451037	●
120,00	200,00	14,00	A	grooved	0,05	72 NBR 902	BAUX27	453168	●
120,00	200,00	14,00	AS	smooth	0,05	75 FKM 585	BAUMSL	49011950	●
120,00	200,00	14,00	A	smooth	0,05	75 FKM 585	BAUM	49012125	●
122,00	150,00	13,00	C	metal	0,05	72 NBR 902	B2U	23322	●
122,00	150,00	15,00	C	metal	0,05	72 NBR 902	B2	23323	○
122,00	150,00	15,00	AS	smooth	0,05	72 NBR 902	BASL	9427	●
122,00	200,00	15,00	AS	smooth	0,05	72 NBR 902	BAUSLX2	475364	●
122,00	200,00	15,00	AS	grooved	0,05	75 FKM 585	BAUMSLX7	477613	●
124,00	150,00	15,00	C	metal	0,05	72 NBR 902	B2	23324	●
125,00	145,00	13,00	A	grooved	0,05	75 FKM 585	BAUMX7	49016136	○
125,00	150,00	12,00	AS	grooved	0,02	72 NBR 902	BAFUDSLX7	334229	●
125,00	150,00	12,00	A	grooved	0,02	72 NBR 902	BAFUDX7	335125	●
125,00	150,00	12,00	B	metal	0,02	72 NBR 902	B1FUD	335977	●
125,00	150,00	12,00	C	metal	up to 1 MPa	PTFE F56101	B2PT	406838	●
125,00	150,00	12,00	AS	grooved	0,05	75 FKM 585	BAUMSLX7	407276	●
125,00	150,00	12,00	AS	smooth	*	75 FKM 585	BABSL	455694	○
125,00	150,00	12,00	A	grooved	0,05	75 FKM 585	BAUMX7	49045094	○
125,00	150,00	13,00	BS	metal	0,05	72 NBR 902	B1SL	20190	●
125,00	150,00	13,00	C	metal	0,02	72 NBR 902	B2FUD	335161	●
125,00	150,00	13,00	BS	metal	0,02	72 NBR 902	B1FUDSL	364318	●
125,00	150,00	13,00	A	smooth	0,05	72 NBR 902	BA	9440	●
125,00	150,00	15,00	C	metal	0,02	72 NBR 902	B2FUD	335994	●
125,00	150,00	15,00	A	grooved	0,05	75 FKM 585	BAUMX7	389702	●
125,00	150,00	15,00	CS	metal	0,05	72 NBR 902	B2USL	409243	●
125,00	152,40	15,00	C	metal	0,05	72 NBR 902	B2	3824	●
125,00	160,00	12,00	A	smooth	0,05	72 NBR 902	BA	14142	●
125,00	160,00	12,00	B	metal	0,05	72 NBR 902	B1	14766	●
125,00	160,00	12,00	A	grooved	0,05	75 FKM 585	BAUMX7	411240	●
125,00	160,00	13,00	B	metal	0,05	72 NBR 902	B1	19974	●
125,00	160,00	13,00	C	metal	0,05	72 NBR 902	B2	23328	●
125,00	160,00	15,00	C	metal	0,05	72 NBR 902	B2	23329	●
125,00	160,00	15,00	CS	metal	0,05	72 NBR 902	B2SL	25638	○
125,00	160,00	15,00	AS	smooth	0,05	72 NBR 902	BAUSLX2	470445	●
125,00	160,00	15,00	AS	smooth	0,05	75 FKM 585	BAUMSL	470446	●
125,00	160,00	15,00	-	smooth	0,05	72 NBR 902	MSS 1	525408	●
125,00	170,00	13,00	C	metal	0,05	72 NBR 902	B2	23330	●
125,00	170,00	15,00	C	metal	0,05	72 NBR 902	B2	23331	●
125,00	180,00	12,00	AS	smooth	0,05	72 NBR 902	BAUSLX2	522355	●
125,00	200,00	15,00	AS	smooth	0,05	72 NBR 902	BAUSLX2	470425	●
125,00	200,00	15,00	AS	smooth	0,05	75 FKM 585	BAUMSL	470426	●
125,00	200,00	15,00	-	smooth	0,05	72 NBR 902	MSS 1	525412	●

● Available from stock ○ On request: Tool is available, delivery at short notice * → Diagram 2, page 18

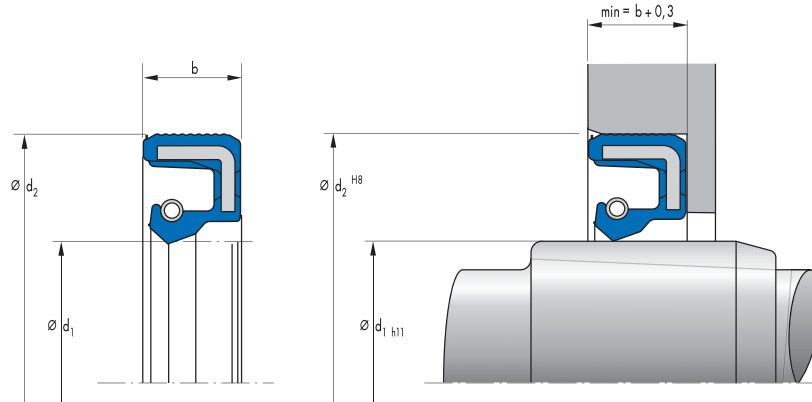


d_1	d_2	b	DIN 3761	Outer surface	Pressure	Material	Type	Article No.	
128,00	146,00	13,50	C	metal	0,02	72 NBR 902	B2FUD	341229	●
128,00	150,00	12,50	C	metal	0,05	75 FKM 585	B2U	24662	○
128,00	150,00	13,00	A	smooth	0,05	72 NBR 902	BAU	9452	●
128,00	150,00	15,00	B	metal	0,05	72 NBR 902	B1	19565	●
128,00	150,00	15,00	C	metal	0,05	72 NBR 902	B2U	23332	●
128,00	160,00	15,00	C	metal	0,05	72 NBR 902	B2U	23333	●
129,00	160,00	15,00	C	metal	0,05	72 NBR 902	B2	23335	●
130,00	150,00	7,50	AS	smooth	*	72 NBR 902	BABSL	369321	●
130,00	150,00	15,00	A	grooved	0,05	75 FKM 585	BAUMX7	530591	●
130,00	155,00	10,00	C	metal	0,05	72 NBR 902	B2U	21415	●
130,00	160,00	7,50	AS	smooth	*	75 FKM 595	BABSL	529820	●
130,00	160,00	12,00	AS	smooth	*	72 NBR 902	BABSL	12011537	●
130,00	160,00	12,00	A	grooved	0,02	72 NBR 902	BAFUDX7	364316	●
130,00	160,00	12,00	B	metal	0,05	72 NBR 902	B1USL	370762	●
130,00	160,00	12,00	A	grooved	0,05	75 FKM 585	BAUMX7	402397	●
130,00	160,00	12,00	AS	grooved	0,05	75 FKM 585	BAUMSLX7	474122	●
130,00	160,00	12,00	AS	smooth	0,05	72 NBR 902	BAUSLX2	49030495	●
130,00	160,00	12,00	AS	smooth	*	75 FKM 595	BABSL	529506	●
130,00	160,00	12,00	B	metal	0,05	72 NBR 902	B1U	8105	●
130,00	160,00	13,00	BS	metal	0,05	72 NBR 902	B1SL	20272	●
130,00	160,00	13,00	C	metal	0,05	72 NBR 902	B2U	23336	●
130,00	160,00	13,00	A	grooved	0,02	72 NBR 902	BAFUDX7	335201	●
130,00	160,00	14,00	A	smooth	0,05	72 NBR 902	BAU	376145	●
130,00	160,00	15,00	B	metal	0,05	72 NBR 902	B1U	19976	●
130,00	160,00	15,00	CS	metal	0,05	72 NBR 902	B2USL	34910	●
130,00	160,00	15,00	C	metal	0,02	72 NBR 902	B2FUD	364341	●
130,00	160,00	15,00	A	grooved	0,05	75 FKM 585	BAUMX7	389456	●
130,00	160,00	15,00	A	smooth	0,05	72 NBR 902	BAUSL	9463	●
130,00	165,00	13,00	C	metal	0,05	72 NBR 902	B2U	23338	●
130,00	170,00	12,00	AS	smooth	0,02	72 NBR 902	BAFUDSL	12013366	●
130,00	170,00	12,00	A	smooth	0,05	72 NBR 902	BA	14143	●
130,00	170,00	12,00	A	grooved	0,05	75 FKM 585	BAUMX7	407050	●
130,00	170,00	12,00	AS	grooved	0,05	75 FKM 585	BAUMSLX7	411238	●
130,00	170,00	13,00	C	metal	0,05	72 NBR 902	B2	23340	●
130,00	170,00	15,00	C	metal	0,05	72 NBR 902	B2	23342	●
130,00	170,00	15,00	CS	metal	0,05	72 NBR 902	B2USL	23476	●

● Available from stock ○ On request: Tool is available, delivery at short notice * → Diagram 2, page 18

d ₁	d ₂	b	DIN 3761	Outer surface	Pressure	Material	Type	Article No.	
130,00	170,00	15,00	AS	smooth	0,05	72 NBR 902	BAUSLX2	524696	●
130,00	180,00	15,00	C	metal	0,05	72 NBR 902	B2U	23343	●
130,00	200,00	15,00	AS	smooth	0,05	72 NBR 902	BAUSLX2	475361	●
130,00	200,00	15,00	AS	grooved	0,05	75 FKM 585	BAUMSLX7	477612	●
130,00	215,00	12,00	–	smooth	0,05	72 NBR 902	MSS 7	522311	●
130,00	215,00	15,00	AS	smooth	0,05	72 NBR 902	BAUSLX2	520454	●
130,00	215,00	15,00	AS	smooth	0,05	75 FKM 585	BAUMSL	520743	●
130,00	230,00	14,00	AS	grooved	0,05	72 NBR 902	BAUSLX27	451056	●
130,00	230,00	14,00	A	grooved	0,05	72 NBR 902	BAUX27	451058	●
132,00	160,00	13,00	C	metal	0,05	72 NBR 902	B2	23344	●
132,00	160,00	15,00	C	metal	0,05	72 NBR 902	B2	23345	●
135,00	159,00	6,50	A	metal	un-pressurised	80 NBR 177458	MSC 01	508558	●
135,00	159,00	6,50	A	metal	un-pressurised	80 FKM 177459	MSC 01	508603	●
135,00	160,00	12,00	A	smooth	0,02	72 NBR 902	BAFUD	12011085	●
135,00	160,00	13,00	C	metal	0,02	72 NBR 902	B2FUD	335199	●
135,00	160,00	14,00	C	metal	0,05	75 FKM 595	B2	432265	○
135,00	160,00	15,00	B	metal	0,02	72 NBR 902	B1FUD	335975	●
135,00	160,00	15,00	C	metal	0,02	72 NBR 902	B2FUD	335991	●
135,00	165,00	12,00	A	grooved	0,05	75 FKM 585	BAUMX7	521829	●
135,00	165,00	13,00	C	metal	0,05	72 NBR 902	B2U	23348	●
135,00	165,00	15,00	C	metal	0,05	72 NBR 902	B2	23537	●
135,00	170,00	10,00	B	metal	0,05	72 NBR 902	B1USL	430579	○
135,00	170,00	12,00	B	metal	0,05	72 NBR 902	B1U	11446	●
135,00	170,00	12,00	A	grooved	0,02	72 NBR 902	BAFUDX7	335202	●
135,00	170,00	12,00	AS	smooth	0,05	75 FKM 585	BAUMSL	375318	○
135,00	170,00	12,00	A	grooved	0,05	75 FKM 585	BAUMX7	411236	●
135,00	170,00	12,00	AS	smooth	0,05	72 NBR 902	BAUSLX2	478571	●
135,00	170,00	12,00	A	smooth	0,05	72 NBR 902	BAUX2	478573	●
135,00	170,00	13,00	C	metal	0,05	72 NBR 902	B2U	23349	●
135,00	170,00	15,00	B	metal	0,05	72 NBR 902	B1	19979	●
135,00	170,00	15,00	C	metal	0,05	72 NBR 902	B2U	23350	●
135,00	170,00	15,00	A	grooved	0,05	75 FKM 585	BAUMX7	389749	●
135,00	180,00	15,00	C	metal	0,05	72 NBR 902	B2U	23351	●
135,00	215,00	12,00	AS	smooth	0,05	72 NBR 902	BAUSLX2	522312	●
138,00	160,00	15,00	C	metal	0,02	72 NBR 902	B2FUD	335197	●
138,00	170,00	15,00	C	metal	0,05	72 NBR 902	B2U	23352	●
140,00	160,00	10,00	AS	smooth	*	72 NBR 902	BABSL	329169	●
140,00	160,00	10,00	AS	smooth	*	75 FKM 595	BABSL	476112	○
140,00	160,00	13,00	B	metal	0,02	72 NBR 902	B1FUD	344711	●
140,00	160,00	13,00	C	metal	0,05	72 NBR 902	B2U	374756	●
140,00	160,00	15,00	C	metal	0,02	72 NBR 902	B2FUD	345082	●
140,00	165,00	12,00	C	metal	0,05	72 NBR 902	B2	22821	●
140,00	165,00	12,00	A	smooth	0,05	72 NBR 902	BA	9475	●
140,00	165,00	15,00	C	metal	0,05	72 NBR 902	B2U	23354	●
140,00	170,00	12,00	AS	smooth	0,02	72 NBR 902	BAFUDSL	12014961	●
140,00	170,00	13,00	CS	metal	0,05	75 FKM 595	B2SL	2272	○
140,00	170,00	13,00	C	metal	0,02	72 NBR 902	B2FUD	335198	●
140,00	170,00	13,00	AS	grooved	0,05	75 FKM 585	BAUMSLX7	434702	●
140,00	170,00	13,00	A	smooth	0,05	72 NBR 902	BAU	9484	●
140,00	170,00	15,00	AS	smooth	*	72 NBR 902	BABSL	12011538	●

● Available from stock ○ On request: Tool is available, delivery at short notice * → Diagram 2, page 18

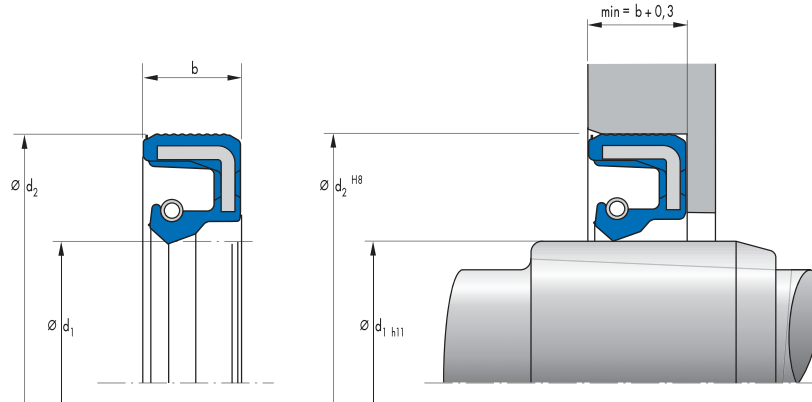


d_1	d_2	b	DIN 3761	Outer surface	Pressure	Material	Type	Article No.	
140,00	170,00	15,00	AS	smooth	*	72 NBR 902	BABSL	142668	●
140,00	170,00	15,00	CS	metal	0,02	72 NBR 902	B2FUDSL	334337	●
140,00	170,00	15,00	B	metal	0,02	72 NBR 902	B1FUD	335976	●
140,00	170,00	15,00	C	metal	0,02	72 NBR 902	B2FUD	335993	●
140,00	170,00	15,00	A	grooved	0,05	75 FKM 595	BAUMX7	348664	○
140,00	170,00	15,00	C	metal	up to 1 MPa	PTFE F56101	B2PT	365200	○
140,00	170,00	15,00	AS	smooth	*	75 FKM 595	BABSL	372626	●
140,00	170,00	15,00	A	grooved	0,05	75 FKM 585	BAUMX7	389458	●
140,00	170,00	15,00	A	smooth	0,05	72 NBR 902	BAUX2	478568	○
140,00	170,00	15,00	AS	smooth	0,05	72 NBR 902	BAUSLX2	49011061	●
140,00	170,00	15,00	A	smooth	0,05	72 NBR 902	BA	5743	●
140,00	170,00	15,00	AS	smooth	0,05	72 NBR 902	BASL	9491	●
140,00	170,00	15,00	A	smooth	0,05	72 NBR 902	BA	9493	●
140,00	180,00	12,00	A	smooth	0,02	72 NBR 902	BAFUD	12011089	●
140,00	180,00	12,00	AS	smooth	*	75 FKM 595	BABSL	476731	●
140,00	180,00	12,00	A	smooth	0,05	72 NBR 902	BAUX2	49037538	●
140,00	180,00	12,00	AS	smooth	*	72 NBR 902	BABSL	520212	●
140,00	180,00	15,00	B	metal	0,05	72 NBR 902	B1USL	20194	●
140,00	180,00	15,00	C	metal	0,05	72 NBR 902	B2	23357	●
140,00	180,00	15,00	CS	metal	0,05	72 NBR 902	B2SL	321493	●
140,00	190,00	15,00	C	metal	0,05	72 NBR 902	B2	23358	●
140,00	230,00	15,00	AS	grooved	0,05	72 NBR 902	BAUSLX27	451930	●
140,00	230,00	15,00	AS	smooth	0,05	75 FKM 585	BAUMSL	49012059	●
140,00	230,00	15,00	A	smooth	0,05	75 FKM 585	BAUM	49012122	●
140,00	230,00	15,00	A	grooved	0,05	72 NBR 902	BAUX27	532980	●
140,00	250,00	15,00	A	grooved	0,05	72 NBR 902	BAUX27	467792	●
140,00	250,00	15,00	AS	grooved	0,05	72 NBR 902	BAUSLX27	467868	●
140,00	250,00	15,00	AS	smooth	0,05	75 FKM 585	BAUMSL	49012058	●
140,00	250,00	15,00	A	smooth	0,05	75 FKM 585	BAUM	49012123	●
142,00	170,00	15,00	C	metal	0,05	72 NBR 902	B2U	23535	●
144,00	180,00	15,00	C	metal	0,05	72 NBR 902	B2	23359	●
145,00	165,00	13,00	C	metal	0,02	72 NBR 902	B2FUD	341228	●
145,00	170,00	13,00	BS	metal	0,05	72 NBR 902	B1SL	12011373	●
145,00	170,00	13,00	C	metal	0,05	72 NBR 902	B2U	23360	●
145,00	170,00	13,00	AS	smooth	0,05	72 NBR 902	BAUSLX2	49016145	●
145,00	170,00	13,00	CS	metal	0,05	72 NBR 902	B2SL	5238	●

● Available from stock ○ On request: Tool is available, delivery at short notice * → Diagram 2, page 18

d ₁	d ₂	b	DIN 3761	Outer surface	Pressure	Material	Type	Article No.	
145,00	170,00	15,00	A	smooth	0,05	72 NBR 902	BAU	106590	○
145,00	170,00	15,00	B	metal	0,05	72 NBR 902	B1U	20268	●
145,00	170,00	15,00	C	metal	0,05	72 NBR 902	B2U	23361	●
145,00	175,00	13,00	C	metal	0,05	72 NBR 902	B2U	114908	●
145,00	175,00	15,00	BS	metal	0,02	72 NBR 902	B1FUDSL	116558	●
145,00	175,00	15,00	A	smooth	0,05	72 NBR 902	BA	14163	●
145,00	175,00	15,00	C	metal	0,05	72 NBR 902	B2	2619	●
145,00	175,00	15,00	B	metal	0,05	72 NBR 902	B1	31533	●
145,00	175,00	15,00	A	grooved	0,05	75 FKM 585	BAUMX7	402486	●
145,00	180,00	13,00	AS	smooth	0,02	72 NBR 902	BAFUDSL	12011214	●
145,00	180,00	13,00	C	metal	0,05	72 NBR 902	B2	23362	●
145,00	180,00	15,00	C	metal	0,05	72 NBR 902	B2U	23363	●
145,00	190,00	15,00	C	metal	0,05	72 NBR 902	B2	23364	●
145,00	190,00	17,00	AS	smooth	0,05	72 NBR 902	BAUSLX2	470449	●
145,00	190,00	17,00	AS	smooth	0,05	75 FKM 585	BAUMSL	470450	●
145,00	230,00	17,00	AS	smooth	0,05	72 NBR 902	BAUSLX2	470427	●
145,00	230,00	17,00	AS	smooth	0,05	75 FKM 585	BAUMSL	470428	●
145,00	230,00	17,00	-	smooth	0,05	72 NBR 902	MSS 1	525413	●
145,00	230,00	17,00	-	smooth	0,05	75 FKM 585	MSS 1	525444	○
146,00	178,00	14,00	C	metal	0,05	72 NBR 902	B2	23366	○
146,00	193,70	10,00	AS	smooth	*	72 NBR 902	BABSL	454312	○
148,00	170,00	14,50	CS	metal	0,02	72 NBR 902	B2FUDSL	341227	●
148,00	170,00	15,00	C	metal	0,05	72 NBR 902	B2U	23367	●
148,00	170,00	15,00	A	smooth	0,05	72 NBR 902	BA	9501	●
148,00	180,00	15,00	C	metal	0,05	72 NBR 902	B2U	23368	●
150,00	170,00	15,00	C	metal	0,05	72 NBR 902	B2U	345083	●
150,00	180,00	8,50	AS	smooth	*	72 NBR 902	BABSL	146597	●
150,00	180,00	8,50	AS	smooth	*	75 FKM 585	BABSL	366770	●
150,00	180,00	8,50	AS	smooth	*	72 NBR 902	BABSL	49031083	●
150,00	180,00	13,00	C	metal	0,05	72 NBR 902	B2U	23370	●
150,00	180,00	13,00	C	metal	0,05	75 FKM 595	B2	431416	○
150,00	180,00	13,00	A	smooth	0,05	72 NBR 902	BA	9505	●
150,00	180,00	15,00	B	metal	0,05	72 NBR 902	B1U	19984	●
150,00	180,00	15,00	B	metal	0,05	72 NBR 902	B1USL	20195	○
150,00	180,00	15,00	C	metal	0,05	72 NBR 902	B2U	23371	●
150,00	180,00	15,00	CS	metal	0,05	72 NBR 902	B2USL	355455	●
150,00	180,00	15,00	BS	metal	0,02	72 NBR 902	B1FUDSL	356357	●
150,00	180,00	15,00	A	grooved	0,05	75 FKM 585	BAUMX7	389750	●
150,00	180,00	15,00	B	metal	0,05	72 NBR 902	B1USL	436128	○
150,00	180,00	15,00	A	smooth	0,05	72 NBR 902	BAU	49010296	●
150,00	180,00	15,00	AS	smooth	0,05	72 NBR 902	BAUSLX2	49010594	●
150,00	180,00	15,00	AS	grooved	0,05	75 FKM 585	BAUMSLX7	521014	●
150,00	190,00	15,00	C	metal	0,05	72 NBR 902	B2U	23372	●
150,00	190,00	15,00	C	metal	0,05	75 FKM 595	B2	49033343	○
150,00	200,00	15,00	C	metal	0,05	72 NBR 902	B2	23373	●
150,00	225,00	12,00	-	smooth	0,05	72 NBR 902	MSS 7	522345	●
150,00	225,00	15,00	AS	smooth	0,05	72 NBR 902	BAUSLX2	475365	●
150,00	225,00	15,00	AS	grooved	0,05	75 FKM 585	BAUMSLX7	477610	●
155,00	174,00	12,00	A	smooth	0,05	75 FKM 595	BAUM	410711	○
155,00	174,00	12,00	A	smooth	0,05	72 NBR 902	BA	9518	●

● Available from stock ○ On request: Tool is available, delivery at short notice * → Diagram 2, page 18

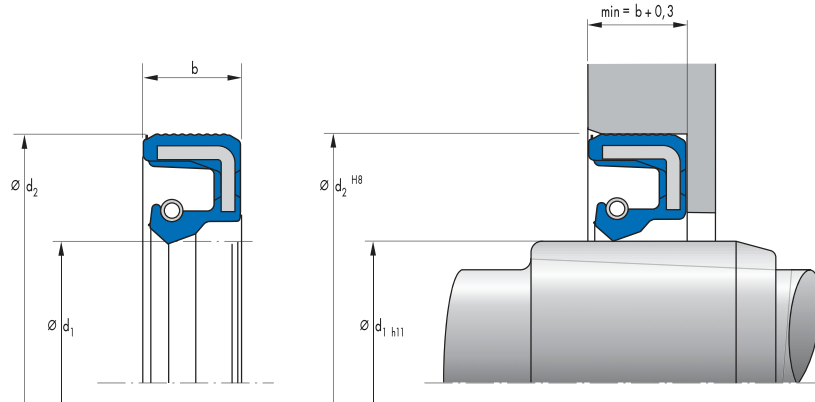


d ₁	d ₂	b	DIN 3761	Outer surface	Pressure	Material	Type	Article No.	
155,00	180,00	15,00	C	metal	0,05	72 NBR 902	B2	23376	●
155,00	180,00	15,00	A	smooth	0,05	75 FKM 585	BAUM	463990	○
155,00	180,00	15,00	AS	grooved	0,05	75 FKM 585	BAUMSLX7	474107	●
155,00	180,00	15,00	AS	smooth	0,05	72 NBR 902	BAUSLX2	478569	●
155,00	180,00	15,00	A	smooth	0,05	72 NBR 902	BAUX2	478570	●
155,00	190,00	13,00	AS	smooth	0,05	72 NBR 902	BAUSLX2	478579	●
155,00	190,00	13,00	A	smooth	0,05	72 NBR 902	BAUX2	478580	●
155,00	190,00	15,00	B	metal	0,05	72 NBR 902	B1	19985	●
155,00	190,00	15,00	C	metal	0,05	72 NBR 902	B2	23377	●
155,00	200,00	15,00	C	metal	0,05	72 NBR 902	B2	23379	●
155,00	225,00	12,00	AS	smooth	0,05	72 NBR 902	BAUSLX2	522354	●
158,00	180,00	15,00	C	metal	0,05	72 NBR 902	B2U	22826	●
160,00	180,00	10,00	B	metal	0,05	72 NBR 902	B1USL	328020	●
160,00	180,00	15,00	C	metal	0,02	72 NBR 902	B2FUD	395523	●
160,00	185,00	8,50	AS	smooth	*	72 NBR 902	BABSL	3790	●
160,00	185,00	10,00	B	metal	0,05	72 NBR 902	B1U	19986	●
160,00	185,00	10,00	A	smooth	0,05	72 NBR 902	BA	36952	●
160,00	185,00	14,00	A	smooth	0,05	72 NBR 902	BAU	331905	●
160,00	190,00	8,50	AS	smooth	*	75 FKM 595	BABSL	464827	○
160,00	190,00	13,00	B	metal	0,05	72 NBR 902	B1	19987	●
160,00	190,00	13,00	C	metal	0,05	72 NBR 902	B2	23380	●
160,00	190,00	15,00	AS	smooth	0,05	72 NBR 902	BASL	122255	●
160,00	190,00	15,00	B	metal	0,05	72 NBR 902	B1	19988	●
160,00	190,00	15,00	C	metal	0,05	72 NBR 902	B2U	23381	●
160,00	190,00	15,00	A	smooth	0,05	72 NBR 902	BAU	2627	●
160,00	190,00	15,00	A	smooth	0,05	72 NBR 902	BAU	323701	○
160,00	190,00	15,00	CS	metal	0,02	72 NBR 902	B2FUDSL	355453	●
160,00	190,00	15,00	A	grooved	0,05	75 FKM 585	BAUMX7	389752	●
160,00	190,00	15,00	AS	smooth	0,05	72 NBR 902	BAUSLX2	49030496	●
160,00	190,00	15,00	AS	grooved	0,05	75 FKM 585	BAUMSLX7	521015	●
160,00	200,00	10,00	AS	smooth	*	72 NBR 902	BABSL	523618	●
160,00	200,00	10,00	AS	smooth	*	75 FKM 595	BABSL	523619	●
160,00	200,00	15,00	C	metal	0,05	72 NBR 902	B2U	23383	●
160,00	240,00	14,00	AS	smooth	0,05	72 NBR 902	BAUSLX2	475366	●
160,00	240,00	14,00	AS	grooved	0,05	75 FKM 585	BAUMSLX7	477614	●
160,00	290,00	18,00	AS	grooved	0,05	72 NBR 902	BAUSLX27	452148	●

● Available from stock ○ On request: Tool is available, delivery at short notice * → Diagram 2, page 18

d ₁	d ₂	b	DIN 3761	Outer surface	Pressure	Material	Type	Article No.	
160,00	290,00	18,00	A	grooved	0,05	72 NBR 902	BAUX27	452149	●
160,00	290,00	18,00	AS	smooth	0,05	75 FKM 595	BAUMSL	49012057	●
160,00	290,00	18,00	A	smooth	0,05	75 FKM 595	BAUM	49012110	●
162,00	190,00	12,00	A	smooth	0,05	75 FKM 585	BAUM	410714	○
162,00	190,00	12,00	AS	smooth	0,05	72 NBR 902	BAUSLX2	478561	●
162,00	190,00	12,00	A	smooth	0,05	72 NBR 902	BAUX2	478563	●
162,00	190,00	12,00	AS	grooved	0,05	75 FKM 585	BAUMSLX7	520229	●
162,00	190,00	15,00	C	metal	0,05	72 NBR 902	B2	23384	●
165,00	190,00	13,00	B	metal	0,05	72 NBR 902	B1U	19989	●
165,00	190,00	13,00	B	metal	0,05	72 NBR 902	B1USL	20199	●
165,00	190,00	13,00	C	metal	0,05	72 NBR 902	B2U	23386	●
165,00	190,00	13,00	A	smooth	0,05	72 NBR 902	BA	9529	●
165,00	190,00	15,00	B	metal	0,05	72 NBR 902	B1U	19990	●
165,00	190,00	15,00	C	metal	0,05	72 NBR 902	B2U	23387	●
165,00	200,00	15,00	C	metal	0,05	72 NBR 902	B2	23388	●
168,00	190,00	15,00	C	metal	0,05	72 NBR 902	B2U	22828	●
168,00	190,00	15,00	A	smooth	0,05	75 FKM 595	BAUM	342151	○
168,00	200,00	15,00	C	metal	0,05	72 NBR 902	B2U	23389	●
168,00	200,00	15,00	C	metal	0,05	75 FKM 585	B2U	326623	○
170,00	190,00	15,00	B	metal	0,05	72 NBR 902	B1USL	315273	●
170,00	190,00	15,00	C	metal	0,02	72 NBR 902	B2FUD	341226	●
170,00	200,00	12,00	BS	metal	0,05	72 NBR 902	B1SL	37129	●
170,00	200,00	12,00	AS	smooth	*	75 FKM 595	BABSL	476560	○
170,00	200,00	12,00	AS	smooth	*	72 NBR 902	BABSL	520211	●
170,00	200,00	13,00	C	metal	0,05	72 NBR 902	B2U	23391	●
170,00	200,00	14,00	AS	smooth	*	72 NBR 902	BABSL	146585	●
170,00	200,00	14,00	AS	smooth	*	75 FKM 595	BABSL	397048	●
170,00	200,00	15,00	CS	metal	0,05	72 NBR 902	B2SL	23503	●
170,00	200,00	15,00	A	smooth	0,05	72 NBR 902	BA	31453	●
170,00	200,00	15,00	BS	metal	0,05	72 NBR 902	B1SL	31473	○
170,00	200,00	15,00	C	metal	0,02	72 NBR 902	B2FUD	355457	●
170,00	200,00	15,00	B	metal	0,02	72 NBR 902	B1FUD	356360	●
170,00	200,00	15,00	AS	grooved	0,02	72 NBR 902	BAFUDSLX7	364313	●
170,00	200,00	15,00	A	grooved	0,05	75 FKM 585	BAUMX7	389755	●
170,00	200,00	15,00	AS	grooved	0,05	75 FKM 585	BAUMSLX7	521016	●
170,00	215,00	16,00	C	metal	0,05	72 NBR 902	B2	23393	●
170,00	215,00	16,00	CS	metal	0,05	72 NBR 902	B2USL	478559	○
170,00	215,00	16,00	C	metal	0,05	72 NBR 902	B2U	478560	●
172,00	190,00	8,50	AS	smooth	*	75 FKM 595	BABSL	469004	●
172,00	200,00	15,00	C	metal	0,05	72 NBR 902	B2U	23395	●
174,00	190,00	5,00	A	smooth	0,05	72 NBR 902	BAUSL	406551	○
175,00	200,00	15,00	C	metal	0,02	72 NBR 902	B2FUD	334979	●
175,00	200,00	15,00	B	metal	0,05	75 FKM 595	B1U	426969	○
175,00	200,00	15,00	A	smooth	0,05	72 NBR 902	BAU	526213	●
175,00	205,00	15,00	C	metal	up to 1 MPa	PTFE F56101	B2PT	471887	○
175,00	205,00	15,00	A	smooth	0,05	72 NBR 902	BA	9550	●
175,00	215,00	16,00	C	metal	0,05	72 NBR 902	B2U	23397	●
178,00	200,00	15,00	C	metal	0,05	72 NBR 902	B2U	23399	●
178,00	215,00	16,00	C	metal	0,05	72 NBR 902	B2	23400	●
180,00	200,00	12,00	C	metal	0,05	72 NBR 902	B2U	339544	●

● Available from stock ○ On request: Tool is available, delivery at short notice * → Diagram 2, page 18

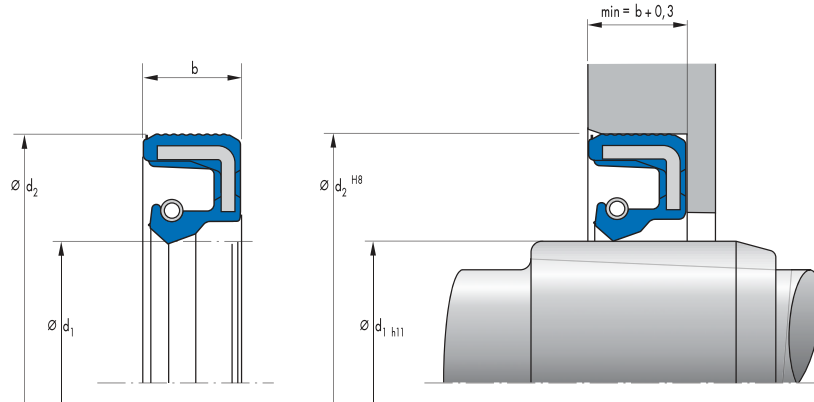


d_1	d_2	b	DIN 3761	Outer surface	Pressure	Material	Type	Article No.	
180,00	200,00	12,00	B	metal	0,05	72 NBR 902	B1USL	49002098	○
180,00	200,00	15,00	C	metal	0,05	72 NBR 902	B2U	23567	●
180,00	200,00	15,00	CS	metal	0,05	72 NBR 902	B2SL	326786	●
180,00	210,00	8,50	AS	smooth	*	72 NBR 902	BABSL	367484	●
180,00	210,00	8,50	AS	smooth	*	75 FKM 595	BABSL	520626	●
180,00	210,00	15,00	B	metal	0,05	72 NBR 902	B1U	19129	●
180,00	210,00	15,00	C	metal	0,05	72 NBR 902	B2U	2630	●
180,00	210,00	15,00	A	grooved	0,02	72 NBR 902	BAFUDX27	346139	●
180,00	210,00	15,00	A	grooved	0,05	75 FKM 585	BAUMX7	402490	●
180,00	210,00	15,00	AS	grooved	0,05	75 FKM 585	BAUMSLX7	521017	●
180,00	215,00	15,00	CS	metal	0,05	72 NBR 902	B2USL	27471	●
180,00	215,00	16,00	B	metal	0,05	72 NBR 902	B1	19992	●
180,00	215,00	16,00	C	metal	0,05	72 NBR 902	B2U	23402	●
180,00	215,00	16,00	AS	smooth	0,05	75 FKM 585	BAUMSL	392790	○
180,00	220,00	16,00	C	metal	0,05	72 NBR 902	B2	23403	●
182,00	215,00	16,00	C	metal	0,05	72 NBR 902	B2	23404	●
184,00	210,00	15,00	AS	smooth	0,05	75 FKM 595	BAUMSL	304125	○
185,00	205,00	11,00	AS	smooth	*	75 FKM 595	BABSL	531100	●
185,00	205,00	11,00	AS	smooth	*	72 NBR 902	BABSL	531108	●
185,00	210,00	13,00	A	grooved	0,02	72 NBR 902	BAFUDX27	334281	●
185,00	215,00	15,00	C	metal	0,05	72 NBR 902	B2U	23405	●
185,00	215,00	16,00	CS	metal	0,05	72 NBR 902	B2SL	100795	●
185,00	215,00	16,00	CS	metal	0,05	72 NBR 902	B2SL	23480	○
185,00	215,00	16,00	C	metal	0,05	75 FKM 585	B2U	471587	○
185,00	230,00	16,00	C	metal	0,05	72 NBR 902	B2	23406	●
188,00	215,00	16,00	C	metal	0,05	72 NBR 902	B2	23407	●
190,00	215,00	15,00	B	metal	0,05	72 NBR 902	B1U	19994	●
190,00	215,00	16,00	C	metal	0,05	72 NBR 902	B2U	22831	●
190,00	220,00	12,00	A	smooth	0,05	72 NBR 902	BAUSL	9561	●
190,00	220,00	15,00	A	smooth	0,05	72 NBR 902	BAU	11458	○
190,00	220,00	15,00	A	grooved	0,02	72 NBR 902	BAFUDX27	334745	●
190,00	220,00	15,00	C	metal	0,02	72 NBR 902	B2FUD	345085	●
190,00	220,00	15,00	B	metal	0,02	72 NBR 902	B1FUD	345090	●
190,00	220,00	15,00	AS	smooth	*	75 FKM 595	BABSL	363446	●
190,00	220,00	15,00	A	grooved	0,05	75 FKM 585	BAUMX7	389697	●
190,00	220,00	15,00	AS	smooth	*	72 NBR 902	BABSL	427821	●

● Available from stock ○ On request: Tool is available, delivery at short notice * → Diagram 2, page 18

d ₁	d ₂	b	DIN 3761	Outer surface	Pressure	Material	Type	Article No.	
190,00	220,00	15,00	AS	grooved	0,05	75 FKM 585	BAUMSLX7	454176	●
190,00	220,00	16,00	B	metal	0,02	72 NBR 902	B1FUD	345091	●
190,00	220,00	16,00	B	metal	0,05	75 FKM 585	B1U	49011248	○
190,00	225,00	16,00	AS	smooth	0,05	72 NBR 902	BAUSLX2	478703	●
190,00	225,00	16,00	A	smooth	0,05	72 NBR 902	BAUX2	478704	●
190,00	230,00	16,00	C	metal	0,05	72 NBR 902	B2	23409	●
195,00	220,00	16,00	C	metal	0,05	72 NBR 902	B2U	23411	●
195,00	220,00	16,00	C	metal	0,05	75 FKM 595	B2U	530942	○
195,00	230,00	15,00	C	metal	0,05	72 NBR 902	B2	23412	●
200,00	230,00	13,00	AS	smooth	*	72 NBR 902	BABSL	360342	●
200,00	230,00	13,00	AS	smooth	*	75 FKM 595	BABSL	529444	●
200,00	230,00	15,00	B	metal	0,05	72 NBR 902	B1USL	20269	●
200,00	230,00	15,00	C	metal	0,05	72 NBR 902	B2U	23414	●
200,00	230,00	15,00	B	metal	0,05	72 NBR 902	B1	26728	●
200,00	230,00	15,00	A	smooth	0,05	72 NBR 902	BA	31464	●
200,00	230,00	15,00	CS	metal	0,05	72 NBR 902	B2SL	34917	●
200,00	230,00	15,00	A	smooth	0,05	72 NBR 902	BAUSL	349992	●
200,00	230,00	15,00	A	grooved	0,05	75 FKM 585	BAUMX7	407051	●
200,00	230,00	15,00	AS	grooved	0,05	75 FKM 585	BAUMSLX7	520230	●
200,00	230,00	16,00	B	metal	0,05	72 NBR 902	B1U	19996	●
200,00	250,00	15,00	C	metal	0,05	72 NBR 902	B2	23415	●
200,00	310,00	18,00	AS	smooth	0,05	75 FKM 595	BAUMSL	49011949	●
200,00	310,00	18,00	A	smooth	0,05	75 FKM 595	BAUM	49012111	●
205,00	230,00	15,00	B	metal	0,05	72 NBR 902	B1	19997	●
205,00	230,00	15,00	A	grooved	0,05	75 FKM 585	BAUMX7	528843	●
205,00	230,00	16,00	C	metal	0,05	72 NBR 902	B2U	22832	●
205,00	250,00	16,00	C	metal	0,05	72 NBR 902	B2	25648	●
210,00	240,00	15,00	B	metal	0,05	72 NBR 902	B1U	19239	●
210,00	240,00	15,00	A	smooth	0,05	72 NBR 902	BA	2546	●
210,00	240,00	15,00	C	metal	0,05	72 NBR 902	B2	2551	●
210,00	240,00	15,00	C	metal	0,05	75 FKM 595	B2U	312565	○
210,00	240,00	15,00	AS	grooved	0,05	75 FKM 585	BAUMSLX7	474108	●
210,00	250,00	16,00	C	metal	0,05	72 NBR 902	B2U	23418	●
215,00	235,00	10,00	AS	smooth	0,05	75 FKM 595	BAUMSL	478540	○
215,00	240,00	12,00	A	smooth	0,05	72 NBR 902	BAUX2	9577	●
215,00	245,00	16,00	C	metal	0,05	75 FKM 585	B2U	327418	○
215,00	250,00	16,00	C	metal	0,05	72 NBR 902	B2U	23419	●
215,00	250,00	16,00	C	metal	0,05	75 FKM 595	B2U	429789	○
215,00	250,00	16,00	A	smooth	0,05	72 NBR 902	BAU	9580	●
218,00	250,00	16,00	C	metal	0,05	72 NBR 902	B2	23420	●
220,00	250,00	11,00	B	metal	0,05	72 NBR 902	B1	20440	●
220,00	250,00	15,00	CS	metal	0,05	72 NBR 902	B2SL	150730	●
220,00	250,00	15,00	B	metal	0,05	72 NBR 902	B1	20444	●
220,00	250,00	15,00	C	metal	0,05	72 NBR 902	B2U	23421	●
220,00	250,00	15,00	C	metal	0,05	75 FKM 595	B2U	433549	○
220,00	250,00	15,00	A	grooved	0,05	75 FKM 585	BAUMX7	435004	●
220,00	250,00	15,00	AS	grooved	0,05	75 FKM 585	BAUMSLX7	468763	●
220,00	250,00	15,00	CS	metal	0,05	72 NBR 902	B2USL	478509	●
220,00	250,00	15,00	C	metal	0,05	72 NBR 902	B2U	478510	●
220,00	250,00	15,00	AS	grooved	0,05	72 NBR 902	BAUSLX7	49027671	●

● Available from stock ○ On request: Tool is available, delivery at short notice * → Diagram 2, page 18

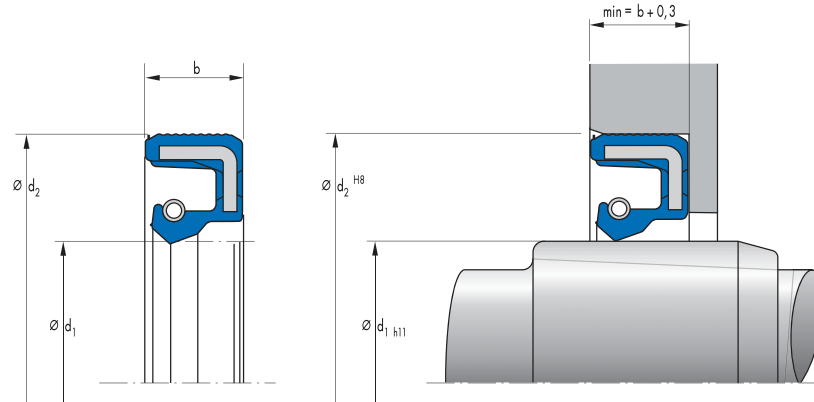


d_1	d_2	b	DIN 3761	Outer surface	Pressure	Material	Type	Article No.	
220,00	250,00	15,00	A	grooved	0,02	72 NBR 902	BAUX7	49027702	●
220,00	250,00	16,00	BS	metal	0,05	72 NBR 902	B1SL	21153	●
220,00	270,00	15,00	C	metal	0,05	72 NBR 902	B2	23714	●
225,00	250,00	16,00	C	metal	0,05	72 NBR 902	B2	22834	●
225,00	270,00	16,00	C	metal	0,05	72 NBR 902	B2	23715	●
230,00	250,00	8,00	A	smooth	un-pressurised	72 NBR 902	BAOF	316204	●
230,00	255,00	10,00	B	metal	0,05	72 NBR 902	B1	20441	●
230,00	255,00	15,00	A	smooth	0,05	72 NBR 902	BAUX2	49020472	●
230,00	260,00	15,00	A	smooth	0,05	72 NBR 902	BA	14221	●
230,00	260,00	15,00	B	metal	0,05	72 NBR 902	B1	20859	●
230,00	260,00	15,00	C	metal	0,05	72 NBR 902	B2	2555	●
230,00	260,00	15,00	AS	smooth	0,05	72 NBR 902	BASL	28250	●
230,00	260,00	15,00	A	grooved	0,05	75 FKM 585	BAUMX7	412593	●
230,00	260,00	15,00	AS	grooved	0,05	75 FKM 585	BAUMSLX7	520231	●
230,00	260,00	15,00	C	metal	0,05	75 FKM 595	B2	83032	○
230,00	270,00	15,00	C	metal	0,05	72 NBR 902	B2	23718	●
230,00	270,00	16,00	B	metal	0,05	72 NBR 902	B1U	20446	●
230,00	280,00	16,00	C	metal	0,05	72 NBR 902	B2	23719	●
235,00	270,00	16,00	C	metal	0,05	72 NBR 902	B2U	23720	●
240,00	270,00	8,50	AS	smooth	*	72 NBR 902	BABSL	412661	●
240,00	270,00	8,50	AS	smooth	*	75 FKM 595	BABSL	430275	●
240,00	270,00	15,00	B	metal	0,05	72 NBR 902	B1	27251	●
240,00	270,00	15,00	A	smooth	0,05	75 FKM 585	BAUM	414150	●
240,00	270,00	15,00	CS	metal	0,05	72 NBR 902	B2USL	478504	●
240,00	270,00	15,00	C	metal	0,05	72 NBR 902	B2U	478505	●
240,00	270,00	15,00	AS	smooth	0,05	72 NBR 902	BAUSLX2	478705	●
240,00	270,00	15,00	A	smooth	0,05	72 NBR 902	BAUX2	478706	○
240,00	270,00	15,00	AS	grooved	0,05	75 FKM 585	BAUMSLX7	520694	●
240,00	270,00	15,00	C	metal	0,05	75 FKM 585	B2U	67082	○
240,00	270,00	15,00	A	smooth	0,05	72 NBR 902	BAU	9592	●
240,00	280,00	16,00	C	metal	0,05	72 NBR 902	B2	23722	●
240,00	280,00	16,00	C	metal	0,05	75 FKM 585	B2	455906	○
240,00	290,00	16,00	C	metal	0,05	72 NBR 902	B2	23723	●
245,00	270,00	16,00	C	metal	0,05	72 NBR 902	B2U	23708	●
250,00	280,00	15,00	B	metal	0,05	72 NBR 902	B1	12086	●
250,00	280,00	15,00	A	smooth	0,05	75 FKM 585	BAUM	142223	○

● Available from stock ○ On request: Tool is available, delivery at short notice * → Diagram 2, page 18

d ₁	d ₂	b	DIN 3761	Outer surface	Pressure	Material	Type	Article No.	
250,00	280,00	15,00	C	metal	0,05	72 NBR 902	B2	2563	●
250,00	280,00	15,00	C	metal	0,05	75 FKM 585	B2	330565	○
250,00	280,00	15,00	A	smooth	0,05	72 NBR 902	BA	38350	●
250,00	280,00	15,00	CS	metal	0,05	72 NBR 902	B2SL	478501	●
250,00	280,00	15,00	C	metal	0,05	72 NBR 902	B2U	478503	●
250,00	280,00	15,00	AS	smooth	0,05	72 NBR 902	BAUSLX2	478708	●
250,00	280,00	15,00	A	grooved	0,05	75 FKM 585	BAUMX7	49035578	○
250,00	280,00	15,00	AS	grooved	0,05	75 FKM 585	BAUMSLX7	520695	●
250,00	280,00	16,00	C	metal	0,05	72 NBR 902	B2	23725	●
250,00	290,00	16,00	C	metal	0,05	72 NBR 902	B2	23726	●
255,00	290,00	12,00	A	smooth	0,05	72 NBR 902	BAU	303665	●
255,00	290,00	16,00	C	metal	0,05	72 NBR 902	B2U	23727	●
260,00	280,00	10,00	AS	smooth	*	72 NBR 902	BABSL	407571	●
260,00	280,00	10,00	AS	smooth	*	75 FKM 595	BABSL	520246	●
260,00	280,00	16,00	C	metal	0,05	72 NBR 902	B2	25363	●
260,00	290,00	16,00	C	metal	0,05	72 NBR 902	B2U	23728	●
260,00	290,00	16,00	C	metal	0,05	75 FKM 595	B2	301481	○
260,00	300,00	20,00	B	metal	0,05	72 NBR 902	B1U	2564	●
260,00	300,00	20,00	C	metal	0,05	72 NBR 902	B2	31706	●
260,00	300,00	20,00	AS	grooved	0,05	75 FKM 585	BAUMSLX7	520696	●
260,00	310,00	16,00	C	metal	0,05	72 NBR 902	B2U	23729	●
265,00	290,00	16,00	C	metal	0,05	72 NBR 902	B2U	23746	●
265,00	290,00	16,00	C	metal	0,05	75 FKM 595	B2	387240	○
265,00	310,00	16,00	C	metal	0,05	72 NBR 902	B2	23731	●
270,00	300,00	15,00	A	smooth	0,05	75 FKM 585	BAUM	333308	○
270,00	310,00	16,00	CS	metal	0,05	72 NBR 902	B2USL	150423	●
270,00	310,00	16,00	C	metal	0,05	72 NBR 902	B2	23733	●
270,00	310,00	16,00	A	smooth	0,05	75 FKM 585	BAUM	335347	○
270,00	310,00	16,00	B	metal	0,05	72 NBR 902	B1	359071	●
270,00	310,00	16,00	C	metal	0,05	75 FKM 595	B2	376654	○
275,00	310,00	16,00	C	metal	0,05	72 NBR 902	B2	23734	●
280,00	310,00	16,00	C	metal	0,05	72 NBR 902	B2	23736	●
280,00	320,00	20,00	B	metal	0,05	72 NBR 902	B1	2526	●
280,00	320,00	20,00	C	metal	0,05	72 NBR 902	B2	26356	●
280,00	320,00	20,00	CS	metal	0,05	72 NBR 902	B2USL	304607	●
280,00	320,00	20,00	C	metal	0,05	75 FKM 595	B2	308782	○
280,00	320,00	20,00	AS	grooved	0,05	75 FKM 585	BAUMSLX7	520697	●
285,00	310,00	16,00	C	metal	0,05	72 NBR 902	B2U	23710	●
285,00	325,00	16,00	A	smooth	0,05	72 NBR 902	BA	9600	●
290,00	330,00	16,00	B	metal	0,05	72 NBR 902	B1USL	20449	●
290,00	330,00	18,00	C	metal	0,05	72 NBR 902	B2U	31476	●
300,00	332,00	16,00	C	metal	0,05	72 NBR 902	B2	23750	●
300,00	335,00	18,00	C	metal	0,05	72 NBR 902	B2	23745	●
300,00	340,00	16,00	AS	grooved	0,05	72 NBR 902	BAUSLX7	346539	●
300,00	340,00	16,00	A	smooth	0,05	75 FKM 585	BAUM	530862	○
300,00	340,00	16,00	A	smooth	0,05	72 NBR 902	BA	9603	●
300,00	340,00	20,00	B	metal	0,05	72 NBR 902	B1	13450	●
300,00	340,00	20,00	C	metal	0,05	72 NBR 902	B2	2528	●
300,00	340,00	20,00	AS	smooth	*	72 NBR 902	BABSL	421276	●
300,00	340,00	20,00	C	metal	0,05	75 FKM 595	B2	435428	○

● Available from stock ○ On request: Tool is available, delivery at short notice * → Diagram 2, page 18



d_1	d_2	b	DIN 3761	Outer surface	Pressure	Material	Type	Article No.	
300,00	340,00	20,00	AS	grooved	0,05	75 FKM 585	BAUMSLX7	520698	●
310,00	350,00	18,00	C	metal	0,05	72 NBR 902	B2	25369	●
310,00	350,00	18,00	C	metal	0,05	75 FKM 595	B2	389112	○
315,00	355,00	18,00	C	metal	0,05	72 NBR 902	B2	23737	●
315,00	365,00	20,00	C	metal	0,05	75 FKM 595	B2U	126441	○
315,00	365,00	20,00	C	metal	0,05	72 NBR 902	B2	23531	●
320,00	340,00	10,00	B	metal	un-pressurised	72 NBR 902	B1OF	429045	○
320,00	350,00	18,00	C	metal	0,05	72 NBR 902	B2	34939	●
320,00	360,00	18,00	C	metal	0,05	72 NBR 902	B2	23738	●
320,00	360,00	18,00	C	metal	0,05	75 FKM 595	B2	424128	○
320,00	360,00	20,00	B	metal	0,05	72 NBR 902	B1	17866	●
320,00	360,00	20,00	C	metal	0,05	72 NBR 902	B2	2530	●
320,00	360,00	20,00	A	smooth	0,05	75 FKM 595	BAUM	324209	○
320,00	360,00	20,00	C	metal	0,05	75 FKM 595	B2	459247	○
320,00	360,00	20,00	AS	grooved	0,05	75 FKM 585	BAUMSLX7	520699	●
325,00	365,00	16,00	C	metal	0,05	72 NBR 902	B2	23760	●
330,00	370,00	18,00	C	metal	0,05	72 NBR 902	B2	23739	●
335,00	375,00	18,00	A	smooth	0,05	72 NBR 902	BA	9608	●
340,00	372,00	16,00	C	metal	0,05	72 NBR 902	B2	23754	●
340,00	380,00	18,00	C	metal	0,05	72 NBR 902	B2	23740	●
340,00	380,00	20,00	C	metal	0,05	75 FKM 585	B2	126482	○
340,00	380,00	20,00	C	metal	0,05	72 NBR 902	B2	2531	●
340,00	380,00	20,00	B	metal	0,05	72 NBR 902	B1	31645	●
340,00	380,00	20,00	A	grooved	0,05	75 FKM 585	BAUMX7	522482	○
340,00	380,00	20,00	AS	grooved	0,05	75 FKM 585	BAUMSLX7	523042	●
350,00	380,00	16,00	B	metal	0,05	72 NBR 902	B1	20447	●
350,00	390,00	18,00	C	metal	0,05	72 NBR 902	B2	23741	●
360,00	392,00	20,00	C	metal	0,05	72 NBR 902	B2	25510	●
360,00	400,00	18,00	C	metal	0,05	72 NBR 902	B2	23711	●
360,00	400,00	20,00	C	metal	0,05	75 FKM 595	B2	102925	○
360,00	400,00	20,00	B	metal	0,05	72 NBR 902	B1	2533	●
360,00	400,00	20,00	C	metal	0,05	72 NBR 902	B2	31739	●
365,00	405,00	18,00	C	metal	0,05	72 NBR 902	B2	23749	●
380,00	420,00	20,00	C	metal	0,05	75 FKM 585	B2	117105	○
380,00	420,00	20,00	C	metal	0,05	72 NBR 902	B2	2535	●
380,00	420,00	20,00	B	metal	0,05	72 NBR 902	B1	31667	●

● Available from stock ○ On request: Tool is available, delivery at short notice * → Diagram 2, page 18

d ₁	d ₂	b	DIN 3761	Outer surface	Pressure	Material	Type	Article No.	
380,00	430,00	19,00	C	metal	0,05	72 NBR 902	B2	25375	●
390,00	430,00	18,00	C	metal	0,05	72 NBR 902	B2	3565	●
394,00	420,00	16,00	AS	smooth	0,05	72 NBR 902	BASL	528215	●
394,00	420,00	16,00	A	smooth	0,05	72 NBR 902	BA	9611	●
395,00	430,00	18,00	C	metal	0,05	72 NBR 902	B2	23743	●
400,00	425,00	15,00	A	smooth	0,05	72 NBR 902	BA	355085	●
400,00	440,00	20,00	C	metal	0,05	72 NBR 902	B2	25377	●
400,00	440,00	20,00	B	metal	0,05	72 NBR 902	B1	31653	●
400,00	440,00	20,00	C	metal	0,05	75 FKM 595	B2	437815	○
400,00	450,00	20,00	A	smooth	0,05	72 NBR 902	BA	10569	●
420,00	460,00	20,00	C	metal	0,05	72 NBR 902	B2	23759	●
420,00	460,00	20,00	B	metal	0,05	72 NBR 902	B1	31668	●
420,00	460,00	20,00	A	smooth	0,05	75 FKM 585	BAUM	346641	○
420,00	460,00	20,00	C	metal	0,05	75 FKM 595	B2	428983	○
420,00	460,00	20,00	C	metal	0,05	75 FKM 595	B2	49011887	●
440,00	470,00	20,00	C	metal	0,05	72 NBR 902	B2	23748	●
440,00	480,00	20,00	B	metal	0,05	72 NBR 902	B1	2536	●
440,00	480,00	20,00	C	metal	0,05	72 NBR 902	B2	31751	●
440,00	480,00	20,00	B	metal	0,05	75 FKM 595	B1	429204	○
448,00	480,00	15,00	A	smooth	0,05	75 FKM 585	BAUM	451881	○
460,00	500,00	20,00	C	metal	0,05	72 NBR 902	B2	2539	●
460,00	500,00	20,00	B	metal	0,05	72 NBR 902	B1	31700	●
460,00	500,00	20,00	B	metal	0,05	75 FKM 585	B1	477548	○
467,00	510,00	20,00	C	metal	0,05	72 NBR 902	B2	23753	●
480,00	520,00	20,00	A	smooth	0,05	72 NBR 902	BA	10579	●
480,00	520,00	20,00	C	metal	0,05	72 NBR 902	B2	19783	●
480,00	520,00	20,00	B	metal	0,05	72 NBR 902	B1	31702	●
480,00	520,00	20,00	A	smooth	0,05	75 FKM 595	BAUM	49008731	○
500,00	540,00	20,00	C	metal	0,05	72 NBR 902	B2	2544	●
500,00	540,00	20,00	B	metal	0,05	72 NBR 902	B1	31704	●
500,00	540,00	20,00	B	metal	0,05	75 FKM 595	B1	430099	○
500,00	550,00	20,00	A	smooth	0,05	80 NBR 709	BAU	10580	●
530,00	580,00	20,00	C	metal	0,05	72 NBR 902	B2	105909	○
530,00	580,00	20,00	A	smooth	0,05	75 FKM 585	BAUM	49013753	○
540,00	585,00	30,00	A	smooth	0,05	72 NBR 902	BADUO	319550	○
560,00	610,00	20,00	A	smooth	0,05	80 NBR 709	BA	10582	●
560,00	610,00	20,00	A	smooth	0,05	75 FKM 595	BAUM	425242	○
600,00	640,00	20,00	C	metal	0,05	80 NBR 709	B2	23692	●
600,00	640,00	20,00	A	smooth	0,05	72 NBR 902	BA	307130	●
630,00	670,00	20,00	B	metal	0,05	75 FKM 595	B1USL	432655	○
640,00	680,00	20,00	C	metal	0,05	72 NBR 902	B2U	387666	●
650,00	690,00	20,00	C	metal	0,05	72 NBR 902	B2	88794	○
670,00	710,00	20,00	C	metal	0,05	72 NBR 902	B2	150313	○
680,00	730,00	20,00	C	metal	0,05	75 FKM 595	B2	435412	○
710,00	760,00	20,00	C	metal	0,05	80 NBR 709	B2	23684	●
760,00	800,00	20,00	C	metal	0,05	72 NBR 902	B2U	388786	○
760,00	800,00	20,00	A	smooth	0,05	75 FKM 585	BAUM	437124	○
799,00	860,00	25,00	C	metal	0,05	72 NBR 902	B2	125558	○
810,00	850,00	20,00	A	smooth	0,05	75 FKM 585	BAUM	436090	○
930,00	990,00	25,00	C	metal	0,05	72 NBR 902	B2	306488	○

● Available from stock ○ On request: Tool is available, delivery at short notice * → Diagram 2, page 18