



O-Rings and Static Seals

Catalog 2007



🌐 masterfluido.com.br

☎ (31) 3087-3332

Your Technology Specialist

simrit[®]

The information in this product catalog is based on the experience gained in decades of research on the development and manufacture of seals and components for vibration control in the Freudenberg group. It represents the current state of our knowledge.

The sealing effect of many products in the catalog is, however, not provided solely by the component. Indeed, in the specific application this effect depends on other parameters such as installation position and contact area, the pressure applied, operating temperature, media to be sealed, lubrication, vibration control-related effects and any ingress of dirt from the outside. This and other, unknown, factors in practical use can have a significant effect on the seals.

Against this background, general statements on the function of the products in the catalog are not possible. Information in this catalog only represents recommended values that are not correct

in every application. We therefore recommend you to discuss your specific application with our advisory service. In cases with high or special loads, for example due to aggressive media, the seal should be selected in collaboration with us; here trials on reliability are often indispensable.

In the context of product optimisation we reserve the right to change, without prior notice, the product range, production sites, products and their manufacturing process as well as the information in this catalog.

All previous issues become invalid on publication of this issue of the catalog.

Duplication in any form requires express approval from Freudenberg Simrit GmbH & Co. KG, 69465 Weinheim, Germany.

© Freudenberg Simrit GmbH & Co. KG
All rights reserved.





Simrit, Your Technology Specialist for Seals and Vibration Control



Simmerring®



Fluid Power



Hydraulic Accumulator



O-Rings



Liquid Silicon Products

Lederer



Special Sealing Products



Vibration Control

Our unique service package sets standards in quality, functionality and cost effectiveness throughout the industry.

With its comprehensive product range and large number of services, Simrit provides a service package unique in the market for almost every application. Simrit employs its leading technological expertise so that you benefit: We analyse your entire system and fine-tune the individual components to each other in an optimum way. This means you get exactly the solution that best fulfils your requirements – cost effective and dependable. Reinforced by single sourcing that saves time and costs, you will find that Simrit is your ideal partner for all sealing- and vibration-related applications when it comes to complex systems.

We have been the leading experts in materials for decades, and this is a significant factor for success, exceptional performance and continuous technological advancement of our products. Famous product names such as Simmerring®, Merkel, Integral Accumulator, ISC O-Ring or Lederer reflect this. Together with the fields of special sealing products and vibration technology, they are inseparably connected with the Simrit brand name and constitute the world's largest product range for all applications throughout industry.

As part of the Freudenberg Group, we draw upon established research, development and production expertise within the Group to constantly extend our technological lead through innova-

tive solutions for the purposes of – and in the service of – our global customers with their local market requirements. The close international cooperation of Simrit in Europe and America with our Japanese partner, NOK, in Asia provides you with consistent quality standards wherever our solutions are required. And with Simrit Service Centers in all industrial markets, our global sales network supports you and more than 100,000 other customers dependably and on a basis of mutual trust and cooperation at sites in every continent.

The Simrit service package at a glance:

- **World's largest product range**
Comprehensive solutions from a single source
- **Continuous innovations**
Technological prominence for the competitive advantage of our customers
- **Unique expertise in materials and high quality standards**
Leading know-how for safe and cost-effective applications
- **A huge number of integrated services**
Support from development up to continuous product deployment
- **Globality**
Global expertise with the knowledge of local market requirements



Your Simrit Partner





Elastomers with Excellent Characteristics – the Basis of Innovative Solutions

Thorough know-how about materials for more than 60 years

Simrit has now been developing innovative branded products at the highest level for more than 60 years. With in-depth experience on materials, well-founded knowledge of processing and extensive product know-how, again and again we create ideal pre-conditions for your success. However, the quality of the elastomer material is decisive for the optimum operation of seals and components used in vibration control. Therefore, we are particularly proud of our pioneering role worldwide in this sector.

Deliberately targeted development of materials guarantees the highest possible quality and long life

More than 250 engineers and chemists worldwide are developing new materials every day for the highest possible functional requirements in joint development ventures with various research institutions plus leading manufacturers of polymers and chemicals. The materials we develop must fulfil the respective customer-specific requirements and withstand all the loadings feasible in their branch of industry – both with regard to temperature, pressure and resistance to media and in the presence of static or

dynamic loadings. The length of life of our products is constantly being improved by optimising our materials. Constant monitoring on the road to these products becoming mass production materials also guarantees you the highest possible quality.



The Individual Materials We have Developed are Leaders Worldwide

Uniquely wide range of standard materials

We produce more than a billion seals annually from a production volume of more than 15,000 tons. When considered as a whole, a range of material, which is unique in its quality and quantity, is available to you with more than 1,500 mixtures of 850 raw materials for your individual applications in seals and vibration control. A large proportion of these are standardised mixtures. Of course, our competent team of experts will advise and assist you fully – from the selection of the right materials via the test phase to the start of production.



Comprehensive performance package and much more

Materials manufactured individually to your wishes and requirements are unusually important in the comprehensive performance package from Simrit. The use of polymers, based on our own raw materials and tailored to your requirements, enables Simrit to develop high performance materials which satisfy the highest functional demands. We use our global materials database for the selection of application-specific materials, which groups together the know-how

of our experts, working worldwide, to form a network of top technological services which we can call on at any time. Finally, the appropriate material with the optimum characteristics for your application is manufactured using computer-controlled procedures, from the selection of the raw material to the compounding process. Of course, always adhering to the highest standards in quality and processing and complying with ecological guidelines – in the interests of your success and the environment.

Simrit Academy – Secure these Advantages for Your Success



The Simrit Academy offers you seminars which are tailored to your needs in terms of content and specialisation levels. There are numerous advantages for you.

A know-how advantage

You receive information from more than 20 qualified experts with regards to state of the art products and materials. Thus ensuring the correct selection of parts as well as smooth workflows in your production processes.

Individuality

Our seminar programme covers the needs of beginners and pros alike. The selection is extensive, allowing for a choice appropriate to the level of knowledge.

Practical relevance

Reinforcement of theoretical knowledge through practical exercises. At the same time we invite you to view our production and research facilities.

Productivity

With the knowledge that you have gained, you can increase your productivity by appropriately selecting the correct products and materials every time.

Languages

All attendance seminars are offered in both German and English. Simultaneous translation is available at every Innovations Forum.

Sustainability

For each Simrit Academy event, you will also receive comprehensive documentation to accompany the course information. Your participation is substantiated by DIN-ISO 9001 format seminar certificate.



Simrit Seminars

You visit our Academy on location in Weinheim and directly experience all materials and products yourself. In doing so, you can choose one of three different seminar categories.

Simrit Basic Seminar

Participants without previous technical knowledge can get to know the entire Simrit performance package.

Simrit Professional Seminar

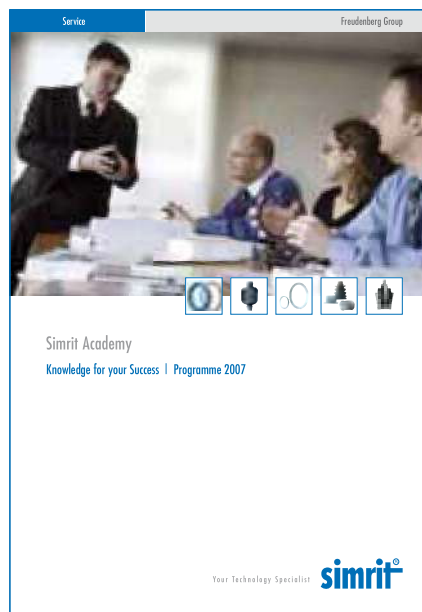
Become an expert on Simrit and obtain detailed knowledge about all products, processes and materials. Both in theory and in practice.

Simrit Seminar Special

The course contents are highly specialised and concentrate on conveying knowledge related to a specific product or material area.

Innovation Forum

Interested parties learn about all the new Simrit innovations in this lecture series, and can exchange knowledge and experience with panels of experts and with other participants.



Registration

You can easily register for Simrit seminars at www.simrit.com/academy. Additional detailed information on registering and on the seminars can be found in the Simrit Academy Programme 2007 brochure, which you can order or download from www.simrit.com.



Merkel Xpress – The 24 hour Express-Service for Seals, Guides and Pivoting Parts

When it has to be there in a hurry: Merkel Xpress from Simrit. Our service delivers the desired seal within 24 hours.

With Merkel Xpress from Simrit you can minimise your machine down-time – and therefore production costs. At the same time, you can reduce the number of spare parts you keep in stock. After all, if you can order it at any time, you don't need to keep it in stock. Ask us: you'll have your seal tomorrow.

The seal you need

Whatever you need at short notice, we can produce it within a few hours using state-of-the-art production technology. Tailor-made to suit your requirements, from single seals for prototypes through to mass production in economical batch sizes. Merkel Xpress saves you shaping costs and minimum order quantities – by using new materials and thanks to our high-speed production and delivery systems.

Merkel Xpress offers you:

- Delivery within 24 hours
- Seals of up to 4 metres in diameter
- From single seals to mass production
- Wide range of profiles
- Original Simrit materials and geometries
- Plus special designs and special materials
- Leading production know-how
- Continuous development of the product range



Tailor-made. Immediately. Economically.

The Triple Advantage of Merkel Xpress

Materials

Polyurethane:

SQ-PU

SQ-HPU

Further materials:

- For low-temperature ranges (down to -50°C)
- Self-lubricating properties
- With FDA approval

Elastomers:

SQ-NBR

SQ-HNBR

SQ-FKM (fluorelastomer)

SQ-EPDM *

SQ-SIL *

*Also with FDA approval (food safe)

Plastomers:

SQ-POM

SQ-PA

Fluoroplastic (PTFE):

SQ-WFLON (white, virginal)

SQ-GFLON (with 15% glass fibre, 5% MoS₂)

SQ-BFLON (with 40% bronze, or 60%)

SQ-CFLON (25% carbon)

Further qualities on request.



A flexible production concept for every requirement

With the newest generation of special lathes and software solutions developed to precisely satisfy customer demands, we can produce every machine-manufactured seal possible, quickly and economically. More than 260 pre-programmed seal design types serve as a basis for our efficient and rapid manufacturing processes. In this regard we work with both special materials such as PEEK and

FFKM, Original Simrit polyurethane and, of course, upon request every other market-standard material for your specific application. The perfect solution for:

- Non-standard seal and machined-part spare parts for every manufacturer
- Rapidly required standard seals
- Small-volume series of special seals
- Samples
- Substitute seals
- End-of-life design types whose series production will not be restarted

Further information can be found at www.simrit.com.

Realise Your Objectives
Quickly with www.simrit.com



Simrit Online – more than just a facelift. Thanks to a smart Navigation System – developed exactly to your requirements – the information you are looking for can be found about products and services with just a few mouse clicks.

The new online presence from Simrit, with integrated Smart Navigation, offers you a particularly easy and quick work platform for your Internet research. There's no quicker way for you to achieve your objective of getting solid expertise for your planning. Whether you need product information, material data sheets or want to access 3D-CAD data – in the user-friendly Simrit database you are sure to quickly find what you are looking for.

3D-CAD data – Download added value

With the 3D Download Service from Simrit you can reliably create your designs with visual clarity for your seal or vibration control solution. Including all technical details in three-dimensional display quality.

The new Simrit eCatalog

Up to 100.000 items accessible online and available within 24 hours. The new eCatalog in the Simrit portal makes it possible. And the best thing about it: The Simrit Product Navigator guides you in the easiest and most straightforward manner directly to the optimum product for your application. Find – compare – select. Convince yourself.

mySimrit – the easy, exclusive offering for smart online users

Register once – benefit continuously. As a registered user of the mySimrit customer area, you benefit from the continuously expanding service advantages. From initial query through product availability to quick CAD downloads and even accessing current news, you receive true added value for a minimum of registration effort. The best thing to do is test us today.





We speak your language:

As a worldwide leading technology specialist, of course we also make our Internet services available to you in your native language. Right from the start, our new online presence is represented in the national language of the most important industrial markets. And, we are continually expanding our portal for you.

Simrit on the Internet – your platform for successful business

- Smart navigation and full-text searches for rapid results
- An extensive eCatalog with more than 100.000 items
- Easy download function for 3D-CAD
- An overview of our brochure service by mouse click
- Availability query
- and much more





Table of Contents

ISC O-Ring	
	14
Static Seals	
Back-Up Ring SRA	105
Back-Up Ring SRI	109
Spiral Back-Up Ring SPR	112
Profiles for Static Applications	115
Usit Rings U, UA, USF	121
Plug & Seal Plug Connections	128
Merkel Cover Seal PU 82	130
Merkel Cover Seal PU 83	134
Merkel Grafiflex® Cover Seal	138
Merkel Cover Lid Seal Type 6324	139
Sealing Cover GA, GSA	140
Merkel Grafiflex® 6501	142
Merkel Endless Packing Rings	143

On the last pages you will find

Simrit Catalog Overview

**Simrit Service Centers and
Simrit Partners Worldwide**

Design Types in Alphabetical Order

C	
Cover Lid Seal Type 6324	139
E	
Endless Packing Rings	143
G	
GA	140
Grafiflex® 6501	142
Grafiflex® Cover Seal	138
GSA	140
O	
O-Ring	14
P	
Plug & Seal Plug Connections	128
Profiles for Static Applications	115
PU 82	130
PU 83	134
S	
SPR	112
SRA	105
SRI	109
U	
Usit Rings U, UA, USF	121

ISC O-Ring

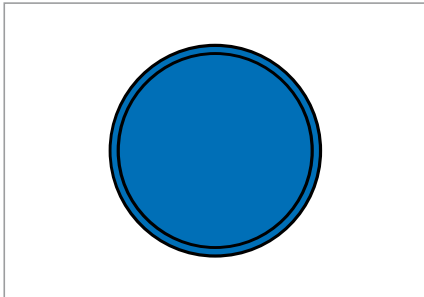


Fig. 1 ISC O-Ring

Product description

ISC O-Rings are endless round sealing rings of circular cross section. They are mainly used to seal stationary machine components – static case – against fluid and gaseous media. In certain conditions, they can also be used as a dynamic sealing component for axial, rotating and oscillating movement.

Product advantages

- In order to cover the widest possible range of technical applications, ISC O-Rings are supplied in various different material qualities:
- All catalogue materials for ISC O-Rings are specified and certified.

Material

Material	Operating parameters range
72 NBR 872	Standard material, which can be used for most applications (mineral oils, mineral oil based hydraulic fluids, static pressures up to approx. 100 bar)
88 NBR 156	Use as 72 NBR 872, but suitable for higher pressures.
80 FKM 610	For chemically aggressive media and high temperatures
70 EPDM 281	For glycol based hydraulic fluids, brake fluid, hot water
Simriz® (70 FFKM 495)	Chlorinated and high polar organic solvents, aromatics, Strong organic and inorganic acids and alkalis

The technical data for the standard materials for ISC O-Ring is specified in the → Technical Manual.

Special materials: for special applications a broad spectrum of other materials is available from Simrit → Technical Manual.

ISC O-Rings made of these materials are not held in stock.

Design notes

The dimensions of an ISC O-Ring are defined by inside dia. d_1 and ring thickness d_2 . These dimensions represent the parameters for the ISC O-Ring. The code for an ISC O-Ring in standard material with inside dia. 20,2 mm and a ring thickness 3 mm is as follows:

ISC O-Ring 20,2-3 72 NBR 872

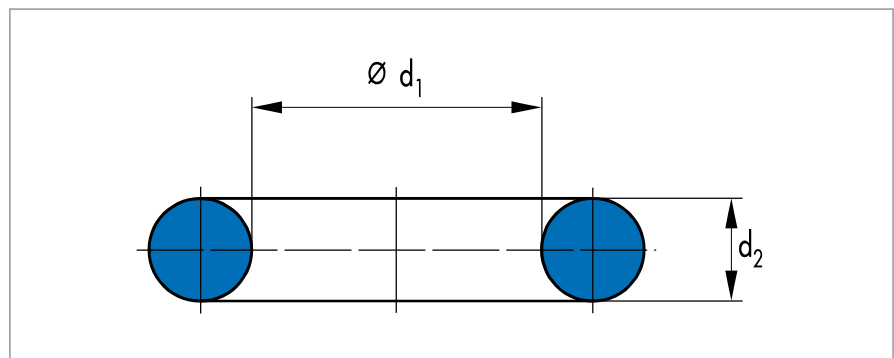


Fig. 2 Drawing with dimensions

Please observe our general design notes in → Technical Manual.

Packaged unit

Delivery in standard packaging units of 5 - 10 - 20 - 50 - 100 units, depending on customer requirements.



Article list

d ₁	d ₂	Material	Article No.	
1,00	0,50	72 NBR 872	49047921	○
1,01	1,13	72 NBR 872	49051131	○
1,01	1,81	72 NBR 872	49051132	○
1,43	1,53	72 NBR 872	49051133	○
1,50	0,50	72 NBR 872	49047952	○
1,50	1,00	70 EPDM 281	49047480	○
1,50	1,50	70 EPDM 281	49052718	○
1,50	1,50	72 NBR 872	49047933	○
1,78	1,02	72 NBR 872	446134	●
1,78	1,78	70 EPDM 281	446700	●
1,78	1,78	72 NBR 872	446063	●
1,79	1,02	72 NBR 872	49051134	○
1,79	1,19	72 NBR 872	49051135	○
1,80	1,20	70 EPDM 281	49047542	○
1,80	1,20	72 NBR 872	14451859	●
1,89	1,78	70 EPDM 281	49052719	○
2,00	0,50	72 NBR 872	49047896	○
2,00	1,00	70 EPDM 281	49047478	○
2,00	1,00	72 NBR 872	446113	●
2,00	1,50	70 EPDM 281	49047578	○
2,00	1,50	72 NBR 872	447699	●
2,00	1,50	80 FKM 610	49047800	○
2,01	1,00	70 EPDM 281	49052720	○
2,20	1,60	72 NBR 872	49047880	○
2,21	1,00	70 EPDM 281	49052721	○
2,50	1,20	70 EPDM 281	49047352	○
2,50	1,20	72 NBR 872	49007096	●
2,50	1,21	72 NBR 872	49051136	○
2,50	1,50	70 EPDM 281	49047356	○
2,50	2,40	72 NBR 872	49051137	○
2,52	1,52	72 NBR 872	49051138	○
2,57	1,78	70 EPDM 281	446474	●
2,57	1,78	72 NBR 872	49051139	○
2,60	0,80	72 NBR 872	49051140	○
2,60	1,30	72 NBR 872	14451860	●
2,60	1,70	70 EPDM 281	49047570	○
2,60	1,70	80 FKM 610	449373	●
2,60	1,90	72 NBR 872	14451861	●
2,60	1,90	80 FKM 610	49049528	○
2,60	2,00	72 NBR 872	14451862	●
2,60	2,00	80 FKM 610	49049529	○
2,60	2,40	80 FKM 610	49049530	○
2,70	1,50	72 NBR 872	49051141	○
2,70	1,60	80 FKM 610	49049531	○
2,72	1,50	70 EPDM 281	49052722	○
2,72	1,50	72 NBR 872	49051142	○
2,75	1,50	80 FKM 610	49049532	○
2,80	0,65	72 NBR 872	49047581	○
2,80	1,25	72 NBR 872	49051143	○

d ₁	d ₂	Material	Article No.	
2,80	1,60	72 NBR 872	447523	●
2,80	1,60	80 FKM 610	49049533	○
2,84	2,62	70 EPDM 281	49052723	○
2,84	2,62	72 NBR 872	49051144	○
2,84	2,62	80 FKM 610	49049534	○
2,88	1,78	70 EPDM 281	49052724	○
2,90	1,78	70 EPDM 281	447051	●
2,90	1,78	72 NBR 872	447134	●
2,90	1,78	80 FKM 610	449374	●
3,00	1,00	70 EPDM 281	447263	●
3,00	1,00	72 NBR 872	445614	●
3,00	1,00	80 FKM 610	449375	●
3,00	1,20	72 NBR 872	14451863	●
3,00	1,20	80 FKM 610	49049535	○
3,00	1,30	80 FKM 610	49049536	○
3,00	1,50	72 NBR 872	447995	●
3,00	1,50	80 FKM 610	49049537	○
3,00	2,00	72 NBR 872	446488	●
3,00	2,00	80 FKM 610	49049538	○
3,01	1,50	70 EPDM 281	49052725	○
3,10	1,60	70 EPDM 281	49047533	○
3,10	1,60	72 NBR 872	446570	●
3,10	1,60	80 FKM 610	49049539	○
3,15	1,25	80 FKM 610	49049540	○
3,17	1,78	70 EPDM 281	49052726	○
3,17	1,78	72 NBR 872	49051145	○
3,17	1,78	80 FKM 610	49049541	○
3,19	1,30	70 EPDM 281	49052727	○
3,20	1,90	70 EPDM 281	49047912	○
3,30	1,00	72 NBR 872	14451864	●
3,30	1,00	80 FKM 610	49049542	○
3,30	1,50	80 FKM 610	49049543	○
3,30	2,40	70 EPDM 281	447062	●
3,30	2,40	72 NBR 872	49004071	●
3,30	2,40	80 FKM 610	449376	●
3,30	2,40	88 NBR 156	60055	●
3,30	2,50	80 FKM 610	49049544	○
3,40	1,90	80 FKM 610	49049545	○
3,48	1,50	70 EPDM 281	49052728	○
3,50	0,90	72 NBR 872	449003	●
3,50	1,00	70 EPDM 281	49047633	○
3,50	1,00	72 NBR 872	446136	●
3,50	1,00	80 FKM 610	49049546	○
3,50	1,50	70 EPDM 281	445759	●
3,50	1,50	72 NBR 872	444499	●
3,50	1,50	80 FKM 610	49049547	○
3,51	1,78	72 NBR 872	49051146	○

● Available from stock

○ On request: Tool is available, delivery at short notice



d ₁	d ₂	Material	Article No.	
3,52	1,78	70 EPDM 281	49052729	○
3,63	2,62	70 EPDM 281	49052730	○
3,63	2,62	72 NBR 872	14451865	●
3,63	2,62	80 FKM 610	49049548	○
3,65	1,78	72 NBR 872	49051147	○
3,67	1,78	70 EPDM 281	49052731	○
3,68	1,78	70 EPDM 281	49003904	●
3,68	1,78	72 NBR 872	49004040	●
3,68	1,78	80 FKM 610	14453164	●
3,68	1,78	88 NBR 156	49047329	○
3,75	1,78	70 EPDM 281	49052732	○
3,75	1,78	72 NBR 872	49051148	○
3,75	1,78	80 FKM 610	49049549	○
3,80	1,00	80 FKM 610	49049550	○
3,80	1,50	80 FKM 610	49049551	○
3,80	1,80	88 NBR 156	49047474	○
3,80	1,95	70 EPDM 281	49047855	○
3,80	1,95	80 FKM 610	49049552	○
3,80	2,40	70 EPDM 281	49047941	○
3,90	1,80	70 EPDM 281	49047860	○
3,90	1,80	72 NBR 872	49004063	●
3,90	1,80	80 FKM 610	49049553	○
3,99	1,00	70 EPDM 281	49052733	○
3,99	1,20	70 EPDM 281	49052734	○
3,99	3,00	70 EPDM 281	49052735	○
3,99	4,00	70 EPDM 281	49052736	○
4,00	1,00	70 EPDM 281	14452986	●
4,00	1,00	72 NBR 872	49007085	●
4,00	1,00	80 FKM 610	449377	●
4,00	1,00	88 NBR 156	49047170	○
4,00	1,20	72 NBR 872	14451866	●
4,00	1,20	80 FKM 610	49049554	○
4,00	1,50	70 EPDM 281	445724	●
4,00	1,50	72 NBR 872	49007100	●
4,00	1,50	80 FKM 610	49047805	○
4,00	1,50	88 NBR 156	49047284	○
4,00	1,75	70 EPDM 281	49047667	○
4,00	1,75	80 FKM 610	49049555	○
4,00	2,00	70 EPDM 281	14452987	●
4,00	2,00	72 NBR 872	446064	●
4,00	2,00	80 FKM 610	49049556	○
4,00	2,20	72 NBR 872	14451867	●
4,00	2,20	80 FKM 610	49049557	○
4,00	3,00	72 NBR 872	14451868	●
4,00	3,00	80 FKM 610	49049558	○
4,00	3,00	88 NBR 156	49047674	○
4,00	4,00	72 NBR 872	445851	●
4,00	4,00	80 FKM 610	49049559	○
4,10	0,80	72 NBR 872	49047836	○
4,10	1,60	70 EPDM 281	49047540	○
4,10	1,60	80 FKM 610	49049560	○

d ₁	d ₂	Material	Article No.	
4,10	1,60	88 NBR 156	407773	●
4,20	1,90	70 EPDM 281	49047426	○
4,20	1,90	72 NBR 872	448579	●
4,20	1,90	80 FKM 610	49049561	○
4,30	2,40	72 NBR 872	448596	●
4,30	2,40	80 FKM 610	449378	●
4,30	2,40	88 NBR 156	60057	●
4,34	3,53	70 EPDM 281	49052737	○
4,34	3,53	72 NBR 872	49051149	○
4,34	3,53	80 FKM 610	49049562	○
4,42	2,62	70 EPDM 281	49052738	○
4,42	2,62	72 NBR 872	49051150	○
4,42	2,62	80 FKM 610	49049563	○
4,43	1,78	72 NBR 872	49051151	○
4,44	1,78	70 EPDM 281	49052739	○
4,47	1,73	80 FKM 610	49049564	○
4,47	1,78	70 EPDM 281	447052	●
4,47	1,78	72 NBR 872	447255	●
4,47	1,78	80 FKM 610	449379	●
4,47	1,78	88 NBR 156	60058	●
4,48	1,78	72 NBR 872	49051152	○
4,50	1,50	70 EPDM 281	49047658	○
4,50	1,50	72 NBR 872	49007087	●
4,50	1,50	80 FKM 610	49049565	○
4,50	1,80	72 NBR 872	106	●
4,50	2,00	80 FKM 610	49049566	○
4,50	2,50	72 NBR 872	14451869	●
4,50	2,50	80 FKM 610	49049567	○
4,50	4,98	70 EPDM 281	49052740	○
4,50	5,00	72 NBR 872	49047743	○
4,52	3,00	72 NBR 872	49051153	○
4,54	1,52	72 NBR 872	49051154	○
4,55	2,53	72 NBR 872	49051155	○
4,73	1,78	70 EPDM 281	49052741	○
4,75	1,78	70 EPDM 281	449004	●
4,75	1,78	72 NBR 872	49051156	○
4,75	1,78	80 FKM 610	49049568	○
4,77	2,03	72 NBR 872	49051157	○
4,79	1,63	70 EPDM 281	49052742	○
4,90	1,90	80 FKM 610	49049569	○
4,90	1,95	80 FKM 610	49049570	○
4,90	2,62	70 EPDM 281	446896	●
4,90	2,62	72 NBR 872	49051158	○
4,90	2,62	80 FKM 610	49049571	○
4,95	1,50	70 EPDM 281	49052743	○
4,99	1,50	72 NBR 872	49051159	○
4,99	2,50	72 NBR 872	49051160	○
5,00	1,00	70 EPDM 281	449005	●
5,00	1,00	72 NBR 872	49007103	●

● Available from stock

○ On request: Tool is available, delivery at short notice



d ₁	d ₂	Material	Article No.	
5,00	1,00	80 FKM 610	14453165	●
5,00	1,20	70 EPDM 281	49047753	○
5,00	1,20	72 NBR 872	444620	●
5,00	1,20	80 FKM 610	49047789	○
5,00	1,21	88 NBR 156	49047964	○
5,00	1,25	80 FKM 610	49049572	○
5,00	1,50	70 EPDM 281	49047594	○
5,00	1,50	72 NBR 872	49007112	●
5,00	1,50	80 FKM 610	449380	●
5,00	1,50	88 NBR 156	60059	●
5,00	1,60	72 NBR 872	447701	●
5,00	1,75	70 EPDM 281	49047710	○
5,00	1,75	80 FKM 610	49049573	○
5,00	2,00	70 EPDM 281	14452988	●
5,00	2,00	72 NBR 872	445514	●
5,00	2,00	80 FKM 610	49049574	○
5,00	2,01	88 NBR 156	49047965	○
5,00	2,50	70 EPDM 281	49047759	○
5,00	2,50	72 NBR 872	444512	●
5,00	2,50	80 FKM 610	49049575	○
5,00	2,50	88 NBR 156	60060	●
5,00	3,00	80 FKM 610	49047830	○
5,00	3,47	88 NBR 156	49047966	○
5,00	4,00	80 FKM 610	49049576	○
5,02	1,50	70 EPDM 281	49052744	○
5,03	1,00	70 EPDM 281	49052745	○
5,03	1,00	72 NBR 872	49051161	○
5,03	1,50	88 NBR 156	49047967	○
5,10	1,60	80 FKM 610	49049577	○
5,21	2,62	70 EPDM 281	49052746	○
5,22	1,78	88 NBR 156	49047968	○
5,23	2,62	72 NBR 872	49051162	○
5,23	2,62	80 FKM 610	49049578	○
5,23	2,62	88 NBR 156	49047969	○
5,25	1,78	70 EPDM 281	49052747	○
5,25	1,78	72 NBR 872	49051163	○
5,25	2,62	70 EPDM 281	49052748	○
5,25	2,62	88 NBR 156	49047970	○
5,27	1,78	88 NBR 156	49047971	○
5,28	1,78	70 EPDM 281	446953	●
5,28	1,78	72 NBR 872	445625	●
5,28	1,78	80 FKM 610	449381	●
5,28	1,78	88 NBR 156	60061	●
5,29	1,50	70 EPDM 281	49052749	○
5,29	2,00	70 EPDM 281	49052750	○
5,29	2,49	70 EPDM 281	49052751	○
5,30	2,01	88 NBR 156	49047972	○
5,30	2,40	70 EPDM 281	445733	●
5,30	2,40	72 NBR 872	445620	●
5,30	2,40	80 FKM 610	449382	●
5,30	2,40	88 NBR 156	60062	●

d ₁	d ₂	Material	Article No.	
5,30	2,50	88 NBR 156	49047973	○
5,48	1,50	88 NBR 156	49047974	○
5,49	2,49	70 EPDM 281	49052752	○
5,50	1,00	80 FKM 610	49049579	○
5,50	1,50	70 EPDM 281	49047443	○
5,50	1,50	72 NBR 872	14451445	●
5,50	1,50	80 FKM 610	49049580	○
5,50	1,50	88 NBR 156	49047285	○
5,50	1,80	80 FKM 610	49049581	○
5,50	2,20	80 FKM 610	49049582	○
5,50	2,50	88 NBR 156	49047975	○
5,50	2,80	80 FKM 610	49049583	○
5,50	4,50	72 NBR 872	49047744	○
5,52	1,50	88 NBR 156	49047976	○
5,52	2,01	88 NBR 156	49047977	○
5,54	2,82	88 NBR 156	49047978	○
5,58	1,81	88 NBR 156	49047979	○
5,60	2,40	80 FKM 610	49049584	○
5,63	1,83	88 NBR 156	49047980	○
5,69	1,89	88 NBR 156	49047981	○
5,70	1,50	80 FKM 610	49049585	○
5,70	1,90	70 EPDM 281	49047595	○
5,70	1,90	72 NBR 872	445599	●
5,70	1,90	80 FKM 610	49049586	○
5,80	1,80	80 FKM 610	49049587	○
5,90	2,00	70 EPDM 281	49047945	○
5,94	3,53	70 EPDM 281	49052753	○
5,94	3,53	72 NBR 872	49051164	○
5,94	3,53	80 FKM 610	49049588	○
5,95	2,20	88 NBR 156	49047982	○
5,96	2,01	88 NBR 156	49047983	○
5,96	2,50	88 NBR 156	49047984	○
5,98	2,01	88 NBR 156	49047985	○
5,98	2,50	88 NBR 156	49047986	○
5,98	2,98	88 NBR 156	49047987	○
5,99	0,80	70 EPDM 281	49052754	○
5,99	1,00	70 EPDM 281	49052755	○
5,99	1,00	72 NBR 872	49051165	○
5,99	1,05	88 NBR 156	49047988	○
5,99	1,30	70 EPDM 281	49052756	○
5,99	3,00	70 EPDM 281	49052757	○
5,99	3,00	72 NBR 872	49051166	○
6,00	0,80	72 NBR 872	49047894	○
6,00	1,00	70 EPDM 281	446698	●
6,00	1,00	72 NBR 872	49007101	●
6,00	1,00	80 FKM 610	49049589	○
6,00	1,20	72 NBR 872	49047712	○
6,00	1,50	70 EPDM 281	14452989	●
6,00	1,50	72 NBR 872	49004037	●

● Available from stock

○ On request: Tool is available, delivery at short notice

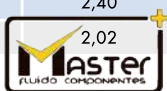


d ₁	d ₂	Material	Article No.	
6,00	1,50	80 FKM 610	449383	●
6,00	1,50	88 NBR 156	407774	●
6,00	1,78	88 NBR 156	49047989	○
6,00	2,00	70 EPDM 281	447137	●
6,00	2,00	72 NBR 872	49004068	●
6,00	2,00	80 FKM 610	449384	●
6,00	2,00	88 NBR 156	60064	●
6,00	2,20	72 NBR 872	447702	●
6,00	2,20	80 FKM 610	49049590	○
6,00	2,30	80 FKM 610	49049591	○
6,00	2,50	70 EPDM 281	49047484	○
6,00	2,50	72 NBR 872	446444	●
6,00	2,50	80 FKM 610	49049592	○
6,00	2,50	88 NBR 156	407775	●
6,00	3,00	70 EPDM 281	49047587	○
6,00	3,00	72 NBR 872	444523	●
6,00	3,00	80 FKM 610	449385	●
6,01	1,51	72 NBR 872	49051167	○
6,01	3,00	72 NBR 872	49051168	○
6,02	2,62	70 EPDM 281	14450970	●
6,02	2,62	72 NBR 872	49051169	○
6,02	2,62	80 FKM 610	49049593	○
6,03	2,62	70 EPDM 281	49052758	○
6,03	3,01	70 EPDM 281	49052759	○
6,04	1,83	88 NBR 156	49047990	○
6,04	2,07	88 NBR 156	49047991	○
6,04	2,62	88 NBR 156	49047992	○
6,04	3,01	88 NBR 156	49047993	○
6,06	1,00	70 EPDM 281	49052760	○
6,06	1,50	70 EPDM 281	49052761	○
6,06	1,50	72 NBR 872	49051170	○
6,07	1,63	80 FKM 610	49049594	○
6,07	1,78	70 EPDM 281	448160	●
6,07	1,78	72 NBR 872	446489	●
6,07	1,78	80 FKM 610	449386	●
6,07	1,78	88 NBR 156	60067	●
6,08	1,63	80 FKM 610	49049595	○
6,10	1,60	70 EPDM 281	14452990	●
6,10	1,60	72 NBR 872	303643	●
6,10	1,60	80 FKM 610	49049596	○
6,10	1,60	88 NBR 156	49047994	○
6,10	1,78	72 NBR 872	49051171	○
6,10	1,78	88 NBR 156	49047995	○
6,20	1,00	80 FKM 610	49049597	○
6,25	2,40	88 NBR 156	49047996	○
6,28	2,40	88 NBR 156	49047997	○
6,30	2,40	70 EPDM 281	14452991	●
6,30	2,40	72 NBR 872	448074	●
6,30	2,40	80 FKM 610	449387	●
6,30	2,40	88 NBR 156	60068	●
6,32	2,02	72 NBR 872	49051172	○

d ₁	d ₂	Material	Article No.	
6,33	1,83	88 NBR 156	49047998	○
6,35	1,78	70 EPDM 281	448511	●
6,35	1,78	72 NBR 872	49047458	○
6,35	1,78	80 FKM 610	49049598	○
6,38	1,30	70 EPDM 281	49052762	○
6,38	1,50	70 EPDM 281	49052763	○
6,40	1,90	80 FKM 610	49049599	○
6,43	1,91	88 NBR 156	49047999	○
6,45	2,01	88 NBR 156	49048000	○
6,46	1,91	88 NBR 156	49048001	○
6,47	1,60	88 NBR 156	49048002	○
6,47	1,91	88 NBR 156	49048003	○
6,47	2,01	88 NBR 156	49048004	○
6,47	3,96	88 NBR 156	49048005	○
6,48	2,80	70 EPDM 281	49052764	○
6,49	2,80	88 NBR 156	49048006	○
6,50	1,50	72 NBR 872	462312	●
6,50	1,50	88 NBR 156	49048007	○
6,50	1,55	80 FKM 610	49049600	○
6,50	1,60	70 EPDM 281	447139	●
6,50	1,60	72 NBR 872	49007106	●
6,50	1,60	80 FKM 610	49049601	○
6,50	1,60	88 NBR 156	49047469	○
6,50	2,00	70 EPDM 281	49047913	○
6,50	2,00	72 NBR 872	341357	●
6,50	2,00	80 FKM 610	49049602	○
6,50	3,00	70 EPDM 281	49047526	○
6,50	3,00	72 NBR 872	448868	●
6,50	3,00	80 FKM 610	49049603	○
6,58	1,50	88 NBR 156	49048008	○
6,60	1,01	70 EPDM 281	49052765	○
6,66	0,84	88 NBR 156	49048009	○
6,66	1,52	72 NBR 872	49051173	○
6,69	1,78	88 NBR 156	49048010	○
6,75	1,78	70 EPDM 281	447222	●
6,75	1,78	72 NBR 872	446181	●
6,75	1,78	80 FKM 610	49049604	○
6,75	1,78	88 NBR 156	49047330	○
6,76	2,01	88 NBR 156	49048011	○
6,78	1,78	72 NBR 872	49051174	○
6,78	1,78	88 NBR 156	49048012	○
6,82	2,01	88 NBR 156	49048013	○
6,85	1,50	72 NBR 872	49051175	○
6,85	1,50	88 NBR 156	49048014	○
6,86	1,78	70 EPDM 281	49052766	○
6,86	1,78	72 NBR 872	49051176	○
6,86	1,78	80 FKM 610	49049605	○
6,88	2,00	70 EPDM 281	49052767	○
6,89	2,01	88 NBR 156	49048015	○

● Available from stock

○ On request: Tool is available, delivery at short notice



d ₁	d ₂	Material	Article No.	
6,93	1,83	88 NBR 156	49048016	○
6,93	2,62	70 EPDM 281	49052768	○
6,94	2,62	88 NBR 156	49048017	○
6,96	1,50	70 EPDM 281	49052769	○
6,96	2,50	88 NBR 156	49048018	○
6,96	2,98	88 NBR 156	49048019	○
6,97	2,00	88 NBR 156	49048020	○
6,98	2,50	70 EPDM 281	49052770	○
6,99	1,50	72 NBR 872	49051177	○
6,99	1,50	88 NBR 156	49048021	○
6,99	3,00	72 NBR 872	49051178	○
6,99	3,00	88 NBR 156	49048022	○
7,00	1,00	70 EPDM 281	49047588	○
7,00	1,00	72 NBR 872	49047865	○
7,00	1,00	80 FKM 610	49049606	○
7,00	1,50	70 EPDM 281	14452993	●
7,00	1,50	72 NBR 872	49004064	●
7,00	1,50	80 FKM 610	449388	●
7,00	1,50	88 NBR 156	60069	●
7,00	1,78	72 NBR 872	49051179	○
7,00	1,78	88 NBR 156	49048023	○
7,00	1,80	72 NBR 872	14451871	●
7,00	1,80	80 FKM 610	49049607	○
7,00	2,00	70 EPDM 281	49047459	○
7,00	2,00	72 NBR 872	445802	●
7,00	2,00	80 FKM 610	449389	●
7,00	2,00	88 NBR 156	49047346	○
7,00	2,20	80 FKM 610	49049608	○
7,00	2,50	70 EPDM 281	49047543	○
7,00	2,50	72 NBR 872	447580	●
7,00	2,50	80 FKM 610	49049609	○
7,00	2,62	70 EPDM 281	447703	●
7,00	2,62	72 NBR 872	49051180	○
7,00	2,62	80 FKM 610	49049610	○
7,00	3,00	72 NBR 872	445706	●
7,00	3,00	80 FKM 610	449390	●
7,01	2,51	88 NBR 156	49048024	○
7,04	2,01	72 NBR 872	49051181	○
7,05	1,50	70 EPDM 281	49052771	○
7,05	1,50	72 NBR 872	49051182	○
7,05	1,60	88 NBR 156	49048025	○
7,07	1,00	70 EPDM 281	49052772	○
7,10	1,08	80 FKM 610	49049611	○
7,10	1,60	70 EPDM 281	447032	●
7,10	1,60	72 NBR 872	49047593	○
7,10	1,60	80 FKM 610	49049612	○
7,20	1,90	72 NBR 872	14451872	●
7,20	1,90	80 FKM 610	49049613	○
7,23	1,91	88 NBR 156	49048026	○
7,23	2,42	88 NBR 156	49048027	○
7,25	2,40	88 NBR 156	49048028	○

d ₁	d ₂	Material	Article No.	
7,30	2,40	70 EPDM 281	327298	●
7,30	2,40	72 NBR 872	14453173	●
7,30	2,40	80 FKM 610	449391	●
7,30	2,40	88 NBR 156	60070	●
7,32	2,40	88 NBR 156	49048029	○
7,36	1,09	88 NBR 156	49048030	○
7,37	1,09	80 FKM 610	49049614	○
7,40	1,50	80 FKM 610	49049615	○
7,44	1,78	72 NBR 872	49051183	○
7,45	1,78	70 EPDM 281	49052773	○
7,45	2,01	88 NBR 156	49048031	○
7,45	2,50	88 NBR 156	49048032	○
7,47	1,78	88 NBR 156	49048033	○
7,48	3,70	70 EPDM 281	49052774	○
7,49	2,49	70 EPDM 281	49052775	○
7,50	1,00	80 FKM 610	49049616	○
7,50	1,50	70 EPDM 281	49047597	○
7,50	1,50	72 NBR 872	49007109	●
7,50	1,50	80 FKM 610	449392	●
7,50	1,78	70 EPDM 281	49052776	○
7,50	1,78	72 NBR 872	49051184	○
7,50	1,78	80 FKM 610	49049617	○
7,50	2,00	70 EPDM 281	14452994	●
7,50	2,00	72 NBR 872	448510	●
7,50	2,00	80 FKM 610	449393	●
7,50	2,50	72 NBR 872	449030	●
7,50	2,50	80 FKM 610	49049618	○
7,50	2,60	80 FKM 610	49049619	○
7,50	3,00	80 FKM 610	49049620	○
7,50	4,48	72 NBR 872	49051185	○
7,50	4,50	72 NBR 872	49047745	○
7,51	2,50	88 NBR 156	49048034	○
7,51	3,51	70 EPDM 281	49052777	○
7,52	3,53	70 EPDM 281	49052778	○
7,52	3,53	72 NBR 872	49051186	○
7,52	3,53	80 FKM 610	49049621	○
7,53	3,82	70 EPDM 281	49052779	○
7,53	3,92	70 EPDM 281	49052780	○
7,55	1,51	72 NBR 872	49051187	○
7,57	2,49	70 EPDM 281	49052781	○
7,57	2,49	72 NBR 872	49051188	○
7,58	3,63	88 NBR 156	49048035	○
7,59	2,62	70 EPDM 281	49052782	○
7,59	2,62	72 NBR 872	49051189	○
7,59	2,62	80 FKM 610	49049622	○
7,60	2,30	80 FKM 610	49049623	○
7,60	2,40	70 EPDM 281	49047734	○
7,60	2,65	80 FKM 610	49049624	○
7,61	2,62	70 EPDM 281	49052783	○

● Available from stock

○ On request: Tool is available, delivery at short notice



d ₁	d ₂	Material	Article No.	
7,62	1,64	88 NBR 156	49048036	○
7,62	2,62	88 NBR 156	49048037	○
7,64	1,78	72 NBR 872	49051190	○
7,64	1,78	88 NBR 156	49048038	○
7,64	2,65	70 EPDM 281	49052784	○
7,64	3,53	72 NBR 872	49051191	○
7,64	3,53	88 NBR 156	49048039	○
7,65	1,63	70 EPDM 281	49047926	○
7,65	1,63	80 FKM 610	49049625	○
7,65	1,63	88 NBR 156	49047938	○
7,65	1,78	70 EPDM 281	447291	●
7,65	1,78	72 NBR 872	447129	●
7,65	1,78	80 FKM 610	449394	●
7,65	1,78	88 NBR 156	49047286	○
7,65	2,65	88 NBR 156	49048040	○
7,66	1,78	88 NBR 156	49048041	○
7,68	1,40	70 EPDM 281	49052785	○
7,68	2,02	88 NBR 156	49048042	○
7,70	1,40	88 NBR 156	49048043	○
7,70	1,60	88 NBR 156	49048044	○
7,70	1,80	80 FKM 610	49049626	○
7,70	1,99	72 NBR 872	49051192	○
7,70	2,00	80 FKM 610	49049627	○
7,74	2,00	72 NBR 872	49051193	○
7,76	1,78	88 NBR 156	49048045	○
7,77	1,85	88 NBR 156	49048046	○
7,78	3,66	88 NBR 156	49048047	○
7,78	4,60	88 NBR 156	49048048	○
7,79	3,59	72 NBR 872	49051194	○
7,80	3,00	72 NBR 872	49051195	○
7,82	3,59	88 NBR 156	49048049	○
7,83	3,00	88 NBR 156	49048050	○
7,83	3,22	88 NBR 156	49048051	○
7,90	2,62	70 EPDM 281	447704	●
7,90	2,62	72 NBR 872	49051196	○
7,90	2,62	80 FKM 610	49049628	○
7,92	1,78	72 NBR 872	49051197	○
7,93	2,40	88 NBR 156	49048052	○
7,93	2,98	88 NBR 156	49048053	○
7,93	3,96	88 NBR 156	49048054	○
7,94	1,78	70 EPDM 281	14452995	●
7,94	1,78	72 NBR 872	49046090	●
7,94	1,78	72 NBR 872	49051198	○
7,94	1,78	88 NBR 156	49048055	○
7,95	1,60	88 NBR 156	49048056	○
7,95	1,78	88 NBR 156	49048057	○
7,97	1,50	88 NBR 156	49048058	○
7,97	1,90	88 NBR 156	49048059	○
7,97	2,51	88 NBR 156	49048060	○
7,98	2,49	70 EPDM 281	49052786	○
8,00	1,00	70 EPDM 281	327302	●

d ₁	d ₂	Material	Article No.	
8,00	1,00	72 NBR 872	448240	●
8,00	1,00	80 FKM 610	49049629	○
8,00	1,10	80 FKM 610	49049630	○
8,00	1,26	88 NBR 156	49048061	○
8,00	1,50	70 EPDM 281	14452996	●
8,00	1,50	72 NBR 872	49007002	●
8,00	1,50	80 FKM 610	49049631	○
8,00	1,60	70 EPDM 281	49047479	○
8,00	1,60	72 NBR 872	49003395	●
8,00	1,60	80 FKM 610	49049632	○
8,00	1,60	88 NBR 156	49047413	○
8,00	1,80	80 FKM 610	49049633	○
8,00	1,90	72 NBR 872	14451873	●
8,00	1,90	80 FKM 610	49049634	○
8,00	2,00	70 EPDM 281	447434	●
8,00	2,00	72 NBR 872	49007098	●
8,00	2,00	80 FKM 610	449395	●
8,00	2,00	88 NBR 156	60072	●
8,00	2,01	88 NBR 156	49048062	○
8,00	2,20	72 NBR 872	14451874	●
8,00	2,20	80 FKM 610	49049635	○
8,00	2,40	72 NBR 872	447581	●
8,00	2,40	80 FKM 610	49049636	○
8,00	2,50	70 EPDM 281	448985	●
8,00	2,50	72 NBR 872	49004035	●
8,00	2,50	80 FKM 610	449396	●
8,00	3,00	70 EPDM 281	49047544	○
8,00	3,00	72 NBR 872	444496	●
8,00	3,00	80 FKM 610	49049637	○
8,00	3,50	72 NBR 872	447705	●
8,00	3,50	80 FKM 610	49049638	○
8,00	4,00	72 NBR 872	447706	●
8,00	4,00	80 FKM 610	49049639	○
8,02	2,48	88 NBR 156	49048063	○
8,03	2,01	88 NBR 156	49048064	○
8,03	2,50	88 NBR 156	49048065	○
8,04	2,62	88 NBR 156	49048066	○
8,09	1,99	72 NBR 872	49051199	○
8,10	1,60	80 FKM 610	49049640	○
8,12	1,78	72 NBR 872	49051200	○
8,13	1,78	70 EPDM 281	447582	●
8,13	1,78	80 FKM 610	49049641	○
8,15	1,78	88 NBR 156	49048067	○
8,17	1,85	88 NBR 156	49048068	○
8,21	3,49	72 NBR 872	49051201	○
8,28	2,09	72 NBR 872	49051202	○
8,29	2,40	72 NBR 872	49051203	○
8,29	2,40	88 NBR 156	49048069	○
8,30	2,20	80 FKM 610	49049642	○

● Available from stock

○ On request: Tool is available, delivery at short notice



d ₁	d ₂	Material	Article No.	
8,30	2,40	70 EPDM 281	447067	●
8,30	2,40	72 NBR 872	446494	●
8,30	2,40	80 FKM 610	49047637	○
8,30	2,40	88 NBR 156	60073	●
8,32	2,40	88 NBR 156	49048070	○
8,35	1,60	80 FKM 610	49049643	○
8,42	1,50	70 EPDM 281	49052787	○
8,42	2,01	88 NBR 156	49048071	○
8,42	2,50	88 NBR 156	49048072	○
8,44	1,50	88 NBR 156	49048073	○
8,48	3,00	70 EPDM 281	49052788	○
8,49	2,40	72 NBR 872	49051204	○
8,50	1,00	72 NBR 872	14451875	●
8,50	1,00	80 FKM 610	49049644	○
8,50	1,40	80 FKM 610	49049645	○
8,50	1,50	70 EPDM 281	14452997	●
8,50	1,50	72 NBR 872	49007004	●
8,50	1,50	80 FKM 610	449399	●
8,50	1,50	88 NBR 156	49048074	○
8,50	1,80	72 NBR 872	14451876	●
8,50	1,80	80 FKM 610	49049646	○
8,50	1,90	72 NBR 872	49023899	●
8,50	1,90	80 FKM 610	49049647	○
8,50	2,00	70 EPDM 281	49047514	○
8,50	2,00	72 NBR 872	49047508	○
8,50	2,00	80 FKM 610	49049648	○
8,50	2,50	72 NBR 872	447435	●
8,50	2,50	80 FKM 610	49049649	○
8,50	2,50	88 NBR 156	49047961	○
8,50	3,50	80 FKM 610	49049650	○
8,52	2,40	88 NBR 156	49048075	○
8,55	2,10	80 FKM 610	49049651	○
8,58	1,51	72 NBR 872	49051205	○
8,64	1,78	88 NBR 156	49048076	○
8,67	2,62	72 NBR 872	49051206	○
8,69	2,62	70 EPDM 281	49052789	○
8,70	1,50	80 FKM 610	49049652	○
8,70	2,62	70 EPDM 281	447707	●
8,70	2,62	72 NBR 872	49051207	○
8,70	2,62	80 FKM 610	49049653	○
8,70	2,62	88 NBR 156	49048077	○
8,73	1,78	70 EPDM 281	448454	●
8,73	1,78	72 NBR 872	444789	●
8,73	1,78	80 FKM 610	49049654	○
8,73	1,78	88 NBR 156	63379	●
8,83	2,20	72 NBR 872	49051208	○
8,85	1,92	88 NBR 156	49048078	○
8,90	1,60	80 FKM 610	49049655	○
8,90	1,78	72 NBR 872	49047754	○
8,90	1,90	72 NBR 872	14451879	●
8,90	1,90	80 FKM 610	49049656	○

d ₁	d ₂	Material	Article No.	
8,90	2,70	80 FKM 610	49049657	○
8,92	1,83	88 NBR 156	49046420	●
8,93	1,21	88 NBR 156	49048079	○
8,93	1,31	88 NBR 156	49048080	○
8,95	4,50	88 NBR 156	49048081	○
8,98	1,48	72 NBR 872	49051209	○
8,98	1,50	88 NBR 156	49048082	○
8,99	0,80	70 EPDM 281	49052790	○
8,99	1,50	72 NBR 872	49051210	○
8,99	2,00	70 EPDM 281	49052791	○
8,99	2,51	88 NBR 156	49048083	○
8,99	3,00	88 NBR 156	49048084	○
9,00	1,00	70 EPDM 281	49047416	○
9,00	1,00	72 NBR 872	444103	●
9,00	1,00	80 FKM 610	49049658	○
9,00	1,00	88 NBR 156	407777	●
9,00	1,50	70 EPDM 281	14452998	●
9,00	1,50	72 NBR 872	49004072	●
9,00	1,50	80 FKM 610	449400	●
9,00	1,50	88 NBR 156	49047425	○
9,00	1,65	80 FKM 610	49049659	○
9,00	1,80	72 NBR 872	14452235	●
9,00	1,80	80 FKM 610	49049660	○
9,00	2,00	70 EPDM 281	49047604	○
9,00	2,00	72 NBR 872	49007086	●
9,00	2,00	80 FKM 610	14453166	●
9,00	2,00	88 NBR 156	49047287	○
9,00	2,20	80 FKM 610	49049661	○
9,00	2,49	72 NBR 872	49051211	○
9,00	2,50	70 EPDM 281	49047455	○
9,00	2,50	72 NBR 872	446049	●
9,00	2,50	80 FKM 610	449401	●
9,00	2,50	88 NBR 156	49047419	○
9,00	2,70	80 FKM 610	49049662	○
9,00	3,00	70 EPDM 281	327310	●
9,00	3,00	72 NBR 872	447460	●
9,00	3,00	80 FKM 610	449402	●
9,00	4,00	70 EPDM 281	327311	●
9,00	4,00	72 NBR 872	449031	●
9,00	4,00	80 FKM 610	49049663	○
9,00	4,50	72 NBR 872	446137	●
9,00	4,50	80 FKM 610	49049664	○
9,00	6,00	72 NBR 872	447708	●
9,00	6,00	80 FKM 610	49049665	○
9,01	0,80	88 NBR 156	49048085	○
9,01	2,01	88 NBR 156	49048086	○
9,01	2,51	88 NBR 156	49048087	○
9,02	0,82	70 EPDM 281	49052792	○
9,03	1,50	88 NBR 156	49048088	○

● Available from stock

○ On request: Tool is available, delivery at short notice



d ₁	d ₂	Material	Article No.	
9,06	1,80	72 NBR 872	49051212	○
9,07	1,50	70 EPDM 281	49052793	○
9,07	1,50	72 NBR 872	49051213	○
9,08	1,70	70 EPDM 281	49047892	○
9,09	1,60	72 NBR 872	49051214	○
9,09	1,60	88 NBR 156	49048089	○
9,10	1,60	70 EPDM 281	49047534	○
9,10	1,60	80 FKM 610	49049666	○
9,12	3,53	70 EPDM 281	49052794	○
9,12	3,53	72 NBR 872	14451880	●
9,12	3,53	80 FKM 610	49049667	○
9,13	2,62	70 EPDM 281	49052795	○
9,13	2,62	72 NBR 872	14451881	●
9,13	2,62	80 FKM 610	49049668	○
9,15	1,73	70 EPDM 281	49047904	○
9,15	2,62	72 NBR 872	49051215	○
9,16	2,62	70 EPDM 281	49052796	○
9,16	3,51	88 NBR 156	49048090	○
9,18	1,78	72 NBR 872	49051216	○
9,18	2,62	88 NBR 156	49048091	○
9,19	2,62	70 EPDM 281	447256	●
9,19	2,62	72 NBR 872	447583	●
9,19	2,62	80 FKM 610	449403	●
9,20	1,78	70 EPDM 281	49052797	○
9,20	3,50	72 NBR 872	446115	●
9,20	3,50	80 FKM 610	49049669	○
9,21	1,78	72 NBR 872	49051217	○
9,22	1,78	70 EPDM 281	49052798	○
9,22	1,78	88 NBR 156	49048092	○
9,23	1,78	72 NBR 872	49051218	○
9,25	1,78	70 EPDM 281	445895	●
9,25	1,78	72 NBR 872	444353	●
9,25	1,78	80 FKM 610	449404	●
9,25	1,78	88 NBR 156	60075	●
9,30	1,78	70 EPDM 281	49052799	○
9,30	1,78	72 NBR 872	49051219	○
9,30	1,99	72 NBR 872	49051220	○
9,30	2,00	80 FKM 610	49049670	○
9,30	2,20	88 NBR 156	49046421	●
9,30	2,40	70 EPDM 281	447068	●
9,30	2,40	72 NBR 872	446708	●
9,30	2,40	80 FKM 610	449405	●
9,30	2,40	88 NBR 156	60076	●
9,34	8,24	88 NBR 156	49048093	○
9,35	1,78	72 NBR 872	49051221	○
9,35	1,78	88 NBR 156	49048094	○
9,40	2,10	80 FKM 610	49049671	○
9,44	3,00	88 NBR 156	49048095	○
9,46	1,78	72 NBR 872	49051222	○
9,46	1,78	88 NBR 156	49048096	○
9,48	1,60	72 NBR 872	49051223	○

d ₁	d ₂	Material	Article No.	
9,48	2,49	70 EPDM 281	49052800	○
9,48	2,49	72 NBR 872	49051224	○
9,49	1,60	72 NBR 872	49051225	○
9,50	0,67	70 EPDM 281	49047897	○
9,50	1,00	70 EPDM 281	49047555	○
9,50	1,00	72 NBR 872	49047793	○
9,50	1,00	80 FKM 610	49049672	○
9,50	1,50	70 EPDM 281	49047854	○
9,50	1,50	80 FKM 610	49049673	○
9,50	1,60	72 NBR 872	49004069	●
9,50	1,60	80 FKM 610	49049674	○
9,50	1,60	88 NBR 156	49047730	○
9,50	1,78	88 NBR 156	49048097	○
9,50	2,00	72 NBR 872	446478	●
9,50	2,00	80 FKM 610	49049675	○
9,50	2,40	72 NBR 872	398	●
9,50	2,40	88 NBR 156	49048098	○
9,50	2,80	70 EPDM 281	49047911	○
9,50	3,00	72 NBR 872	447185	●
9,50	3,00	80 FKM 610	49049676	○
9,51	1,60	88 NBR 156	49048099	○
9,52	2,51	70 EPDM 281	49052801	○
9,52	2,69	70 EPDM 281	49052802	○
9,52	2,69	72 NBR 872	49051226	○
9,53	1,78	70 EPDM 281	447194	●
9,53	1,78	72 NBR 872	49051227	○
9,53	1,78	80 FKM 610	49049677	○
9,53	2,49	70 EPDM 281	49052803	○
9,53	2,49	72 NBR 872	49051228	○
9,60	3,00	88 NBR 156	49047365	○
9,64	2,51	88 NBR 156	49048100	○
9,65	2,00	72 NBR 872	49051229	○
9,67	3,38	72 NBR 872	49051230	○
9,69	2,53	88 NBR 156	49048101	○
9,70	2,00	80 FKM 610	49049678	○
9,71	1,78	70 EPDM 281	49052804	○
9,73	1,78	72 NBR 872	49051231	○
9,75	1,78	70 EPDM 281	49052805	○
9,75	1,78	72 NBR 872	49051232	○
9,75	1,78	80 FKM 610	49049679	○
9,75	1,78	88 NBR 156	49048102	○
9,75	2,20	80 FKM 610	49049680	○
9,77	1,78	70 EPDM 281	49052806	○
9,77	2,62	88 NBR 156	49048103	○
9,78	1,91	88 NBR 156	49048104	○
9,78	2,45	80 FKM 610	49049681	○
9,79	1,50	70 EPDM 281	49052807	○
9,79	1,78	88 NBR 156	49048105	○
9,79	2,34	72 NBR 872	49051233	○

● Available from stock

○ On request: Tool is available, delivery at short notice



d ₁	d ₂	Material	Article No.	
9,80	0,85	70 EPDM 281	49047937	○
9,80	1,25	80 FKM 610	49049682	○
9,80	1,40	80 FKM 610	49049683	○
9,80	1,78	70 EPDM 281	49052808	○
9,80	1,78	72 NBR 872	49051234	○
9,92	2,62	70 EPDM 281	448509	●
9,92	2,62	72 NBR 872	49051235	○
9,92	2,62	80 FKM 610	49049684	○
9,94	2,01	88 NBR 156	49048106	○
9,94	2,20	88 NBR 156	49048107	○
9,94	2,50	88 NBR 156	49048108	○
9,96	1,31	88 NBR 156	49048109	○
9,96	3,00	88 NBR 156	49048110	○
9,96	6,52	88 NBR 156	49048111	○
9,98	1,30	70 EPDM 281	49052809	○
9,98	1,50	70 EPDM 281	49052810	○
9,98	2,01	88 NBR 156	49048112	○
9,98	2,20	88 NBR 156	49048113	○
9,98	2,50	88 NBR 156	49048114	○
9,98	3,00	70 EPDM 281	49052811	○
9,98	3,47	88 NBR 156	49048115	○
10,00	0,75	70 EPDM 281	49047936	○
10,00	0,80	70 EPDM 281	49047909	○
10,00	1,00	72 NBR 872	446156	●
10,00	1,00	80 FKM 610	49049685	○
10,00	1,20	80 FKM 610	49049686	○
10,00	1,30	72 NBR 872	447145	●
10,00	1,30	80 FKM 610	49049687	○
10,00	1,31	88 NBR 156	49048116	○
10,00	1,50	70 EPDM 281	49047849	○
10,00	1,50	72 NBR 872	49007088	●
10,00	1,50	80 FKM 610	14450594	●
10,00	1,50	88 NBR 156	407778	●
10,00	1,78	70 EPDM 281	49052812	○
10,00	1,78	72 NBR 872	49051236	○
10,00	1,78	80 FKM 610	49049688	○
10,00	1,78	88 NBR 156	49048117	○
10,00	2,00	70 EPDM 281	447095	●
10,00	2,00	72 NBR 872	49007126	●
10,00	2,00	80 FKM 610	449406	●
10,00	2,00	88 NBR 156	60077	●
10,00	2,03	88 NBR 156	49048118	○
10,00	2,10	80 FKM 610	49049689	○
10,00	2,20	70 EPDM 281	49047785	○
10,00	2,20	72 NBR 872	446733	●
10,00	2,20	80 FKM 610	49049690	○
10,00	2,20	88 NBR 156	60080	●
10,00	2,40	72 NBR 872	49007005	●
10,00	2,40	80 FKM 610	49049691	○
10,00	2,50	70 EPDM 281	447146	●
10,00	2,50	72 NBR 872	49007094	●

d ₁	d ₂	Material	Article No.	
10,00	2,50	80 FKM 610	449407	●
10,00	3,00	70 EPDM 281	446151	●
10,00	3,00	72 NBR 872	445619	●
10,00	3,00	80 FKM 610	449408	●
10,00	3,00	88 NBR 156	49048119	○
10,00	3,50	72 NBR 872	447264	●
10,00	3,50	80 FKM 610	49049692	○
10,00	4,00	70 EPDM 281	447584	●
10,00	4,00	72 NBR 872	445624	●
10,00	4,00	80 FKM 610	449409	●
10,00	5,00	80 FKM 610	49049693	○
10,00	6,50	72 NBR 872	49007105	●
10,00	6,50	80 FKM 610	49049694	○
10,01	2,06	88 NBR 156	49048120	○
10,03	1,78	70 EPDM 281	49052813	○
10,03	2,51	70 EPDM 281	49052814	○
10,03	2,51	72 NBR 872	49051237	○
10,04	3,49	72 NBR 872	49051238	○
10,04	4,00	88 NBR 156	49048121	○
10,05	0,60	70 EPDM 281	49047901	○
10,05	1,83	88 NBR 156	49048122	○
10,05	2,00	72 NBR 872	49051239	○
10,06	1,00	70 EPDM 281	49052815	○
10,06	1,00	72 NBR 872	49051240	○
10,06	1,60	88 NBR 156	49048123	○
10,06	2,51	88 NBR 156	49048124	○
10,10	1,51	72 NBR 872	49051241	○
10,10	1,60	70 EPDM 281	49047628	○
10,10	1,60	72 NBR 872	49047498	○
10,10	1,60	80 FKM 610	49049695	○
10,10	1,60	88 NBR 156	49048125	○
10,10	2,50	70 EPDM 281	49052816	○
10,10	2,50	72 NBR 872	49051242	○
10,20	1,50	80 FKM 610	49049696	○
10,27	2,40	88 NBR 156	49048126	○
10,30	1,00	80 FKM 610	49049697	○
10,30	2,40	70 EPDM 281	446397	●
10,30	2,40	72 NBR 872	445073	●
10,30	2,40	80 FKM 610	449410	●
10,30	2,40	88 NBR 156	60081	●
10,35	2,42	88 NBR 156	49048127	○
10,36	2,40	72 NBR 872	49051243	○
10,40	2,50	72 NBR 872	49047596	○
10,40	2,50	80 FKM 610	49049698	○
10,43	1,75	88 NBR 156	49048128	○
10,46	5,33	70 EPDM 281	49052817	○
10,46	5,33	72 NBR 872	14451882	●
10,46	5,33	80 FKM 610	49049699	○
10,47	1,50	70 EPDM 281	49052818	○

● Available from stock

○ On request: Tool is available, delivery at short notice



d ₁	d ₂	Material	Article No.	
10,47	2,69	88 NBR 156	49048129	○
10,48	1,83	88 NBR 156	49048130	○
10,49	1,50	88 NBR 156	49048131	○
10,50	1,50	70 EPDM 281	49047513	○
10,50	1,50	72 NBR 872	445637	●
10,50	1,50	80 FKM 610	14453167	●
10,50	1,80	72 NBR 872	14452237	●
10,50	1,80	80 FKM 610	49049700	○
10,50	2,00	80 FKM 610	49049701	○
10,50	2,70	72 NBR 872	14451883	●
10,50	2,70	80 FKM 610	49049702	○
10,50	4,50	72 NBR 872	447709	●
10,50	4,50	80 FKM 610	49049703	○
10,52	1,83	88 NBR 156	49046329	●
10,54	2,51	88 NBR 156	49048132	○
10,60	2,40	80 FKM 610	49049704	○
10,60	3,00	72 NBR 872	49051244	○
10,60	3,01	88 NBR 156	49048133	○
10,64	3,00	88 NBR 156	49048134	○
10,65	3,53	72 NBR 872	49051245	○
10,67	3,53	70 EPDM 281	49052819	○
10,68	1,78	88 NBR 156	49048135	○
10,69	3,53	70 EPDM 281	49052820	○
10,69	3,53	72 NBR 872	49051246	○
10,69	3,53	80 FKM 610	49049705	○
10,69	3,53	88 NBR 156	49048136	○
10,70	2,62	72 NBR 872	49051247	○
10,71	1,90	72 NBR 872	49051248	○
10,72	2,62	70 EPDM 281	49052821	○
10,74	2,62	88 NBR 156	49048137	○
10,77	1,78	70 EPDM 281	49052822	○
10,77	2,62	70 EPDM 281	445728	●
10,77	2,62	72 NBR 872	445543	●
10,77	2,62	80 FKM 610	449411	●
10,77	2,62	88 NBR 156	49047288	○
10,80	2,65	72 NBR 872	49047171	○
10,80	3,53	70 EPDM 281	49052823	○
10,80	3,53	72 NBR 872	49051249	○
10,80	3,53	80 FKM 610	49049706	○
10,81	1,78	72 NBR 872	49051250	○
10,82	1,78	70 EPDM 281	327271	●
10,82	1,78	72 NBR 872	49007082	●
10,82	1,78	80 FKM 610	14450863	●
10,82	1,78	88 NBR 156	49047353	○
10,87	1,82	88 NBR 156	49048138	○
10,91	2,01	88 NBR 156	49048139	○
10,95	1,50	88 NBR 156	49048140	○
10,96	2,01	88 NBR 156	49048141	○
10,96	2,50	88 NBR 156	49048142	○
10,97	1,31	88 NBR 156	49048143	○
10,97	1,78	88 NBR 156	49048144	○

d ₁	d ₂	Material	Article No.	
10,97	2,01	88 NBR 156	49048145	○
10,97	5,50	88 NBR 156	49048146	○
10,99	3,00	72 NBR 872	49051251	○
11,00	0,80	72 NBR 872	49051252	○
11,00	1,00	80 FKM 610	49049707	○
11,00	1,30	70 EPDM 281	49047600	○
11,00	1,30	72 NBR 872	446611	●
11,00	1,30	80 FKM 610	49049708	○
11,00	1,50	70 EPDM 281	49047437	○
11,00	1,50	72 NBR 872	49007083	●
11,00	1,50	80 FKM 610	14450595	●
11,00	1,60	80 FKM 610	49049709	○
11,00	1,80	72 NBR 872	14451884	●
11,00	1,80	80 FKM 610	49049710	○
11,00	2,00	70 EPDM 281	49047409	○
11,00	2,00	72 NBR 872	49004070	●
11,00	2,00	80 FKM 610	449412	●
11,00	2,00	88 NBR 156	49047434	○
11,00	2,50	70 EPDM 281	49047565	○
11,00	2,50	72 NBR 872	444791	●
11,00	2,50	80 FKM 610	449413	●
11,00	2,50	88 NBR 156	49047289	○
11,00	3,00	70 EPDM 281	49047644	○
11,00	3,00	72 NBR 872	49007114	●
11,00	3,00	80 FKM 610	49049711	○
11,00	3,00	88 NBR 156	49047451	○
11,00	3,40	72 NBR 872	49047529	○
11,00	3,40	80 FKM 610	49049712	○
11,00	3,50	80 FKM 610	49049713	○
11,00	4,00	72 NBR 872	448878	●
11,00	4,00	80 FKM 610	449414	●
11,00	5,01	70 EPDM 281	49052824	○
11,00	5,50	70 EPDM 281	447712	●
11,00	5,50	80 FKM 610	49049714	○
11,03	3,00	88 NBR 156	49048147	○
11,04	0,80	88 NBR 156	49048148	○
11,05	1,23	88 NBR 156	49048149	○
11,05	2,30	88 NBR 156	49048150	○
11,06	1,78	70 EPDM 281	49052825	○
11,09	1,78	72 NBR 872	49051253	○
11,09	1,78	88 NBR 156	49048151	○
11,09	2,51	70 EPDM 281	49052826	○
11,09	2,51	72 NBR 872	49051254	○
11,10	1,60	80 FKM 610	49049715	○
11,11	1,00	70 EPDM 281	49052827	○
11,11	1,78	70 EPDM 281	447292	●
11,11	1,78	72 NBR 872	49007006	●
11,11	1,78	80 FKM 610	449415	●
11,15	1,78	70 EPDM 281	49052828	○

● Available from stock

○ On request: Tool is available, delivery at short notice



d ₁	d ₂	Material	Article No.	
11,15	1,78	72 NBR 872	49051255	○
11,17	1,78	88 NBR 156	49048152	○
11,19	2,05	70 EPDM 281	49052829	○
11,19	2,05	72 NBR 872	49051256	○
11,20	1,70	80 FKM 610	49049716	○
11,20	1,78	72 NBR 872	49051257	○
11,20	1,80	80 FKM 610	49049717	○
11,23	1,78	70 EPDM 281	49052830	○
11,25	1,78	88 NBR 156	49048153	○
11,25	2,01	88 NBR 156	49048154	○
11,26	1,50	88 NBR 156	49048155	○
11,30	2,00	72 NBR 872	49047684	○
11,30	2,20	88 NBR 156	49046330	●
11,30	2,40	70 EPDM 281	14452999	●
11,30	2,40	72 NBR 872	446571	●
11,30	2,40	80 FKM 610	49049718	○
11,30	2,40	88 NBR 156	60084	●
11,30	2,50	80 FKM 610	49049719	○
11,35	2,51	88 NBR 156	49048156	○
11,40	3,50	70 EPDM 281	49047482	○
11,40	3,50	80 FKM 610	49049720	○
11,41	2,22	72 NBR 872	49051258	○
11,42	1,50	88 NBR 156	49048157	○
11,44	1,50	70 EPDM 281	49052831	○
11,46	1,50	88 NBR 156	49048158	○
11,48	3,00	72 NBR 872	49051259	○
11,50	1,00	72 NBR 872	14451885	●
11,50	1,00	80 FKM 610	49049721	○
11,50	1,50	70 EPDM 281	49047657	○
11,50	1,50	72 NBR 872	49004061	●
11,50	1,50	80 FKM 610	14453168	●
11,50	1,51	72 NBR 872	49051260	○
11,50	1,78	70 EPDM 281	49052832	○
11,50	1,78	72 NBR 872	49051261	○
11,50	1,78	80 FKM 610	49049722	○
11,50	2,50	70 EPDM 281	49047686	○
11,50	2,50	72 NBR 872	14451886	●
11,50	2,50	80 FKM 610	49049723	○
11,50	3,00	72 NBR 872	447713	●
11,50	3,00	80 FKM 610	49049724	○
11,51	2,12	72 NBR 872	49051262	○
11,52	1,50	70 EPDM 281	49052833	○
11,52	2,30	72 NBR 872	49051263	○
11,52	3,00	88 NBR 156	49048159	○
11,68	1,78	70 EPDM 281	49052834	○
11,68	1,78	72 NBR 872	49051264	○
11,70	3,00	72 NBR 872	49051265	○
11,73	1,78	70 EPDM 281	49052835	○
11,73	1,78	72 NBR 872	49051266	○
11,74	3,00	88 NBR 156	49048160	○
11,79	2,40	72 NBR 872	49051267	○

d ₁	d ₂	Material	Article No.	
11,79	2,40	88 NBR 156	49048161	○
11,80	1,30	80 FKM 610	49049725	○
11,83	2,40	72 NBR 872	49051268	○
11,89	1,98	70 EPDM 281	49047755	○
11,89	4,97	88 NBR 156	49048162	○
11,90	1,99	72 NBR 872	49051269	○
11,91	2,62	70 EPDM 281	49047536	○
11,91	2,62	72 NBR 872	49051270	○
11,91	2,62	80 FKM 610	49049726	○
11,93	1,50	70 EPDM 281	49052836	○
11,95	1,00	80 FKM 610	49049727	○
11,95	1,50	88 NBR 156	49048163	○
11,97	1,90	70 EPDM 281	49052837	○
11,98	2,50	72 NBR 872	49051271	○
11,98	3,00	70 EPDM 281	49052838	○
11,98	3,00	72 NBR 872	49051272	○
11,98	3,00	88 NBR 156	49048164	○
12,00	0,80	72 NBR 872	49051273	○
12,00	1,00	70 EPDM 281	14450882	●
12,00	1,00	72 NBR 872	151208	●
12,00	1,00	80 FKM 610	49049728	○
12,00	1,50	70 EPDM 281	49047599	○
12,00	1,50	72 NBR 872	49007102	●
12,00	1,50	80 FKM 610	449416	●
12,00	1,50	88 NBR 156	49047683	○
12,00	1,70	72 NBR 872	446060	●
12,00	1,70	80 FKM 610	49049729	○
12,00	1,80	72 NBR 872	49047841	○
12,00	1,80	80 FKM 610	49049730	○
12,00	1,91	88 NBR 156	49048165	○
12,00	1,99	72 NBR 872	49051274	○
12,00	2,00	70 EPDM 281	448455	●
12,00	2,00	72 NBR 872	445516	●
12,00	2,00	80 FKM 610	449417	●
12,00	2,00	88 NBR 156	49046331	●
12,00	2,49	70 EPDM 281	49052839	○
12,00	2,49	72 NBR 872	49051275	○
12,00	2,50	70 EPDM 281	446895	●
12,00	2,50	72 NBR 872	444624	●
12,00	2,50	80 FKM 610	49049731	○
12,00	2,50	88 NBR 156	60086	●
12,00	3,00	70 EPDM 281	447221	●
12,00	3,00	72 NBR 872	446572	●
12,00	3,00	80 FKM 610	449418	●
12,00	3,00	88 NBR 156	49047460	○
12,00	3,50	72 NBR 872	49047497	○
12,00	3,50	80 FKM 610	49049732	○
12,00	4,00	72 NBR 872	49007121	●
12,00	4,00	72 NBR 872	49051276	○

● Available from stock

○ On request: Tool is available, delivery at short notice



d ₁	d ₂	Material	Article No.	
12,00	4,00	80 FKM 610	49049733	○
12,00	4,50	80 FKM 610	49049734	○
12,00	5,50	72 NBR 872	624	●
12,00	5,50	80 FKM 610	49049735	○
12,01	1,08	80 FKM 610	49049736	○
12,03	2,01	88 NBR 156	49048166	○
12,03	2,50	88 NBR 156	49048167	○
12,03	3,27	88 NBR 156	49048168	○
12,05	0,80	88 NBR 156	49048169	○
12,05	4,50	72 NBR 872	49051277	○
12,07	5,33	70 EPDM 281	49052840	○
12,07	5,33	72 NBR 872	49051278	○
12,07	5,33	80 FKM 610	49049737	○
12,09	1,50	70 EPDM 281	49052841	○
12,09	1,50	72 NBR 872	49051279	○
12,10	1,50	80 FKM 610	49049738	○
12,10	1,60	72 NBR 872	14452240	●
12,10	1,60	80 FKM 610	49049739	○
12,10	2,70	70 EPDM 281	49047545	○
12,10	2,70	80 FKM 610	49049740	○
12,12	1,52	72 NBR 872	49051280	○
12,12	1,78	70 EPDM 281	49052842	○
12,12	1,78	72 NBR 872	49051281	○
12,13	5,36	70 EPDM 281	49052843	○
12,19	2,71	88 NBR 156	49048170	○
12,19	3,53	70 EPDM 281	49052844	○
12,20	1,65	70 EPDM 281	49047918	○
12,23	3,53	70 EPDM 281	49052845	○
12,23	3,53	72 NBR 872	49051282	○
12,23	3,53	88 NBR 156	49048171	○
12,27	2,40	70 EPDM 281	49052846	○
12,27	2,40	88 NBR 156	49048172	○
12,27	2,50	88 NBR 156	49048173	○
12,28	2,40	72 NBR 872	49051283	○
12,28	2,40	88 NBR 156	49048174	○
12,28	3,55	88 NBR 156	49048175	○
12,29	3,53	70 EPDM 281	49047449	○
12,29	3,53	72 NBR 872	49023898	●
12,29	3,53	80 FKM 610	49049741	○
12,30	1,00	80 FKM 610	49049742	○
12,30	2,40	70 EPDM 281	49047629	○
12,30	2,40	72 NBR 872	444910	●
12,30	2,40	80 FKM 610	449419	●
12,30	2,40	88 NBR 156	60087	●
12,31	1,50	88 NBR 156	49048176	○
12,32	2,40	88 NBR 156	49048177	○
12,33	2,62	72 NBR 872	49051284	○
12,34	1,78	70 EPDM 281	49052847	○
12,35	2,62	70 EPDM 281	49052848	○
12,36	1,78	70 EPDM 281	49052849	○
12,36	1,78	72 NBR 872	49051285	○

d ₁	d ₂	Material	Article No.	
12,37	2,62	70 EPDM 281	446177	●
12,37	2,62	72 NBR 872	449010	●
12,37	2,62	80 FKM 610	449420	●
12,38	1,78	70 EPDM 281	49052850	○
12,38	2,53	88 NBR 156	49048178	○
12,38	2,62	88 NBR 156	49048179	○
12,39	1,78	72 NBR 872	49051286	○
12,40	1,60	80 FKM 610	49049743	○
12,41	1,78	70 EPDM 281	49052851	○
12,41	1,78	72 NBR 872	49051287	○
12,42	1,78	70 EPDM 281	447203	●
12,42	1,78	72 NBR 872	49004039	●
12,42	1,78	80 FKM 610	449421	●
12,42	1,78	88 NBR 156	49047919	○
12,44	1,78	88 NBR 156	49048180	○
12,47	2,50	88 NBR 156	49048181	○
12,48	1,50	72 NBR 872	49051288	○
12,48	1,50	88 NBR 156	49048182	○
12,50	1,00	80 FKM 610	49049744	○
12,50	1,50	72 NBR 872	14451889	●
12,50	1,50	80 FKM 610	49049745	○
12,50	1,78	70 EPDM 281	49052852	○
12,50	1,78	72 NBR 872	49046630	○
12,50	1,78	72 NBR 872	49051289	○
12,50	1,80	80 FKM 610	49049746	○
12,50	2,00	72 NBR 872	49047532	○
12,50	2,00	80 FKM 610	49049747	○
12,50	2,50	72 NBR 872	444773	●
12,50	2,50	80 FKM 610	49049748	○
12,50	2,65	72 NBR 872	49051290	○
12,50	3,02	88 NBR 156	49048183	○
12,54	1,82	72 NBR 872	49051291	○
12,55	2,01	88 NBR 156	49048184	○
12,56	2,10	72 NBR 872	49051292	○
12,60	2,40	80 FKM 610	49049749	○
12,62	1,82	72 NBR 872	49051293	○
12,70	1,00	80 FKM 610	49049750	○
12,70	1,80	72 NBR 872	49047772	○
12,70	1,80	80 FKM 610	49049751	○
12,76	1,81	88 NBR 156	49048185	○
12,80	3,20	72 NBR 872	446079	●
12,80	3,20	80 FKM 610	49049752	○
12,86	2,62	88 NBR 156	49048186	○
12,87	2,40	72 NBR 872	49051294	○
12,87	3,22	88 NBR 156	49048187	○
12,90	1,00	80 FKM 610	49049753	○
12,91	3,51	88 NBR 156	49048188	○
12,92	1,78	70 EPDM 281	49052853	○
12,92	1,78	72 NBR 872	49051295	○

● Available from stock

○ On request: Tool is available, delivery at short notice



d ₁	d ₂	Material	Article No.	
12,92	1,78	80 FKM 610	49049754	○
12,92	5,01	88 NBR 156	49048189	○
12,95	2,46	72 NBR 872	49051296	○
12,97	2,00	88 NBR 156	49048190	○
12,97	2,49	70 EPDM 281	49052854	○
12,98	1,90	70 EPDM 281	49052855	○
12,98	2,49	70 EPDM 281	49052856	○
12,98	2,62	88 NBR 156	49048191	○
12,98	6,00	70 EPDM 281	49052857	○
13,00	1,00	70 EPDM 281	49047433	○
13,00	1,00	72 NBR 872	444361	●
13,00	1,00	80 FKM 610	49049755	○
13,00	1,50	70 EPDM 281	49047714	○
13,00	1,50	72 NBR 872	49007129	●
13,00	1,50	80 FKM 610	49049756	○
13,00	1,65	70 EPDM 281	49047778	○
13,00	1,65	80 FKM 610	49049757	○
13,00	1,70	72 NBR 872	49047621	○
13,00	1,70	80 FKM 610	49049758	○
13,00	1,80	80 FKM 610	49049759	○
13,00	1,90	70 EPDM 281	49047488	○
13,00	1,90	72 NBR 872	49047773	○
13,00	1,90	80 FKM 610	49049760	○
13,00	1,99	72 NBR 872	49051297	○
13,00	2,00	70 EPDM 281	533313	●
13,00	2,00	72 NBR 872	49004036	●
13,00	2,00	80 FKM 610	449422	●
13,00	2,00	88 NBR 156	49047456	○
13,00	2,50	70 EPDM 281	49047810	○
13,00	2,50	72 NBR 872	444513	●
13,00	2,50	80 FKM 610	449423	●
13,00	2,50	88 NBR 156	49047290	○
13,00	3,00	70 EPDM 281	447340	●
13,00	3,00	72 NBR 872	447585	●
13,00	3,00	80 FKM 610	49049761	○
13,00	3,47	88 NBR 156	49048192	○
13,00	3,50	72 NBR 872	446157	●
13,00	3,50	80 FKM 610	49049762	○
13,00	4,00	70 EPDM 281	49047790	○
13,00	4,00	80 FKM 610	49049763	○
13,00	4,50	80 FKM 610	49049764	○
13,00	5,00	72 NBR 872	445904	●
13,00	5,00	80 FKM 610	49049765	○
13,00	6,00	72 NBR 872	447715	●
13,00	6,00	80 FKM 610	49049766	○
13,00	6,00	88 NBR 156	49048193	○
13,02	1,50	88 NBR 156	49048194	○
13,06	5,46	88 NBR 156	49048195	○
13,10	1,60	80 FKM 610	49049767	○
13,10	2,62	70 EPDM 281	447586	●
13,10	2,62	80 FKM 610	49049768	○

d ₁	d ₂	Material	Article No.	
13,10	2,62	88 NBR 156	49047370	○
13,11	2,62	72 NBR 872	49047501	○
13,12	1,60	88 NBR 156	49048196	○
13,13	1,50	70 EPDM 281	49052858	○
13,13	2,01	72 NBR 872	49051298	○
13,17	2,62	70 EPDM 281	49052859	○
13,17	2,62	72 NBR 872	49051299	○
13,20	1,00	80 FKM 610	49049769	○
13,20	2,50	80 FKM 610	49049770	○
13,23	1,78	70 EPDM 281	49047837	○
13,23	1,78	72 NBR 872	49051300	○
13,23	1,78	80 FKM 610	49049771	○
13,24	2,40	88 NBR 156	49048197	○
13,28	2,40	72 NBR 872	49051301	○
13,29	2,40	88 NBR 156	49048198	○
13,30	1,40	72 NBR 872	49047953	○
13,30	2,40	70 EPDM 281	49047535	○
13,30	2,40	72 NBR 872	446581	●
13,30	2,40	80 FKM 610	449424	●
13,30	2,40	88 NBR 156	60089	●
13,38	1,78	72 NBR 872	49051302	○
13,40	1,27	80 FKM 610	49049772	○
13,40	1,78	70 EPDM 281	49052860	○
13,40	2,10	88 NBR 156	49046432	●
13,43	1,78	88 NBR 156	49048199	○
13,44	2,10	70 EPDM 281	49047947	○
13,44	2,10	80 FKM 610	49049773	○
13,44	2,50	88 NBR 156	49048200	○
13,47	2,51	88 NBR 156	49048201	○
13,49	2,69	88 NBR 156	49048202	○
13,50	2,50	72 NBR 872	448525	●
13,50	2,50	80 FKM 610	49049774	○
13,53	1,50	70 EPDM 281	49052861	○
13,53	1,50	72 NBR 872	49051303	○
13,57	1,50	70 EPDM 281	49052862	○
13,57	3,00	88 NBR 156	49048203	○
13,60	2,51	70 EPDM 281	49052863	○
13,60	2,51	72 NBR 872	49051304	○
13,60	2,70	80 FKM 610	49049775	○
13,60	3,00	72 NBR 872	49047602	○
13,60	3,00	80 FKM 610	49049776	○
13,60	3,53	70 EPDM 281	49052864	○
13,60	3,53	72 NBR 872	49051305	○
13,64	5,33	70 EPDM 281	49052865	○
13,64	5,33	72 NBR 872	49051306	○
13,64	5,33	80 FKM 610	49049777	○
13,65	3,51	88 NBR 156	49048204	○
13,70	3,50	70 EPDM 281	49047716	○
13,77	1,90	70 EPDM 281	49052866	○

● Available from stock

○ On request: Tool is available, delivery at short notice



d ₁	d ₂	Material	Article No.	
13,82	3,53	72 NBR 872	49051307	○
13,84	3,53	70 EPDM 281	49052867	○
13,85	2,62	70 EPDM 281	49052868	○
13,87	1,78	70 EPDM 281	49052869	○
13,87	2,50	88 NBR 156	49048205	○
13,87	3,53	70 EPDM 281	49047666	○
13,87	3,53	72 NBR 872	49051308	○
13,87	3,53	80 FKM 610	49049778	○
13,87	3,53	88 NBR 156	49048206	○
13,88	2,34	72 NBR 872	49051309	○
13,90	1,78	88 NBR 156	49048207	○
13,90	2,62	72 NBR 872	49051310	○
13,90	2,62	88 NBR 156	49048208	○
13,92	2,01	88 NBR 156	49048209	○
13,92	2,07	88 NBR 156	49048210	○
13,92	2,50	88 NBR 156	49048211	○
13,94	1,31	88 NBR 156	49048212	○
13,94	1,78	72 NBR 872	49051311	○
13,94	2,34	88 NBR 156	49048213	○
13,94	2,62	70 EPDM 281	49052870	○
13,94	2,62	72 NBR 872	49047609	○
13,94	2,62	88 NBR 156	60090	●
13,94	4,97	88 NBR 156	49048214	○
13,95	2,62	70 EPDM 281	14453000	●
13,95	2,62	80 FKM 610	49049779	○
13,96	2,62	88 NBR 156	49048215	○
13,96	3,00	88 NBR 156	49048216	○
13,96	4,02	88 NBR 156	49048217	○
13,97	1,50	70 EPDM 281	49052871	○
13,97	1,78	70 EPDM 281	49052872	○
13,97	2,62	70 EPDM 281	49052873	○
13,98	1,60	72 NBR 872	49051312	○
13,98	1,60	88 NBR 156	49048218	○
13,98	1,78	70 EPDM 281	49052874	○
13,98	1,78	72 NBR 872	49051313	○
13,98	2,01	88 NBR 156	49048219	○
13,98	3,51	72 NBR 872	49051314	○
13,98	8,00	72 NBR 872	49051315	○
13,99	3,02	88 NBR 156	49048220	○
14,00	1,00	70 EPDM 281	14450624	●
14,00	1,00	72 NBR 872	448215	●
14,00	1,00	80 FKM 610	49049780	○
14,00	1,30	72 NBR 872	49047522	○
14,00	1,30	80 FKM 610	49049781	○
14,00	1,50	70 EPDM 281	14453140	●
14,00	1,50	72 NBR 872	14451892	●
14,00	1,50	80 FKM 610	14453169	●
14,00	1,50	88 NBR 156	49047746	○
14,00	1,60	88 NBR 156	407779	●
14,00	1,70	72 NBR 872	49047504	○
14,00	1,70	80 FKM 610	49049782	○

d ₁	d ₂	Material	Article No.	
14,00	1,78	70 EPDM 281	49003236	●
14,00	1,78	72 NBR 872	446966	●
14,00	1,78	80 FKM 610	449426	●
14,00	1,78	88 NBR 156	49048221	○
14,00	2,00	70 EPDM 281	14453141	●
14,00	2,00	72 NBR 872	447565	●
14,00	2,00	80 FKM 610	449427	●
14,00	2,00	88 NBR 156	63966	●
14,00	2,50	70 EPDM 281	446736	●
14,00	2,50	72 NBR 872	49004067	●
14,00	2,50	80 FKM 610	449428	●
14,00	2,50	88 NBR 156	60102	●
14,00	2,62	88 NBR 156	49048222	○
14,00	2,80	80 FKM 610	49049783	○
14,00	3,00	70 EPDM 281	447587	●
14,00	3,00	72 NBR 872	445618	●
14,00	3,00	80 FKM 610	449429	●
14,00	3,50	80 FKM 610	49049784	○
14,00	4,00	72 NBR 872	444519	●
14,00	4,00	80 FKM 610	49049785	○
14,00	5,00	72 NBR 872	807	●
14,00	5,00	80 FKM 610	49049786	○
14,03	2,51	88 NBR 156	49048223	○
14,03	5,81	70 EPDM 281	49052875	○
14,04	1,78	72 NBR 872	49051316	○
14,04	3,51	88 NBR 156	49048224	○
14,04	8,01	88 NBR 156	49048225	○
14,05	2,66	88 NBR 156	49048226	○
14,06	1,78	70 EPDM 281	49052876	○
14,06	1,78	72 NBR 872	49051317	○
14,06	3,53	72 NBR 872	49051318	○
14,07	2,02	72 NBR 872	49051319	○
14,09	1,78	88 NBR 156	49048227	○
14,09	3,53	70 EPDM 281	49052877	○
14,10	1,60	72 NBR 872	444484	●
14,10	1,60	80 FKM 610	49049787	○
14,10	2,00	72 NBR 872	49051320	○
14,11	3,53	88 NBR 156	49048228	○
14,13	3,02	88 NBR 156	49048229	○
14,14	1,83	88 NBR 156	49048230	○
14,15	1,51	72 NBR 872	49051321	○
14,15	2,40	72 NBR 872	49051322	○
14,15	3,02	88 NBR 156	49048231	○
14,17	2,59	88 NBR 156	49048232	○
14,20	2,60	72 NBR 872	49047172	○
14,21	2,40	88 NBR 156	49048233	○
14,27	2,40	88 NBR 156	49048234	○
14,30	2,20	72 NBR 872	49051323	○
14,30	2,40	70 EPDM 281	49047448	○

● Available from stock

○ On request: Tool is available, delivery at short notice



d ₁	d ₂	Material	Article No.	
14,30	2,40	72 NBR 872	445743	●
14,30	2,40	80 FKM 610	449430	●
14,30	2,40	88 NBR 156	60103	●
14,36	2,20	88 NBR 156	49048235	○
14,43	1,60	88 NBR 156	49048236	○
14,43	1,78	88 NBR 156	49048237	○
14,44	2,42	88 NBR 156	49048238	○
14,47	3,00	72 NBR 872	49051324	○
14,47	4,60	70 EPDM 281	49052878	○
14,48	1,66	72 NBR 872	49051325	○
14,48	1,66	88 NBR 156	49048239	○
14,49	3,00	70 EPDM 281	49052879	○
14,49	3,00	72 NBR 872	49051326	○
14,50	0,70	72 NBR 872	49047907	○
14,50	1,50	80 FKM 610	49049788	○
14,50	1,60	80 FKM 610	49049789	○
14,50	1,78	88 NBR 156	49048240	○
14,50	3,00	72 NBR 872	446045	●
14,50	3,00	80 FKM 610	49049790	○
14,50	4,50	72 NBR 872	49051327	○
14,50	5,00	72 NBR 872	49047173	○
14,52	3,53	70 EPDM 281	49052880	○
14,52	3,53	72 NBR 872	49051328	○
14,54	3,00	88 NBR 156	49048241	○
14,63	2,42	88 NBR 156	49048242	○
14,66	1,81	88 NBR 156	49048243	○
14,68	3,20	72 NBR 872	49051329	○
14,68	3,20	88 NBR 156	49048244	○
14,77	2,10	70 EPDM 281	49052881	○
14,83	2,19	72 NBR 872	49051330	○
14,87	1,80	70 EPDM 281	49052882	○
14,87	2,19	72 NBR 872	49051331	○
14,88	2,40	72 NBR 872	49051332	○
14,91	1,78	72 NBR 872	49051333	○
14,91	1,99	88 NBR 156	49048245	○
14,94	1,78	70 EPDM 281	49052883	○
14,95	2,69	88 NBR 156	49048246	○
14,95	3,47	88 NBR 156	49048247	○
14,96	2,00	88 NBR 156	49048248	○
14,97	1,78	88 NBR 156	49048249	○
14,97	4,00	70 EPDM 281	49052884	○
14,98	2,62	72 NBR 872	49051334	○
14,99	2,50	72 NBR 872	49051335	○
14,99	2,50	88 NBR 156	49048250	○
14,99	2,99	70 EPDM 281	49052885	○
15,00	1,00	70 EPDM 281	49047616	○
15,00	1,00	72 NBR 872	447181	●
15,00	1,00	80 FKM 610	49049791	○
15,00	1,30	80 FKM 610	49049792	○
15,00	1,50	70 EPDM 281	49047630	○
15,00	1,50	72 NBR 872	444801	●

d ₁	d ₂	Material	Article No.	
15,00	1,50	80 FKM 610	449431	●
15,00	1,50	88 NBR 156	49047689	○
15,00	1,80	80 FKM 610	49049793	○
15,00	2,00	70 EPDM 281	49047538	○
15,00	2,00	72 NBR 872	444504	●
15,00	2,00	80 FKM 610	449432	●
15,00	2,50	70 EPDM 281	49047362	○
15,00	2,50	72 NBR 872	444486	●
15,00	2,50	80 FKM 610	449433	●
15,00	2,50	88 NBR 156	312901	●
15,00	3,00	70 EPDM 281	14453142	●
15,00	3,00	72 NBR 872	14453174	●
15,00	3,00	80 FKM 610	449434	●
15,00	3,20	72 NBR 872	879	●
15,00	3,50	72 NBR 872	445817	●
15,00	3,50	80 FKM 610	49049794	○
15,00	4,00	80 FKM 610	49049795	○
15,00	4,25	80 FKM 610	49049796	○
15,00	5,00	70 EPDM 281	49047403	○
15,00	5,00	72 NBR 872	446573	●
15,00	5,00	80 FKM 610	49049797	○
15,00	6,00	80 FKM 610	49049798	○
15,01	2,48	88 NBR 156	49048251	○
15,01	2,62	70 EPDM 281	49052886	○
15,02	2,99	88 NBR 156	49048252	○
15,04	2,62	88 NBR 156	49048253	○
15,05	3,18	88 NBR 156	49048254	○
15,07	2,48	88 NBR 156	49048255	○
15,08	2,62	70 EPDM 281	49052887	○
15,08	2,62	72 NBR 872	445636	●
15,08	2,62	80 FKM 610	49049799	○
15,10	1,60	80 FKM 610	49049800	○
15,10	3,50	88 NBR 156	49048256	○
15,11	3,80	88 NBR 156	49048257	○
15,13	2,51	88 NBR 156	49048258	○
15,15	2,51	70 EPDM 281	49052888	○
15,15	2,51	72 NBR 872	49051336	○
15,17	3,00	72 NBR 872	49051337	○
15,17	3,00	88 NBR 156	49048259	○
15,22	2,42	88 NBR 156	49048260	○
15,23	2,62	70 EPDM 281	49052889	○
15,24	5,33	70 EPDM 281	49052890	○
15,24	5,33	72 NBR 872	49051338	○
15,24	5,33	80 FKM 610	49049801	○
15,25	2,62	72 NBR 872	49051339	○
15,26	2,64	88 NBR 156	49048261	○
15,28	2,40	72 NBR 872	49051340	○
15,28	2,40	88 NBR 156	49048262	○
15,28	2,62	70 EPDM 281	49052891	○

● Available from stock

○ On request: Tool is available, delivery at short notice



d ₁	d ₂	Material	Article No.	
15,28	4,04	72 NBR 872	49051341	○
15,30	2,20	88 NBR 156	49046433	●
15,30	2,40	70 EPDM 281	446398	●
15,30	2,40	72 NBR 872	449012	●
15,30	2,40	80 FKM 610	449435	●
15,30	2,40	88 NBR 156	49047291	○
15,30	2,57	80 FKM 610	49049802	○
15,31	2,62	88 NBR 156	49048263	○
15,34	2,40	88 NBR 156	49048264	○
15,36	1,78	72 NBR 872	49051342	○
15,36	2,65	72 NBR 872	49051343	○
15,38	1,50	70 EPDM 281	49052892	○
15,39	1,78	70 EPDM 281	49052893	○
15,39	2,62	70 EPDM 281	49052894	○
15,42	1,78	88 NBR 156	49048265	○
15,42	2,62	88 NBR 156	49048266	○
15,43	1,50	70 EPDM 281	49052895	○
15,46	2,62	72 NBR 872	49051344	○
15,46	2,62	88 NBR 156	49048267	○
15,47	3,53	70 EPDM 281	49052896	○
15,47	3,53	72 NBR 872	49051345	○
15,47	3,53	80 FKM 610	49049803	○
15,47	3,80	70 EPDM 281	49052897	○
15,47	4,19	70 EPDM 281	49052898	○
15,50	1,50	80 FKM 610	49049804	○
15,50	1,78	72 NBR 872	49051346	○
15,50	2,00	80 FKM 610	49049805	○
15,50	3,80	88 NBR 156	49048268	○
15,50	4,19	88 NBR 156	49048269	○
15,50	4,50	72 NBR 872	447716	●
15,50	4,50	80 FKM 610	49049806	○
15,51	1,78	88 NBR 156	49048270	○
15,53	1,50	70 EPDM 281	49052899	○
15,53	1,78	70 EPDM 281	49052900	○
15,54	2,62	70 EPDM 281	447076	●
15,54	2,62	72 NBR 872	446495	●
15,54	2,62	80 FKM 610	449436	●
15,54	2,62	88 NBR 156	49047292	○
15,55	2,12	72 NBR 872	49051347	○
15,57	2,50	72 NBR 872	49051348	○
15,58	1,78	72 NBR 872	49051349	○
15,58	1,78	88 NBR 156	49048271	○
15,60	1,78	70 EPDM 281	447313	●
15,60	1,78	72 NBR 872	445818	●
15,60	1,78	80 FKM 610	449437	●
15,60	2,49	70 EPDM 281	49052901	○
15,60	2,50	72 NBR 872	445943	●
15,60	2,50	80 FKM 610	49049807	○
15,63	2,50	88 NBR 156	49048272	○
15,70	1,80	80 FKM 610	49049808	○
15,75	2,62	72 NBR 872	49051350	○

d ₁	d ₂	Material	Article No.	
15,77	1,90	70 EPDM 281	49052902	○
15,77	3,18	88 NBR 156	49048273	○
15,78	2,62	70 EPDM 281	49052903	○
15,81	1,78	88 NBR 156	49048274	○
15,81	2,62	88 NBR 156	49048275	○
15,84	3,53	70 EPDM 281	49052904	○
15,85	1,50	88 NBR 156	49048276	○
15,87	3,53	88 NBR 156	49048277	○
15,88	2,62	70 EPDM 281	447077	●
15,88	2,62	72 NBR 872	445864	●
15,88	2,62	80 FKM 610	49049809	○
15,88	2,62	88 NBR 156	49047758	○
15,89	2,40	72 NBR 872	49051351	○
15,89	4,48	88 NBR 156	49048278	○
15,96	2,01	88 NBR 156	49048279	○
15,96	2,50	88 NBR 156	49048280	○
15,97	3,00	70 EPDM 281	49052905	○
16,00	1,00	80 FKM 610	49049810	○
16,00	1,25	70 EPDM 281	14450728	●
16,00	1,25	72 NBR 872	449028	●
16,00	1,25	80 FKM 610	49049811	○
16,00	1,25	88 NBR 156	60106	●
16,00	1,50	70 EPDM 281	14453143	●
16,00	1,50	72 NBR 872	444612	●
16,00	1,50	80 FKM 610	449438	●
16,00	1,50	88 NBR 156	49047293	○
16,00	1,78	72 NBR 872	49051352	○
16,00	1,90	72 NBR 872	14451896	●
16,00	1,90	80 FKM 610	49049812	○
16,00	2,00	70 EPDM 281	14453144	●
16,00	2,00	72 NBR 872	49007099	●
16,00	2,00	80 FKM 610	449439	●
16,00	2,00	88 NBR 156	60108	●
16,00	2,50	70 EPDM 281	49047527	○
16,00	2,50	72 NBR 872	49004066	●
16,00	2,50	80 FKM 610	449440	●
16,00	2,50	88 NBR 156	60109	●
16,00	3,00	70 EPDM 281	447152	●
16,00	3,00	72 NBR 872	446401	●
16,00	3,00	80 FKM 610	449441	●
16,00	3,00	88 NBR 156	49047294	○
16,00	3,50	70 EPDM 281	49047680	○
16,00	3,50	72 NBR 872	445498	●
16,00	3,50	80 FKM 610	49049813	○
16,00	4,00	70 EPDM 281	327295	●
16,00	4,00	72 NBR 872	445632	●
16,00	4,00	80 FKM 610	49049814	○
16,00	4,50	72 NBR 872	446050	●
16,00	4,50	80 FKM 610	49049815	○

● Available from stock

○ On request: Tool is available, delivery at short notice



d ₁	d ₂	Material	Article No.	
16,00	5,00	72 NBR 872	447588	●
16,00	5,00	80 FKM 610	49049816	○
16,00	7,00	70 EPDM 281	49052906	○
16,00	7,00	72 NBR 872	446080	●
16,00	7,00	80 FKM 610	49049817	○
16,02	2,01	88 NBR 156	49048281	○
16,03	1,78	70 EPDM 281	49052907	○
16,04	4,00	72 NBR 872	49051353	○
16,06	1,78	88 NBR 156	49048282	○
16,08	3,03	88 NBR 156	49048283	○
16,09	2,50	70 EPDM 281	49052908	○
16,09	2,50	72 NBR 872	49051354	○
16,10	1,60	70 EPDM 281	49047728	○
16,10	1,60	72 NBR 872	49047496	○
16,10	1,60	80 FKM 610	49049818	○
16,12	4,02	72 NBR 872	49051355	○
16,13	2,99	72 NBR 872	49051356	○
16,14	1,60	88 NBR 156	49048284	○
16,16	2,00	72 NBR 872	49051357	○
16,25	2,40	88 NBR 156	49048285	○
16,25	4,55	72 NBR 872	49051358	○
16,29	2,55	70 EPDM 281	49052909	○
16,30	2,40	70 EPDM 281	446710	●
16,30	2,40	72 NBR 872	445747	●
16,30	2,40	80 FKM 610	449442	●
16,30	2,40	88 NBR 156	60111	●
16,32	2,40	88 NBR 156	49048286	○
16,33	2,55	88 NBR 156	49048287	○
16,36	2,21	80 FKM 610	49049819	○
16,50	1,50	80 FKM 610	49049820	○
16,50	1,78	70 EPDM 281	49052910	○
16,50	1,78	72 NBR 872	49051359	○
16,50	1,78	80 FKM 610	49049821	○
16,50	2,50	72 NBR 872	445930	●
16,50	2,50	80 FKM 610	49049822	○
16,53	1,78	72 NBR 872	49051360	○
16,53	1,78	88 NBR 156	49048288	○
16,55	1,78	70 EPDM 281	49052911	○
16,55	1,78	80 FKM 610	49049823	○
16,56	1,78	72 NBR 872	49051361	○
16,56	1,78	80 FKM 610	49049824	○
16,58	1,25	80 FKM 610	49049825	○
16,70	1,45	80 FKM 610	49049826	○
16,70	1,80	72 NBR 872	49047774	○
16,70	1,80	80 FKM 610	49049827	○
16,71	1,80	70 EPDM 281	49052912	○
16,76	1,78	70 EPDM 281	49052913	○
16,80	1,78	72 NBR 872	49051362	○
16,80	1,78	88 NBR 156	49048289	○
16,80	2,51	70 EPDM 281	49052914	○
16,80	2,51	72 NBR 872	49051363	○

d ₁	d ₂	Material	Article No.	
16,80	2,69	88 NBR 156	49048290	○
16,81	5,33	70 EPDM 281	49052915	○
16,81	5,33	72 NBR 872	49051364	○
16,81	5,33	80 FKM 610	49049828	○
16,84	2,00	72 NBR 872	49051365	○
16,89	2,94	72 NBR 872	49051366	○
16,90	2,50	88 NBR 156	49048291	○
16,90	2,70	80 FKM 610	49049829	○
16,95	1,50	88 NBR 156	49048292	○
16,96	2,00	70 EPDM 281	49052916	○
16,96	2,01	88 NBR 156	49048293	○
16,96	2,49	70 EPDM 281	49052917	○
16,97	1,50	72 NBR 872	49051367	○
16,97	1,50	88 NBR 156	49048294	○
16,97	1,85	72 NBR 872	49051368	○
16,97	1,85	88 NBR 156	49048295	○
16,97	3,53	72 NBR 872	49051369	○
17,00	1,00	70 EPDM 281	49047771	○
17,00	1,00	80 FKM 610	49049830	○
17,00	1,30	80 FKM 610	49049831	○
17,00	1,50	70 EPDM 281	14453145	●
17,00	1,50	72 NBR 872	446159	●
17,00	1,50	80 FKM 610	449443	●
17,00	2,00	70 EPDM 281	14453146	●
17,00	2,00	72 NBR 872	446574	●
17,00	2,00	80 FKM 610	449444	●
17,00	2,01	88 NBR 156	49048296	○
17,00	2,50	70 EPDM 281	14453147	●
17,00	2,50	72 NBR 872	444792	●
17,00	2,50	80 FKM 610	449445	●
17,00	2,50	88 NBR 156	49048297	○
17,00	3,00	70 EPDM 281	49047757	○
17,00	3,00	72 NBR 872	447154	●
17,00	3,00	80 FKM 610	14451411	●
17,00	3,20	80 FKM 610	49049832	○
17,00	3,53	70 EPDM 281	49052918	○
17,00	3,80	80 FKM 610	49049833	○
17,00	4,00	70 EPDM 281	49047740	○
17,00	4,00	72 NBR 872	444790	●
17,00	4,00	80 FKM 610	49049834	○
17,00	4,20	80 FKM 610	49049835	○
17,02	1,11	88 NBR 156	49048298	○
17,04	3,53	70 EPDM 281	49052919	○
17,04	3,53	72 NBR 872	49051370	○
17,04	3,53	80 FKM 610	49049836	○
17,04	3,53	88 NBR 156	49048299	○
17,07	1,78	72 NBR 872	49051371	○
17,10	1,60	80 FKM 610	49049837	○
17,10	1,78	70 EPDM 281	49052920	○

● Available from stock

○ On request: Tool is available, delivery at short notice



d ₁	d ₂	Material	Article No.	
17,11	2,62	72 NBR 872	49051372	○
17,11	2,62	88 NBR 156	49048300	○
17,11	3,00	88 NBR 156	49048301	○
17,12	2,62	70 EPDM 281	447078	●
17,12	2,62	72 NBR 872	444794	●
17,12	2,62	80 FKM 610	449446	●
17,12	2,62	88 NBR 156	49047295	○
17,13	1,78	88 NBR 156	49048302	○
17,14	2,62	70 EPDM 281	49052921	○
17,15	3,02	88 NBR 156	49048303	○
17,17	1,78	70 EPDM 281	533315	●
17,17	1,78	72 NBR 872	445630	●
17,17	1,78	80 FKM 610	449447	●
17,17	2,01	72 NBR 872	49051373	○
17,17	2,62	88 NBR 156	49048304	○
17,19	2,40	88 NBR 156	49048305	○
17,20	3,00	70 EPDM 281	14453148	●
17,20	3,00	72 NBR 872	445546	●
17,20	3,00	80 FKM 610	49049838	○
17,20	3,00	88 NBR 156	63380	●
17,20	3,20	80 FKM 610	49049839	○
17,22	2,40	88 NBR 156	49048306	○
17,29	1,78	70 EPDM 281	49052922	○
17,29	1,78	72 NBR 872	49051374	○
17,29	2,40	88 NBR 156	49048307	○
17,30	2,40	70 EPDM 281	447065	●
17,30	2,40	72 NBR 872	446402	●
17,30	2,40	80 FKM 610	449653	●
17,30	2,40	88 NBR 156	60143	●
17,32	1,50	70 EPDM 281	49052923	○
17,32	1,50	72 NBR 872	49051375	○
17,38	3,51	88 NBR 156	49048308	○
17,39	3,47	88 NBR 156	49048309	○
17,40	2,10	80 FKM 610	49049840	○
17,46	2,62	70 EPDM 281	49052924	○
17,46	2,62	72 NBR 872	49051376	○
17,46	2,62	80 FKM 610	49049841	○
17,49	2,40	88 NBR 156	49048310	○
17,50	1,78	70 EPDM 281	49052925	○
17,50	1,78	72 NBR 872	49051377	○
17,50	1,78	80 FKM 610	49049842	○
17,50	2,40	72 NBR 872	1077	●
17,50	3,50	72 NBR 872	448869	●
17,50	3,50	80 FKM 610	49049843	○
17,55	1,03	70 EPDM 281	49052926	○
17,57	4,00	72 NBR 872	49051378	○
17,58	2,65	72 NBR 872	49051379	○
17,60	2,40	80 FKM 610	49049844	○
17,63	1,78	72 NBR 872	49051380	○
17,67	1,78	70 EPDM 281	49052927	○
17,70	1,78	70 EPDM 281	447717	●

d ₁	d ₂	Material	Article No.	
17,70	1,78	72 NBR 872	49051381	○
17,70	1,78	80 FKM 610	49049845	○
17,70	1,78	88 NBR 156	49048311	○
17,74	1,03	70 EPDM 281	49052928	○
17,85	2,62	70 EPDM 281	49052929	○
17,85	2,62	72 NBR 872	49051382	○
17,85	5,33	70 EPDM 281	49052930	○
17,85	5,33	72 NBR 872	49051383	○
17,85	5,33	80 FKM 610	49049846	○
17,86	2,62	70 EPDM 281	447293	●
17,86	2,62	80 FKM 610	49049847	○
17,88	2,62	72 NBR 872	49051384	○
17,90	2,01	88 NBR 156	49048312	○
17,90	2,50	88 NBR 156	49048313	○
17,91	3,96	88 NBR 156	49048314	○
17,92	1,50	88 NBR 156	49048315	○
17,92	2,62	70 EPDM 281	49052931	○
17,93	2,50	88 NBR 156	49048316	○
17,95	2,62	88 NBR 156	49048317	○
17,96	1,50	70 EPDM 281	49052932	○
17,96	1,99	72 NBR 872	49051385	○
17,96	2,49	70 EPDM 281	49052933	○
17,96	2,62	70 EPDM 281	49047391	○
17,96	5,01	70 EPDM 281	49052934	○
17,96	5,98	70 EPDM 281	49052935	○
17,98	3,20	72 NBR 872	49051386	○
17,99	1,50	88 NBR 156	49048318	○
17,99	2,50	88 NBR 156	49048319	○
17,99	5,01	88 NBR 156	49048320	○
17,99	5,98	88 NBR 156	49048321	○
18,00	1,00	70 EPDM 281	445731	●
18,00	1,00	72 NBR 872	446547	●
18,00	1,00	80 FKM 610	49049848	○
18,00	1,15	70 EPDM 281	49047818	○
18,00	1,15	80 FKM 610	49049849	○
18,00	1,30	80 FKM 610	49049850	○
18,00	1,50	70 EPDM 281	49047802	○
18,00	1,50	72 NBR 872	447257	●
18,00	1,50	80 FKM 610	49049851	○
18,00	1,50	88 NBR 156	49047366	○
18,00	2,00	70 EPDM 281	447097	●
18,00	2,00	72 NBR 872	49003397	●
18,00	2,00	80 FKM 610	449448	●
18,00	2,00	88 NBR 156	60144	●
18,00	2,20	72 NBR 872	447324	●
18,00	2,20	80 FKM 610	49049852	○
18,00	2,49	72 NBR 872	49051387	○
18,00	2,50	70 EPDM 281	49047363	○
18,00	2,50	72 NBR 872	444596	●

● Available from stock

○ On request: Tool is available, delivery at short notice



d ₁	d ₂	Material	Article No.	
18,00	2,50	80 FKM 610	449449	●
18,00	2,65	80 FKM 610	49049853	○
18,00	3,00	70 EPDM 281	14451434	●
18,00	3,00	72 NBR 872	49007081	●
18,00	3,00	80 FKM 610	449450	●
18,00	3,50	72 NBR 872	445854	●
18,00	3,50	80 FKM 610	449451	●
18,00	4,00	72 NBR 872	447589	●
18,00	4,00	80 FKM 610	49049854	○
18,00	5,00	72 NBR 872	445635	●
18,00	5,00	80 FKM 610	449452	●
18,00	6,00	72 NBR 872	444767	●
18,00	6,00	80 FKM 610	49049855	○
18,04	2,01	72 NBR 872	49051388	○
18,05	3,20	88 NBR 156	49048322	○
18,09	1,78	88 NBR 156	49048323	○
18,10	1,60	80 FKM 610	49049856	○
18,10	2,00	80 FKM 610	49049857	○
18,10	2,70	80 FKM 610	49049858	○
18,11	3,49	72 NBR 872	49051389	○
18,12	1,70	88 NBR 156	49048324	○
18,13	3,02	88 NBR 156	49048325	○
18,17	2,52	72 NBR 872	49051390	○
18,17	3,00	72 NBR 872	49051391	○
18,19	2,40	88 NBR 156	49048326	○
18,19	2,68	72 NBR 872	49051392	○
18,20	3,00	70 EPDM 281	445730	●
18,20	3,00	72 NBR 872	447916	●
18,20	3,00	80 FKM 610	449453	●
18,20	3,00	88 NBR 156	63383	●
18,24	1,78	70 EPDM 281	447718	●
18,24	1,78	72 NBR 872	49051393	○
18,24	1,78	80 FKM 610	49049859	○
18,25	2,72	88 NBR 156	49048327	○
18,25	3,00	88 NBR 156	49048328	○
18,27	2,00	70 EPDM 281	49052936	○
18,27	2,40	88 NBR 156	49048329	○
18,27	2,69	88 NBR 156	49048330	○
18,29	3,43	88 NBR 156	49048331	○
18,30	2,40	72 NBR 872	14453175	●
18,30	2,40	80 FKM 610	449454	●
18,30	2,40	88 NBR 156	60145	●
18,40	2,70	72 NBR 872	444695	●
18,40	2,70	80 FKM 610	49047638	○
18,40	3,00	70 EPDM 281	49047665	○
18,40	3,00	80 FKM 610	49049860	○
18,42	5,33	70 EPDM 281	49052937	○
18,42	5,33	72 NBR 872	49051394	○
18,42	5,33	80 FKM 610	49049861	○
18,44	2,42	88 NBR 156	49048332	○
18,50	1,50	80 FKM 610	49049862	○

d ₁	d ₂	Material	Article No.	
18,50	2,00	70 EPDM 281	49047843	○
18,50	2,00	80 FKM 610	49049863	○
18,52	3,53	72 NBR 872	49051395	○
18,52	5,40	70 EPDM 281	49052938	○
18,56	2,62	72 NBR 872	49051396	○
18,56	3,53	70 EPDM 281	49052939	○
18,58	3,53	72 NBR 872	49051397	○
18,60	2,40	80 FKM 610	49049864	○
18,60	2,62	70 EPDM 281	49052940	○
18,60	3,53	88 NBR 156	49048333	○
18,62	3,53	70 EPDM 281	49052941	○
18,64	2,01	72 NBR 872	49051398	○
18,64	2,62	88 NBR 156	49048334	○
18,64	3,53	70 EPDM 281	449013	●
18,64	3,53	72 NBR 872	448512	●
18,64	3,53	80 FKM 610	49049865	○
18,64	3,53	88 NBR 156	407780	●
18,65	3,53	88 NBR 156	49048335	○
18,66	2,62	72 NBR 872	49051399	○
18,68	2,58	72 NBR 872	49051400	○
18,70	1,78	70 EPDM 281	49052942	○
18,70	2,62	70 EPDM 281	49052943	○
18,72	2,62	70 EPDM 281	447079	●
18,72	2,62	72 NBR 872	445633	●
18,72	2,62	80 FKM 610	49049866	○
18,73	2,62	88 NBR 156	49048336	○
18,75	1,78	72 NBR 872	49051401	○
18,75	1,78	88 NBR 156	49048337	○
18,77	1,78	70 EPDM 281	445727	●
18,77	1,78	72 NBR 872	445524	●
18,77	1,78	80 FKM 610	14453170	●
18,83	1,50	70 EPDM 281	49052944	○
18,83	2,40	72 NBR 872	49051402	○
18,83	3,53	70 EPDM 281	49052945	○
18,83	3,53	72 NBR 872	49051403	○
18,85	2,50	88 NBR 156	49048338	○
18,87	1,50	88 NBR 156	49048339	○
18,89	1,78	88 NBR 156	49048340	○
18,89	2,62	70 EPDM 281	49052946	○
18,91	3,12	88 NBR 156	49048341	○
18,93	2,62	88 NBR 156	49048342	○
18,93	3,51	88 NBR 156	49048343	○
18,93	3,53	70 EPDM 281	49052947	○
18,93	3,53	72 NBR 872	49051404	○
18,94	2,00	72 NBR 872	49051405	○
18,95	2,01	88 NBR 156	49048344	○
18,95	2,40	88 NBR 156	49048345	○
18,95	2,50	88 NBR 156	49048346	○
18,95	3,96	88 NBR 156	49048347	○

● Available from stock

○ On request: Tool is available, delivery at short notice



d ₁	d ₂	Material	Article No.	
18,96	2,75	70 EPDM 281	49052948	○
18,97	2,50	72 NBR 872	49051406	○
18,97	2,50	88 NBR 156	49048348	○
18,99	1,60	88 NBR 156	49048349	○
19,00	1,00	80 FKM 610	49049867	○
19,00	1,50	72 NBR 872	447225	●
19,00	1,50	80 FKM 610	49049868	○
19,00	1,80	72 NBR 872	444528	●
19,00	1,80	80 FKM 610	49049869	○
19,00	2,00	70 EPDM 281	14453149	●
19,00	2,00	72 NBR 872	444472	●
19,00	2,00	80 FKM 610	49049870	○
19,00	2,40	72 NBR 872	446160	●
19,00	2,40	80 FKM 610	49049871	○
19,00	2,49	72 NBR 872	49051407	○
19,00	2,50	70 EPDM 281	49047625	○
19,00	2,50	72 NBR 872	49007003	●
19,00	2,50	80 FKM 610	449456	●
19,00	2,50	88 NBR 156	60146	●
19,00	3,00	72 NBR 872	445563	●
19,00	3,00	80 FKM 610	49049872	○
19,00	3,50	72 NBR 872	448374	●
19,00	3,50	80 FKM 610	49049873	○
19,00	3,98	72 NBR 872	49051408	○
19,00	4,00	70 EPDM 281	49047791	○
19,00	4,00	72 NBR 872	445499	●
19,00	4,00	80 FKM 610	49049874	○
19,00	4,50	80 FKM 610	49049875	○
19,00	5,00	72 NBR 872	446138	●
19,00	5,00	80 FKM 610	49049876	○
19,00	6,90	72 NBR 872	49051409	○
19,00	7,00	70 EPDM 281	49047681	○
19,00	7,00	72 NBR 872	49051410	○
19,05	2,00	72 NBR 872	49051411	○
19,05	2,62	70 EPDM 281	448821	●
19,06	1,60	88 NBR 156	49048350	○
19,08	2,49	70 EPDM 281	49052949	○
19,08	2,49	72 NBR 872	49051412	○
19,10	1,60	80 FKM 610	449457	●
19,11	1,50	70 EPDM 281	49052950	○
19,11	2,00	72 NBR 872	49051413	○
19,18	2,46	80 FKM 610	49049877	○
19,18	3,00	70 EPDM 281	49052951	○
19,20	2,97	72 NBR 872	49051414	○
19,20	3,00	70 EPDM 281	447082	●
19,20	3,00	72 NBR 872	446783	●
19,20	3,00	80 FKM 610	449458	●
19,22	3,00	88 NBR 156	49048351	○
19,26	2,40	72 NBR 872	49051415	○
19,26	2,40	88 NBR 156	49048352	○
19,30	2,40	70 EPDM 281	49047450	○

d ₁	d ₂	Material	Article No.	
19,30	2,40	72 NBR 872	446182	●
19,30	2,40	80 FKM 610	449459	●
19,30	2,40	88 NBR 156	63384	●
19,34	2,40	88 NBR 156	49048353	○
19,36	2,00	70 EPDM 281	49052952	○
19,40	2,01	88 NBR 156	49048354	○
19,40	2,10	80 FKM 610	49049878	○
19,40	2,10	88 NBR 156	49046434	●
19,44	1,99	72 NBR 872	49051416	○
19,46	2,03	80 FKM 610	49049879	○
19,49	5,75	88 NBR 156	49048355	○
19,50	1,50	80 FKM 610	49049880	○
19,50	1,50	88 NBR 156	49048356	○
19,50	2,30	80 FKM 610	49049881	○
19,50	3,00	72 NBR 872	49051417	○
19,51	2,10	72 NBR 872	49051418	○
19,57	3,00	88 NBR 156	49048357	○
19,59	2,12	72 NBR 872	49051419	○
19,60	3,53	70 EPDM 281	445949	●
19,60	3,53	72 NBR 872	49051420	○
19,60	3,53	80 FKM 610	49049882	○
19,71	3,61	88 NBR 156	49048358	○
19,75	2,50	70 EPDM 281	49052953	○
19,75	2,50	72 NBR 872	49051421	○
19,79	3,00	72 NBR 872	49051422	○
19,80	2,51	70 EPDM 281	49052954	○
19,80	2,51	72 NBR 872	49051423	○
19,80	3,59	72 NBR 872	49051424	○
19,80	3,60	70 EPDM 281	49047541	○
19,80	3,60	80 FKM 610	49049883	○
19,90	4,00	88 NBR 156	49048359	○
19,92	2,43	72 NBR 872	49051425	○
19,92	3,00	88 NBR 156	49048360	○
19,94	1,31	88 NBR 156	49048361	○
19,94	2,50	88 NBR 156	49048362	○
19,94	5,01	88 NBR 156	49048363	○
19,96	3,00	70 EPDM 281	49052955	○
19,96	4,50	88 NBR 156	49048364	○
19,98	2,00	70 EPDM 281	49052956	○
19,98	2,49	70 EPDM 281	49052957	○
19,98	2,59	70 EPDM 281	49052958	○
19,98	3,51	88 NBR 156	49048365	○
19,98	6,00	70 EPDM 281	49052959	○
19,98	8,01	88 NBR 156	49048366	○
19,99	5,33	70 EPDM 281	49052960	○
19,99	5,33	72 NBR 872	49051426	○
19,99	5,33	80 FKM 610	49049884	○
20,00	1,00	72 NBR 872	449014	●
20,00	1,00	80 FKM 610	49049885	○

● Available from stock

○ On request: Tool is available, delivery at short notice



d ₁	d ₂	Material	Article No.	
20,00	1,30	72 NBR 872	446403	●
20,00	1,30	80 FKM 610	449460	●
20,00	1,50	70 EPDM 281	14450034	●
20,00	1,50	80 FKM 610	49049886	○
20,00	2,00	70 EPDM 281	14453150	●
20,00	2,00	72 NBR 872	444505	●
20,00	2,00	80 FKM 610	449461	●
20,00	2,00	88 NBR 156	60148	●
20,00	2,20	70 EPDM 281	49047962	○
20,00	2,50	70 EPDM 281	446701	●
20,00	2,50	72 NBR 872	444495	●
20,00	2,50	80 FKM 610	449462	●
20,00	2,50	88 NBR 156	49047893	○
20,00	3,00	70 EPDM 281	49007276	●
20,00	3,00	72 NBR 872	49007104	●
20,00	3,00	80 FKM 610	449463	●
20,00	3,00	88 NBR 156	49047296	○
20,00	3,50	70 EPDM 281	327559	●
20,00	3,50	72 NBR 872	445615	●
20,00	3,50	80 FKM 610	49049887	○
20,00	3,75	80 FKM 610	49049888	○
20,00	3,98	72 NBR 872	49051427	○
20,00	4,00	70 EPDM 281	448795	●
20,00	4,00	72 NBR 872	444812	●
20,00	4,00	80 FKM 610	449464	●
20,00	4,50	72 NBR 872	448216	●
20,00	4,50	80 FKM 610	49049889	○
20,00	5,00	72 NBR 872	446490	●
20,00	5,00	80 FKM 610	449465	●
20,00	6,00	70 EPDM 281	49047857	○
20,00	6,00	72 NBR 872	445865	●
20,00	6,00	80 FKM 610	49049890	○
20,00	6,35	80 FKM 610	49049891	○
20,02	1,50	70 EPDM 281	49052961	○
20,02	2,01	88 NBR 156	49048367	○
20,02	2,50	88 NBR 156	49048368	○
20,02	2,59	88 NBR 156	49048369	○
20,02	6,00	88 NBR 156	49048370	○
20,04	3,16	70 EPDM 281	49052962	○
20,05	1,00	70 EPDM 281	49052963	○
20,06	1,99	72 NBR 872	49051428	○
20,07	3,00	72 NBR 872	49051429	○
20,08	1,99	72 NBR 872	49051430	○
20,08	3,51	88 NBR 156	49048371	○
20,12	1,33	88 NBR 156	49048372	○
20,12	2,62	72 NBR 872	49051431	○
20,12	3,00	72 NBR 872	49051432	○
20,14	3,53	72 NBR 872	49051433	○
20,14	3,53	80 FKM 610	49049892	○
20,14	3,54	70 EPDM 281	49047721	○
20,16	2,62	70 EPDM 281	49052964	○

d ₁	d ₂	Material	Article No.	
20,17	2,50	70 EPDM 281	49052965	○
20,17	2,50	72 NBR 872	49051434	○
20,17	3,53	72 NBR 872	49051435	○
20,19	2,14	72 NBR 872	49051436	○
20,19	2,52	72 NBR 872	49051437	○
20,19	2,62	88 NBR 156	49048373	○
20,20	3,00	70 EPDM 281	49047631	○
20,20	3,00	72 NBR 872	446413	●
20,20	3,00	80 FKM 610	49049893	○
20,20	3,00	88 NBR 156	63633	●
20,21	3,53	70 EPDM 281	49052966	○
20,22	2,62	70 EPDM 281	49052967	○
20,22	2,62	72 NBR 872	49051438	○
20,22	2,62	80 FKM 610	49049894	○
20,22	3,53	70 EPDM 281	327561	●
20,22	3,53	72 NBR 872	445074	●
20,22	3,53	80 FKM 610	49049895	○
20,23	2,40	88 NBR 156	49048374	○
20,25	1,78	72 NBR 872	49051439	○
20,25	3,53	88 NBR 156	49048375	○
20,29	1,78	70 EPDM 281	49052968	○
20,29	2,62	70 EPDM 281	447252	●
20,29	2,62	72 NBR 872	447590	●
20,29	2,62	80 FKM 610	449466	●
20,29	2,62	88 NBR 156	60150	●
20,30	2,39	72 NBR 872	49051440	○
20,30	2,40	70 EPDM 281	49047567	○
20,30	2,40	72 NBR 872	448458	●
20,30	2,40	80 FKM 610	449467	●
20,30	2,40	88 NBR 156	60151	●
20,31	1,78	70 EPDM 281	49052969	○
20,31	1,78	72 NBR 872	49051441	○
20,32	3,53	70 EPDM 281	49052970	○
20,32	3,53	72 NBR 872	49051442	○
20,33	1,78	88 NBR 156	49048376	○
20,35	1,78	70 EPDM 281	447058	●
20,35	1,78	72 NBR 872	444158	●
20,35	1,78	80 FKM 610	49049896	○
20,37	3,02	88 NBR 156	49048377	○
20,47	2,59	70 EPDM 281	49052971	○
20,49	2,42	88 NBR 156	49048378	○
20,50	2,00	80 FKM 610	49049897	○
20,50	2,50	70 EPDM 281	49047777	○
20,50	2,50	72 NBR 872	49047531	○
20,50	2,50	80 FKM 610	49049898	○
20,50	2,60	72 NBR 872	446116	●
20,50	2,60	80 FKM 610	49049899	○
20,50	2,62	72 NBR 872	49051443	○
20,50	2,62	88 NBR 156	49048379	○

● Available from stock

○ On request: Tool is available, delivery at short notice



d ₁	d ₂	Material	Article No.	
20,50	3,20	72 NBR 872	448400	●
20,50	3,20	80 FKM 610	49049900	○
20,51	2,59	88 NBR 156	49048380	○
20,56	2,00	70 EPDM 281	49052972	○
20,63	2,62	70 EPDM 281	327565	●
20,63	2,62	72 NBR 872	446575	●
20,63	2,62	80 FKM 610	49049901	○
20,63	2,62	88 NBR 156	49047472	○
20,76	2,49	70 EPDM 281	49052973	○
20,90	2,01	88 NBR 156	49048381	○
20,90	2,50	88 NBR 156	49048382	○
20,90	3,47	88 NBR 156	49048383	○
20,90	3,96	88 NBR 156	49048384	○
20,98	3,00	70 EPDM 281	49052974	○
20,98	3,00	72 NBR 872	49051444	○
21,00	1,30	80 FKM 610	49049902	○
21,00	1,50	72 NBR 872	446479	●
21,00	1,50	80 FKM 610	49049903	○
21,00	2,00	70 EPDM 281	14453153	●
21,00	2,00	72 NBR 872	445500	●
21,00	2,00	80 FKM 610	449468	●
21,00	2,40	72 NBR 872	49047493	○
21,00	2,40	80 FKM 610	49049904	○
21,00	2,50	70 EPDM 281	49047645	○
21,00	2,50	72 NBR 872	448870	●
21,00	2,50	80 FKM 610	49049905	○
21,00	3,00	72 NBR 872	445634	●
21,00	3,00	80 FKM 610	49049906	○
21,00	3,50	72 NBR 872	14451900	●
21,00	3,50	80 FKM 610	49049907	○
21,00	4,00	72 NBR 872	447719	●
21,00	6,00	72 NBR 872	447720	●
21,00	6,00	80 FKM 610	49049908	○
21,07	1,50	70 EPDM 281	49052975	○
21,10	1,60	80 FKM 610	49049909	○
21,10	4,00	72 NBR 872	49051445	○
21,11	1,50	88 NBR 156	49048385	○
21,17	3,00	88 NBR 156	49048386	○
21,19	1,81	88 NBR 156	49048387	○
21,19	2,65	70 EPDM 281	49052976	○
21,20	3,00	72 NBR 872	447591	●
21,20	3,00	80 FKM 610	49047853	○
21,20	3,00	88 NBR 156	63386	●
21,20	3,16	88 NBR 156	49048388	○
21,20	4,90	80 FKM 610	49049910	○
21,29	2,40	88 NBR 156	49048389	○
21,30	1,80	80 FKM 610	49049911	○
21,30	2,40	72 NBR 872	444788	●
21,30	2,40	80 FKM 610	449469	●
21,30	2,40	88 NBR 156	60152	●
21,30	3,60	80 FKM 610	49049912	○

d ₁	d ₂	Material	Article No.	
21,44	3,53	72 NBR 872	49051446	○
21,44	3,53	88 NBR 156	49048390	○
21,47	1,78	72 NBR 872	49051447	○
21,47	1,78	88 NBR 156	49048391	○
21,48	3,53	70 EPDM 281	49052977	○
21,50	1,50	72 NBR 872	14451901	●
21,50	1,50	80 FKM 610	49049913	○
21,50	3,50	80 FKM 610	49049914	○
21,52	3,53	88 NBR 156	49048392	○
21,59	5,33	70 EPDM 281	49052978	○
21,59	5,33	72 NBR 872	49051448	○
21,59	5,33	80 FKM 610	49049915	○
21,60	2,40	80 FKM 610	49049916	○
21,61	2,12	72 NBR 872	49051449	○
21,62	3,34	70 EPDM 281	49052979	○
21,62	3,34	72 NBR 872	49051450	○
21,73	3,53	72 NBR 872	49051451	○
21,75	2,62	72 NBR 872	49051452	○
21,77	3,53	70 EPDM 281	49052980	○
21,79	2,62	70 EPDM 281	49052981	○
21,80	2,40	70 EPDM 281	49047720	○
21,80	2,40	80 FKM 610	49049917	○
21,80	3,00	72 NBR 872	1385	●
21,81	1,78	72 NBR 872	49051453	○
21,81	3,53	88 NBR 156	49048393	○
21,82	3,53	70 EPDM 281	446702	●
21,82	3,53	72 NBR 872	445794	●
21,82	3,53	80 FKM 610	449470	●
21,83	2,62	88 NBR 156	49048394	○
21,83	4,97	88 NBR 156	49048395	○
21,84	2,62	72 NBR 872	49051454	○
21,85	1,78	70 EPDM 281	49052982	○
21,86	3,00	88 NBR 156	49048396	○
21,87	3,96	88 NBR 156	49048397	○
21,88	2,62	70 EPDM 281	49052983	○
21,89	1,31	88 NBR 156	49048398	○
21,89	1,78	88 NBR 156	49048399	○
21,89	2,62	70 EPDM 281	446898	●
21,89	2,62	72 NBR 872	14453176	●
21,89	2,62	80 FKM 610	49049918	○
21,89	2,62	88 NBR 156	303858	●
21,89	3,59	70 EPDM 281	49052984	○
21,89	3,59	72 NBR 872	49051455	○
21,90	1,50	88 NBR 156	49048400	○
21,93	2,62	88 NBR 156	49048401	○
21,94	4,00	88 NBR 156	49048402	○
21,95	1,78	70 EPDM 281	14453154	●
21,95	1,78	72 NBR 872	14453177	●
21,95	1,78	80 FKM 610	14453171	●

● Available from stock

○ On request: Tool is available, delivery at short notice



d ₁	d ₂	Material	Article No.	
21,95	1,78	88 NBR 156	60153	●
21,96	2,00	70 EPDM 281	49052985	○
21,97	2,01	88 NBR 156	49048403	○
21,97	2,50	88 NBR 156	49048404	○
21,98	3,70	70 EPDM 281	49052986	○
22,00	1,00	72 NBR 872	14451903	●
22,00	1,00	80 FKM 610	49049919	○
22,00	1,20	70 EPDM 281	49047612	○
22,00	1,20	80 FKM 610	49049920	○
22,00	1,50	70 EPDM 281	49047354	○
22,00	1,50	72 NBR 872	444678	●
22,00	1,50	80 FKM 610	449471	●
22,00	1,60	72 NBR 872	49047528	○
22,00	1,99	72 NBR 872	49051456	○
22,00	2,00	70 EPDM 281	14453155	●
22,00	2,00	72 NBR 872	49007089	●
22,00	2,00	80 FKM 610	449472	●
22,00	2,00	88 NBR 156	60154	●
22,00	2,01	88 NBR 156	49048405	○
22,00	2,50	70 EPDM 281	14453156	●
22,00	2,50	72 NBR 872	445819	●
22,00	2,50	80 FKM 610	49049921	○
22,00	3,00	70 EPDM 281	448321	●
22,00	3,00	72 NBR 872	445501	●
22,00	3,00	80 FKM 610	49049922	○
22,00	3,00	88 NBR 156	60155	●
22,00	3,50	72 NBR 872	446065	●
22,00	3,50	80 FKM 610	49049923	○
22,00	4,00	72 NBR 872	447158	●
22,00	4,00	80 FKM 610	49049924	○
22,00	5,00	72 NBR 872	445707	●
22,00	5,00	80 FKM 610	49049925	○
22,00	5,50	72 NBR 872	447721	●
22,00	5,50	80 FKM 610	49049926	○
22,00	6,00	72 NBR 872	447722	●
22,00	6,00	80 FKM 610	49049927	○
22,04	3,50	72 NBR 872	49051457	○
22,10	1,60	72 NBR 872	49047495	○
22,10	1,60	80 FKM 610	49049928	○
22,11	1,78	70 EPDM 281	49052987	○
22,11	1,78	72 NBR 872	49051458	○
22,13	2,01	72 NBR 872	49051459	○
22,14	2,51	88 NBR 156	49048406	○
22,14	2,62	88 NBR 156	49048407	○
22,16	0,82	70 EPDM 281	49052988	○
22,16	3,00	72 NBR 872	49051460	○
22,20	3,00	70 EPDM 281	49047811	○
22,20	3,00	72 NBR 872	444793	●
22,20	3,00	80 FKM 610	449473	●
22,20	3,00	88 NBR 156	60156	●
22,21	1,60	80 FKM 610	49049929	○

d ₁	d ₂	Material	Article No.	
22,21	2,01	72 NBR 872	49051461	○
22,22	2,62	70 EPDM 281	49052989	○
22,22	2,62	72 NBR 872	14451904	●
22,22	2,62	80 FKM 610	49049930	○
22,22	3,53	70 EPDM 281	49052990	○
22,22	3,53	72 NBR 872	49051462	○
22,22	3,53	80 FKM 610	49049931	○
22,24	3,00	88 NBR 156	49048408	○
22,27	3,13	88 NBR 156	49048409	○
22,30	2,40	70 EPDM 281	49047699	○
22,30	2,40	72 NBR 872	445855	●
22,30	2,40	80 FKM 610	49049932	○
22,30	2,40	88 NBR 156	49047331	○
22,30	3,00	70 EPDM 281	49047756	○
22,35	1,78	70 EPDM 281	49052991	○
22,35	2,55	72 NBR 872	49051463	○
22,40	1,78	72 NBR 872	49051464	○
22,40	1,78	88 NBR 156	49048410	○
22,40	2,65	80 FKM 610	49049933	○
22,42	1,78	72 NBR 872	49047890	○
22,49	3,00	70 EPDM 281	49052992	○
22,50	3,00	70 EPDM 281	49046089	●
22,53	3,00	88 NBR 156	49048411	○
22,56	2,40	72 NBR 872	49051465	○
22,60	2,50	80 FKM 610	49049934	○
22,65	2,40	88 NBR 156	49048412	○
22,73	3,47	70 EPDM 281	49052993	○
22,78	3,47	88 NBR 156	49048413	○
22,82	1,50	70 EPDM 281	49052994	○
22,85	3,96	88 NBR 156	49048414	○
22,87	1,50	88 NBR 156	49048415	○
22,94	2,01	88 NBR 156	49048416	○
22,95	2,40	72 NBR 872	49051466	○
22,95	2,50	72 NBR 872	49051467	○
22,95	2,59	72 NBR 872	49051468	○
22,98	3,00	70 EPDM 281	49052995	○
23,00	1,50	70 EPDM 281	49047851	○
23,00	1,50	80 FKM 610	49049935	○
23,00	2,00	70 EPDM 281	49047539	○
23,00	2,00	72 NBR 872	445629	●
23,00	2,00	80 FKM 610	49049936	○
23,00	2,50	70 EPDM 281	49047626	○
23,00	2,50	72 NBR 872	49007119	●
23,00	2,50	80 FKM 610	49049937	○
23,00	2,50	88 NBR 156	60157	●
23,00	3,00	70 EPDM 281	49047701	○
23,00	3,00	72 NBR 872	445931	●
23,00	3,00	80 FKM 610	449474	●
23,00	3,50	72 NBR 872	445803	●

● Available from stock

○ On request: Tool is available, delivery at short notice



d ₁	d ₂	Material	Article No.	
23,00	3,50	80 FKM 610	49049938	○
23,00	3,60	80 FKM 610	49049939	○
23,00	4,00	70 EPDM 281	448876	●
23,00	4,00	72 NBR 872	445932	●
23,00	4,00	80 FKM 610	49049940	○
23,00	4,97	88 NBR 156	49048417	○
23,00	5,00	72 NBR 872	49047174	○
23,02	3,00	88 NBR 156	49048418	○
23,04	2,40	88 NBR 156	49048419	○
23,04	2,50	88 NBR 156	49048420	○
23,04	2,59	88 NBR 156	49048421	○
23,12	2,00	72 NBR 872	49051469	○
23,16	5,33	70 EPDM 281	49052996	○
23,16	5,33	72 NBR 872	49051470	○
23,16	5,33	80 FKM 610	49049941	○
23,20	3,02	88 NBR 156	49048422	○
23,22	4,99	70 EPDM 281	49052997	○
23,22	5,00	72 NBR 872	49051471	○
23,28	3,53	72 NBR 872	49051472	○
23,30	2,40	70 EPDM 281	49047571	○
23,30	2,40	72 NBR 872	446046	●
23,30	2,40	80 FKM 610	449475	●
23,30	2,40	88 NBR 156	63388	●
23,31	1,78	70 EPDM 281	49052998	○
23,33	2,40	88 NBR 156	49048423	○
23,33	3,53	70 EPDM 281	49052999	○
23,35	1,78	88 NBR 156	49048424	○
23,35	2,62	70 EPDM 281	49053000	○
23,37	3,53	88 NBR 156	49048425	○
23,39	3,53	70 EPDM 281	49047277	○
23,39	3,53	72 NBR 872	49047175	○
23,39	3,53	88 NBR 156	60159	●
23,40	2,62	72 NBR 872	49051473	○
23,40	2,62	88 NBR 156	49048426	○
23,40	3,53	72 NBR 872	49047622	○
23,40	3,53	80 FKM 610	49049942	○
23,44	2,62	70 EPDM 281	49053001	○
23,47	1,78	70 EPDM 281	49053002	○
23,47	1,78	72 NBR 872	49051474	○
23,47	2,62	70 EPDM 281	445732	●
23,47	2,62	72 NBR 872	1528	●
23,47	2,62	80 FKM 610	449476	●
23,47	2,62	88 NBR 156	60160	●
23,47	2,95	80 FKM 610	49049943	○
23,48	2,42	72 NBR 872	49051475	○
23,48	2,49	70 EPDM 281	49053003	○
23,49	2,62	88 NBR 156	49048427	○
23,49	3,12	88 NBR 156	49048428	○
23,50	2,50	80 FKM 610	49049944	○
23,51	2,60	70 EPDM 281	49053004	○
23,51	2,60	72 NBR 872	49051476	○

d ₁	d ₂	Material	Article No.	
23,52	1,78	70 EPDM 281	447059	●
23,52	1,78	72 NBR 872	14453178	●
23,52	1,78	80 FKM 610	49049945	○
23,52	1,78	88 NBR 156	60161	●
23,59	3,22	88 NBR 156	49048429	○
23,60	2,00	80 FKM 610	49049946	○
23,60	3,15	80 FKM 610	49049947	○
23,66	3,50	70 EPDM 281	49053005	○
23,70	2,80	80 FKM 610	49049948	○
23,71	3,51	88 NBR 156	49048430	○
23,73	2,50	70 EPDM 281	49053006	○
23,73	2,50	72 NBR 872	49051477	○
23,80	2,40	72 NBR 872	49047775	○
23,80	2,40	80 FKM 610	49049949	○
23,80	3,20	80 FKM 610	49049950	○
23,81	2,62	70 EPDM 281	49053007	○
23,81	2,62	72 NBR 872	49051478	○
23,81	2,62	80 FKM 610	49049951	○
23,82	3,57	88 NBR 156	49048431	○
23,88	4,00	88 NBR 156	49048432	○
23,92	2,50	88 NBR 156	49048433	○
23,93	4,00	70 EPDM 281	49053008	○
23,93	5,50	70 EPDM 281	49053009	○
23,97	2,00	70 EPDM 281	49053010	○
23,97	2,49	70 EPDM 281	49053011	○
23,98	3,51	88 NBR 156	49048434	○
23,98	4,00	88 NBR 156	49048435	○
23,98	5,50	88 NBR 156	49048436	○
23,99	1,50	70 EPDM 281	49053012	○
23,99	5,50	70 EPDM 281	49053013	○
24,00	1,00	72 NBR 872	49047817	○
24,00	1,00	80 FKM 610	49049952	○
24,00	1,50	72 NBR 872	447160	●
24,00	1,50	80 FKM 610	49049953	○
24,00	2,00	70 EPDM 281	14453157	●
24,00	2,00	72 NBR 872	444682	●
24,00	2,00	80 FKM 610	449477	●
24,00	2,00	88 NBR 156	60162	●
24,00	2,50	70 EPDM 281	49047424	○
24,00	2,50	72 NBR 872	49007118	●
24,00	2,50	80 FKM 610	49049954	○
24,00	2,99	72 NBR 872	49051479	○
24,00	3,00	72 NBR 872	445617	●
24,00	3,00	80 FKM 610	14451533	●
24,00	3,00	88 NBR 156	60163	●
24,00	3,50	72 NBR 872	447484	●
24,00	3,50	80 FKM 610	49049955	○
24,00	3,53	70 EPDM 281	49053014	○
24,00	3,53	72 NBR 872	49051480	○

● Available from stock

○ On request: Tool is available, delivery at short notice



d ₁	d ₂	Material	Article No.	
24,00	4,00	72 NBR 872	445531	●
24,00	4,00	80 FKM 610	49049956	○
24,00	5,00	80 FKM 610	49049957	○
24,00	5,50	72 NBR 872	444760	●
24,00	5,50	80 FKM 610	49049958	○
24,00	7,00	70 EPDM 281	49053015	○
24,00	7,00	72 NBR 872	49051481	○
24,02	2,01	88 NBR 156	49048437	○
24,02	2,50	88 NBR 156	49048438	○
24,04	1,50	88 NBR 156	49048439	○
24,07	5,95	88 NBR 156	49048440	○
24,09	1,00	70 EPDM 281	49053016	○
24,14	3,00	70 EPDM 281	49053017	○
24,14	8,00	72 NBR 872	49051482	○
24,16	4,04	70 EPDM 281	49053018	○
24,19	3,00	88 NBR 156	49048441	○
24,20	3,00	70 EPDM 281	14453158	●
24,20	3,00	72 NBR 872	445820	●
24,20	3,00	80 FKM 610	449478	●
24,20	3,00	88 NBR 156	60164	●
24,23	2,02	72 NBR 872	49051483	○
24,23	2,52	72 NBR 872	49051484	○
24,36	2,49	70 EPDM 281	49053019	○
24,41	2,50	88 NBR 156	49048442	○
24,42	5,40	88 NBR 156	49048443	○
24,60	2,40	80 FKM 610	49049959	○
24,60	3,51	88 NBR 156	49048444	○
24,60	3,60	72 NBR 872	14451907	●
24,60	3,60	80 FKM 610	49049960	○
24,64	2,00	72 NBR 872	49051485	○
24,70	1,70	72 NBR 872	14451908	●
24,70	1,70	80 FKM 610	49049961	○
24,70	6,64	80 FKM 610	49049962	○
24,72	1,50	88 NBR 156	49048445	○
24,77	1,50	70 EPDM 281	49053020	○
24,77	5,33	70 EPDM 281	49053021	○
24,77	5,33	72 NBR 872	14451909	●
24,77	5,33	80 FKM 610	49049963	○
24,80	1,50	72 NBR 872	49047176	○
24,80	1,50	80 FKM 610	449479	●
24,80	3,00	80 FKM 610	49049964	○
24,81	1,50	88 NBR 156	49048446	○
24,83	3,43	88 NBR 156	49048447	○
24,85	5,01	88 NBR 156	49048448	○
24,86	3,53	70 EPDM 281	49053022	○
24,89	2,01	88 NBR 156	49048449	○
24,89	2,50	88 NBR 156	49048450	○
24,89	3,96	88 NBR 156	49048451	○
24,91	3,55	88 NBR 156	49048452	○
24,94	2,00	70 EPDM 281	49053023	○
24,94	2,49	70 EPDM 281	49053024	○

d ₁	d ₂	Material	Article No.	
24,95	2,59	70 EPDM 281	49053025	○
24,95	3,80	88 NBR 156	49048453	○
24,95	4,00	72 NBR 872	49051486	○
24,95	4,00	88 NBR 156	49048454	○
24,95	4,48	72 NBR 872	49051487	○
24,95	8,00	72 NBR 872	49051488	○
24,96	2,62	72 NBR 872	49051489	○
24,99	2,01	88 NBR 156	49048455	○
24,99	2,50	88 NBR 156	49048456	○
24,99	3,53	80 FKM 610	449480	●
24,99	3,53	88 NBR 156	60165	●
25,00	1,50	70 EPDM 281	14450981	●
25,00	1,50	72 NBR 872	447104	●
25,00	1,50	80 FKM 610	49049965	○
25,00	1,99	72 NBR 872	49051490	○
25,00	2,00	70 EPDM 281	447370	●
25,00	2,00	72 NBR 872	445068	●
25,00	2,00	80 FKM 610	449481	●
25,00	2,00	88 NBR 156	49047412	○
25,00	2,40	80 FKM 610	49049966	○
25,00	2,50	70 EPDM 281	447013	●
25,00	2,50	72 NBR 872	445478	●
25,00	2,50	80 FKM 610	449482	●
25,00	2,50	88 NBR 156	60168	●
25,00	3,00	70 EPDM 281	447592	●
25,00	3,00	72 NBR 872	444516	●
25,00	3,00	80 FKM 610	449483	●
25,00	3,50	70 EPDM 281	49047475	○
25,00	3,50	72 NBR 872	445621	●
25,00	3,53	70 EPDM 281	49053026	○
25,00	3,53	72 NBR 872	49051491	○
25,00	3,53	80 FKM 610	49049967	○
25,00	3,61	70 EPDM 281	49053027	○
25,00	4,00	70 EPDM 281	49047819	○
25,00	4,00	72 NBR 872	447394	●
25,00	4,00	80 FKM 610	449484	●
25,00	4,50	72 NBR 872	447655	●
25,00	5,00	70 EPDM 281	327585	●
25,00	5,00	72 NBR 872	447438	●
25,00	5,00	80 FKM 610	449485	●
25,00	6,00	72 NBR 872	49047177	○
25,00	8,00	72 NBR 872	447347	●
25,01	1,78	72 NBR 872	49051492	○
25,01	2,62	70 EPDM 281	49053028	○
25,01	3,16	88 NBR 156	49048457	○
25,03	1,78	72 NBR 872	49051493	○
25,03	1,78	88 NBR 156	49048458	○
25,05	3,61	88 NBR 156	49048459	○
25,05	4,48	88 NBR 156	49048460	○

● Available from stock

○ On request: Tool is available, delivery at short notice



d ₁	d ₂	Material	Article No.	
25,05	5,95	88 NBR 156	49048461	○
25,05	8,01	88 NBR 156	49048462	○
25,06	1,05	70 EPDM 281	49053029	○
25,06	1,78	70 EPDM 281	49053030	○
25,06	2,62	70 EPDM 281	49053031	○
25,06	2,62	72 NBR 872	49051494	○
25,06	2,62	80 FKM 610	49049968	○
25,06	2,62	88 NBR 156	49048463	○
25,07	2,62	70 EPDM 281	447593	●
25,07	2,62	72 NBR 872	446139	●
25,07	2,62	80 FKM 610	49049969	○
25,09	2,51	72 NBR 872	49051495	○
25,10	1,05	70 EPDM 281	49047620	○
25,10	1,05	80 FKM 610	49049970	○
25,10	1,60	80 FKM 610	49049971	○
25,11	1,78	88 NBR 156	49048464	○
25,12	1,78	70 EPDM 281	49047444	○
25,12	1,78	72 NBR 872	49051496	○
25,12	1,78	80 FKM 610	49049972	○
25,15	3,51	88 NBR 156	49048465	○
25,16	1,50	70 EPDM 281	49053032	○
25,17	3,00	72 NBR 872	49051497	○
25,19	2,32	88 NBR 156	49048466	○
25,20	1,50	88 NBR 156	49048467	○
25,20	3,00	70 EPDM 281	327587	●
25,20	3,00	72 NBR 872	445897	●
25,20	3,00	80 FKM 610	49047813	○
25,20	3,00	88 NBR 156	63389	●
25,24	1,52	72 NBR 872	49051498	○
25,24	2,02	72 NBR 872	49051499	○
25,24	2,52	72 NBR 872	49051500	○
25,24	3,74	88 NBR 156	49048468	○
25,26	2,40	72 NBR 872	49051501	○
25,26	3,00	88 NBR 156	49048469	○
25,28	2,40	88 NBR 156	49048470	○
25,28	3,47	88 NBR 156	49048471	○
25,30	2,39	72 NBR 872	49051502	○
25,30	2,40	70 EPDM 281	49047281	○
25,30	2,40	72 NBR 872	446117	●
25,30	2,40	80 FKM 610	449486	●
25,30	2,40	88 NBR 156	63333	●
25,36	2,02	72 NBR 872	49051503	○
25,36	2,40	72 NBR 872	49051504	○
25,46	3,20	88 NBR 156	49048472	○
25,50	3,00	80 FKM 610	49049973	○
25,50	3,20	72 NBR 872	49047178	○
25,50	5,30	72 NBR 872	447657	●
25,50	5,30	80 FKM 610	49049974	○
25,70	2,40	70 EPDM 281	49047866	○
25,71	2,40	72 NBR 872	49051505	○
25,79	1,00	70 EPDM 281	49053033	○

d ₁	d ₂	Material	Article No.	
25,80	3,53	70 EPDM 281	445790	●
25,80	3,53	72 NBR 872	49051506	○
25,80	3,53	80 FKM 610	14450859	●
25,83	2,24	88 NBR 156	49048473	○
25,83	3,51	88 NBR 156	49048474	○
25,84	1,00	88 NBR 156	49048475	○
25,86	3,57	70 EPDM 281	49053034	○
25,93	1,50	70 EPDM 281	49053035	○
25,95	2,49	70 EPDM 281	49053036	○
25,95	2,50	88 NBR 156	49048476	○
25,95	4,50	70 EPDM 281	49053037	○
25,96	2,01	88 NBR 156	49048477	○
25,96	6,00	88 NBR 156	49048478	○
25,98	1,50	88 NBR 156	49048479	○
25,99	3,49	70 EPDM 281	49053038	○
26,00	1,00	70 EPDM 281	14450648	●
26,00	1,00	72 NBR 872	49047882	○
26,00	1,00	80 FKM 610	49049975	○
26,00	1,30	80 FKM 610	49049976	○
26,00	1,32	88 NBR 156	49048480	○
26,00	1,50	72 NBR 872	14451911	●
26,00	1,50	80 FKM 610	49049977	○
26,00	2,00	70 EPDM 281	448460	●
26,00	2,00	72 NBR 872	444804	●
26,00	2,00	80 FKM 610	449487	●
26,00	2,25	88 NBR 156	49047297	○
26,00	2,50	80 FKM 610	49049978	○
26,00	2,50	88 NBR 156	49048481	○
26,00	3,00	70 EPDM 281	447594	●
26,00	3,00	72 NBR 872	445071	●
26,00	3,00	80 FKM 610	449488	●
26,00	3,50	80 FKM 610	49049979	○
26,00	4,00	80 FKM 610	49049980	○
26,00	5,00	80 FKM 610	49049981	○
26,08	3,53	72 NBR 872	49051507	○
26,12	2,09	88 NBR 156	49048482	○
26,13	3,53	70 EPDM 281	49053039	○
26,14	3,00	88 NBR 156	49048483	○
26,18	3,53	88 NBR 156	49048484	○
26,20	3,00	72 NBR 872	449020	●
26,20	3,00	80 FKM 610	49049982	○
26,20	3,00	88 NBR 156	60170	●
26,20	3,60	80 FKM 610	49049983	○
26,25	2,01	72 NBR 872	49051508	○
26,25	2,52	72 NBR 872	49051509	○
26,34	5,33	70 EPDM 281	49047794	○
26,34	5,33	72 NBR 872	49051510	○
26,34	5,33	80 FKM 610	49049984	○
26,41	3,51	88 NBR 156	49048485	○

● Available from stock

○ On request: Tool is available, delivery at short notice



d ₁	d ₂	Material	Article No.	
26,47	1,78	72 NBR 872	49051511	○
26,47	1,78	88 NBR 156	49048486	○
26,50	2,62	72 NBR 872	49051512	○
26,52	1,78	70 EPDM 281	49053040	○
26,56	2,62	70 EPDM 281	49053041	○
26,57	1,78	88 NBR 156	49048487	○
26,57	3,53	72 NBR 872	1765	●
26,58	3,53	70 EPDM 281	49053042	○
26,58	3,53	72 NBR 872	49051513	○
26,58	3,53	80 FKM 610	49049985	○
26,59	2,95	80 FKM 610	49049986	○
26,60	1,00	80 FKM 610	49049987	○
26,60	3,50	72 NBR 872	447595	●
26,61	2,62	88 NBR 156	49048488	○
26,64	2,62	70 EPDM 281	49053043	○
26,64	2,62	72 NBR 872	447596	●
26,64	2,62	80 FKM 610	49049988	○
26,64	3,05	70 EPDM 281	49053044	○
26,64	3,05	72 NBR 872	49051514	○
26,70	1,78	70 EPDM 281	533316	●
26,70	1,78	72 NBR 872	446588	●
26,70	1,78	80 FKM 610	49049989	○
26,76	1,78	88 NBR 156	49048489	○
26,79	1,78	88 NBR 156	49048490	○
26,85	1,50	88 NBR 156	49048491	○
26,98	2,49	70 EPDM 281	49053045	○
26,99	1,78	70 EPDM 281	49053046	○
26,99	1,78	72 NBR 872	49051515	○
27,00	0,70	72 NBR 872	49047942	○
27,00	1,30	80 FKM 610	49049990	○
27,00	1,50	70 EPDM 281	49047801	○
27,00	1,50	72 NBR 872	14451913	●
27,00	1,50	80 FKM 610	49047646	○
27,00	1,99	72 NBR 872	49051516	○
27,00	2,00	70 EPDM 281	49047572	○
27,00	2,00	80 FKM 610	49049991	○
27,00	2,50	72 NBR 872	444514	●
27,00	2,50	80 FKM 610	49049992	○
27,00	3,00	70 EPDM 281	49047799	○
27,00	3,00	72 NBR 872	445554	●
27,00	3,00	80 FKM 610	49049993	○
27,00	3,20	72 NBR 872	446404	●
27,00	3,20	80 FKM 610	449489	●
27,00	3,50	72 NBR 872	445898	●
27,00	3,50	80 FKM 610	49049994	○
27,00	3,51	88 NBR 156	49048492	○
27,00	4,00	72 NBR 872	447658	●
27,00	4,00	80 FKM 610	49049995	○
27,00	4,97	88 NBR 156	49048493	○
27,00	5,00	72 NBR 872	1801	●
27,00	5,95	88 NBR 156	49048494	○

d ₁	d ₂	Material	Article No.	
27,00	6,00	72 NBR 872	447485	●
27,00	6,00	80 FKM 610	49049996	○
27,04	2,50	88 NBR 156	49048495	○
27,10	1,60	80 FKM 610	49049997	○
27,15	2,01	88 NBR 156	49048496	○
27,15	3,00	70 EPDM 281	49053047	○
27,20	3,00	88 NBR 156	49048497	○
27,22	2,40	88 NBR 156	49048498	○
27,25	1,80	72 NBR 872	49051517	○
27,30	2,00	80 FKM 610	49049998	○
27,30	2,40	70 EPDM 281	49047357	○
27,30	2,40	72 NBR 872	444918	●
27,30	2,40	80 FKM 610	49049999	○
27,30	2,40	88 NBR 156	63391	●
27,33	2,40	88 NBR 156	49048499	○
27,34	1,50	88 NBR 156	49048500	○
27,40	3,00	88 NBR 156	49048501	○
27,45	3,00	70 EPDM 281	49053048	○
27,45	3,00	72 NBR 872	49051518	○
27,46	2,40	72 NBR 872	49051519	○
27,47	6,81	70 EPDM 281	49053049	○
27,50	1,50	72 NBR 872	445538	●
27,50	1,50	80 FKM 610	49050000	○
27,50	2,00	72 NBR 872	446081	●
27,50	2,00	80 FKM 610	49050001	○
27,50	2,20	80 FKM 610	49050002	○
27,50	3,00	70 EPDM 281	49047706	○
27,50	3,00	72 NBR 872	14451915	●
27,50	3,00	80 FKM 610	49050003	○
27,50	6,80	72 NBR 872	447659	●
27,50	6,80	80 FKM 610	49050004	○
27,52	6,80	88 NBR 156	49048502	○
27,60	2,40	80 FKM 610	49050005	○
27,80	2,04	70 EPDM 281	49047726	○
27,80	3,60	80 FKM 610	49050006	○
27,86	4,99	70 EPDM 281	49053050	○
27,88	4,48	88 NBR 156	49048503	○
27,89	3,97	88 NBR 156	49048504	○
27,90	2,01	88 NBR 156	49048505	○
27,90	2,50	88 NBR 156	49048506	○
27,94	3,14	72 NBR 872	49051520	○
27,94	5,01	70 EPDM 281	49053051	○
27,94	5,33	70 EPDM 281	49053052	○
27,94	5,33	72 NBR 872	49051521	○
27,94	5,33	80 FKM 610	49050007	○
27,94	8,52	72 NBR 872	49051522	○
27,95	1,50	70 EPDM 281	49053053	○
27,96	2,00	70 EPDM 281	49053054	○
27,96	2,49	70 EPDM 281	49053055	○

● Available from stock

○ On request: Tool is available, delivery at short notice



d ₁	d ₂	Material	Article No.	
27,99	5,01	88 NBR 156	49048507	○
28,00	1,00	72 NBR 872	14450969	●
28,00	1,00	80 FKM 610	14450857	●
28,00	1,50	88 NBR 156	49048508	○
28,00	2,00	70 EPDM 281	14453159	●
28,00	2,00	72 NBR 872	445701	●
28,00	2,00	80 FKM 610	449490	●
28,00	2,00	88 NBR 156	60171	●
28,00	2,50	70 EPDM 281	447094	●
28,00	2,50	72 NBR 872	445477	●
28,00	2,50	80 FKM 610	449491	●
28,00	2,50	88 NBR 156	60172	●
28,00	2,65	72 NBR 872	49051523	○
28,00	3,00	70 EPDM 281	327594	●
28,00	3,00	72 NBR 872	444684	●
28,00	3,00	80 FKM 610	14451429	●
28,00	3,15	80 FKM 610	49050008	○
28,00	3,50	70 EPDM 281	49047466	○
28,00	3,50	72 NBR 872	445933	●
28,00	3,50	80 FKM 610	449492	●
28,00	4,00	70 EPDM 281	49047546	○
28,00	4,00	72 NBR 872	446051	●
28,00	4,00	80 FKM 610	49050009	○
28,00	4,50	72 NBR 872	49047196	○
28,00	5,00	72 NBR 872	445623	●
28,00	5,00	72 NBR 872	49051524	○
28,00	5,00	80 FKM 610	49050010	○
28,01	2,01	88 NBR 156	49048509	○
28,01	2,49	72 NBR 872	49051525	○
28,01	2,50	88 NBR 156	49048510	○
28,03	3,16	88 NBR 156	49048511	○
28,03	8,44	88 NBR 156	49048512	○
28,04	3,53	72 NBR 872	49051526	○
28,05	3,14	88 NBR 156	49048513	○
28,05	8,52	88 NBR 156	49048514	○
28,08	1,50	70 EPDM 281	49053056	○
28,08	3,00	88 NBR 156	49048515	○
28,08	3,50	72 NBR 872	49051527	○
28,09	3,53	70 EPDM 281	49053057	○
28,09	6,04	88 NBR 156	49048516	○
28,10	1,00	80 FKM 610	49050011	○
28,11	2,65	88 NBR 156	49048517	○
28,11	5,52	88 NBR 156	49048518	○
28,13	1,60	88 NBR 156	49048519	○
28,13	3,00	70 EPDM 281	49053058	○
28,15	3,53	88 NBR 156	49048520	○
28,17	2,62	72 NBR 872	49051528	○
28,17	3,53	70 EPDM 281	446699	●
28,17	3,53	72 NBR 872	447224	●
28,17	3,53	80 FKM 610	49050012	○
28,17	3,53	88 NBR 156	60173	●

d ₁	d ₂	Material	Article No.	
28,18	1,00	70 EPDM 281	49053059	○
28,19	3,00	88 NBR 156	49048521	○
28,21	2,00	72 NBR 872	49051529	○
28,23	1,78	72 NBR 872	49051530	○
28,24	2,62	70 EPDM 281	49047568	○
28,24	2,62	72 NBR 872	445934	●
28,25	2,62	72 NBR 872	49051531	○
28,25	2,62	80 FKM 610	49050013	○
28,27	3,51	88 NBR 156	49048522	○
28,28	2,62	88 NBR 156	49048523	○
28,29	1,78	70 EPDM 281	49053060	○
28,29	2,62	70 EPDM 281	49053061	○
28,29	2,62	72 NBR 872	49051532	○
28,30	1,01	72 NBR 872	49051533	○
28,30	1,78	70 EPDM 281	447060	●
28,30	1,78	72 NBR 872	14451449	●
28,30	1,78	80 FKM 610	49050014	○
28,30	3,08	80 FKM 610	49050015	○
28,33	3,13	88 NBR 156	49048524	○
28,33	3,53	72 NBR 872	49051534	○
28,34	1,78	88 NBR 156	49048525	○
28,37	2,41	72 NBR 872	49051535	○
28,39	3,53	70 EPDM 281	49053062	○
28,42	4,00	72 NBR 872	49051536	○
28,44	3,53	88 NBR 156	49048526	○
28,65	2,68	72 NBR 872	49051537	○
28,83	3,57	70 EPDM 281	49053063	○
28,86	2,00	80 FKM 610	49050016	○
28,94	3,00	70 EPDM 281	49053064	○
28,94	3,00	72 NBR 872	49051538	○
28,94	6,00	70 EPDM 281	49053065	○
28,95	1,50	70 EPDM 281	49053066	○
28,95	2,53	88 NBR 156	49048527	○
28,95	3,51	88 NBR 156	49048528	○
29,00	0,70	72 NBR 872	49047943	○
29,00	1,50	80 FKM 610	49050017	○
29,00	2,00	72 NBR 872	49047400	○
29,00	2,50	70 EPDM 281	49047779	○
29,00	2,50	72 NBR 872	14451917	●
29,00	2,50	80 FKM 610	49050018	○
29,00	3,00	70 EPDM 281	49047462	○
29,00	3,00	72 NBR 872	49007130	●
29,00	3,00	80 FKM 610	449493	●
29,00	3,50	70 EPDM 281	327598	●
29,00	3,50	72 NBR 872	447660	●
29,00	3,50	80 FKM 610	49050019	○
29,10	1,60	80 FKM 610	49050020	○
29,10	2,55	72 NBR 872	445905	●
29,10	2,55	80 FKM 610	449494	●

● Available from stock

○ On request: Tool is available, delivery at short notice



d ₁	d ₂	Material	Article No.	
29,11	3,00	70 EPDM 281	49053067	○
29,16	3,00	88 NBR 156	49048529	○
29,20	3,00	70 EPDM 281	49047537	○
29,20	3,00	72 NBR 872	446406	●
29,20	3,00	80 FKM 610	449495	●
29,20	3,00	88 NBR 156	49047298	○
29,24	3,02	88 NBR 156	49048530	○
29,28	2,40	88 NBR 156	49048531	○
29,28	2,52	72 NBR 872	49051539	○
29,30	3,60	80 FKM 610	49050021	○
29,40	5,33	72 NBR 872	49051540	○
29,44	1,50	70 EPDM 281	49053068	○
29,46	5,33	70 EPDM 281	49053069	○
29,49	1,50	88 NBR 156	49048532	○
29,50	1,20	72 NBR 872	49047840	○
29,50	1,20	80 FKM 610	49050022	○
29,50	1,50	72 NBR 872	445916	●
29,50	1,50	80 FKM 610	49050023	○
29,50	3,00	80 FKM 610	49050024	○
29,50	3,60	80 FKM 610	49050025	○
29,50	4,50	72 NBR 872	49047197	○
29,51	5,33	70 EPDM 281	49053070	○
29,51	5,33	72 NBR 872	14451920	●
29,51	5,33	80 FKM 610	49050026	○
29,51	5,33	88 NBR 156	49048533	○
29,53	2,62	72 NBR 872	49051541	○
29,53	4,48	88 NBR 156	49048534	○
29,59	2,62	70 EPDM 281	49053071	○
29,60	2,40	80 FKM 610	49050027	○
29,60	2,40	88 NBR 156	49048535	○
29,60	2,90	80 FKM 610	49050028	○
29,65	2,62	88 NBR 156	49048536	○
29,69	2,62	70 EPDM 281	49053072	○
29,69	2,62	72 NBR 872	49051542	○
29,73	2,62	72 NBR 872	49051543	○
29,74	2,95	80 FKM 610	49050029	○
29,74	3,53	70 EPDM 281	448361	●
29,74	3,53	72 NBR 872	445821	●
29,74	3,53	80 FKM 610	449496	●
29,74	3,53	88 NBR 156	49046332	●
29,75	3,53	70 EPDM 281	49053073	○
29,75	3,53	72 NBR 872	49051544	○
29,75	3,53	80 FKM 610	49050030	○
29,77	1,78	72 NBR 872	49051545	○
29,79	2,62	70 EPDM 281	49053074	○
29,82	1,78	70 EPDM 281	49053075	○
29,82	2,62	70 EPDM 281	447296	●
29,82	2,62	72 NBR 872	49047605	○
29,82	2,62	80 FKM 610	49050031	○
29,84	2,50	88 NBR 156	49048537	○
29,84	2,62	88 NBR 156	49048538	○

d ₁	d ₂	Material	Article No.	
29,87	1,78	70 EPDM 281	49053076	○
29,87	1,78	72 NBR 872	49051546	○
29,87	1,78	80 FKM 610	49050032	○
29,87	1,78	88 NBR 156	60176	●
29,88	1,78	88 NBR 156	49048539	○
29,91	2,50	70 EPDM 281	49053077	○
29,91	2,50	72 NBR 872	49051547	○
29,92	1,20	70 EPDM 281	49053078	○
29,92	1,50	70 EPDM 281	49053079	○
29,92	5,01	70 EPDM 281	49053080	○
29,94	4,50	70 EPDM 281	49053081	○
29,94	4,50	72 NBR 872	49051548	○
29,94	4,99	70 EPDM 281	49053082	○
29,96	2,01	88 NBR 156	49048540	○
29,96	2,50	88 NBR 156	49048541	○
29,96	4,00	70 EPDM 281	49053083	○
29,98	1,21	88 NBR 156	49048542	○
29,98	1,50	88 NBR 156	49048543	○
29,98	3,00	70 EPDM 281	49053084	○
30,00	1,00	72 NBR 872	14451921	●
30,00	1,00	80 FKM 610	49050033	○
30,00	1,50	72 NBR 872	445822	●
30,00	1,50	80 FKM 610	49047647	○
30,00	2,00	70 EPDM 281	446487	●
30,00	2,00	72 NBR 872	445653	●
30,00	2,00	80 FKM 610	449497	●
30,00	2,50	70 EPDM 281	49047610	○
30,00	2,50	72 NBR 872	14452241	●
30,00	2,50	80 FKM 610	49050034	○
30,00	2,80	72 NBR 872	445899	●
30,00	2,80	80 FKM 610	49050035	○
30,00	3,00	70 EPDM 281	49047611	○
30,00	3,00	72 NBR 872	49007093	●
30,00	3,00	80 FKM 610	449498	●
30,00	3,00	88 NBR 156	49047679	○
30,00	3,50	72 NBR 872	445622	●
30,00	3,50	80 FKM 610	449499	●
30,00	4,00	70 EPDM 281	49047908	○
30,00	4,00	72 NBR 872	444625	●
30,00	4,00	80 FKM 610	449500	●
30,00	4,50	80 FKM 610	49050036	○
30,00	4,50	88 NBR 156	49048544	○
30,00	4,99	88 NBR 156	49048545	○
30,00	5,00	70 EPDM 281	49047700	○
30,00	5,00	72 NBR 872	445784	●
30,00	5,00	72 NBR 872	49051549	○
30,00	5,00	80 FKM 610	449501	●
30,00	7,00	70 EPDM 281	49053085	○
30,00	7,00	72 NBR 872	444764	●

● Available from stock

○ On request: Tool is available, delivery at short notice



d ₁	d ₂	Material	Article No.	
30,00	7,00	80 FKM 610	49050037	○
30,00	7,50	72 NBR 872	1993	●
30,00	8,00	72 NBR 872	446118	●
30,02	3,51	88 NBR 156	49048546	○
30,02	4,00	88 NBR 156	49048547	○
30,02	8,01	88 NBR 156	49048548	○
30,04	3,00	88 NBR 156	49048549	○
30,04	7,00	72 NBR 872	49051550	○
30,04	7,00	88 NBR 156	49048550	○
30,06	2,80	70 EPDM 281	49053086	○
30,10	4,99	70 EPDM 281	49053087	○
30,12	2,20	88 NBR 156	49048551	○
30,12	2,81	72 NBR 872	49051551	○
30,12	2,81	88 NBR 156	49048552	○
30,12	4,78	88 NBR 156	49048553	○
30,12	6,04	88 NBR 156	49048554	○
30,19	3,57	70 EPDM 281	49053088	○
30,19	3,57	72 NBR 872	49051552	○
30,20	3,00	72 NBR 872	49047198	○
30,20	3,00	80 FKM 610	449502	●
30,20	3,00	88 NBR 156	63392	●
30,23	3,53	70 EPDM 281	49053089	○
30,27	3,00	72 NBR 872	49051553	○
30,29	3,53	72 NBR 872	49051554	○
30,29	3,53	88 NBR 156	49048555	○
30,30	2,40	70 EPDM 281	447017	●
30,30	2,40	72 NBR 872	447597	●
30,30	2,40	80 FKM 610	49050038	○
30,30	2,40	88 NBR 156	49047299	○
30,33	2,40	88 NBR 156	49048556	○
30,45	2,01	88 NBR 156	49048557	○
30,50	3,03	72 NBR 872	49051555	○
30,51	2,20	72 NBR 872	49051556	○
30,55	4,02	70 EPDM 281	49053090	○
30,61	4,02	72 NBR 872	49051557	○
30,80	3,60	70 EPDM 281	49047879	○
30,80	3,60	80 FKM 610	49050039	○
30,91	4,50	70 EPDM 281	49053091	○
30,93	4,00	70 EPDM 281	49053092	○
30,95	3,20	70 EPDM 281	49053093	○
30,97	2,49	70 EPDM 281	49053094	○
30,97	4,50	72 NBR 872	49051558	○
30,97	4,50	88 NBR 156	49048558	○
30,99	4,00	72 NBR 872	49051559	○
30,99	4,00	88 NBR 156	49048559	○
31,00	1,25	72 NBR 872	49051560	○
31,00	1,50	72 NBR 872	447723	●
31,00	1,50	80 FKM 610	49047831	○
31,00	2,00	70 EPDM 281	49047687	○
31,00	2,00	72 NBR 872	445536	●
31,00	2,00	80 FKM 610	49050040	○

d ₁	d ₂	Material	Article No.	
31,00	2,50	70 EPDM 281	49047361	○
31,00	2,50	72 NBR 872	446496	●
31,00	2,50	80 FKM 610	49050041	○
31,00	3,00	70 EPDM 281	49047784	○
31,00	3,00	72 NBR 872	445573	●
31,00	3,00	80 FKM 610	49050042	○
31,00	3,50	80 FKM 610	49050043	○
31,00	4,00	72 NBR 872	446140	●
31,00	4,00	80 FKM 610	49050044	○
31,00	4,50	72 NBR 872	448658	●
31,00	4,50	80 FKM 610	49050045	○
31,00	5,00	72 NBR 872	14451922	●
31,00	5,00	80 FKM 610	49050046	○
31,00	8,00	72 NBR 872	49051561	○
31,01	3,20	72 NBR 872	49051562	○
31,03	2,01	88 NBR 156	49048560	○
31,03	2,50	88 NBR 156	49048561	○
31,06	5,33	70 EPDM 281	49053095	○
31,10	1,55	72 NBR 872	49051563	○
31,12	5,33	70 EPDM 281	49053096	○
31,12	5,33	72 NBR 872	49051564	○
31,12	5,33	80 FKM 610	49050047	○
31,12	5,33	88 NBR 156	49048562	○
31,15	3,00	70 EPDM 281	49053097	○
31,19	1,78	70 EPDM 281	49053098	○
31,20	3,00	72 NBR 872	49047199	○
31,20	3,00	88 NBR 156	49047344	○
31,23	2,01	88 NBR 156	49048563	○
31,25	1,78	72 NBR 872	49051565	○
31,25	1,78	88 NBR 156	49048564	○
31,28	3,53	70 EPDM 281	49053099	○
31,29	4,97	88 NBR 156	49048565	○
31,30	2,01	72 NBR 872	49051566	○
31,33	3,96	88 NBR 156	49048566	○
31,34	3,53	70 EPDM 281	447598	●
31,34	3,53	72 NBR 872	445631	●
31,34	3,53	80 FKM 610	49050048	○
31,34	3,53	88 NBR 156	407781	●
31,35	3,53	72 NBR 872	49051567	○
31,35	3,53	88 NBR 156	49048567	○
31,42	2,62	70 EPDM 281	49047660	○
31,42	2,62	72 NBR 872	49051568	○
31,42	2,62	80 FKM 610	49050049	○
31,42	2,62	88 NBR 156	60180	●
31,44	1,78	72 NBR 872	49051569	○
31,44	1,78	88 NBR 156	49048568	○
31,44	3,00	70 EPDM 281	49053100	○
31,47	1,78	70 EPDM 281	49047668	○
31,47	1,78	72 NBR 872	446497	●

● Available from stock

○ On request: Tool is available, delivery at short notice



d ₁	d ₂	Material	Article No.	
31,47	1,78	80 FKM 610	49050050	○
31,50	2,50	80 FKM 610	49050051	○
31,50	3,00	70 EPDM 281	49047709	○
31,50	3,00	80 FKM 610	49050052	○
31,50	3,00	88 NBR 156	49048569	○
31,50	3,15	80 FKM 610	49050053	○
31,52	2,40	72 NBR 872	49051570	○
31,56	1,78	70 EPDM 281	49053101	○
31,56	1,78	72 NBR 872	49051571	○
31,60	2,40	80 FKM 610	49050054	○
31,75	3,53	70 EPDM 281	445889	●
31,75	3,53	72 NBR 872	49051572	○
31,75	3,53	80 FKM 610	49050055	○
31,77	3,51	88 NBR 156	49048570	○
31,81	2,50	88 NBR 156	49048571	○
31,81	2,51	72 NBR 872	49051573	○
31,83	3,18	70 EPDM 281	49053102	○
31,84	3,60	70 EPDM 281	49053103	○
31,84	3,60	72 NBR 872	49051574	○
31,89	3,18	72 NBR 872	49051575	○
31,89	3,18	88 NBR 156	49048572	○
31,91	4,00	70 EPDM 281	49053104	○
31,93	3,00	70 EPDM 281	49053105	○
31,95	2,49	70 EPDM 281	49053106	○
31,95	6,20	70 EPDM 281	49053107	○
31,96	5,50	70 EPDM 281	49053108	○
31,97	4,00	72 NBR 872	49051576	○
31,97	4,00	88 NBR 156	49048573	○
31,99	3,00	72 NBR 872	49051577	○
31,99	15,00	72 NBR 872	49051578	○
32,00	1,00	70 EPDM 281	49047760	○
32,00	1,00	72 NBR 872	49047960	○
32,00	1,50	70 EPDM 281	14453160	●
32,00	1,50	72 NBR 872	49007111	●
32,00	1,50	80 FKM 610	49050056	○
32,00	1,80	72 NBR 872	49047881	○
32,00	2,00	70 EPDM 281	447369	●
32,00	2,00	72 NBR 872	49007124	●
32,00	2,00	80 FKM 610	449503	●
32,00	2,50	70 EPDM 281	49047573	○
32,00	2,50	72 NBR 872	445069	●
32,00	2,50	80 FKM 610	14451419	●
32,00	3,00	70 EPDM 281	49047547	○
32,00	3,00	72 NBR 872	445742	●
32,00	3,00	80 FKM 610	14451320	●
32,00	3,00	88 NBR 156	49047886	○
32,00	3,50	70 EPDM 281	49047673	○
32,00	3,50	72 NBR 872	448200	●
32,00	3,50	80 FKM 610	49050057	○
32,00	4,00	70 EPDM 281	49047392	○
32,00	4,00	72 NBR 872	445626	●

d ₁	d ₂	Material	Article No.	
32,00	4,00	80 FKM 610	49047648	○
32,00	4,50	80 FKM 610	49050058	○
32,00	5,00	70 EPDM 281	49047554	○
32,00	5,00	72 NBR 872	2078	●
32,00	5,00	80 FKM 610	49050059	○
32,00	5,50	72 NBR 872	446082	●
32,00	5,50	80 FKM 610	49050060	○
32,00	6,20	72 NBR 872	446066	●
32,00	6,20	80 FKM 610	49050061	○
32,00	7,00	70 EPDM 281	49053109	○
32,00	7,00	72 NBR 872	49051579	○
32,00	7,00	80 FKM 610	49050062	○
32,00	8,00	72 NBR 872	445951	●
32,00	10,00	72 NBR 872	445866	●
32,01	2,50	72 NBR 872	49051580	○
32,01	2,50	88 NBR 156	49048574	○
32,01	6,21	72 NBR 872	49051581	○
32,01	6,21	88 NBR 156	49048575	○
32,03	5,50	88 NBR 156	49048576	○
32,07	5,95	88 NBR 156	49048577	○
32,08	3,53	70 EPDM 281	49053110	○
32,10	1,60	72 NBR 872	14451925	●
32,10	1,60	80 FKM 610	49050063	○
32,12	1,82	70 EPDM 281	49053111	○
32,12	3,20	70 EPDM 281	49053112	○
32,14	3,53	88 NBR 156	49048578	○
32,15	3,53	70 EPDM 281	49053113	○
32,15	3,53	72 NBR 872	49051582	○
32,15	3,53	80 FKM 610	449504	●
32,18	1,82	72 NBR 872	49051583	○
32,18	2,50	70 EPDM 281	49053114	○
32,18	2,50	72 NBR 872	49051584	○
32,18	3,20	72 NBR 872	49051585	○
32,19	1,00	70 EPDM 281	49053115	○
32,20	3,00	72 NBR 872	448239	●
32,20	3,00	80 FKM 610	449505	●
32,20	3,00	88 NBR 156	60182	●
32,31	2,41	72 NBR 872	49051586	○
32,37	2,00	72 NBR 872	49051587	○
32,37	2,53	72 NBR 872	49051588	○
32,46	3,02	88 NBR 156	49048579	○
32,46	3,61	72 NBR 872	49051589	○
32,48	1,00	70 EPDM 281	49053116	○
32,50	2,40	72 NBR 872	49051590	○
32,50	3,60	80 FKM 610	49050064	○
32,59	2,01	72 NBR 872	49051591	○
32,59	2,01	88 NBR 156	49048580	○
32,61	5,33	70 EPDM 281	49053117	○
32,62	2,32	80 FKM 610	49050065	○

● Available from stock

○ On request: Tool is available, delivery at short notice



d ₁	d ₂	Material	Article No.	
32,64	1,78	70 EPDM 281	49053118	○
32,64	1,78	72 NBR 872	49051592	○
32,64	1,78	80 FKM 610	49050066	○
32,67	5,33	72 NBR 872	49051593	○
32,67	5,33	88 NBR 156	49048581	○
32,67	6,91	72 NBR 872	49051594	○
32,68	2,62	72 NBR 872	49051595	○
32,68	2,62	88 NBR 156	49048582	○
32,69	5,33	70 EPDM 281	49053119	○
32,69	5,33	72 NBR 872	49051596	○
32,69	5,33	80 FKM 610	49050067	○
32,70	1,30	72 NBR 872	49046264	●
32,74	1,50	70 EPDM 281	49053120	○
32,80	0,80	72 NBR 872	49047958	○
32,81	1,50	88 NBR 156	49048583	○
32,85	5,95	88 NBR 156	49048584	○
32,90	2,62	70 EPDM 281	49053121	○
32,90	3,50	72 NBR 872	446498	●
32,92	2,49	70 EPDM 281	49053122	○
32,92	3,53	70 EPDM 281	446153	●
32,92	3,53	72 NBR 872	447600	●
32,92	3,53	80 FKM 610	49050068	○
32,92	3,53	88 NBR 156	60183	●
32,94	3,00	70 EPDM 281	49053123	○
32,94	3,51	72 NBR 872	49051597	○
32,94	3,51	88 NBR 156	49048585	○
32,94	3,61	88 NBR 156	49048586	○
32,96	2,62	72 NBR 872	49051598	○
32,96	2,62	88 NBR 156	49048587	○
32,98	2,50	72 NBR 872	49051599	○
32,98	2,50	88 NBR 156	49048588	○
32,98	4,00	70 EPDM 281	49053124	○
32,98	5,07	70 EPDM 281	49053125	○
32,99	2,62	70 EPDM 281	447341	●
32,99	2,62	72 NBR 872	49051600	○
32,99	2,62	80 FKM 610	49050069	○
33,00	1,50	72 NBR 872	49047420	○
33,00	2,00	70 EPDM 281	49047569	○
33,00	2,00	72 NBR 872	445795	●
33,00	2,00	80 FKM 610	49050070	○
33,00	2,00	88 NBR 156	313601	●
33,00	2,50	72 NBR 872	448513	●
33,00	2,50	80 FKM 610	49050071	○
33,00	2,62	70 EPDM 281	49047477	○
33,00	3,00	72 NBR 872	14451926	●
33,00	3,00	80 FKM 610	49050072	○
33,00	3,50	72 NBR 872	447601	●
33,00	4,00	72 NBR 872	448536	●
33,00	4,00	80 FKM 610	49050073	○
33,00	5,00	72 NBR 872	49007092	●
33,00	5,00	80 FKM 610	449506	●

d ₁	d ₂	Material	Article No.	
33,00	7,00	70 EPDM 281	49047579	○
33,00	7,00	72 NBR 872	446755	●
33,00	7,00	80 FKM 610	49050074	○
33,04	5,07	72 NBR 872	49051601	○
33,04	5,07	88 NBR 156	49048589	○
33,05	1,78	70 EPDM 281	445755	●
33,05	1,78	72 NBR 872	447524	●
33,05	1,78	80 FKM 610	49050075	○
33,10	0,80	72 NBR 872	49047959	○
33,13	3,27	70 EPDM 281	49053126	○
33,20	3,27	72 NBR 872	49051602	○
33,20	3,55	88 NBR 156	49048590	○
33,24	1,78	70 EPDM 281	49053127	○
33,24	1,78	72 NBR 872	49051603	○
33,27	1,78	70 EPDM 281	49053128	○
33,29	1,78	72 NBR 872	49051604	○
33,29	1,78	88 NBR 156	49048591	○
33,30	2,40	70 EPDM 281	49047786	○
33,30	2,40	80 FKM 610	449507	●
33,30	2,40	88 NBR 156	63393	●
33,42	3,55	70 EPDM 281	49053129	○
33,43	4,99	70 EPDM 281	49053130	○
33,45	2,71	88 NBR 156	49048592	○
33,49	3,55	72 NBR 872	49051605	○
33,50	4,00	80 FKM 610	49050076	○
33,50	4,99	88 NBR 156	49048593	○
33,50	5,00	72 NBR 872	49051606	○
33,53	1,78	70 EPDM 281	49053131	○
33,53	1,78	72 NBR 872	49051607	○
33,53	2,62	70 EPDM 281	49053132	○
33,55	2,42	88 NBR 156	49048594	○
33,60	2,62	72 NBR 872	49051608	○
33,60	2,62	88 NBR 156	49048595	○
33,68	6,97	88 NBR 156	49048596	○
33,70	2,20	72 NBR 872	445804	●
33,70	2,20	80 FKM 610	49050077	○
33,82	5,46	88 NBR 156	49048597	○
33,91	1,20	70 EPDM 281	49053133	○
33,91	1,40	70 EPDM 281	49053134	○
33,93	4,99	70 EPDM 281	49053135	○
33,93	5,48	72 NBR 872	49051609	○
33,93	6,00	70 EPDM 281	49053136	○
33,95	4,00	70 EPDM 281	49053137	○
33,96	2,50	72 NBR 872	49051610	○
33,96	2,50	88 NBR 156	49048598	○
33,98	1,40	72 NBR 872	49051611	○
33,98	1,40	88 NBR 156	49048599	○
34,00	2,00	72 NBR 872	447237	●
34,00	2,00	80 FKM 610	49050078	○

● Available from stock

○ On request: Tool is available, delivery at short notice



d ₁	d ₂	Material	Article No.	
34,00	2,30	72 NBR 872	448425	●
34,00	2,30	80 FKM 610	49050079	○
34,00	2,30	88 NBR 156	49047895	○
34,00	2,50	80 FKM 610	49050080	○
34,00	2,99	72 NBR 872	49051612	○
34,00	3,00	72 NBR 872	445540	●
34,00	3,00	80 FKM 610	449508	●
34,00	3,25	80 FKM 610	49050081	○
34,00	3,50	72 NBR 872	49047503	○
34,00	3,50	80 FKM 610	49050082	○
34,00	4,00	72 NBR 872	446446	●
34,00	4,00	80 FKM 610	449509	●
34,00	5,00	72 NBR 872	49047797	○
34,00	5,00	80 FKM 610	49050083	○
34,00	5,33	70 EPDM 281	49053138	○
34,00	5,33	72 NBR 872	49051613	○
34,00	5,33	80 FKM 610	49050084	○
34,00	5,50	72 NBR 872	446447	●
34,00	5,50	80 FKM 610	49050085	○
34,00	6,00	72 NBR 872	49051614	○
34,00	6,00	88 NBR 156	49048600	○
34,02	4,00	88 NBR 156	49048601	○
34,10	3,60	72 NBR 872	49023896	●
34,10	3,60	80 FKM 610	49050086	○
34,15	3,57	88 NBR 156	49048602	○
34,16	3,00	70 EPDM 281	49053139	○
34,19	3,98	72 NBR 872	49051615	○
34,20	3,00	70 EPDM 281	49047378	○
34,20	3,00	72 NBR 872	445539	●
34,20	3,00	80 FKM 610	49050087	○
34,20	3,00	88 NBR 156	60184	●
34,20	4,00	80 FKM 610	49050088	○
34,23	3,00	88 NBR 156	49048603	○
34,29	5,33	70 EPDM 281	49053140	○
34,29	5,33	72 NBR 872	49051616	○
34,29	5,33	80 FKM 610	49050089	○
34,30	2,50	80 FKM 610	49050090	○
34,31	3,02	88 NBR 156	49048604	○
34,33	2,52	72 NBR 872	49051617	○
34,33	3,53	70 EPDM 281	49053141	○
34,33	3,53	72 NBR 872	49051618	○
34,36	5,33	70 EPDM 281	49053142	○
34,40	2,50	70 EPDM 281	49053143	○
34,40	2,50	72 NBR 872	49051619	○
34,42	2,62	88 NBR 156	49048605	○
34,42	3,53	70 EPDM 281	49053144	○
34,42	5,33	72 NBR 872	49051620	○
34,42	5,33	88 NBR 156	49048606	○
34,47	5,33	70 EPDM 281	49053145	○
34,47	5,33	72 NBR 872	49051621	○
34,47	5,33	80 FKM 610	49050091	○

d ₁	d ₂	Material	Article No.	
34,48	3,53	72 NBR 872	49051622	○
34,48	3,53	88 NBR 156	49048607	○
34,50	0,80	72 NBR 872	49047951	○
34,50	3,00	80 FKM 610	49050092	○
34,50	3,53	70 EPDM 281	49053146	○
34,50	3,53	72 NBR 872	49051623	○
34,50	3,55	70 EPDM 281	49047436	○
34,51	2,62	70 EPDM 281	49053147	○
34,51	2,62	72 NBR 872	49051624	○
34,52	3,53	70 EPDM 281	448514	●
34,52	3,53	72 NBR 872	447997	●
34,52	3,53	80 FKM 610	449510	●
34,52	3,53	88 NBR 156	60185	●
34,55	2,62	70 EPDM 281	49053148	○
34,59	1,78	70 EPDM 281	49053149	○
34,59	2,62	70 EPDM 281	448581	●
34,59	2,62	72 NBR 872	447928	●
34,59	2,62	80 FKM 610	49050093	○
34,60	2,40	80 FKM 610	49050094	○
34,60	2,72	80 FKM 610	49050095	○
34,62	2,62	72 NBR 872	49051625	○
34,62	2,62	88 NBR 156	49048608	○
34,64	3,00	88 NBR 156	49048609	○
34,65	1,78	70 EPDM 281	447362	●
34,65	1,78	72 NBR 872	447525	●
34,65	1,78	80 FKM 610	449511	●
34,66	1,78	72 NBR 872	49051626	○
34,66	1,78	88 NBR 156	49048610	○
34,70	2,32	72 NBR 872	49047850	○
34,70	2,32	80 FKM 610	49050096	○
34,70	3,50	80 FKM 610	49050097	○
34,75	1,78	70 EPDM 281	49053150	○
34,75	1,78	72 NBR 872	49051627	○
34,84	1,78	70 EPDM 281	49053151	○
34,84	1,78	72 NBR 872	49051628	○
34,88	1,50	70 EPDM 281	49053152	○
34,88	1,78	70 EPDM 281	49053153	○
34,88	1,78	72 NBR 872	49051629	○
34,90	2,00	80 FKM 610	49050098	○
34,90	4,99	70 EPDM 281	49053154	○
34,92	4,00	70 EPDM 281	49053155	○
34,93	3,00	70 EPDM 281	49053156	○
34,93	3,00	72 NBR 872	49051630	○
34,93	6,00	70 EPDM 281	49053157	○
34,95	1,50	72 NBR 872	49051631	○
34,95	1,50	88 NBR 156	49048611	○
34,96	2,00	70 EPDM 281	49053158	○
34,96	2,49	70 EPDM 281	49053159	○
34,97	4,99	88 NBR 156	49048612	○

● Available from stock

○ On request: Tool is available, delivery at short notice

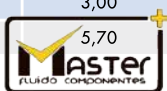


d ₁	d ₂	Material	Article No.	
34,97	5,00	72 NBR 872	49051632	○
34,99	1,78	70 EPDM 281	49053160	○
34,99	1,78	72 NBR 872	49051633	○
34,99	4,00	72 NBR 872	49051634	○
34,99	4,00	88 NBR 156	49048613	○
34,99	4,48	72 NBR 872	49051635	○
34,99	4,48	88 NBR 156	49048614	○
35,00	1,00	80 FKM 610	49050099	○
35,00	1,50	80 FKM 610	49050100	○
35,00	2,00	70 EPDM 281	14453161	●
35,00	2,00	72 NBR 872	444770	●
35,00	2,00	80 FKM 610	449512	●
35,00	2,00	88 NBR 156	60187	●
35,00	2,50	70 EPDM 281	533317	●
35,00	2,50	72 NBR 872	445745	●
35,00	2,50	80 FKM 610	49050101	○
35,00	3,00	70 EPDM 281	49047601	○
35,00	3,00	72 NBR 872	448688	●
35,00	3,00	80 FKM 610	14450596	●
35,00	3,20	72 NBR 872	446178	●
35,00	3,20	80 FKM 610	49050102	○
35,00	4,00	70 EPDM 281	49047465	○
35,00	4,00	72 NBR 872	447248	●
35,00	4,00	80 FKM 610	449513	●
35,00	4,50	72 NBR 872	447698	●
35,00	4,50	80 FKM 610	49050103	○
35,00	5,00	70 EPDM 281	448666	●
35,00	5,00	72 NBR 872	445688	●
35,00	5,00	80 FKM 610	449514	●
35,00	6,00	70 EPDM 281	49047707	○
35,00	6,00	80 FKM 610	49050104	○
35,00	6,00	88 NBR 156	49048615	○
35,00	7,00	70 EPDM 281	49053161	○
35,00	7,00	72 NBR 872	445906	●
35,00	7,00	80 FKM 610	49050105	○
35,00	8,02	72 NBR 872	49051636	○
35,01	7,00	72 NBR 872	49051637	○
35,01	7,00	88 NBR 156	49048616	○
35,03	1,78	70 EPDM 281	49053162	○
35,03	2,01	88 NBR 156	49048617	○
35,03	2,50	88 NBR 156	49048618	○
35,03	2,98	88 NBR 156	49048619	○
35,10	1,60	80 FKM 610	49050106	○
35,10	1,78	72 NBR 872	49051638	○
35,10	1,78	88 NBR 156	49048620	○
35,14	2,99	70 EPDM 281	49053163	○
35,18	5,69	70 EPDM 281	49053164	○
35,20	3,00	72 NBR 872	448667	●
35,20	3,00	80 FKM 610	449515	●
35,20	3,00	88 NBR 156	63397	●
35,20	5,70	72 NBR 872	445907	●

d ₁	d ₂	Material	Article No.	
35,20	5,70	80 FKM 610	49050107	○
35,20	5,70	88 NBR 156	63394	●
35,24	5,69	88 NBR 156	49048621	○
35,27	6,06	72 NBR 872	49051639	○
35,28	3,22	88 NBR 156	49048622	○
35,30	2,51	88 NBR 156	49048623	○
35,30	3,00	70 EPDM 281	14450632	●
35,34	3,00	72 NBR 872	49051640	○
35,40	1,78	70 EPDM 281	49053165	○
35,40	1,78	72 NBR 872	49051641	○
35,40	1,78	80 FKM 610	49050108	○
35,40	3,20	80 FKM 610	49050109	○
35,48	3,06	70 EPDM 281	49053166	○
35,48	3,41	88 NBR 156	49048624	○
35,50	3,00	80 FKM 610	49050110	○
35,50	4,00	80 FKM 610	49050111	○
35,52	3,23	72 NBR 872	49051642	○
35,52	3,23	88 NBR 156	49048625	○
35,55	3,06	72 NBR 872	49051643	○
35,55	3,06	88 NBR 156	49048626	○
35,57	3,01	70 EPDM 281	49053167	○
35,60	3,60	80 FKM 610	49050112	○
35,64	3,01	72 NBR 872	49051644	○
35,78	4,99	70 EPDM 281	49053168	○
35,92	1,99	72 NBR 872	49051645	○
35,93	2,00	70 EPDM 281	49053169	○
35,93	2,49	70 EPDM 281	49053170	○
35,95	1,50	70 EPDM 281	49053171	○
35,96	3,51	72 NBR 872	49051646	○
35,97	4,99	70 EPDM 281	49053172	○
36,00	1,50	72 NBR 872	14451930	●
36,00	1,50	80 FKM 610	49050113	○
36,00	1,60	80 FKM 610	49050114	○
36,00	2,00	70 EPDM 281	49047445	○
36,00	2,00	72 NBR 872	49007097	●
36,00	2,00	80 FKM 610	49050115	○
36,00	2,01	88 NBR 156	49048627	○
36,00	2,20	80 FKM 610	49050116	○
36,00	2,40	70 EPDM 281	49047931	○
36,00	2,50	70 EPDM 281	49047780	○
36,00	2,50	72 NBR 872	49047453	○
36,00	2,50	80 FKM 610	49050117	○
36,00	2,50	88 NBR 156	49048628	○
36,00	3,00	70 EPDM 281	49047725	○
36,00	3,00	72 NBR 872	446597	●
36,00	3,00	80 FKM 610	49050118	○
36,00	3,00	88 NBR 156	60188	●
36,00	3,50	72 NBR 872	49047627	○
36,00	3,96	88 NBR 156	49048629	○

● Available from stock

○ On request: Tool is available, delivery at short notice



d ₁	d ₂	Material	Article No.	
36,00	4,00	72 NBR 872	445555	●
36,00	4,00	80 FKM 610	49050119	○
36,00	5,00	72 NBR 872	444530	●
36,00	5,00	80 FKM 610	49050120	○
36,00	10,00	72 NBR 872	49051647	○
36,02	3,53	70 EPDM 281	49053173	○
36,04	4,99	88 NBR 156	49048630	○
36,07	1,78	70 EPDM 281	49053174	○
36,07	1,78	72 NBR 872	49051648	○
36,07	1,78	80 FKM 610	49050121	○
36,09	2,62	70 EPDM 281	49053175	○
36,09	3,53	70 EPDM 281	49047563	○
36,09	3,53	72 NBR 872	49051649	○
36,09	3,53	80 FKM 610	49050122	○
36,09	3,53	88 NBR 156	49048631	○
36,11	2,62	70 EPDM 281	49053176	○
36,11	3,00	70 EPDM 281	49053177	○
36,15	5,69	70 EPDM 281	49053178	○
36,16	2,62	72 NBR 872	49051650	○
36,17	2,00	72 NBR 872	49051651	○
36,17	2,62	70 EPDM 281	49047708	○
36,17	2,62	72 NBR 872	445867	●
36,17	2,62	80 FKM 610	14450597	●
36,17	2,62	88 NBR 156	49047732	○
36,18	2,62	72 NBR 872	49051652	○
36,18	3,00	72 NBR 872	49051653	○
36,18	3,00	88 NBR 156	49048632	○
36,20	1,40	80 FKM 610	49050123	○
36,20	3,00	70 EPDM 281	49047949	○
36,20	3,00	72 NBR 872	445507	●
36,20	3,00	80 FKM 610	449516	●
36,20	3,00	88 NBR 156	60189	●
36,20	5,70	88 NBR 156	49047332	○
36,23	1,78	70 EPDM 281	49053179	○
36,25	5,05	70 EPDM 281	49053180	○
36,26	3,51	88 NBR 156	49048633	○
36,30	1,78	72 NBR 872	49051654	○
36,30	1,78	88 NBR 156	49048634	○
36,30	2,62	70 EPDM 281	49053181	○
36,30	2,62	72 NBR 872	49051655	○
36,32	5,05	72 NBR 872	49051656	○
36,35	3,02	88 NBR 156	49048635	○
36,50	1,00	72 NBR 872	445908	●
36,50	1,00	80 FKM 610	49050124	○
36,50	1,60	80 FKM 610	49050125	○
36,50	1,80	80 FKM 610	49050126	○
36,50	2,00	72 NBR 872	49007091	●
36,50	2,00	80 FKM 610	49050127	○
36,50	3,50	80 FKM 610	49050128	○
36,50	3,75	72 NBR 872	447666	●
36,50	3,75	80 FKM 610	49050129	○

d ₁	d ₂	Material	Article No.	
36,50	4,51	72 NBR 872	49051657	○
36,51	3,53	70 EPDM 281	49047393	○
36,63	2,40	80 FKM 610	49050130	○
36,71	2,65	72 NBR 872	49051658	○
36,78	2,40	72 NBR 872	49051659	○
36,85	2,62	70 EPDM 281	49053182	○
36,85	2,62	72 NBR 872	49051660	○
36,85	2,62	80 FKM 610	49050131	○
36,90	5,02	70 EPDM 281	49053183	○
36,91	2,00	70 EPDM 281	49053184	○
36,91	2,79	70 EPDM 281	49053185	○
36,93	1,50	70 EPDM 281	49053186	○
36,93	4,00	70 EPDM 281	49053187	○
36,93	4,99	70 EPDM 281	49053188	○
36,93	6,00	70 EPDM 281	49053189	○
36,97	5,02	72 NBR 872	49051661	○
36,98	2,01	88 NBR 156	49048636	○
36,98	2,79	72 NBR 872	49051662	○
37,00	1,50	72 NBR 872	49047694	○
37,00	1,50	80 FKM 610	49050132	○
37,00	2,00	70 EPDM 281	49047454	○
37,00	2,00	72 NBR 872	444508	●
37,00	2,00	80 FKM 610	449517	●
37,00	2,50	80 FKM 610	49050133	○
37,00	3,00	80 FKM 610	49050134	○
37,00	3,50	80 FKM 610	49050135	○
37,00	4,00	70 EPDM 281	14453162	●
37,00	4,00	72 NBR 872	14451934	●
37,00	4,00	72 NBR 872	49051663	○
37,00	4,00	80 FKM 610	49050136	○
37,00	4,00	88 NBR 156	49048637	○
37,00	5,00	72 NBR 872	49051664	○
37,00	5,00	80 FKM 610	49050137	○
37,00	6,00	72 NBR 872	49051665	○
37,10	1,60	72 NBR 872	49047500	○
37,10	1,60	80 FKM 610	49050138	○
37,11	1,99	72 NBR 872	49051666	○
37,15	3,00	72 NBR 872	49051667	○
37,15	3,00	88 NBR 156	49048638	○
37,20	3,00	70 EPDM 281	49047856	○
37,20	3,00	72 NBR 872	445674	●
37,20	3,00	88 NBR 156	49047333	○
37,20	5,70	88 NBR 156	63400	●
37,23	5,65	88 NBR 156	49048639	○
37,30	3,60	80 FKM 610	49050139	○
37,39	5,33	70 EPDM 281	49053190	○
37,47	5,33	72 NBR 872	49051668	○
37,47	5,33	80 FKM 610	449518	●
37,47	5,33	88 NBR 156	49048640	○

● Available from stock

○ On request: Tool is available, delivery at short notice



d ₁	d ₂	Material	Article No.	
37,50	3,00	80 FKM 610	49050140	○
37,60	2,40	80 FKM 610	49050141	○
37,63	3,53	70 EPDM 281	49053191	○
37,65	2,62	70 EPDM 281	49053192	○
37,66	2,50	88 NBR 156	49048641	○
37,69	3,53	70 EPDM 281	14450340	●
37,69	3,53	72 NBR 872	445675	●
37,69	3,53	80 FKM 610	49050142	○
37,69	3,53	88 NBR 156	49047300	○
37,70	1,78	70 EPDM 281	49053193	○
37,70	3,53	72 NBR 872	49051669	○
37,72	2,62	72 NBR 872	49051670	○
37,72	2,62	88 NBR 156	49048642	○
37,76	3,96	88 NBR 156	49048643	○
37,77	2,62	70 EPDM 281	49047394	○
37,77	2,62	72 NBR 872	49051671	○
37,77	2,62	80 FKM 610	49050143	○
37,78	1,78	72 NBR 872	49051672	○
37,78	1,78	88 NBR 156	49048644	○
37,78	7,95	88 NBR 156	49048645	○
37,82	1,78	70 EPDM 281	49053194	○
37,82	1,78	72 NBR 872	49051673	○
37,82	1,78	80 FKM 610	49050144	○
37,82	5,95	88 NBR 156	49048646	○
37,88	2,00	70 EPDM 281	49053195	○
37,92	2,50	70 EPDM 281	49053196	○
37,92	4,50	70 EPDM 281	49053197	○
37,92	4,99	70 EPDM 281	49053198	○
37,94	1,78	70 EPDM 281	49053199	○
37,94	1,78	72 NBR 872	49051674	○
37,95	2,01	88 NBR 156	49048647	○
37,95	2,50	72 NBR 872	49051675	○
37,95	2,50	88 NBR 156	49048648	○
37,95	2,98	88 NBR 156	49048649	○
37,98	5,01	70 EPDM 281	49053200	○
37,99	2,50	72 NBR 872	49051676	○
37,99	2,50	88 NBR 156	49048650	○
37,99	4,50	72 NBR 872	49051677	○
37,99	4,50	88 NBR 156	49048651	○
37,99	4,99	88 NBR 156	49048652	○
37,99	5,00	72 NBR 872	49051678	○
38,00	1,00	80 FKM 610	49050145	○
38,00	1,50	72 NBR 872	14451937	●
38,00	1,50	80 FKM 610	49047832	○
38,00	1,60	72 NBR 872	49051679	○
38,00	2,00	70 EPDM 281	49047509	○
38,00	2,00	72 NBR 872	444809	●
38,00	2,00	80 FKM 610	449519	●
38,00	2,50	70 EPDM 281	448580	●
38,00	2,50	72 NBR 872	447167	●
38,00	2,50	80 FKM 610	49050146	○

d ₁	d ₂	Material	Article No.	
38,00	2,50	88 NBR 156	49047351	○
38,00	2,62	70 EPDM 281	49053201	○
38,00	2,62	72 NBR 872	49051680	○
38,00	3,00	70 EPDM 281	447258	●
38,00	3,00	72 NBR 872	444784	●
38,00	3,00	80 FKM 610	449520	●
38,00	3,00	88 NBR 156	60191	●
38,00	3,50	72 NBR 872	447724	●
38,00	4,00	70 EPDM 281	49047603	○
38,00	4,00	72 NBR 872	445935	●
38,00	4,00	80 FKM 610	449521	●
38,00	4,00	88 NBR 156	49047910	○
38,00	4,50	70 EPDM 281	49047395	○
38,00	4,50	72 NBR 872	447168	●
38,00	4,50	80 FKM 610	49050147	○
38,00	5,00	70 EPDM 281	449032	●
38,00	5,00	72 NBR 872	447604	●
38,00	5,00	80 FKM 610	49050148	○
38,00	7,00	70 EPDM 281	49053202	○
38,00	7,00	72 NBR 872	49051681	○
38,00	7,00	80 FKM 610	49050149	○
38,00	8,00	72 NBR 872	446184	●
38,01	7,03	88 NBR 156	49048653	○
38,02	3,53	70 EPDM 281	49053203	○
38,04	1,78	70 EPDM 281	49053204	○
38,04	1,78	72 NBR 872	49051682	○
38,05	5,00	72 NBR 872	49051683	○
38,07	4,99	70 EPDM 281	49053205	○
38,09	3,53	72 NBR 872	49051684	○
38,09	3,53	88 NBR 156	49048654	○
38,10	2,01	72 NBR 872	49051685	○
38,10	3,53	70 EPDM 281	447301	●
38,10	3,53	72 NBR 872	49051686	○
38,10	3,53	80 FKM 610	49050150	○
38,15	5,00	72 NBR 872	49051687	○
38,22	1,78	70 EPDM 281	49053206	○
38,22	1,78	72 NBR 872	49051688	○
38,22	3,00	72 NBR 872	49051689	○
38,30	3,02	88 NBR 156	49048655	○
38,34	2,01	88 NBR 156	49048656	○
38,44	2,32	80 FKM 610	49050151	○
38,50	2,50	80 FKM 610	49050152	○
38,50	3,50	72 NBR 872	2407	●
38,60	1,50	80 FKM 610	49050153	○
38,64	2,55	70 EPDM 281	49053207	○
38,64	2,55	72 NBR 872	49051690	○
38,87	1,50	70 EPDM 281	49053208	○
38,90	1,52	72 NBR 872	49051691	○
38,92	2,99	70 EPDM 281	49053209	○

● Available from stock

○ On request: Tool is available, delivery at short notice



d ₁	d ₂	Material	Article No.	
38,92	2,99	72 NBR 872	49051692	○
38,95	1,50	72 NBR 872	49051693	○
38,95	1,50	88 NBR 156	49048657	○
38,95	2,00	70 EPDM 281	49053210	○
38,95	2,49	70 EPDM 281	49053211	○
39,00	1,40	80 FKM 610	49050154	○
39,00	2,00	70 EPDM 281	49047669	○
39,00	2,00	72 NBR 872	446047	●
39,00	2,00	80 FKM 610	49050155	○
39,00	2,50	72 NBR 872	49047838	○
39,00	2,50	80 FKM 610	449522	●
39,00	3,00	70 EPDM 281	14453163	●
39,00	3,00	72 NBR 872	449019	●
39,00	3,00	80 FKM 610	49047823	○
39,00	4,00	80 FKM 610	449523	●
39,00	5,50	72 NBR 872	49047379	○
39,03	2,01	88 NBR 156	49048658	○
39,03	2,50	88 NBR 156	49048659	○
39,03	3,96	88 NBR 156	49048660	○
39,12	2,98	88 NBR 156	49048661	○
39,20	3,00	70 EPDM 281	447087	●
39,20	3,00	72 NBR 872	445785	●
39,20	3,00	80 FKM 610	449524	●
39,20	3,00	88 NBR 156	60192	●
39,20	5,70	72 NBR 872	445882	●
39,20	5,70	80 FKM 610	449525	●
39,27	5,05	70 EPDM 281	49053212	○
39,32	3,00	70 EPDM 281	49053213	○
39,34	2,62	70 EPDM 281	448113	●
39,34	2,62	72 NBR 872	49051694	○
39,34	2,62	80 FKM 610	49050156	○
39,35	5,05	72 NBR 872	49051695	○
39,38	3,02	88 NBR 156	49048662	○
39,40	3,00	72 NBR 872	49051696	○
39,40	3,00	88 NBR 156	49048663	○
39,45	1,78	70 EPDM 281	49053214	○
39,45	1,78	72 NBR 872	49051697	○
39,45	1,78	80 FKM 610	49050157	○
39,57	2,62	70 EPDM 281	49053215	○
39,57	2,62	72 NBR 872	49051698	○
39,60	2,40	72 NBR 872	14451938	●
39,60	2,40	80 FKM 610	49050158	○
39,61	1,78	70 EPDM 281	49053216	○
39,61	2,01	88 NBR 156	49048664	○
39,69	1,78	72 NBR 872	49051699	○
39,69	1,78	88 NBR 156	49048665	○
39,69	3,53	70 EPDM 281	327630	●
39,69	3,53	72 NBR 872	447606	●
39,69	3,53	80 FKM 610	49050159	○
39,77	2,77	70 EPDM 281	49053217	○
39,80	2,20	80 FKM 610	49050160	○

d ₁	d ₂	Material	Article No.	
39,84	3,05	70 EPDM 281	49053218	○
39,84	3,05	72 NBR 872	49051700	○
39,86	3,51	88 NBR 156	49048666	○
39,88	4,00	70 EPDM 281	49053219	○
39,92	2,00	70 EPDM 281	49053220	○
39,92	2,49	70 EPDM 281	49053221	○
39,94	1,50	70 EPDM 281	49053222	○
39,94	5,50	70 EPDM 281	49053223	○
39,96	4,00	72 NBR 872	49051701	○
39,96	4,00	88 NBR 156	49048667	○
39,96	8,00	72 NBR 872	49051702	○
40,00	1,00	80 FKM 610	49050161	○
40,00	1,50	70 EPDM 281	49047421	○
40,00	1,50	72 NBR 872	445642	●
40,00	1,50	80 FKM 610	49050162	○
40,00	1,99	72 NBR 872	49051703	○
40,00	2,00	70 EPDM 281	446133	●
40,00	2,00	72 NBR 872	445523	●
40,00	2,00	80 FKM 610	14450997	●
40,00	2,01	88 NBR 156	49048668	○
40,00	2,50	70 EPDM 281	447607	●
40,00	2,50	72 NBR 872	49004073	●
40,00	2,50	80 FKM 610	49050163	○
40,00	2,50	88 NBR 156	49048669	○
40,00	3,00	70 EPDM 281	449018	●
40,00	3,00	72 NBR 872	444681	●
40,00	3,00	80 FKM 610	449654	●
40,00	3,15	72 NBR 872	49047905	○
40,00	3,50	72 NBR 872	14451939	●
40,00	3,50	80 FKM 610	49050164	○
40,00	3,51	70 EPDM 281	49053224	○
40,00	3,55	72 NBR 872	49047782	○
40,00	3,98	72 NBR 872	49051704	○
40,00	4,00	70 EPDM 281	446129	●
40,00	4,00	72 NBR 872	446162	●
40,00	4,00	80 FKM 610	49050165	○
40,00	4,50	72 NBR 872	447671	●
40,00	4,50	80 FKM 610	49050166	○
40,00	5,00	70 EPDM 281	49047452	○
40,00	5,00	72 NBR 872	446548	●
40,00	5,00	80 FKM 610	449526	●
40,00	5,00	88 NBR 156	49047470	○
40,00	5,30	72 NBR 872	49047781	○
40,00	5,50	72 NBR 872	445823	●
40,00	5,50	80 FKM 610	49050167	○
40,00	6,00	72 NBR 872	445805	●
40,00	6,00	80 FKM 610	49050168	○
40,00	8,00	72 NBR 872	49047695	○
40,00	10,00	72 NBR 872	49051705	○

● Available from stock

○ On request: Tool is available, delivery at short notice



d ₁	d ₂	Material	Article No.	
40,02	1,50	88 NBR 156	49048670	○
40,02	5,50	88 NBR 156	49048671	○
40,06	4,97	88 NBR 156	49048672	○
40,06	5,95	88 NBR 156	49048673	○
40,08	3,51	72 NBR 872	49051706	○
40,08	4,52	70 EPDM 281	49053225	○
40,08	5,01	70 EPDM 281	49053226	○
40,10	3,00	70 EPDM 281	49053227	○
40,16	4,52	72 NBR 872	49051707	○
40,16	4,52	88 NBR 156	49048674	○
40,16	5,00	72 NBR 872	49051708	○
40,18	3,00	72 NBR 872	49051709	○
40,18	3,00	88 NBR 156	49048675	○
40,19	2,51	72 NBR 872	49051710	○
40,20	3,00	72 NBR 872	447169	●
40,20	3,00	88 NBR 156	60210	●
40,23	4,00	72 NBR 872	49051711	○
40,27	3,58	70 EPDM 281	49053228	○
40,32	5,30	70 EPDM 281	49053229	○
40,35	3,58	72 NBR 872	49051712	○
40,40	5,30	72 NBR 872	49051713	○
40,45	4,99	70 EPDM 281	49053230	○
40,50	5,00	80 FKM 610	49050169	○
40,53	4,99	88 NBR 156	49048676	○
40,56	5,30	70 EPDM 281	49053231	○
40,56	5,33	70 EPDM 281	49053232	○
40,58	2,62	70 EPDM 281	49053233	○
40,58	3,00	72 NBR 872	49051714	○
40,62	1,78	70 EPDM 281	49053234	○
40,64	5,30	72 NBR 872	49051715	○
40,64	5,33	70 EPDM 281	446545	●
40,64	5,33	72 NBR 872	49047606	○
40,64	5,33	80 FKM 610	49050170	○
40,64	5,33	88 NBR 156	60211	●
40,66	2,62	72 NBR 872	49051716	○
40,66	2,62	88 NBR 156	49048677	○
40,66	3,00	72 NBR 872	49051717	○
40,70	1,78	72 NBR 872	49051718	○
40,70	1,78	88 NBR 156	49048678	○
40,72	5,33	72 NBR 872	49051719	○
40,72	5,33	88 NBR 156	49048679	○
40,74	3,53	70 EPDM 281	49053235	○
40,80	5,33	70 EPDM 281	49053236	○
40,80	5,33	72 NBR 872	49051720	○
40,82	3,53	72 NBR 872	49051721	○
40,82	3,53	88 NBR 156	49048680	○
40,87	3,53	70 EPDM 281	447289	●
40,87	3,53	72 NBR 872	49051722	○
40,87	3,53	80 FKM 610	449527	●
40,88	2,62	70 EPDM 281	49053237	○
40,94	2,62	70 EPDM 281	448516	●

d ₁	d ₂	Material	Article No.	
40,94	5,65	88 NBR 156	49048681	○
40,95	2,62	70 EPDM 281	49053238	○
40,95	2,62	72 NBR 872	49047623	○
40,95	2,62	80 FKM 610	49050171	○
40,96	2,62	72 NBR 872	49051723	○
40,96	2,62	88 NBR 156	49048682	○
40,99	1,60	72 NBR 872	49051724	○
40,99	1,60	88 NBR 156	49048683	○
40,99	1,78	70 EPDM 281	445834	●
40,99	1,78	88 NBR 156	49047301	○
41,00	1,78	70 EPDM 281	49047796	○
41,00	1,78	72 NBR 872	49051725	○
41,00	1,78	80 FKM 610	49050172	○
41,00	2,00	70 EPDM 281	49047766	○
41,00	2,50	80 FKM 610	49050173	○
41,00	3,00	80 FKM 610	49050174	○
41,00	4,00	72 NBR 872	447454	●
41,00	4,00	80 FKM 610	49050175	○
41,00	5,00	72 NBR 872	445917	●
41,00	5,00	80 FKM 610	49050176	○
41,07	3,00	70 EPDM 281	49053239	○
41,15	3,00	72 NBR 872	49051726	○
41,15	3,00	88 NBR 156	49048684	○
41,19	2,62	70 EPDM 281	49053240	○
41,20	3,00	72 NBR 872	449015	●
41,20	3,00	80 FKM 610	49050177	○
41,20	3,00	88 NBR 156	49047334	○
41,20	5,70	72 NBR 872	445683	●
41,20	5,70	80 FKM 610	49050178	○
41,20	5,70	88 NBR 156	49047335	○
41,26	3,53	70 EPDM 281	49053241	○
41,26	3,53	72 NBR 872	49051727	○
41,27	2,40	72 NBR 872	49051728	○
41,28	3,53	70 EPDM 281	49053242	○
41,28	3,53	72 NBR 872	49051729	○
41,28	3,53	80 FKM 610	49050179	○
41,32	3,53	70 EPDM 281	49053243	○
41,36	3,57	88 NBR 156	49048685	○
41,37	1,78	70 EPDM 281	49053244	○
41,37	1,78	72 NBR 872	49051730	○
41,37	1,78	80 FKM 610	49050180	○
41,40	3,53	72 NBR 872	49051731	○
41,40	3,53	88 NBR 156	49048686	○
41,48	2,00	70 EPDM 281	49053245	○
41,50	2,00	72 NBR 872	49047776	○
41,50	2,00	80 FKM 610	49050181	○
41,56	2,01	88 NBR 156	49048687	○
41,56	3,31	70 EPDM 281	49053246	○
41,60	2,40	80 FKM 610	49050182	○

● Available from stock

○ On request: Tool is available, delivery at short notice



d ₁	d ₂	Material	Article No.	
41,64	3,31	72 NBR 872	49051732	○
41,69	1,50	70 EPDM 281	49053247	○
41,75	7,97	72 NBR 872	49051733	○
41,75	7,97	88 NBR 156	49048688	○
41,77	1,50	88 NBR 156	49048689	○
41,87	2,00	70 EPDM 281	49053248	○
41,87	6,00	70 EPDM 281	49053249	○
41,88	8,07	72 NBR 872	49051734	○
41,88	8,07	88 NBR 156	49048690	○
41,89	1,50	70 EPDM 281	49053250	○
41,91	4,50	70 EPDM 281	49053251	○
41,91	4,99	70 EPDM 281	49053252	○
41,93	4,00	70 EPDM 281	49053253	○
41,95	2,01	88 NBR 156	49048691	○
41,95	2,70	70 EPDM 281	49053254	○
41,95	6,00	72 NBR 872	49051735	○
41,96	2,49	70 EPDM 281	49053255	○
41,96	2,69	70 EPDM 281	49053256	○
41,97	1,50	72 NBR 872	49051736	○
41,99	4,05	70 EPDM 281	49053257	○
41,99	4,50	72 NBR 872	49051737	○
41,99	4,50	88 NBR 156	49048692	○
41,99	4,99	88 NBR 156	49048693	○
41,99	5,00	72 NBR 872	49051738	○
42,00	1,00	72 NBR 872	445868	●
42,00	1,00	80 FKM 610	49050183	○
42,00	1,50	72 NBR 872	447608	●
42,00	1,50	80 FKM 610	49050184	○
42,00	2,00	70 EPDM 281	447364	●
42,00	2,00	72 NBR 872	445076	●
42,00	2,00	80 FKM 610	49050185	○
42,00	2,50	70 EPDM 281	49047373	○
42,00	2,50	72 NBR 872	444810	●
42,00	2,50	80 FKM 610	449528	●
42,00	2,70	72 NBR 872	49047200	○
42,00	3,00	72 NBR 872	445673	●
42,00	3,00	80 FKM 610	449529	●
42,00	3,50	72 NBR 872	446142	●
42,00	3,50	80 FKM 610	49050186	○
42,00	3,53	70 EPDM 281	49053258	○
42,00	3,53	72 NBR 872	49051739	○
42,00	3,53	80 FKM 610	49050187	○
42,00	4,00	70 EPDM 281	447259	●
42,00	4,00	72 NBR 872	445079	●
42,00	4,00	80 FKM 610	14451536	●
42,00	4,21	72 NBR 872	49051740	○
42,00	4,50	72 NBR 872	49047201	○
42,00	5,00	70 EPDM 281	447381	●
42,00	5,00	72 NBR 872	447441	●
42,00	5,00	80 FKM 610	449530	●
42,00	7,00	72 NBR 872	49051741	○

d ₁	d ₂	Material	Article No.	
42,00	7,00	88 NBR 156	49048694	○
42,00	8,00	72 NBR 872	446083	●
42,00	8,00	72 NBR 872	49051742	○
42,00	10,00	72 NBR 872	49051743	○
42,01	3,51	72 NBR 872	49051744	○
42,01	3,51	88 NBR 156	49048695	○
42,01	4,00	72 NBR 872	49051745	○
42,01	4,00	88 NBR 156	49048696	○
42,03	2,71	88 NBR 156	49048697	○
42,05	2,50	88 NBR 156	49048698	○
42,05	2,69	88 NBR 156	49048699	○
42,08	4,05	72 NBR 872	49051746	○
42,08	4,05	88 NBR 156	49048700	○
42,20	3,00	72 NBR 872	445708	●
42,20	3,00	80 FKM 610	449531	●
42,20	3,00	88 NBR 156	60213	●
42,24	2,98	88 NBR 156	49048701	○
42,37	5,30	70 EPDM 281	49053259	○
42,40	2,70	80 FKM 610	49050188	○
42,40	4,05	80 FKM 610	49050189	○
42,41	3,00	70 EPDM 281	49053260	○
42,44	5,33	70 EPDM 281	49053261	○
42,46	5,30	72 NBR 872	49051747	○
42,50	3,00	72 NBR 872	49051748	○
42,52	2,62	70 EPDM 281	447609	●
42,52	2,62	72 NBR 872	446143	●
42,52	2,62	80 FKM 610	49050190	○
42,52	4,08	70 EPDM 281	49053262	○
42,52	5,33	72 NBR 872	49051749	○
42,52	5,33	88 NBR 156	49048702	○
42,56	4,06	72 NBR 872	49051750	○
42,59	2,72	70 EPDM 281	49053263	○
42,60	4,08	72 NBR 872	49051751	○
42,60	4,08	88 NBR 156	49048703	○
42,61	5,33	70 EPDM 281	49053264	○
42,67	2,72	72 NBR 872	49051752	○
42,69	5,33	72 NBR 872	49051753	○
42,69	5,33	88 NBR 156	49048704	○
42,86	3,53	70 EPDM 281	49053265	○
42,86	3,53	72 NBR 872	14453179	●
42,86	3,53	80 FKM 610	49050191	○
42,88	4,99	70 EPDM 281	49053266	○
42,91	3,00	70 EPDM 281	49053267	○
42,91	7,45	70 EPDM 281	49053268	○
42,91	7,45	72 NBR 872	49051754	○
42,94	2,00	70 EPDM 281	49053269	○
42,96	1,50	70 EPDM 281	49053270	○
42,96	5,00	72 NBR 872	49051755	○
42,98	3,51	72 NBR 872	49051756	○

● Available from stock

○ On request: Tool is available, delivery at short notice



d ₁	d ₂	Material	Article No.	
42,98	3,51	88 NBR 156	49048705	○
42,99	3,00	72 NBR 872	49051757	○
42,99	3,00	88 NBR 156	49048706	○
43,00	1,50	70 EPDM 281	49047924	○
43,00	2,00	72 NBR 872	444368	●
43,00	2,00	80 FKM 610	14450971	●
43,00	2,50	72 NBR 872	14451943	●
43,00	2,50	80 FKM 610	49050192	○
43,00	3,00	70 EPDM 281	49047566	○
43,00	3,00	72 NBR 872	445553	●
43,00	3,00	80 FKM 610	449532	●
43,00	3,50	72 NBR 872	445806	●
43,00	3,50	80 FKM 610	49050193	○
43,00	5,50	72 NBR 872	447675	●
43,00	5,50	80 FKM 610	49050194	○
43,00	7,50	72 NBR 872	49047770	○
43,02	2,01	88 NBR 156	49048707	○
43,04	1,50	88 NBR 156	49048708	○
43,20	2,51	88 NBR 156	49048709	○
43,23	5,51	70 EPDM 281	49053271	○
43,23	5,51	72 NBR 872	49051758	○
43,32	3,63	70 EPDM 281	49053272	○
43,40	3,63	72 NBR 872	49051759	○
43,48	5,30	70 EPDM 281	49053273	○
43,50	1,50	80 FKM 610	49050195	○
43,50	3,00	70 EPDM 281	49047788	○
43,50	3,00	80 FKM 610	49050196	○
43,57	5,30	72 NBR 872	49051760	○
43,66	4,48	70 EPDM 281	49053274	○
43,70	2,01	88 NBR 156	49048710	○
43,70	3,55	80 FKM 610	49047649	○
43,72	5,33	70 EPDM 281	49053275	○
43,74	4,48	72 NBR 872	49051761	○
43,74	5,30	70 EPDM 281	49053276	○
43,74	5,33	70 EPDM 281	49053277	○
43,80	5,33	72 NBR 872	49051762	○
43,80	5,33	88 NBR 156	49048711	○
43,81	5,33	70 EPDM 281	327693	●
43,82	3,53	70 EPDM 281	49047396	○
43,82	5,33	70 EPDM 281	49053278	○
43,82	5,33	72 NBR 872	49051763	○
43,82	5,33	80 FKM 610	449533	●
43,82	5,33	88 NBR 156	49048712	○
43,83	2,62	70 EPDM 281	49053279	○
43,86	3,53	70 EPDM 281	49053280	○
43,86	3,53	72 NBR 872	49051764	○
43,87	3,57	88 NBR 156	49048713	○
43,90	2,50	88 NBR 156	49048714	○
43,91	5,33	72 NBR 872	49051765	○
43,91	5,33	88 NBR 156	49048715	○
43,92	2,62	72 NBR 872	49051766	○

d ₁	d ₂	Material	Article No.	
43,92	2,62	88 NBR 156	49048716	○
43,93	5,98	70 EPDM 281	49053281	○
43,95	3,53	70 EPDM 281	49053282	○
43,97	3,02	88 NBR 156	49048717	○
44,00	2,00	70 EPDM 281	49047859	○
44,00	2,00	72 NBR 872	444689	●
44,00	2,00	80 FKM 610	14453172	●
44,00	3,00	70 EPDM 281	447442	●
44,00	3,00	72 NBR 872	446549	●
44,00	3,00	80 FKM 610	49050197	○
44,00	4,00	72 NBR 872	445944	●
44,00	4,00	80 FKM 610	49050198	○
44,00	5,00	70 EPDM 281	446703	●
44,00	5,00	72 NBR 872	444766	●
44,00	5,00	80 FKM 610	49050199	○
44,00	6,00	70 EPDM 281	448229	●
44,00	6,00	72 NBR 872	446144	●
44,00	6,00	80 FKM 610	49050200	○
44,00	8,00	72 NBR 872	49051767	○
44,00	10,00	72 NBR 872	49051768	○
44,02	5,98	88 NBR 156	49048718	○
44,03	1,78	70 EPDM 281	49053283	○
44,04	3,53	70 EPDM 281	49047812	○
44,04	3,53	72 NBR 872	447610	●
44,04	3,53	80 FKM 610	449534	●
44,04	3,53	88 NBR 156	49048719	○
44,11	1,78	72 NBR 872	49051769	○
44,11	1,78	88 NBR 156	49048720	○
44,12	2,62	70 EPDM 281	448517	●
44,12	2,62	72 NBR 872	49051770	○
44,12	2,62	80 FKM 610	49050201	○
44,17	1,78	70 EPDM 281	49053284	○
44,17	1,78	72 NBR 872	49051771	○
44,17	1,78	80 FKM 610	49047650	○
44,19	2,20	72 NBR 872	49051772	○
44,20	2,50	72 NBR 872	446061	●
44,20	2,50	80 FKM 610	449535	●
44,20	3,00	70 EPDM 281	49047402	○
44,20	3,00	72 NBR 872	448689	●
44,20	3,00	80 FKM 610	449536	●
44,20	3,00	88 NBR 156	60215	●
44,20	5,70	72 NBR 872	447611	●
44,20	5,70	80 FKM 610	449537	●
44,20	5,70	88 NBR 156	60216	●
44,25	4,00	72 NBR 872	49051773	○
44,40	5,33	70 EPDM 281	49053285	○
44,45	3,53	70 EPDM 281	447612	●
44,45	3,53	72 NBR 872	49051774	○
44,45	3,53	80 FKM 610	49050202	○

● Available from stock

○ On request: Tool is available, delivery at short notice



d ₁	d ₂	Material	Article No.	
44,48	5,33	72 NBR 872	49051775	○
44,48	5,33	88 NBR 156	49048721	○
44,50	3,00	88 NBR 156	49047870	○
44,60	2,40	80 FKM 610	49050203	○
44,64	11,91	72 NBR 872	49051776	○
44,68	3,00	88 NBR 156	49048722	○
44,70	6,97	88 NBR 156	49048723	○
44,78	3,47	88 NBR 156	49048724	○
44,78	3,96	88 NBR 156	49048725	○
44,88	2,00	70 EPDM 281	49053286	○
44,90	1,50	70 EPDM 281	49053287	○
44,92	4,50	70 EPDM 281	49053288	○
44,92	4,99	70 EPDM 281	49053289	○
44,97	2,01	88 NBR 156	49048726	○
44,99	1,50	72 NBR 872	49051777	○
44,99	1,50	88 NBR 156	49048727	○
44,99	3,16	88 NBR 156	49048728	○
45,00	1,50	72 NBR 872	444688	●
45,00	1,50	80 FKM 610	49050204	○
45,00	2,00	70 EPDM 281	446441	●
45,00	2,00	72 NBR 872	445078	●
45,00	2,00	80 FKM 610	449538	●
45,00	2,30	80 FKM 610	49050205	○
45,00	2,50	70 EPDM 281	49047690	○
45,00	2,50	72 NBR 872	446119	●
45,00	2,50	80 FKM 610	49050206	○
45,00	3,00	70 EPDM 281	49047364	○
45,00	3,00	72 NBR 872	446407	●
45,00	3,00	80 FKM 610	449539	●
45,00	3,00	88 NBR 156	49047696	○
45,00	3,15	72 NBR 872	49047954	○
45,00	3,20	80 FKM 610	49050207	○
45,00	3,50	72 NBR 872	445676	●
45,00	3,50	80 FKM 610	49050208	○
45,00	4,00	72 NBR 872	446480	●
45,00	4,00	80 FKM 610	449540	●
45,00	4,50	72 NBR 872	2724	●
45,00	5,00	72 NBR 872	445681	●
45,00	5,00	80 FKM 610	49050209	○
45,00	5,00	88 NBR 156	49047408	○
45,00	7,00	70 EPDM 281	49053290	○
45,00	7,00	72 NBR 872	445909	●
45,00	7,00	80 FKM 610	49050210	○
45,00	12,00	72 NBR 872	49047222	○
45,01	4,50	72 NBR 872	49051778	○
45,01	4,50	88 NBR 156	49048729	○
45,01	4,99	88 NBR 156	49048730	○
45,01	5,00	72 NBR 872	49051779	○
45,05	4,02	72 NBR 872	49051780	○
45,06	3,00	70 EPDM 281	49053291	○
45,09	6,02	70 EPDM 281	49053292	○

d ₁	d ₂	Material	Article No.	
45,09	8,13	72 NBR 872	49051781	○
45,09	8,13	88 NBR 156	49048731	○
45,10	3,00	80 FKM 610	49050211	○
45,15	3,00	72 NBR 872	49051782	○
45,15	3,00	88 NBR 156	49048732	○
45,17	2,01	72 NBR 872	49051783	○
45,19	6,78	88 NBR 156	49048733	○
45,20	3,00	72 NBR 872	446456	●
45,20	3,00	88 NBR 156	49047336	○
45,20	5,70	80 FKM 610	49050212	○
45,20	5,70	88 NBR 156	63405	●
45,42	3,02	88 NBR 156	49048734	○
45,50	6,80	70 EPDM 281	49047457	○
45,58	1,50	70 EPDM 281	49053293	○
45,67	1,50	72 NBR 872	49051784	○
45,67	1,50	88 NBR 156	49048735	○
45,69	2,62	70 EPDM 281	49047491	○
45,69	2,62	72 NBR 872	4414	●
45,69	2,62	80 FKM 610	49050213	○
45,70	1,50	72 NBR 872	445666	●
45,70	1,50	80 FKM 610	49050214	○
45,81	3,51	88 NBR 156	49048736	○
45,82	2,62	70 EPDM 281	49053294	○
45,86	2,00	70 EPDM 281	49053295	○
45,88	5,50	70 EPDM 281	49053296	○
45,91	2,62	72 NBR 872	49051785	○
45,91	2,62	88 NBR 156	49048737	○
45,91	6,00	70 EPDM 281	49053297	○
45,95	2,01	88 NBR 156	49048738	○
45,95	2,49	70 EPDM 281	49053298	○
45,95	2,99	70 EPDM 281	49053299	○
45,95	2,99	72 NBR 872	49051786	○
45,96	1,60	72 NBR 872	49051787	○
45,96	5,50	72 NBR 872	49051788	○
45,97	1,50	70 EPDM 281	49053300	○
46,00	2,00	70 EPDM 281	49047705	○
46,00	2,00	80 FKM 610	49050215	○
46,00	2,00	88 NBR 156	60217	●
46,00	2,50	72 NBR 872	447679	●
46,00	2,50	80 FKM 610	49050216	○
46,00	3,00	70 EPDM 281	447191	●
46,00	3,00	72 NBR 872	447308	●
46,00	3,00	80 FKM 610	449541	●
46,00	4,00	72 NBR 872	14451945	●
46,00	4,00	80 FKM 610	49050217	○
46,00	5,00	72 NBR 872	446145	●
46,00	5,00	80 FKM 610	49050218	○
46,00	6,00	72 NBR 872	49051789	○
46,00	6,00	88 NBR 156	49048739	○

● Available from stock

○ On request: Tool is available, delivery at short notice



d ₁	d ₂	Material	Article No.	
46,00	7,00	70 EPDM 281	49053301	○
46,00	7,00	72 NBR 872	49051790	○
46,00	7,00	80 FKM 610	49050219	○
46,04	2,50	88 NBR 156	49048740	○
46,04	3,53	70 EPDM 281	447614	●
46,04	3,53	72 NBR 872	49051791	○
46,04	3,53	80 FKM 610	49050220	○
46,04	3,96	88 NBR 156	49048741	○
46,06	1,50	88 NBR 156	49048742	○
46,09	1,78	70 EPDM 281	49053302	○
46,18	1,78	72 NBR 872	49051792	○
46,18	1,78	88 NBR 156	49048743	○
46,20	3,00	72 NBR 872	445689	●
46,20	3,00	88 NBR 156	49047337	○
46,32	2,55	70 EPDM 281	49053303	○
46,40	3,53	70 EPDM 281	49053304	○
46,40	3,53	72 NBR 872	49051793	○
46,41	2,55	72 NBR 872	49051794	○
46,42	3,00	70 EPDM 281	49053305	○
46,50	3,00	72 NBR 872	446084	●
46,50	3,00	80 FKM 610	49050221	○
46,50	5,00	80 FKM 610	49050222	○
46,51	3,00	72 NBR 872	49051795	○
46,51	3,00	88 NBR 156	49048744	○
46,58	2,42	72 NBR 872	49051796	○
46,69	4,97	88 NBR 156	49048745	○
46,87	4,50	70 EPDM 281	49053306	○
46,91	2,99	70 EPDM 281	49053307	○
46,91	5,24	70 EPDM 281	49053308	○
46,93	2,49	70 EPDM 281	49053309	○
46,95	1,50	70 EPDM 281	49053310	○
46,96	4,50	72 NBR 872	49051797	○
46,99	5,33	70 EPDM 281	448976	●
46,99	5,33	72 NBR 872	49051798	○
46,99	5,33	80 FKM 610	14451412	●
47,00	1,50	70 EPDM 281	49047738	○
47,00	1,99	72 NBR 872	49051799	○
47,00	2,00	70 EPDM 281	49047731	○
47,00	2,00	72 NBR 872	447615	●
47,00	2,00	80 FKM 610	49050223	○
47,00	2,30	80 FKM 610	49050224	○
47,00	2,50	70 EPDM 281	49047672	○
47,00	2,50	72 NBR 872	445856	●
47,00	2,50	80 FKM 610	49050225	○
47,00	3,00	72 NBR 872	445950	●
47,00	3,00	80 FKM 610	49047651	○
47,00	3,00	88 NBR 156	49048746	○
47,00	3,50	80 FKM 610	49050226	○
47,00	4,00	70 EPDM 281	49047767	○
47,00	4,00	72 NBR 872	445080	●
47,00	4,00	80 FKM 610	49050227	○

d ₁	d ₂	Material	Article No.	
47,00	5,00	72 NBR 872	447681	●
47,00	5,00	80 FKM 610	49050228	○
47,00	5,24	72 NBR 872	49051800	○
47,02	2,50	72 NBR 872	49051801	○
47,02	2,50	88 NBR 156	49048747	○
47,08	5,33	70 EPDM 281	49053311	○
47,09	3,53	70 EPDM 281	49053312	○
47,09	3,53	72 NBR 872	49051802	○
47,10	1,60	80 FKM 610	49050229	○
47,16	3,53	70 EPDM 281	49053313	○
47,17	5,33	72 NBR 872	49051803	○
47,17	5,33	88 NBR 156	49048748	○
47,19	2,51	88 NBR 156	49048749	○
47,20	5,70	70 EPDM 281	14450585	●
47,20	5,70	72 NBR 872	444778	●
47,20	5,70	80 FKM 610	49050230	○
47,20	5,70	88 NBR 156	63409	●
47,22	3,53	70 EPDM 281	446069	●
47,22	3,53	72 NBR 872	446163	●
47,22	3,53	80 FKM 610	449542	●
47,22	3,53	88 NBR 156	49047889	○
47,24	1,78	70 EPDM 281	49053314	○
47,25	3,53	72 NBR 872	49051804	○
47,25	3,53	88 NBR 156	49048750	○
47,29	2,62	70 EPDM 281	447363	●
47,29	2,62	72 NBR 872	49051805	○
47,29	2,62	80 FKM 610	49050231	○
47,32	1,78	70 EPDM 281	49053315	○
47,33	1,78	72 NBR 872	49051806	○
47,33	1,78	88 NBR 156	49048751	○
47,35	1,70	72 NBR 872	49047374	○
47,35	1,78	70 EPDM 281	49047749	○
47,35	1,78	72 NBR 872	49051807	○
47,35	1,78	80 FKM 610	49050232	○
47,37	3,02	88 NBR 156	49048752	○
47,39	2,62	70 EPDM 281	49053316	○
47,41	1,78	72 NBR 872	49051808	○
47,41	1,78	88 NBR 156	49048753	○
47,49	2,62	72 NBR 872	49051809	○
47,49	2,62	88 NBR 156	49048754	○
47,50	3,00	72 NBR 872	49051810	○
47,50	3,53	70 EPDM 281	49053317	○
47,50	3,53	72 NBR 872	49051811	○
47,56	3,51	72 NBR 872	49051812	○
47,56	3,51	88 NBR 156	49048755	○
47,56	5,75	88 NBR 156	49048756	○
47,60	2,40	72 NBR 872	14451946	●
47,60	2,40	80 FKM 610	49050233	○
47,60	2,40	88 NBR 156	49048757	○

● Available from stock

○ On request: Tool is available, delivery at short notice



d ₁	d ₂	Material	Article No.	
47,60	3,50	72 NBR 872	447616	●
47,63	3,53	70 EPDM 281	49053318	○
47,63	3,53	72 NBR 872	49051813	○
47,63	3,53	80 FKM 610	49050234	○
47,72	1,50	70 EPDM 281	49053319	○
47,82	1,50	72 NBR 872	49051814	○
47,86	4,00	70 EPDM 281	49053320	○
47,88	3,00	70 EPDM 281	49053321	○
47,90	2,00	70 EPDM 281	49053322	○
47,90	6,00	70 EPDM 281	49053323	○
47,90	6,10	70 EPDM 281	49053324	○
47,94	4,99	70 EPDM 281	49053325	○
47,95	4,00	72 NBR 872	49051815	○
47,95	4,00	88 NBR 156	49048758	○
47,96	4,19	70 EPDM 281	49053326	○
47,97	3,00	72 NBR 872	49051816	○
47,97	3,00	88 NBR 156	49048759	○
47,97	3,06	70 EPDM 281	49053327	○
47,97	6,52	88 NBR 156	49048760	○
47,99	2,01	88 NBR 156	49048761	○
47,99	6,00	72 NBR 872	49051817	○
47,99	6,11	72 NBR 872	49051818	○
47,99	10,00	72 NBR 872	49051819	○
48,00	1,20	80 FKM 610	49050235	○
48,00	2,00	72 NBR 872	446120	●
48,00	2,00	80 FKM 610	49047783	○
48,00	2,50	80 FKM 610	49050236	○
48,00	3,00	72 NBR 872	444707	●
48,00	3,00	80 FKM 610	449543	●
48,00	4,00	70 EPDM 281	49047548	○
48,00	4,00	72 NBR 872	445650	●
48,00	4,00	80 FKM 610	49050237	○
48,00	5,00	70 EPDM 281	49047559	○
48,00	5,00	72 NBR 872	446481	●
48,00	5,00	80 FKM 610	49050238	○
48,00	6,00	80 FKM 610	49050239	○
48,00	6,10	72 NBR 872	2847	●
48,00	6,50	72 NBR 872	447683	●
48,00	6,50	80 FKM 610	49050240	○
48,00	7,00	72 NBR 872	49051820	○
48,00	7,00	88 NBR 156	49048762	○
48,00	8,00	72 NBR 872	2854	●
48,00	8,00	72 NBR 872	49051821	○
48,03	4,99	88 NBR 156	49048763	○
48,06	3,06	72 NBR 872	49051822	○
48,06	3,06	88 NBR 156	49048764	○
48,19	2,20	88 NBR 156	49048765	○
48,19	3,02	70 EPDM 281	49053328	○
48,19	3,53	88 NBR 156	49048766	○
48,28	3,02	72 NBR 872	49051823	○
48,40	2,00	72 NBR 872	49051824	○

d ₁	d ₂	Material	Article No.	
48,55	4,50	70 EPDM 281	49053329	○
48,64	4,00	70 EPDM 281	49053330	○
48,65	3,53	70 EPDM 281	49053331	○
48,65	3,53	72 NBR 872	49051825	○
48,65	4,50	72 NBR 872	49051826	○
48,73	4,00	72 NBR 872	49051827	○
48,74	2,62	70 EPDM 281	49053332	○
48,83	2,62	72 NBR 872	49051828	○
48,83	2,62	88 NBR 156	49048767	○
48,87	2,00	70 EPDM 281	49053333	○
48,89	1,78	70 EPDM 281	49053334	○
48,89	2,62	72 NBR 872	49047464	○
48,90	2,62	70 EPDM 281	14450613	●
48,90	2,62	80 FKM 610	49050241	○
48,91	4,50	70 EPDM 281	49053335	○
48,99	1,78	72 NBR 872	49051829	○
48,99	1,78	88 NBR 156	49048768	○
49,00	2,01	72 NBR 872	49051830	○
49,00	2,50	72 NBR 872	49047519	○
49,00	2,50	80 FKM 610	49050242	○
49,00	3,00	72 NBR 872	445796	●
49,00	3,00	80 FKM 610	49050243	○
49,00	3,00	88 NBR 156	49047348	○
49,00	7,00	70 EPDM 281	49053336	○
49,00	7,00	72 NBR 872	49051831	○
49,00	7,00	80 FKM 610	49050244	○
49,01	4,50	72 NBR 872	49051832	○
49,02	1,78	72 NBR 872	49051833	○
49,02	1,78	80 FKM 610	49050245	○
49,07	2,49	70 EPDM 281	49053337	○
49,09	5,69	70 EPDM 281	49053338	○
49,16	2,50	72 NBR 872	49051834	○
49,16	2,50	88 NBR 156	49048769	○
49,18	5,69	72 NBR 872	49051835	○
49,18	5,69	88 NBR 156	49048770	○
49,20	3,00	70 EPDM 281	447193	●
49,20	3,00	72 NBR 872	446408	●
49,20	3,00	88 NBR 156	63410	●
49,20	5,70	72 NBR 872	445682	●
49,20	5,70	80 FKM 610	449544	●
49,20	5,70	88 NBR 156	49047302	○
49,21	3,53	70 EPDM 281	49053339	○
49,21	3,53	72 NBR 872	446146	●
49,21	3,53	80 FKM 610	49050246	○
49,28	2,00	72 NBR 872	49051836	○
49,28	3,00	72 NBR 872	49051837	○
49,44	3,00	70 EPDM 281	49053340	○
49,50	3,00	80 FKM 610	449655	●
49,50	3,00	88 NBR 156	60219	●

● Available from stock

○ On request: Tool is available, delivery at short notice



d ₁	d ₂	Material	Article No.	
49,53	3,00	88 NBR 156	49048771	○
49,60	2,40	80 FKM 610	49050247	○
49,86	1,50	70 EPDM 281	49053341	○
49,86	5,01	70 EPDM 281	49053342	○
49,86	5,50	70 EPDM 281	49053343	○
49,88	4,50	70 EPDM 281	49053344	○
49,90	4,00	70 EPDM 281	49053345	○
49,94	2,01	88 NBR 156	49048772	○
49,94	2,43	72 NBR 872	49051838	○
49,94	2,49	70 EPDM 281	49053346	○
49,96	1,50	72 NBR 872	49051839	○
49,96	3,16	88 NBR 156	49048773	○
49,96	5,00	72 NBR 872	49051840	○
49,96	5,01	88 NBR 156	49048774	○
49,96	5,50	72 NBR 872	49051841	○
49,96	5,50	88 NBR 156	49048775	○
49,96	6,48	72 NBR 872	49051842	○
49,96	6,48	88 NBR 156	49048776	○
49,98	4,50	72 NBR 872	49051843	○
49,98	4,50	88 NBR 156	49048777	○
50,00	2,00	70 EPDM 281	49047670	○
50,00	2,00	72 NBR 872	444509	●
50,00	2,00	80 FKM 610	49047844	○
50,00	2,00	88 NBR 156	49047303	○
50,00	2,39	72 NBR 872	49051844	○
50,00	2,40	80 FKM 610	49050248	○
50,00	2,50	72 NBR 872	14452244	●
50,00	2,50	80 FKM 610	49050249	○
50,00	2,98	72 NBR 872	49051845	○
50,00	3,00	70 EPDM 281	448343	●
50,00	3,00	72 NBR 872	444738	●
50,00	3,00	80 FKM 610	449545	●
50,00	3,50	80 FKM 610	49050250	○
50,00	4,00	70 EPDM 281	446583	●
50,00	4,00	72 NBR 872	445659	●
50,00	4,00	80 FKM 610	449546	●
50,00	4,00	88 NBR 156	49048778	○
50,00	4,50	72 NBR 872	444762	●
50,00	4,50	80 FKM 610	49050251	○
50,00	5,00	70 EPDM 281	447443	●
50,00	5,00	72 NBR 872	445700	●
50,00	5,00	80 FKM 610	449547	●
50,00	5,50	72 NBR 872	446121	●
50,00	5,50	80 FKM 610	49050252	○
50,00	6,00	70 EPDM 281	49047447	○
50,00	6,00	72 NBR 872	14451948	●
50,00	6,00	80 FKM 610	49050253	○
50,00	6,50	72 NBR 872	446500	●
50,00	6,50	80 FKM 610	49050254	○
50,00	8,02	72 NBR 872	49051846	○
50,04	2,01	88 NBR 156	49048779	○

d ₁	d ₂	Material	Article No.	
50,04	2,50	88 NBR 156	49048780	○
50,07	5,33	70 EPDM 281	49053347	○
50,10	3,51	88 NBR 156	49048781	○
50,10	6,00	70 EPDM 281	49053348	○
50,12	2,62	70 EPDM 281	49053349	○
50,12	3,00	70 EPDM 281	49053350	○
50,16	5,33	70 EPDM 281	447617	●
50,16	5,33	72 NBR 872	49047580	○
50,16	5,33	80 FKM 610	49050255	○
50,17	5,33	88 NBR 156	49048782	○
50,19	6,00	72 NBR 872	49051847	○
50,20	3,00	72 NBR 872	446606	●
50,20	3,00	88 NBR 156	63412	●
50,21	2,62	72 NBR 872	49051848	○
50,21	2,62	88 NBR 156	49048783	○
50,21	3,00	72 NBR 872	49051849	○
50,21	3,00	88 NBR 156	49048784	○
50,27	3,53	70 EPDM 281	49053351	○
50,37	3,53	72 NBR 872	49051850	○
50,37	3,53	88 NBR 156	49048785	○
50,39	3,02	88 NBR 156	49048786	○
50,39	3,53	70 EPDM 281	447526	●
50,39	3,53	72 NBR 872	447527	●
50,39	3,53	80 FKM 610	49050256	○
50,39	6,06	72 NBR 872	49051851	○
50,41	2,62	70 EPDM 281	49053352	○
50,47	2,62	70 EPDM 281	447353	●
50,47	2,62	72 NBR 872	49051852	○
50,47	2,62	80 FKM 610	49050257	○
50,49	3,51	88 NBR 156	49048787	○
50,51	2,62	72 NBR 872	49051853	○
50,51	2,62	88 NBR 156	49048788	○
50,52	1,78	70 EPDM 281	49047798	○
50,52	1,78	72 NBR 872	49051854	○
50,52	1,78	80 FKM 610	49050258	○
50,53	2,20	88 NBR 156	49048789	○
50,62	1,78	70 EPDM 281	49053353	○
50,63	2,62	70 EPDM 281	49053354	○
50,63	2,62	72 NBR 872	49051855	○
50,68	3,02	88 NBR 156	49048790	○
50,72	1,78	72 NBR 872	49051856	○
50,72	1,78	88 NBR 156	49048791	○
50,73	3,56	72 NBR 872	49051857	○
50,76	2,62	70 EPDM 281	49053355	○
50,76	2,62	72 NBR 872	49051858	○
50,80	3,53	70 EPDM 281	447528	●
50,80	3,53	72 NBR 872	49051859	○
50,80	3,53	80 FKM 610	49050259	○
50,90	1,50	70 EPDM 281	49053356	○

● Available from stock

○ On request: Tool is available, delivery at short notice



d ₁	d ₂	Material	Article No.	
50,93	5,50	70 EPDM 281	49053357	○
51,00	1,50	72 NBR 872	49051860	○
51,00	2,40	80 FKM 610	49050260	○
51,00	2,49	70 EPDM 281	49053358	○
51,00	2,49	72 NBR 872	49051861	○
51,00	2,50	70 EPDM 281	327719	●
51,00	2,50	72 NBR 872	444487	●
51,00	2,50	80 FKM 610	49050261	○
51,00	2,99	72 NBR 872	49051862	○
51,00	3,00	80 FKM 610	49050262	○
51,00	5,00	80 FKM 610	49050263	○
51,00	9,00	72 NBR 872	447687	●
51,05	2,01	72 NBR 872	49051863	○
51,10	5,00	72 NBR 872	49051864	○
51,10	5,00	88 NBR 156	49048792	○
51,13	5,69	70 EPDM 281	49053359	○
51,20	5,70	72 NBR 872	445561	●
51,20	5,70	80 FKM 610	49050264	○
51,20	5,70	88 NBR 156	63414	●
51,23	5,69	88 NBR 156	49048793	○
51,35	5,05	70 EPDM 281	49053360	○
51,44	6,35	70 EPDM 281	49053361	○
51,45	5,05	72 NBR 872	49051865	○
51,66	4,97	88 NBR 156	49048794	○
51,70	3,57	88 NBR 156	49048795	○
51,75	5,65	88 NBR 156	49048796	○
51,89	2,00	70 EPDM 281	49053362	○
51,95	4,00	70 EPDM 281	49053363	○
51,96	2,62	70 EPDM 281	49053364	○
51,99	2,01	88 NBR 156	49048797	○
52,00	1,50	70 EPDM 281	49047556	○
52,00	1,50	72 NBR 872	14451949	●
52,00	1,50	80 FKM 610	49050265	○
52,00	2,00	72 NBR 872	445869	●
52,00	2,00	80 FKM 610	49050266	○
52,00	3,00	70 EPDM 281	447529	●
52,00	3,00	72 NBR 872	445677	●
52,00	3,00	80 FKM 610	449548	●
52,00	4,00	72 NBR 872	49047358	○
52,00	4,00	80 FKM 610	49050267	○
52,00	4,50	70 EPDM 281	49047847	○
52,00	4,50	80 FKM 610	49050268	○
52,00	5,00	70 EPDM 281	49047750	○
52,00	5,00	72 NBR 872	447530	●
52,00	5,00	80 FKM 610	14450598	●
52,00	10,00	72 NBR 872	3005	●
52,05	4,00	88 NBR 156	49048798	○
52,07	2,62	70 EPDM 281	447531	●
52,07	2,62	72 NBR 872	49051866	○
52,07	2,62	80 FKM 610	49050269	○
52,07	2,62	88 NBR 156	49048799	○

d ₁	d ₂	Material	Article No.	
52,10	3,00	80 FKM 610	49050270	○
52,10	4,99	70 EPDM 281	49053365	○
52,10	5,53	70 EPDM 281	49053366	○
52,16	3,00	70 EPDM 281	49053367	○
52,19	3,53	70 EPDM 281	49053368	○
52,20	5,00	72 NBR 872	49051867	○
52,20	5,53	72 NBR 872	49051868	○
52,20	5,70	72 NBR 872	447532	●
52,20	5,70	80 FKM 610	49050271	○
52,26	3,00	72 NBR 872	49051869	○
52,26	3,00	88 NBR 156	49048800	○
52,29	3,53	72 NBR 872	49051870	○
52,29	3,53	88 NBR 156	49048801	○
52,30	3,00	72 NBR 872	49051871	○
52,39	2,62	70 EPDM 281	49053369	○
52,39	2,62	72 NBR 872	49051872	○
52,39	2,62	80 FKM 610	49050272	○
52,39	3,53	70 EPDM 281	447619	●
52,39	3,53	72 NBR 872	49051873	○
52,39	3,53	80 FKM 610	49050273	○
52,39	5,11	70 EPDM 281	49053370	○
52,44	3,02	88 NBR 156	49048802	○
52,50	1,80	80 FKM 610	49050274	○
52,50	5,11	72 NBR 872	49051874	○
52,50	5,11	88 NBR 156	49048803	○
52,59	1,50	70 EPDM 281	49053371	○
52,69	1,50	88 NBR 156	49048804	○
52,70	3,57	70 EPDM 281	49053372	○
52,81	3,57	72 NBR 872	49051875	○
52,85	4,02	70 EPDM 281	49053373	○
52,90	4,99	70 EPDM 281	49053374	○
52,90	5,28	88 NBR 156	49048805	○
52,90	6,00	70 EPDM 281	49053375	○
52,92	4,00	70 EPDM 281	49053376	○
52,95	4,02	72 NBR 872	49051876	○
53,00	1,50	72 NBR 872	14451950	●
53,00	1,50	80 FKM 610	49050275	○
53,00	2,00	72 NBR 872	49007115	●
53,00	2,00	80 FKM 610	14451422	●
53,00	2,50	72 NBR 872	14451951	●
53,00	2,50	80 FKM 610	49050276	○
53,00	3,00	80 FKM 610	49050277	○
53,00	3,51	70 EPDM 281	49053377	○
53,00	4,00	80 FKM 610	49050278	○
53,00	4,99	88 NBR 156	49048806	○
53,00	5,00	70 EPDM 281	327723	●
53,00	5,00	72 NBR 872	447620	●
53,00	5,00	72 NBR 872	49051877	○
53,00	5,00	80 FKM 610	449549	●

● Available from stock

○ On request: Tool is available, delivery at short notice



d ₁	d ₂	Material	Article No.	
53,00	5,30	72 NBR 872	49047902	○
53,00	6,00	72 NBR 872	446482	●
53,00	6,00	80 FKM 610	49050279	○
53,00	6,00	88 NBR 156	49048807	○
53,00	8,00	72 NBR 872	49051878	○
53,00	10,00	72 NBR 872	49051879	○
53,02	4,00	72 NBR 872	49051880	○
53,10	3,51	72 NBR 872	49051881	○
53,34	5,33	70 EPDM 281	447533	●
53,34	5,33	72 NBR 872	49051882	○
53,34	5,33	80 FKM 610	49050280	○
53,34	5,33	88 NBR 156	60221	●
53,40	3,00	80 FKM 610	49050281	○
53,44	5,33	70 EPDM 281	49053378	○
53,45	2,01	88 NBR 156	49048808	○
53,48	3,53	70 EPDM 281	49053379	○
53,55	5,33	72 NBR 872	49051883	○
53,55	5,33	88 NBR 156	49048809	○
53,57	3,53	70 EPDM 281	445862	●
53,57	3,53	72 NBR 872	448218	●
53,57	3,53	80 FKM 610	49050282	○
53,57	3,94	72 NBR 872	49051884	○
53,58	1,78	70 EPDM 281	49053380	○
53,59	3,53	72 NBR 872	49051885	○
53,59	3,53	88 NBR 156	49048810	○
53,64	2,62	70 EPDM 281	49053381	○
53,64	2,62	72 NBR 872	49051886	○
53,64	2,62	80 FKM 610	49050283	○
53,68	1,78	72 NBR 872	49051887	○
53,68	1,78	88 NBR 156	49048811	○
53,70	1,78	70 EPDM 281	49053382	○
53,70	1,78	72 NBR 872	49051888	○
53,70	1,78	80 FKM 610	49050284	○
53,83	2,00	70 EPDM 281	49053383	○
53,85	5,01	70 EPDM 281	49053384	○
53,87	4,50	70 EPDM 281	49053385	○
53,89	1,50	70 EPDM 281	49053386	○
53,89	1,78	70 EPDM 281	49053387	○
53,89	4,00	70 EPDM 281	49053388	○
53,93	2,49	70 EPDM 281	49053389	○
53,94	2,01	88 NBR 156	49048812	○
53,96	5,00	72 NBR 872	49051889	○
53,96	5,01	88 NBR 156	49048813	○
53,98	3,53	70 EPDM 281	447621	●
53,98	3,53	72 NBR 872	49047438	○
53,98	3,53	80 FKM 610	49050285	○
53,98	4,50	72 NBR 872	49051890	○
54,00	1,50	72 NBR 872	49051891	○
54,00	1,50	88 NBR 156	49047940	○
54,00	1,78	72 NBR 872	49051892	○
54,00	1,78	88 NBR 156	49048814	○

d ₁	d ₂	Material	Article No.	
54,00	2,00	70 EPDM 281	447559	●
54,00	2,00	80 FKM 610	14450998	●
54,00	2,50	70 EPDM 281	49047928	○
54,00	2,50	72 NBR 872	448421	●
54,00	2,50	80 FKM 610	449550	●
54,00	3,00	70 EPDM 281	49047632	○
54,00	3,00	72 NBR 872	445449	●
54,00	3,00	80 FKM 610	449551	●
54,00	3,00	88 NBR 156	60222	●
54,00	3,51	88 NBR 156	49048815	○
54,00	4,00	72 NBR 872	444802	●
54,00	4,00	80 FKM 610	49050286	○
54,00	4,00	88 NBR 156	49048816	○
54,00	5,00	70 EPDM 281	14450600	●
54,00	5,00	72 NBR 872	446501	●
54,00	5,00	80 FKM 610	49050287	○
54,04	2,50	88 NBR 156	49048817	○
54,10	3,17	72 NBR 872	49051893	○
54,10	5,80	80 FKM 610	49050288	○
54,14	5,69	70 EPDM 281	49053390	○
54,20	3,00	72 NBR 872	446605	●
54,20	3,00	80 FKM 610	449552	●
54,20	3,00	88 NBR 156	60223	●
54,20	5,70	70 EPDM 281	49047441	○
54,20	5,70	72 NBR 872	448465	●
54,20	5,70	80 FKM 610	449553	●
54,20	5,70	88 NBR 156	60224	●
54,23	2,01	88 NBR 156	49048818	○
54,25	5,69	88 NBR 156	49048819	○
54,40	2,49	70 EPDM 281	49053391	○
54,40	3,20	70 EPDM 281	49053392	○
54,50	2,50	72 NBR 872	49051894	○
54,50	3,00	70 EPDM 281	447534	●
54,50	3,00	72 NBR 872	49047520	○
54,50	3,00	80 FKM 610	49050289	○
54,50	3,20	72 NBR 872	49051895	○
54,61	4,15	72 NBR 872	49051896	○
54,66	4,08	70 EPDM 281	49053393	○
54,68	3,02	88 NBR 156	49048820	○
54,71	4,07	72 NBR 872	49051897	○
54,77	4,08	72 NBR 872	49051898	○
54,77	4,08	88 NBR 156	49048821	○
54,84	4,99	70 EPDM 281	49053394	○
54,88	3,00	70 EPDM 281	49053395	○
54,89	6,00	70 EPDM 281	49053396	○
54,90	2,00	70 EPDM 281	49053397	○
54,90	2,49	70 EPDM 281	49053398	○
54,90	2,62	70 EPDM 281	49053399	○
54,95	4,99	88 NBR 156	49048822	○

● Available from stock

○ On request: Tool is available, delivery at short notice



d ₁	d ₂	Material	Article No.	
54,95	5,00	72 NBR 872	49051899	○
54,97	3,98	72 NBR 872	49051900	○
54,97	3,98	88 NBR 156	49048823	○
54,99	3,00	72 NBR 872	49051901	○
54,99	3,00	88 NBR 156	49048824	○
55,00	2,00	70 EPDM 281	49047608	○
55,00	2,00	72 NBR 872	445542	●
55,00	2,00	80 FKM 610	449554	●
55,00	2,50	72 NBR 872	444488	●
55,00	2,50	80 FKM 610	49050290	○
55,00	3,00	70 EPDM 281	49047359	○
55,00	3,00	72 NBR 872	446502	●
55,00	3,00	80 FKM 610	449555	●
55,00	3,70	72 NBR 872	49047764	○
55,00	4,00	72 NBR 872	445075	●
55,00	4,00	80 FKM 610	49050291	○
55,00	5,00	70 EPDM 281	447297	●
55,00	5,00	72 NBR 872	446757	●
55,00	5,00	80 FKM 610	449556	●
55,00	6,00	72 NBR 872	446122	●
55,00	6,00	80 FKM 610	49050292	○
55,01	2,01	88 NBR 156	49048825	○
55,01	2,50	72 NBR 872	49051902	○
55,01	2,50	88 NBR 156	49048826	○
55,01	2,62	72 NBR 872	49051903	○
55,01	2,62	88 NBR 156	49048827	○
55,11	1,99	72 NBR 872	49051904	○
55,11	2,53	70 EPDM 281	49053400	○
55,13	1,60	88 NBR 156	49048828	○
55,18	2,62	70 EPDM 281	49053401	○
55,20	3,00	72 NBR 872	447535	●
55,20	3,00	88 NBR 156	49047338	○
55,20	5,70	80 FKM 610	49050293	○
55,21	2,53	72 NBR 872	49051905	○
55,21	5,02	70 EPDM 281	49053402	○
55,25	2,62	70 EPDM 281	49053403	○
55,25	2,62	72 NBR 872	49051906	○
55,25	2,62	80 FKM 610	49050294	○
55,28	2,62	72 NBR 872	49051907	○
55,28	2,62	88 NBR 156	49048829	○
55,32	5,02	72 NBR 872	49051908	○
55,37	3,00	70 EPDM 281	49053404	○
55,39	3,00	72 NBR 872	49051909	○
55,46	3,02	88 NBR 156	49048830	○
55,48	3,00	72 NBR 872	49051910	○
55,50	3,96	88 NBR 156	49048831	○
55,56	3,53	70 EPDM 281	447622	●
55,56	3,53	72 NBR 872	49051911	○
55,56	3,53	80 FKM 610	49050295	○
55,65	4,97	88 NBR 156	49048832	○
55,65	5,17	88 NBR 156	49048833	○

d ₁	d ₂	Material	Article No.	
55,75	2,49	70 EPDM 281	49053405	○
55,75	2,49	72 NBR 872	49051912	○
55,75	2,98	72 NBR 872	49051913	○
55,86	3,00	70 EPDM 281	49053406	○
55,88	2,00	70 EPDM 281	49053407	○
55,89	2,49	70 EPDM 281	49053408	○
55,95	2,80	80 FKM 610	49050296	○
55,96	3,00	72 NBR 872	49051914	○
55,96	3,00	88 NBR 156	49048834	○
55,98	2,01	88 NBR 156	49048835	○
56,00	2,00	70 EPDM 281	49047562	○
56,00	2,00	72 NBR 872	444783	●
56,00	2,00	80 FKM 610	49047826	○
56,00	2,50	72 NBR 872	49047739	○
56,00	2,50	80 FKM 610	49050297	○
56,00	3,00	70 EPDM 281	14451409	●
56,00	3,00	72 NBR 872	444713	●
56,00	3,00	80 FKM 610	449557	●
56,00	4,00	70 EPDM 281	49047835	○
56,00	4,00	72 NBR 872	447536	●
56,00	4,00	80 FKM 610	49050298	○
56,00	5,20	72 NBR 872	49047223	○
56,20	3,00	72 NBR 872	446543	●
56,20	3,00	88 NBR 156	63417	●
56,27	4,02	72 NBR 872	49051915	○
56,41	5,33	70 EPDM 281	49053409	○
56,43	3,02	88 NBR 156	49048836	○
56,44	4,98	70 EPDM 281	49053410	○
56,44	4,98	72 NBR 872	49051916	○
56,47	2,01	88 NBR 156	49048837	○
56,51	5,33	70 EPDM 281	446076	●
56,52	5,33	70 EPDM 281	49053411	○
56,52	5,33	72 NBR 872	447345	●
56,52	5,33	80 FKM 610	49050299	○
56,52	5,33	88 NBR 156	49048838	○
56,74	3,53	70 EPDM 281	447537	●
56,74	3,53	72 NBR 872	447538	●
56,74	3,53	80 FKM 610	49050300	○
56,74	3,53	88 NBR 156	49047468	○
56,82	2,62	70 EPDM 281	49047661	○
56,82	2,62	72 NBR 872	49051917	○
56,82	2,62	80 FKM 610	49050301	○
56,82	2,62	88 NBR 156	49048839	○
56,85	2,49	70 EPDM 281	49053412	○
56,87	1,78	70 EPDM 281	49053413	○
56,87	1,78	72 NBR 872	14451954	●
56,87	1,78	80 FKM 610	49050302	○
56,89	4,50	70 EPDM 281	49053414	○
56,89	4,99	70 EPDM 281	49053415	○

● Available from stock

○ On request: Tool is available, delivery at short notice



d ₁	d ₂	Material	Article No.	
56,91	4,00	70 EPDM 281	49053416	○
56,96	2,50	72 NBR 872	49051918	○
56,96	2,50	88 NBR 156	49048840	○
57,00	1,50	72 NBR 872	14450767	●
57,00	1,50	80 FKM 610	49050303	○
57,00	2,00	72 NBR 872	49047839	○
57,00	2,00	80 FKM 610	49050304	○
57,00	2,50	72 NBR 872	49047494	○
57,00	2,50	80 FKM 610	49050305	○
57,00	2,50	88 NBR 156	60209	●
57,00	3,00	70 EPDM 281	49047549	○
57,00	3,00	72 NBR 872	446164	●
57,00	3,00	80 FKM 610	449558	●
57,00	4,00	72 NBR 872	448142	●
57,00	4,00	80 FKM 610	49050306	○
57,00	4,00	88 NBR 156	49047724	○
57,00	4,50	70 EPDM 281	49047861	○
57,00	4,50	80 FKM 610	49050307	○
57,00	4,99	88 NBR 156	49048841	○
57,00	5,00	72 NBR 872	446147	●
57,00	5,00	72 NBR 872	49051919	○
57,00	5,00	80 FKM 610	49050308	○
57,00	6,00	72 NBR 872	448203	●
57,00	6,00	80 FKM 610	49050309	○
57,02	3,51	88 NBR 156	49048842	○
57,02	4,00	72 NBR 872	49051920	○
57,02	4,00	88 NBR 156	49048843	○
57,06	5,69	70 EPDM 281	49053417	○
57,12	3,00	70 EPDM 281	49053418	○
57,13	3,56	70 EPDM 281	49053419	○
57,15	3,53	70 EPDM 281	447623	●
57,15	3,53	72 NBR 872	49051921	○
57,15	3,53	80 FKM 610	49050310	○
57,17	5,69	72 NBR 872	49051922	○
57,17	5,69	88 NBR 156	49048844	○
57,20	3,00	70 EPDM 281	447540	●
57,20	3,00	88 NBR 156	63418	●
57,20	5,70	72 NBR 872	447624	●
57,20	5,70	80 FKM 610	49050311	○
57,20	5,70	88 NBR 156	63419	●
57,21	3,51	88 NBR 156	49048845	○
57,23	3,00	88 NBR 156	49048846	○
57,24	3,56	72 NBR 872	49051923	○
57,60	2,40	80 FKM 610	49050312	○
57,63	5,33	70 EPDM 281	49053420	○
57,64	2,98	88 NBR 156	49048847	○
57,70	5,46	88 NBR 156	49048848	○
57,70	7,00	70 EPDM 281	49053421	○
57,70	7,00	72 NBR 872	49051924	○
57,70	7,00	80 FKM 610	49050313	○
57,74	5,33	72 NBR 872	49051925	○

d ₁	d ₂	Material	Article No.	
57,74	5,33	88 NBR 156	49048849	○
57,84	1,50	70 EPDM 281	49053422	○
57,86	4,99	70 EPDM 281	49053423	○
57,86	5,19	70 EPDM 281	49053424	○
57,88	4,00	70 EPDM 281	49053425	○
57,90	3,49	70 EPDM 281	49053426	○
57,92	2,00	70 EPDM 281	49053427	○
57,92	2,49	70 EPDM 281	49053428	○
57,92	6,00	70 EPDM 281	49053429	○
57,95	1,50	72 NBR 872	49051926	○
57,97	5,00	72 NBR 872	49051927	○
57,97	5,19	72 NBR 872	49051928	○
57,99	4,00	72 NBR 872	49051929	○
57,99	4,00	88 NBR 156	49048850	○
58,00	2,00	70 EPDM 281	49047916	○
58,00	2,00	72 NBR 872	445757	●
58,00	2,00	80 FKM 610	49050314	○
58,00	3,00	70 EPDM 281	49047598	○
58,00	3,00	72 NBR 872	445497	●
58,00	3,00	80 FKM 610	49050315	○
58,00	3,00	88 NBR 156	49047304	○
58,00	3,50	80 FKM 610	49050316	○
58,00	4,00	72 NBR 872	14451955	●
58,00	4,00	80 FKM 610	49050317	○
58,00	5,00	72 NBR 872	14451956	●
58,00	5,00	80 FKM 610	49050318	○
58,00	5,50	70 EPDM 281	448362	●
58,00	5,50	72 NBR 872	447689	●
58,00	5,50	80 FKM 610	49050319	○
58,00	6,00	70 EPDM 281	49047372	○
58,00	6,00	72 NBR 872	446550	●
58,00	6,00	80 FKM 610	49050320	○
58,00	8,00	72 NBR 872	447690	●
58,00	10,00	72 NBR 872	49051930	○
58,01	3,49	72 NBR 872	49051931	○
58,01	3,49	88 NBR 156	49048851	○
58,03	2,01	88 NBR 156	49048852	○
58,03	6,00	88 NBR 156	49048853	○
58,11	4,00	72 NBR 872	49051932	○
58,11	5,33	70 EPDM 281	49053430	○
58,23	5,33	72 NBR 872	49051933	○
58,23	5,33	88 NBR 156	49048854	○
58,29	2,62	70 EPDM 281	49053431	○
58,40	2,62	72 NBR 872	49051934	○
58,40	2,62	88 NBR 156	49048855	○
58,42	2,62	70 EPDM 281	327737	●
58,42	2,62	72 NBR 872	49051935	○
58,42	2,62	80 FKM 610	49050321	○
58,48	3,00	70 EPDM 281	49053432	○

● Available from stock

○ On request: Tool is available, delivery at short notice



d ₁	d ₂	Material	Article No.	
58,50	5,00	80 FKM 610	49050322	○
58,54	5,01	88 NBR 156	49048856	○
58,60	3,00	72 NBR 872	49051936	○
58,60	3,00	88 NBR 156	49048857	○
58,66	4,19	70 EPDM 281	49053433	○
58,74	3,53	70 EPDM 281	49047862	○
58,74	3,53	72 NBR 872	49051937	○
58,74	3,53	80 FKM 610	49050323	○
58,77	4,19	72 NBR 872	49051938	○
58,77	4,19	88 NBR 156	49048858	○
58,87	3,00	70 EPDM 281	49053434	○
58,89	2,00	70 EPDM 281	49053435	○
58,99	3,00	72 NBR 872	49051939	○
58,99	3,00	88 NBR 156	49048859	○
59,00	2,50	70 EPDM 281	49047804	○
59,00	2,50	80 FKM 610	49050324	○
59,00	3,00	72 NBR 872	445680	●
59,00	3,00	80 FKM 610	49050325	○
59,00	5,00	72 NBR 872	448012	●
59,00	5,00	80 FKM 610	49050326	○
59,00	6,50	72 NBR 872	447691	●
59,00	6,50	80 FKM 610	49050327	○
59,01	2,01	88 NBR 156	49048860	○
59,11	2,62	70 EPDM 281	49053436	○
59,11	5,69	70 EPDM 281	49053437	○
59,20	5,70	72 NBR 872	446086	●
59,20	5,70	80 FKM 610	449559	●
59,20	5,70	88 NBR 156	60226	●
59,22	2,62	72 NBR 872	49051940	○
59,22	2,62	88 NBR 156	49048861	○
59,22	4,99	70 EPDM 281	49053438	○
59,22	5,69	72 NBR 872	49051941	○
59,22	5,69	88 NBR 156	49048862	○
59,28	2,79	70 EPDM 281	49053439	○
59,30	2,40	72 NBR 872	49051942	○
59,40	2,79	72 NBR 872	49051943	○
59,40	2,79	88 NBR 156	49048863	○
59,40	2,80	72 NBR 872	3250	●
59,40	3,10	70 EPDM 281	49047816	○
59,40	3,10	80 FKM 610	49050328	○
59,49	1,50	70 EPDM 281	49053440	○
59,50	3,00	72 NBR 872	49047848	○
59,50	3,00	80 FKM 610	49050329	○
59,50	3,00	88 NBR 156	60227	●
59,60	2,40	80 FKM 610	49050330	○
59,61	1,50	88 NBR 156	49048864	○
59,65	5,33	70 EPDM 281	49047662	○
59,69	5,33	70 EPDM 281	445791	●
59,69	5,33	72 NBR 872	49051944	○
59,69	5,33	80 FKM 610	49050331	○
59,69	5,33	88 NBR 156	49047733	○

d ₁	d ₂	Material	Article No.	
59,82	2,62	70 EPDM 281	49053441	○
59,83	1,50	70 EPDM 281	49053442	○
59,83	1,50	72 NBR 872	49051945	○
59,84	3,00	70 EPDM 281	49053443	○
59,86	2,00	70 EPDM 281	49053444	○
59,88	1,50	70 EPDM 281	49053445	○
59,88	1,78	70 EPDM 281	49053446	○
59,90	4,60	70 EPDM 281	49053447	○
59,92	3,53	70 EPDM 281	49047576	○
59,92	3,53	72 NBR 872	49047875	○
59,92	3,53	80 FKM 610	49050332	○
59,92	4,00	70 EPDM 281	49053448	○
59,94	2,62	72 NBR 872	49051946	○
59,94	2,62	88 NBR 156	49048865	○
59,96	3,00	72 NBR 872	49051947	○
59,96	7,00	72 NBR 872	49051948	○
59,96	7,00	88 NBR 156	49048866	○
59,98	2,01	88 NBR 156	49048867	○
59,99	2,62	70 EPDM 281	447541	●
59,99	2,62	72 NBR 872	49051949	○
59,99	2,62	80 FKM 610	49050333	○
60,00	1,50	70 EPDM 281	49047873	○
60,00	1,50	72 NBR 872	447542	●
60,00	1,50	80 FKM 610	49050334	○
60,00	1,78	72 NBR 872	49051950	○
60,00	1,78	88 NBR 156	49048868	○
60,00	2,00	70 EPDM 281	49047643	○
60,00	2,00	72 NBR 872	444785	●
60,00	2,00	80 FKM 610	449560	●
60,00	2,50	72 NBR 872	49047467	○
60,00	2,50	88 NBR 156	49047432	○
60,00	2,62	70 EPDM 281	49053449	○
60,00	2,62	72 NBR 872	14451957	●
60,00	2,62	80 FKM 610	49050335	○
60,00	3,00	70 EPDM 281	49047550	○
60,00	3,00	72 NBR 872	444690	●
60,00	3,00	80 FKM 610	449561	●
60,00	3,50	70 EPDM 281	49047414	○
60,00	3,50	72 NBR 872	446503	●
60,00	3,50	80 FKM 610	49050336	○
60,00	3,50	88 NBR 156	49047347	○
60,00	3,51	72 NBR 872	49051951	○
60,00	4,00	70 EPDM 281	447395	●
60,00	4,00	72 NBR 872	444732	●
60,00	4,00	80 FKM 610	449562	●
60,00	4,60	72 NBR 872	447344	●
60,00	4,60	80 FKM 610	49050337	○
60,00	5,00	70 EPDM 281	445533	●
60,00	5,00	72 NBR 872	445824	●

● Available from stock

○ On request: Tool is available, delivery at short notice



d ₁	d ₂	Material	Article No.	
60,00	5,00	80 FKM 610	49050338	○
60,00	6,00	70 EPDM 281	49047736	○
60,00	7,00	70 EPDM 281	49047677	○
60,00	7,00	72 NBR 872	446062	●
60,00	7,00	80 FKM 610	49050339	○
60,00	8,00	72 NBR 872	446148	●
60,00	13,00	72 NBR 872	445559	●
60,00	13,00	72 NBR 872	49051952	○
60,02	4,60	72 NBR 872	49051953	○
60,02	4,60	88 NBR 156	49048869	○
60,04	4,00	88 NBR 156	49048870	○
60,04	4,97	88 NBR 156	49048871	○
60,04	8,01	88 NBR 156	49048872	○
60,05	1,78	70 EPDM 281	448518	●
60,05	1,78	72 NBR 872	49051954	○
60,05	1,78	80 FKM 610	49050340	○
60,19	3,53	70 EPDM 281	49053450	○
60,19	3,53	72 NBR 872	49051955	○
60,20	3,00	72 NBR 872	3325	●
60,20	3,00	80 FKM 610	449563	●
60,33	3,53	70 EPDM 281	49053451	○
60,33	3,53	72 NBR 872	49051956	○
60,33	3,53	80 FKM 610	49050341	○
60,35	2,50	70 EPDM 281	49053452	○
60,35	2,50	72 NBR 872	49051957	○
60,67	2,00	70 EPDM 281	49053453	○
60,79	2,01	88 NBR 156	49048873	○
60,91	3,20	70 EPDM 281	49053454	○
61,00	3,20	72 NBR 872	445945	●
61,00	3,20	80 FKM 610	49050342	○
61,00	6,00	80 FKM 610	49050343	○
61,08	5,69	70 EPDM 281	49053455	○
61,20	5,69	72 NBR 872	49051958	○
61,20	5,69	88 NBR 156	49048874	○
61,20	5,70	72 NBR 872	447625	●
61,20	5,70	80 FKM 610	49050344	○
61,20	5,70	88 NBR 156	63421	●
61,50	2,30	80 FKM 610	49050345	○
61,50	2,62	70 EPDM 281	49053456	○
61,50	7,00	70 EPDM 281	49053457	○
61,50	7,00	72 NBR 872	49051959	○
61,50	7,00	80 FKM 610	49050346	○
61,59	2,62	70 EPDM 281	49047884	○
61,60	1,00	80 FKM 610	49050347	○
61,60	2,62	72 NBR 872	49051960	○
61,60	2,62	80 FKM 610	49050348	○
61,62	2,62	72 NBR 872	49051961	○
61,62	2,62	88 NBR 156	49048875	○
61,64	3,96	88 NBR 156	49048876	○
61,66	6,48	88 NBR 156	49048877	○
61,83	5,01	70 EPDM 281	49053458	○

d ₁	d ₂	Material	Article No.	
61,88	6,00	70 EPDM 281	49053459	○
61,89	3,53	88 NBR 156	49048878	○
61,91	2,00	70 EPDM 281	49053460	○
61,91	3,53	70 EPDM 281	447626	●
61,91	3,53	72 NBR 872	49051962	○
61,91	3,53	80 FKM 610	49050349	○
61,95	5,00	72 NBR 872	49051963	○
61,95	5,01	88 NBR 156	49048879	○
61,97	6,02	70 EPDM 281	49053461	○
62,00	2,00	72 NBR 872	446053	●
62,00	2,00	80 FKM 610	49050350	○
62,00	3,00	70 EPDM 281	447544	●
62,00	3,00	72 NBR 872	444712	●
62,00	3,00	80 FKM 610	449564	●
62,00	4,00	70 EPDM 281	49047375	○
62,00	4,00	72 NBR 872	446723	●
62,00	4,00	80 FKM 610	49050351	○
62,00	5,00	72 NBR 872	446123	●
62,00	5,00	80 FKM 610	49050352	○
62,00	5,97	70 EPDM 281	49053462	○
62,00	6,00	72 NBR 872	447545	●
62,00	6,00	80 FKM 610	49050353	○
62,00	6,00	88 NBR 156	49048880	○
62,00	6,50	72 NBR 872	3362	●
62,00	8,00	72 NBR 872	49047521	○
62,03	2,01	88 NBR 156	49048881	○
62,09	3,06	88 NBR 156	49048882	○
62,10	6,04	88 NBR 156	49048883	○
62,12	5,69	70 EPDM 281	49053463	○
62,12	5,97	72 NBR 872	49051964	○
62,20	3,00	72 NBR 872	49047524	○
62,20	3,00	88 NBR 156	63422	●
62,20	5,70	72 NBR 872	445845	●
62,20	5,70	80 FKM 610	49050354	○
62,20	5,70	88 NBR 156	63423	●
62,24	5,03	70 EPDM 281	49053464	○
62,24	5,69	88 NBR 156	49048884	○
62,36	5,03	72 NBR 872	49051965	○
62,40	5,33	70 EPDM 281	49053465	○
62,40	5,33	72 NBR 872	49047842	○
62,40	5,33	80 FKM 610	49050355	○
62,42	2,50	88 NBR 156	49048885	○
62,44	5,05	70 EPDM 281	49053466	○
62,56	5,05	72 NBR 872	49051966	○
62,56	5,05	88 NBR 156	49048886	○
62,61	2,98	88 NBR 156	49048887	○
62,86	5,33	70 EPDM 281	447546	●
62,86	5,33	72 NBR 872	49047561	○
62,86	5,33	80 FKM 610	449565	●

● Available from stock

○ On request: Tool is available, delivery at short notice



d ₁	d ₂	Material	Article No.	
62,86	5,33	88 NBR 156	49047305	○
62,87	5,33	70 EPDM 281	49053467	○
62,87	5,33	80 FKM 610	49050356	○
62,88	2,49	70 EPDM 281	49053468	○
62,90	1,50	70 EPDM 281	49053469	○
62,90	3,53	70 EPDM 281	49053470	○
62,90	3,53	72 NBR 872	49051967	○
62,90	3,53	80 FKM 610	49050357	○
62,90	5,50	70 EPDM 281	49053471	○
62,90	5,98	70 EPDM 281	49053472	○
62,92	4,50	70 EPDM 281	49053473	○
62,92	5,30	88 NBR 156	49048888	○
62,96	3,96	88 NBR 156	49048889	○
63,00	1,50	80 FKM 610	49047652	○
63,00	2,00	70 EPDM 281	49047418	○
63,00	2,00	72 NBR 872	444525	●
63,00	2,00	80 FKM 610	49050358	○
63,00	2,30	80 FKM 610	49050359	○
63,00	2,50	72 NBR 872	445576	●
63,00	2,50	80 FKM 610	49050360	○
63,00	2,50	88 NBR 156	49048890	○
63,00	3,00	70 EPDM 281	327748	●
63,00	3,00	80 FKM 610	49050361	○
63,00	4,00	70 EPDM 281	49047676	○
63,00	4,00	72 NBR 872	14451958	●
63,00	4,00	80 FKM 610	49050362	○
63,00	5,50	72 NBR 872	3388	●
63,02	1,50	72 NBR 872	49051968	○
63,02	5,50	72 NBR 872	49051969	○
63,02	5,98	72 NBR 872	49051970	○
63,02	5,98	88 NBR 156	49048891	○
63,09	3,53	70 EPDM 281	447547	●
63,09	3,53	72 NBR 872	49047507	○
63,09	3,53	80 FKM 610	449566	●
63,10	3,18	88 NBR 156	49048892	○
63,12	6,97	88 NBR 156	49048893	○
63,17	2,62	70 EPDM 281	49053474	○
63,17	2,62	72 NBR 872	49051971	○
63,17	2,62	80 FKM 610	49050363	○
63,22	1,78	70 EPDM 281	49053475	○
63,22	1,78	72 NBR 872	14451959	●
63,22	1,78	80 FKM 610	49050364	○
63,29	2,62	72 NBR 872	49051972	○
63,29	2,62	88 NBR 156	49048894	○
63,33	5,11	70 EPDM 281	49053476	○
63,40	1,00	80 FKM 610	49050365	○
63,45	3,51	72 NBR 872	49051973	○
63,45	3,51	88 NBR 156	49048895	○
63,45	5,11	88 NBR 156	49048896	○
63,49	4,98	70 EPDM 281	49053477	○
63,49	4,98	72 NBR 872	49051974	○

d ₁	d ₂	Material	Article No.	
63,49	6,56	72 NBR 872	49051975	○
63,50	3,20	72 NBR 872	446087	●
63,50	3,20	80 FKM 610	49050366	○
63,50	3,53	70 EPDM 281	49053478	○
63,50	3,53	72 NBR 872	14451960	●
63,50	3,53	80 FKM 610	49050367	○
63,65	3,60	72 NBR 872	49051976	○
63,85	2,00	70 EPDM 281	49053479	○
63,85	2,59	70 EPDM 281	49053480	○
63,87	3,00	70 EPDM 281	49053481	○
63,87	6,00	70 EPDM 281	49053482	○
63,98	2,59	72 NBR 872	49051977	○
63,98	2,59	88 NBR 156	49048897	○
64,00	2,00	70 EPDM 281	49047575	○
64,00	2,00	72 NBR 872	447797	●
64,00	2,00	80 FKM 610	49050368	○
64,00	2,50	72 NBR 872	49007090	●
64,00	2,50	80 FKM 610	49050369	○
64,00	3,00	70 EPDM 281	447548	●
64,00	3,00	72 NBR 872	445525	●
64,00	3,00	80 FKM 610	449567	●
64,00	3,00	88 NBR 156	49048898	○
64,00	4,00	80 FKM 610	49050370	○
64,00	6,00	72 NBR 872	49051978	○
64,00	6,99	80 FKM 610	49050371	○
64,04	3,96	88 NBR 156	49048899	○
64,07	5,69	70 EPDM 281	49053483	○
64,12	6,00	70 EPDM 281	49053484	○
64,13	5,46	88 NBR 156	49048900	○
64,19	5,69	72 NBR 872	49051979	○
64,19	5,69	88 NBR 156	49048901	○
64,20	3,00	80 FKM 610	49050372	○
64,20	5,70	70 EPDM 281	14450601	●
64,20	5,70	72 NBR 872	445807	●
64,20	5,70	80 FKM 610	449568	●
64,25	6,00	72 NBR 872	49051980	○
64,32	3,00	70 EPDM 281	49053485	○
64,36	4,04	70 EPDM 281	49053486	○
64,38	4,99	70 EPDM 281	49053487	○
64,44	3,00	72 NBR 872	49051981	○
64,44	3,00	88 NBR 156	49048902	○
64,48	4,04	72 NBR 872	49051982	○
64,50	3,00	80 FKM 610	449569	●
64,50	3,00	88 NBR 156	60238	●
64,50	5,00	72 NBR 872	49051983	○
64,61	2,62	70 EPDM 281	49053488	○
64,65	5,50	70 EPDM 281	49053489	○
64,66	3,96	88 NBR 156	49048903	○
64,74	2,62	72 NBR 872	49051984	○

● Available from stock

○ On request: Tool is available, delivery at short notice



d ₁	d ₂	Material	Article No.	
64,74	2,62	88 NBR 156	49048904	○
64,77	2,62	70 EPDM 281	445890	●
64,77	2,62	72 NBR 872	49047871	○
64,77	2,62	80 FKM 610	49050373	○
64,78	5,50	72 NBR 872	49051985	○
64,84	1,50	70 EPDM 281	49053490	○
64,84	5,30	70 EPDM 281	49053491	○
64,86	4,50	70 EPDM 281	49053492	○
64,86	4,99	70 EPDM 281	49053493	○
64,87	3,50	70 EPDM 281	49053494	○
64,87	3,50	72 NBR 872	49051986	○
64,90	3,00	70 EPDM 281	49053495	○
64,92	2,49	70 EPDM 281	49053496	○
64,92	2,69	70 EPDM 281	49053497	○
64,97	1,50	72 NBR 872	49051987	○
64,97	1,78	88 NBR 156	49048905	○
64,97	5,30	72 NBR 872	49051988	○
64,99	4,50	72 NBR 872	49051989	○
64,99	4,99	88 NBR 156	49048906	○
64,99	5,00	72 NBR 872	49051990	○
65,00	1,00	80 FKM 610	49050374	○
65,00	1,50	72 NBR 872	447808	●
65,00	1,50	80 FKM 610	49047807	○
65,00	1,80	72 NBR 872	447343	●
65,00	1,80	80 FKM 610	49050375	○
65,00	2,00	72 NBR 872	14451961	●
65,00	2,00	80 FKM 610	49050376	○
65,00	2,50	72 NBR 872	444723	●
65,00	2,50	80 FKM 610	49050377	○
65,00	3,00	72 NBR 872	445509	●
65,00	3,00	80 FKM 610	449570	●
65,00	3,00	88 NBR 156	60240	●
65,00	3,50	72 NBR 872	445070	●
65,00	3,50	80 FKM 610	49050378	○
65,00	3,80	72 NBR 872	49047224	○
65,00	4,00	70 EPDM 281	49047944	○
65,00	4,00	72 NBR 872	447879	●
65,00	4,00	80 FKM 610	49050379	○
65,00	4,50	70 EPDM 281	49047846	○
65,00	4,50	72 NBR 872	448818	●
65,00	4,50	80 FKM 610	49050380	○
65,00	5,00	70 EPDM 281	447298	●
65,00	5,00	72 NBR 872	445671	●
65,00	5,00	80 FKM 610	449571	●
65,00	5,30	72 NBR 872	49047768	○
65,00	6,00	72 NBR 872	14452247	●
65,00	6,00	80 FKM 610	49050381	○
65,01	3,51	72 NBR 872	49051991	○
65,01	3,51	88 NBR 156	49048907	○
65,03	3,00	88 NBR 156	49048908	○
65,05	2,50	88 NBR 156	49048909	○

d ₁	d ₂	Material	Article No.	
65,05	2,69	88 NBR 156	49048910	○
65,09	3,53	70 EPDM 281	49053498	○
65,09	3,53	72 NBR 872	49051992	○
65,09	3,53	80 FKM 610	49050382	○
65,32	2,51	72 NBR 872	49051993	○
65,40	5,02	72 NBR 872	49051994	○
65,50	4,04	72 NBR 872	49051995	○
65,59	5,95	88 NBR 156	49048911	○
65,63	2,99	72 NBR 872	49051996	○
65,76	3,51	70 EPDM 281	49053499	○
65,77	4,02	88 NBR 156	49048912	○
65,84	4,99	70 EPDM 281	49053500	○
65,88	4,00	70 EPDM 281	49053501	○
65,88	5,33	70 EPDM 281	49053502	○
65,88	6,49	70 EPDM 281	49053503	○
65,89	2,00	70 EPDM 281	49053504	○
65,89	2,59	70 EPDM 281	49053505	○
65,89	3,51	72 NBR 872	49051997	○
65,96	4,99	88 NBR 156	49048913	○
65,96	5,00	72 NBR 872	49051998	○
66,00	2,00	72 NBR 872	445603	●
66,00	2,00	80 FKM 610	49050383	○
66,00	3,00	70 EPDM 281	49047864	○
66,00	3,00	72 NBR 872	446483	●
66,00	3,00	80 FKM 610	49050384	○
66,00	4,00	70 EPDM 281	49047877	○
66,00	4,00	72 NBR 872	49051999	○
66,00	5,00	72 NBR 872	445808	●
66,00	5,00	80 FKM 610	49050385	○
66,00	5,33	72 NBR 872	49052000	○
66,00	5,33	88 NBR 156	49048914	○
66,00	6,00	70 EPDM 281	49047411	○
66,00	6,50	72 NBR 872	447809	●
66,00	8,02	72 NBR 872	49052001	○
66,00	8,02	88 NBR 156	49048915	○
66,00	10,00	72 NBR 872	49052002	○
66,02	2,01	88 NBR 156	49048916	○
66,02	2,59	72 NBR 872	49052003	○
66,02	2,59	88 NBR 156	49048917	○
66,04	5,33	70 EPDM 281	445891	●
66,04	5,33	72 NBR 872	49052004	○
66,04	5,33	80 FKM 610	49050386	○
66,07	3,00	70 EPDM 281	49053506	○
66,14	3,53	70 EPDM 281	49053507	○
66,20	3,00	72 NBR 872	49052005	○
66,26	2,62	70 EPDM 281	49053508	○
66,26	3,00	88 NBR 156	49048918	○
66,26	5,52	88 NBR 156	49048919	○
66,27	3,53	70 EPDM 281	49047397	○

● Available from stock

○ On request: Tool is available, delivery at short notice



d ₁	d ₂	Material	Article No.	
66,27	3,53	72 NBR 872	14451962	●
66,27	3,53	80 FKM 610	49050387	○
66,27	3,53	88 NBR 156	49048920	○
66,28	2,49	70 EPDM 281	49053509	○
66,33	3,53	70 EPDM 281	49053510	○
66,33	3,53	72 NBR 872	49052006	○
66,34	2,62	70 EPDM 281	447627	●
66,34	2,62	72 NBR 872	49052007	○
66,34	2,62	80 FKM 610	49050388	○
66,39	2,62	72 NBR 872	49052008	○
66,39	2,62	88 NBR 156	49048921	○
66,39	2,71	70 EPDM 281	49053511	○
66,40	1,78	70 EPDM 281	49053512	○
66,40	1,78	72 NBR 872	49052009	○
66,40	1,78	80 FKM 610	49050389	○
66,40	5,33	70 EPDM 281	49053513	○
66,40	5,33	72 NBR 872	49052010	○
66,40	5,33	80 FKM 610	49050390	○
66,41	2,50	72 NBR 872	49052011	○
66,52	2,71	72 NBR 872	49052012	○
66,68	3,53	70 EPDM 281	49053514	○
66,68	3,53	72 NBR 872	49052013	○
66,68	3,53	80 FKM 610	49050391	○
66,86	5,65	88 NBR 156	49048922	○
66,87	2,49	70 EPDM 281	49053515	○
66,89	1,50	70 EPDM 281	49053516	○
66,91	4,99	70 EPDM 281	49053517	○
66,98	2,81	88 NBR 156	49048923	○
67,00	1,50	72 NBR 872	446185	●
67,00	1,50	80 FKM 610	49050392	○
67,00	2,00	80 FKM 610	49050393	○
67,00	2,50	72 NBR 872	444803	●
67,00	2,50	80 FKM 610	49050394	○
67,00	2,50	88 NBR 156	49048924	○
67,00	2,80	72 NBR 872	3518	●
67,00	2,80	80 FKM 610	49050395	○
67,00	3,00	70 EPDM 281	49047560	○
67,00	3,00	72 NBR 872	445857	●
67,00	3,00	80 FKM 610	49050396	○
67,00	4,00	70 EPDM 281	447628	●
67,00	4,00	80 FKM 610	49050397	○
67,00	5,00	70 EPDM 281	49047735	○
67,00	5,00	80 FKM 610	49050398	○
67,02	1,50	72 NBR 872	49052014	○
67,04	3,00	70 EPDM 281	49053518	○
67,08	5,69	70 EPDM 281	49053519	○
67,17	3,00	72 NBR 872	49052015	○
67,17	3,00	88 NBR 156	49048925	○
67,20	3,00	88 NBR 156	63425	●
67,20	5,70	72 NBR 872	446448	●
67,20	5,70	80 FKM 610	49050399	○

d ₁	d ₂	Material	Article No.	
67,20	5,70	88 NBR 156	63427	●
67,21	5,69	72 NBR 872	49052016	○
67,26	5,02	70 EPDM 281	49053520	○
67,27	11,93	72 NBR 872	49052017	○
67,29	3,57	88 NBR 156	49048926	○
67,39	5,02	72 NBR 872	49052018	○
67,50	2,40	80 FKM 610	49050400	○
67,60	6,97	88 NBR 156	49048927	○
67,82	2,62	70 EPDM 281	49053521	○
67,82	3,00	70 EPDM 281	49053522	○
67,84	2,59	70 EPDM 281	49053523	○
67,84	6,00	70 EPDM 281	49053524	○
67,90	4,00	70 EPDM 281	49053525	○
67,94	2,62	70 EPDM 281	446180	●
67,95	2,62	70 EPDM 281	49053526	○
67,95	2,62	72 NBR 872	49052019	○
67,95	2,62	80 FKM 610	49050401	○
67,95	2,62	88 NBR 156	49048928	○
67,95	3,00	72 NBR 872	49052020	○
67,95	3,00	88 NBR 156	49048929	○
67,97	2,59	72 NBR 872	49052021	○
67,97	2,59	88 NBR 156	49048930	○
67,97	6,00	72 NBR 872	49052022	○
67,97	10,00	72 NBR 872	49052023	○
68,00	2,00	70 EPDM 281	49047685	○
68,00	2,00	72 NBR 872	445496	●
68,00	2,00	80 FKM 610	49050402	○
68,00	3,00	72 NBR 872	49047278	○
68,00	3,00	80 FKM 610	49050403	○
68,00	3,00	88 NBR 156	49047430	○
68,00	4,00	70 EPDM 281	49047878	○
68,00	4,00	72 NBR 872	445672	●
68,00	4,00	80 FKM 610	49050404	○
68,00	5,00	70 EPDM 281	49047717	○
68,00	5,00	72 NBR 872	445508	●
68,00	5,00	80 FKM 610	49050405	○
68,00	6,00	72 NBR 872	49047765	○
68,00	7,00	70 EPDM 281	49047398	○
68,00	7,00	72 NBR 872	49047225	○
68,00	12,00	72 NBR 872	49047887	○
68,03	4,00	72 NBR 872	49052024	○
68,03	4,00	88 NBR 156	49048931	○
68,03	4,97	88 NBR 156	49048932	○
68,23	3,51	88 NBR 156	49048933	○
68,26	3,53	70 EPDM 281	49053527	○
68,26	3,53	72 NBR 872	49052025	○
68,26	3,53	80 FKM 610	49050406	○
68,27	2,01	88 NBR 156	49048934	○
68,27	4,52	88 NBR 156	49048935	○

● Available from stock

○ On request: Tool is available, delivery at short notice



d ₁	d ₂	Material	Article No.	
68,62	2,49	70 EPDM 281	49053528	○
68,75	2,50	72 NBR 872	49052026	○
68,86	3,00	70 EPDM 281	49053529	○
69,00	2,10	80 FKM 610	49050407	○
69,00	3,00	72 NBR 872	49047280	○
69,00	3,00	80 FKM 610	49050408	○
69,00	4,00	80 FKM 610	49050409	○
69,00	6,00	72 NBR 872	447810	●
69,00	6,00	80 FKM 610	49050410	○
69,00	7,00	88 NBR 156	49048936	○
69,03	5,69	70 EPDM 281	49053530	○
69,09	5,28	70 EPDM 281	49053531	○
69,09	5,33	70 EPDM 281	49053532	○
69,16	5,69	72 NBR 872	49052027	○
69,16	5,69	88 NBR 156	49048937	○
69,20	5,53	80 FKM 610	49050411	○
69,20	5,70	72 NBR 872	448542	●
69,20	5,70	80 FKM 610	449572	●
69,20	5,70	88 NBR 156	60244	●
69,21	5,33	88 NBR 156	60245	●
69,22	5,28	72 NBR 872	49052028	○
69,22	5,33	70 EPDM 281	49053533	○
69,22	5,33	72 NBR 872	14451963	●
69,22	5,33	80 FKM 610	49050412	○
69,22	5,33	88 NBR 156	49048938	○
69,30	2,79	70 EPDM 281	49053534	○
69,34	3,53	70 EPDM 281	49053535	○
69,40	2,80	72 NBR 872	49047226	○
69,40	5,33	70 EPDM 281	49053536	○
69,43	2,79	72 NBR 872	49052029	○
69,43	2,79	88 NBR 156	49048939	○
69,44	3,53	70 EPDM 281	448051	●
69,44	3,53	72 NBR 872	49052030	○
69,44	3,53	80 FKM 610	49050413	○
69,44	3,53	88 NBR 156	49047345	○
69,47	3,53	72 NBR 872	49052031	○
69,47	3,53	88 NBR 156	49048940	○
69,50	3,00	80 FKM 610	449573	●
69,50	3,00	88 NBR 156	60247	●
69,52	2,62	70 EPDM 281	49053537	○
69,52	2,62	72 NBR 872	447880	●
69,52	2,62	80 FKM 610	49050414	○
69,53	5,33	72 NBR 872	49052032	○
69,53	5,33	88 NBR 156	49048941	○
69,54	3,53	70 EPDM 281	49053538	○
69,54	3,53	72 NBR 872	49052033	○
69,54	3,53	80 FKM 610	49050415	○
69,57	1,78	70 EPDM 281	49053539	○
69,57	1,78	72 NBR 872	446780	●
69,57	1,78	80 FKM 610	49050416	○
69,57	1,78	88 NBR 156	49048942	○

d ₁	d ₂	Material	Article No.	
69,60	2,40	80 FKM 610	49050417	○
69,84	4,00	70 EPDM 281	49053540	○
69,85	3,53	70 EPDM 281	49053541	○
69,85	3,53	72 NBR 872	14451964	●
69,85	3,53	80 FKM 610	49050418	○
69,86	1,50	70 EPDM 281	49053542	○
69,86	3,00	70 EPDM 281	49053543	○
69,87	4,99	70 EPDM 281	49053544	○
69,88	2,00	70 EPDM 281	49053545	○
69,88	2,49	70 EPDM 281	49053546	○
69,91	3,56	72 NBR 872	49052034	○
69,92	3,00	70 EPDM 281	49053547	○
69,98	3,51	72 NBR 872	49052035	○
69,98	3,51	88 NBR 156	49048943	○
69,98	4,00	72 NBR 872	49052036	○
69,98	4,00	88 NBR 156	49048944	○
70,00	1,50	70 EPDM 281	14450625	●
70,00	1,50	72 NBR 872	446449	●
70,00	1,50	80 FKM 610	49050419	○
70,00	2,00	72 NBR 872	49007084	●
70,00	2,00	80 FKM 610	449575	●
70,00	2,50	72 NBR 872	14452248	●
70,00	2,50	80 FKM 610	49050420	○
70,00	3,00	70 EPDM 281	49047748	○
70,00	3,00	72 NBR 872	445072	●
70,00	3,00	80 FKM 610	449576	●
70,00	3,00	88 NBR 156	49048945	○
70,00	3,50	72 NBR 872	445946	●
70,00	3,50	80 FKM 610	449577	●
70,00	4,00	70 EPDM 281	446399	●
70,00	4,00	72 NBR 872	445786	●
70,00	4,00	80 FKM 610	449578	●
70,00	4,00	88 NBR 156	49047306	○
70,00	4,50	70 EPDM 281	49047932	○
70,00	5,00	70 EPDM 281	448040	●
70,00	5,00	72 NBR 872	446088	●
70,00	5,00	80 FKM 610	449579	●
70,00	5,50	72 NBR 872	445762	●
70,00	5,50	80 FKM 610	49050421	○
70,00	7,00	70 EPDM 281	49053548	○
70,00	7,00	72 NBR 872	444765	●
70,00	7,00	80 FKM 610	49050422	○
70,00	7,00	88 NBR 156	49048946	○
70,00	8,00	72 NBR 872	445606	●
70,00	10,00	72 NBR 872	49047227	○
70,01	4,99	88 NBR 156	49048947	○
70,01	5,00	72 NBR 872	49052037	○
70,02	2,01	88 NBR 156	49048948	○
70,02	2,50	72 NBR 872	49052038	○

● Available from stock

○ On request: Tool is available, delivery at short notice



d ₁	d ₂	Material	Article No.	
70,04	5,50	88 NBR 156	49048949	○
70,06	3,00	88 NBR 156	49048950	○
70,27	2,01	88 NBR 156	49048951	○
70,27	4,52	88 NBR 156	49048952	○
70,33	1,50	70 EPDM 281	49053549	○
70,47	1,51	72 NBR 872	49052039	○
70,54	2,99	72 NBR 872	49052040	○
70,60	2,01	88 NBR 156	49048953	○
70,82	4,00	70 EPDM 281	49053550	○
70,84	3,00	70 EPDM 281	49053551	○
70,91	2,62	70 EPDM 281	49053552	○
70,96	4,00	72 NBR 872	49052041	○
70,96	4,00	88 NBR 156	49048954	○
70,97	3,00	72 NBR 872	49052042	○
70,97	3,00	88 NBR 156	49048955	○
71,00	3,00	72 NBR 872	445551	●
71,00	3,00	80 FKM 610	49050423	○
71,05	2,62	72 NBR 872	49052043	○
71,05	2,62	88 NBR 156	49048956	○
71,07	5,69	70 EPDM 281	49053553	○
71,12	2,62	70 EPDM 281	49053554	○
71,12	2,62	72 NBR 872	14451965	●
71,12	2,62	80 FKM 610	49050424	○
71,19	3,47	88 NBR 156	49048957	○
71,20	5,70	72 NBR 872	49047228	○
71,20	5,70	88 NBR 156	63428	●
71,21	5,69	88 NBR 156	49048958	○
71,36	1,50	70 EPDM 281	49053555	○
71,44	3,53	70 EPDM 281	49053556	○
71,44	3,53	72 NBR 872	14451966	●
71,44	3,53	80 FKM 610	49050425	○
71,50	1,50	72 NBR 872	445787	●
71,50	1,50	80 FKM 610	49050426	○
71,50	1,50	88 NBR 156	49048959	○
71,54	4,97	88 NBR 156	49048960	○
71,81	3,00	70 EPDM 281	49053557	○
71,83	2,00	70 EPDM 281	49053558	○
71,83	2,49	70 EPDM 281	49053559	○
71,83	6,00	70 EPDM 281	49053560	○
71,83	6,20	70 EPDM 281	49053561	○
71,83	6,49	70 EPDM 281	49053562	○
71,85	5,50	70 EPDM 281	49053563	○
71,89	4,00	70 EPDM 281	49053564	○
71,95	3,00	72 NBR 872	49052044	○
71,95	3,00	88 NBR 156	49048961	○
71,97	2,50	72 NBR 872	49052045	○
71,97	2,50	88 NBR 156	49048962	○
71,97	6,00	72 NBR 872	49052046	○
71,97	6,21	72 NBR 872	49052047	○
71,97	6,50	72 NBR 872	49052048	○
71,98	1,52	72 NBR 872	49052049	○

d ₁	d ₂	Material	Article No.	
71,99	5,50	72 NBR 872	49052050	○
71,99	5,50	88 NBR 156	49048963	○
72,00	2,00	72 NBR 872	14451967	●
72,00	2,00	80 FKM 610	49050427	○
72,00	2,10	80 FKM 610	49050428	○
72,00	2,50	70 EPDM 281	49047399	○
72,00	2,50	72 NBR 872	445654	●
72,00	2,50	80 FKM 610	49050429	○
72,00	3,00	70 EPDM 281	327763	●
72,00	3,00	72 NBR 872	444811	●
72,00	3,00	80 FKM 610	49050430	○
72,00	3,50	80 FKM 610	49050431	○
72,00	4,00	70 EPDM 281	14450602	●
72,00	4,00	72 NBR 872	445684	●
72,00	4,00	80 FKM 610	49050432	○
72,00	5,00	72 NBR 872	445825	●
72,00	5,00	80 FKM 610	49050433	○
72,00	5,50	72 NBR 872	446149	●
72,00	5,50	80 FKM 610	49050434	○
72,00	6,50	72 NBR 872	3687	●
72,00	7,00	72 NBR 872	3691	●
72,03	4,00	72 NBR 872	49052051	○
72,03	4,00	88 NBR 156	49048964	○
72,07	5,02	70 EPDM 281	49053565	○
72,12	2,49	70 EPDM 281	49053566	○
72,20	5,33	70 EPDM 281	49053567	○
72,20	5,70	72 NBR 872	445797	●
72,20	5,70	80 FKM 610	49050435	○
72,20	5,70	88 NBR 156	63429	●
72,21	5,02	72 NBR 872	49052052	○
72,22	5,65	88 NBR 156	49048965	○
72,26	2,50	72 NBR 872	49052053	○
72,26	2,50	88 NBR 156	49048966	○
72,34	5,33	72 NBR 872	49052054	○
72,36	5,33	88 NBR 156	49048967	○
72,37	4,00	70 EPDM 281	49053568	○
72,39	5,33	70 EPDM 281	447397	●
72,39	5,33	72 NBR 872	49047828	○
72,39	5,33	80 FKM 610	49050436	○
72,40	6,30	80 FKM 610	49050437	○
72,48	3,53	70 EPDM 281	49053569	○
72,48	3,57	70 EPDM 281	49053570	○
72,51	4,00	72 NBR 872	49052055	○
72,62	3,53	70 EPDM 281	447629	●
72,62	3,53	72 NBR 872	49052056	○
72,62	3,53	80 FKM 610	49050438	○
72,62	3,53	88 NBR 156	49048968	○
72,62	3,57	72 NBR 872	49052057	○
72,65	1,78	70 EPDM 281	49053571	○

● Available from stock

○ On request: Tool is available, delivery at short notice



d ₁	d ₂	Material	Article No.	
72,69	2,62	70 EPDM 281	447630	●
72,69	2,62	72 NBR 872	49052058	○
72,69	2,62	80 FKM 610	49050439	○
72,70	2,49	70 EPDM 281	49053572	○
72,75	1,78	70 EPDM 281	49053573	○
72,75	1,78	72 NBR 872	49052059	○
72,75	1,78	80 FKM 610	14450599	●
72,76	2,62	70 EPDM 281	49053574	○
72,79	1,78	72 NBR 872	49052060	○
72,79	1,78	88 NBR 156	49048969	○
72,82	1,50	70 EPDM 281	49053575	○
72,82	5,01	70 EPDM 281	49053576	○
72,82	5,37	72 NBR 872	49052061	○
72,85	2,50	72 NBR 872	49052062	○
72,85	2,50	88 NBR 156	49048970	○
72,90	2,62	72 NBR 872	49052063	○
72,90	2,62	88 NBR 156	49048971	○
72,96	1,50	72 NBR 872	49052064	○
72,96	3,04	70 EPDM 281	49053577	○
72,96	5,00	72 NBR 872	49052065	○
72,96	5,01	88 NBR 156	49048972	○
73,00	2,65	80 FKM 610	49050440	○
73,00	3,00	72 NBR 872	14451968	●
73,00	3,00	80 FKM 610	49050441	○
73,00	4,00	80 FKM 610	49050442	○
73,00	5,00	72 NBR 872	445826	●
73,00	5,00	80 FKM 610	49050443	○
73,00	6,00	72 NBR 872	445910	●
73,00	6,00	80 FKM 610	49050444	○
73,00	6,99	80 FKM 610	49050445	○
73,03	3,53	70 EPDM 281	447631	●
73,03	3,53	72 NBR 872	49052066	○
73,03	3,53	80 FKM 610	49050446	○
73,10	3,04	72 NBR 872	49052067	○
73,13	1,98	70 EPDM 281	49053578	○
73,27	1,99	88 NBR 156	49048973	○
73,50	2,00	72 NBR 872	49047727	○
73,50	5,00	80 FKM 610	49050447	○
73,65	5,00	72 NBR 872	49052068	○
73,83	4,00	70 EPDM 281	49053579	○
73,85	3,00	70 EPDM 281	49053580	○
73,87	2,00	70 EPDM 281	49053581	○
73,96	3,06	70 EPDM 281	49053582	○
73,98	4,00	72 NBR 872	49052069	○
73,98	4,00	88 NBR 156	49048974	○
74,00	2,00	72 NBR 872	444492	●
74,00	2,00	80 FKM 610	449580	●
74,00	2,50	80 FKM 610	49050448	○
74,00	3,00	70 EPDM 281	49047935	○
74,00	3,00	72 NBR 872	445647	●
74,00	3,00	80 FKM 610	49047824	○

d ₁	d ₂	Material	Article No.	
74,00	3,00	88 NBR 156	60249	●
74,00	3,50	80 FKM 610	49050449	○
74,00	4,00	72 NBR 872	447929	●
74,00	4,00	80 FKM 610	49050450	○
74,00	4,50	72 NBR 872	14451969	●
74,00	4,50	80 FKM 610	49050451	○
74,02	2,01	88 NBR 156	49048975	○
74,02	3,96	88 NBR 156	49048976	○
74,09	5,69	70 EPDM 281	49053583	○
74,10	3,06	72 NBR 872	49052070	○
74,10	3,06	88 NBR 156	49048977	○
74,20	5,70	72 NBR 872	446125	●
74,20	5,70	80 FKM 610	449581	●
74,20	5,70	88 NBR 156	60250	●
74,23	5,69	72 NBR 872	49052071	○
74,23	5,69	88 NBR 156	49048978	○
74,30	1,80	80 FKM 610	49050452	○
74,30	2,62	70 EPDM 281	49053584	○
74,30	2,62	72 NBR 872	49052072	○
74,30	2,62	80 FKM 610	49050453	○
74,30	5,70	80 FKM 610	49050454	○
74,50	3,00	70 EPDM 281	447444	●
74,50	3,00	72 NBR 872	444806	●
74,50	3,00	80 FKM 610	449582	●
74,50	3,00	88 NBR 156	60251	●
74,50	5,05	70 EPDM 281	49053585	○
74,52	7,46	88 NBR 156	49048979	○
74,61	3,53	70 EPDM 281	447632	●
74,61	3,53	72 NBR 872	49052073	○
74,61	3,53	80 FKM 610	49050455	○
74,63	3,51	88 NBR 156	49048980	○
74,63	5,33	70 EPDM 281	49053586	○
74,63	5,33	72 NBR 872	14451970	●
74,63	5,33	80 FKM 610	49050456	○
74,65	5,05	72 NBR 872	49052074	○
74,70	2,40	72 NBR 872	49052075	○
74,81	4,00	70 EPDM 281	49053587	○
74,82	3,00	70 EPDM 281	49053588	○
74,84	2,00	70 EPDM 281	49053589	○
74,84	2,49	70 EPDM 281	49053590	○
74,84	6,00	70 EPDM 281	49053591	○
74,86	1,50	70 EPDM 281	49053592	○
74,86	2,69	70 EPDM 281	49053593	○
74,86	5,50	70 EPDM 281	49053594	○
74,88	4,99	70 EPDM 281	49053595	○
74,95	4,00	72 NBR 872	49052076	○
74,95	4,00	88 NBR 156	49048981	○
74,96	5,01	70 EPDM 281	49053596	○
74,97	3,00	72 NBR 872	49052077	○

● Available from stock

○ On request: Tool is available, delivery at short notice



d ₁	d ₂	Material	Article No.	
74,97	3,00	88 NBR 156	49048982	○
74,99	2,50	72 NBR 872	49052078	○
74,99	6,00	72 NBR 872	49052079	○
74,99	6,00	88 NBR 156	49048983	○
75,00	1,50	80 FKM 610	49047833	○
75,00	2,00	70 EPDM 281	49047914	○
75,00	2,00	72 NBR 872	14452249	●
75,00	2,00	80 FKM 610	49050457	○
75,00	2,50	72 NBR 872	445827	●
75,00	2,50	80 FKM 610	49050458	○
75,00	2,70	72 NBR 872	49047229	○
75,00	2,70	80 FKM 610	449583	●
75,00	3,00	70 EPDM 281	49047617	○
75,00	3,00	72 NBR 872	446526	●
75,00	3,00	80 FKM 610	449584	●
75,00	3,50	72 NBR 872	14452250	●
75,00	3,50	80 FKM 610	49050459	○
75,00	3,50	88 NBR 156	49047446	○
75,00	4,00	72 NBR 872	3776	●
75,00	4,00	80 FKM 610	49050460	○
75,00	5,00	72 NBR 872	445502	●
75,00	5,00	80 FKM 610	449585	●
75,00	5,00	88 NBR 156	49047440	○
75,00	5,50	72 NBR 872	49047230	○
75,00	6,00	70 EPDM 281	49047381	○
75,00	6,00	72 NBR 872	447881	●
75,00	6,00	80 FKM 610	49050461	○
75,00	6,11	70 EPDM 281	49053597	○
75,00	7,50	72 NBR 872	49047231	○
75,00	8,00	72 NBR 872	447187	●
75,00	10,00	72 NBR 872	3813	●
75,01	1,50	72 NBR 872	49052080	○
75,01	2,69	72 NBR 872	49052081	○
75,01	2,69	88 NBR 156	49048984	○
75,01	5,50	72 NBR 872	49052082	○
75,01	5,50	88 NBR 156	49048985	○
75,03	4,99	88 NBR 156	49048986	○
75,03	5,00	72 NBR 872	49052083	○
75,11	5,00	72 NBR 872	49052084	○
75,15	5,02	70 EPDM 281	49053598	○
75,15	6,12	72 NBR 872	49052085	○
75,26	1,78	70 EPDM 281	49053599	○
75,26	1,78	72 NBR 872	49052086	○
75,26	1,78	80 FKM 610	49050462	○
75,29	4,52	88 NBR 156	49048987	○
75,29	5,02	72 NBR 872	49052087	○
75,34	3,51	88 NBR 156	49048988	○
75,56	5,33	70 EPDM 281	447633	●
75,57	5,33	70 EPDM 281	49053600	○
75,57	5,33	72 NBR 872	49047518	○
75,57	5,33	80 FKM 610	49050463	○

d ₁	d ₂	Material	Article No.	
75,58	6,11	70 EPDM 281	49053601	○
75,61	5,28	88 NBR 156	49048989	○
75,70	2,62	70 EPDM 281	49053602	○
75,73	6,12	72 NBR 872	49052088	○
75,74	1,78	70 EPDM 281	49053603	○
75,79	3,53	70 EPDM 281	49053604	○
75,79	3,53	72 NBR 872	49052089	○
75,79	3,53	80 FKM 610	49050464	○
75,82	2,49	70 EPDM 281	49053605	○
75,83	7,03	88 NBR 156	49048990	○
75,85	2,62	72 NBR 872	49052090	○
75,85	2,62	88 NBR 156	49048991	○
75,86	3,00	70 EPDM 281	49053606	○
75,86	6,00	70 EPDM 281	49053607	○
75,87	2,62	70 EPDM 281	447882	●
75,87	2,62	72 NBR 872	49052091	○
75,87	2,62	80 FKM 610	49050465	○
75,88	4,00	70 EPDM 281	49053608	○
75,89	1,78	72 NBR 872	49052092	○
75,89	1,78	88 NBR 156	49048992	○
75,92	1,78	70 EPDM 281	49053609	○
75,92	1,78	72 NBR 872	14452101	●
75,92	1,78	80 FKM 610	49050466	○
75,96	2,50	72 NBR 872	49052093	○
75,96	2,50	88 NBR 156	49048993	○
76,00	1,20	80 FKM 610	49050467	○
76,00	1,40	72 NBR 872	49047530	○
76,00	1,40	80 FKM 610	49050468	○
76,00	2,00	72 NBR 872	14452251	●
76,00	2,00	80 FKM 610	49050469	○
76,00	2,50	70 EPDM 281	49047899	○
76,00	2,50	72 NBR 872	445639	●
76,00	2,50	80 FKM 610	49050470	○
76,00	3,00	72 NBR 872	444796	●
76,00	3,00	80 FKM 610	14451413	●
76,00	3,00	88 NBR 156	49048994	○
76,00	4,00	72 NBR 872	445557	●
76,00	4,00	80 FKM 610	49050471	○
76,00	6,00	72 NBR 872	49052094	○
76,02	4,00	72 NBR 872	49052095	○
76,15	3,00	72 NBR 872	49052096	○
76,19	1,99	72 NBR 872	49052097	○
76,36	4,00	70 EPDM 281	49053610	○
76,39	2,65	72 NBR 872	49052098	○
76,50	4,00	80 FKM 610	49050472	○
76,51	4,00	72 NBR 872	49052099	○
76,55	2,98	88 NBR 156	49048995	○
76,71	3,02	88 NBR 156	49048996	○
76,74	2,40	72 NBR 872	49052100	○

● Available from stock

○ On request: Tool is available, delivery at short notice



d ₁	d ₂	Material	Article No.	
76,89	2,00	70 EPDM 281	49053611	○
77,00	3,00	72 NBR 872	49047510	○
77,00	3,00	80 FKM 610	49050473	○
77,00	4,97	88 NBR 156	49048997	○
77,00	5,00	72 NBR 872	14450105	●
77,00	5,00	80 FKM 610	49050474	○
77,04	4,00	70 EPDM 281	49053612	○
77,19	4,00	72 NBR 872	49052101	○
77,19	4,00	88 NBR 156	49048998	○
77,20	5,70	72 NBR 872	448072	●
77,20	5,70	80 FKM 610	49050475	○
77,20	5,70	88 NBR 156	49047339	○
77,29	5,65	88 NBR 156	49048999	○
77,33	2,40	72 NBR 872	49052102	○
77,33	2,40	88 NBR 156	49049000	○
77,50	2,62	70 EPDM 281	49053613	○
77,50	2,62	72 NBR 872	14452102	●
77,50	2,62	80 FKM 610	49050476	○
77,50	6,00	72 NBR 872	49047957	○
77,52	3,96	88 NBR 156	49049001	○
77,54	1,11	88 NBR 156	49049002	○
77,54	1,60	72 NBR 872	49052103	○
77,54	1,60	88 NBR 156	49049003	○
77,80	5,33	70 EPDM 281	49053614	○
77,84	3,00	70 EPDM 281	49053615	○
77,95	5,33	72 NBR 872	49052104	○
77,95	5,33	88 NBR 156	49049004	○
77,99	3,00	72 NBR 872	49052105	○
77,99	3,00	88 NBR 156	49049005	○
78,00	1,25	80 FKM 610	49050477	○
78,00	1,40	80 FKM 610	49050478	○
78,00	2,00	72 NBR 872	14452252	●
78,00	2,00	80 FKM 610	49050479	○
78,00	3,00	72 NBR 872	445512	●
78,00	3,00	80 FKM 610	14451430	●
78,00	3,30	80 FKM 610	49050480	○
78,00	4,00	80 FKM 610	49050481	○
78,00	4,30	80 FKM 610	49050482	○
78,00	5,00	72 NBR 872	444531	●
78,00	5,00	80 FKM 610	49050483	○
78,00	5,50	72 NBR 872	3862	●
78,07	4,97	88 NBR 156	49049006	○
78,09	1,53	72 NBR 872	49052106	○
78,19	1,25	72 NBR 872	49052107	○
78,35	6,00	70 EPDM 281	49053616	○
78,38	2,50	70 EPDM 281	49053617	○
78,38	2,50	72 NBR 872	49052108	○
78,46	3,51	88 NBR 156	49049007	○
78,48	2,82	88 NBR 156	49049008	○
78,50	6,00	72 NBR 872	3866	●
78,50	6,00	88 NBR 156	49049009	○

d ₁	d ₂	Material	Article No.	
78,52	5,33	70 EPDM 281	49053618	○
78,66	4,98	70 EPDM 281	49053619	○
78,67	5,33	72 NBR 872	49052109	○
78,67	5,33	88 NBR 156	49049010	○
78,69	2,98	88 NBR 156	49049011	○
78,74	5,33	70 EPDM 281	447634	●
78,74	5,33	72 NBR 872	49052110	○
78,74	5,33	80 FKM 610	449586	●
78,75	3,00	80 FKM 610	49050484	○
78,81	4,98	72 NBR 872	49052111	○
78,83	2,49	70 EPDM 281	49053620	○
78,97	3,53	70 EPDM 281	447635	●
78,97	3,53	72 NBR 872	49052112	○
78,97	3,53	80 FKM 610	49050485	○
78,99	2,50	72 NBR 872	49052113	○
78,99	2,50	88 NBR 156	49049012	○
79,00	3,00	70 EPDM 281	49047688	○
79,00	6,00	80 FKM 610	49050486	○
79,00	7,00	70 EPDM 281	49053621	○
79,00	7,00	72 NBR 872	14452103	●
79,00	7,00	80 FKM 610	49050487	○
79,05	5,69	70 EPDM 281	49053622	○
79,10	2,00	80 FKM 610	49050488	○
79,14	3,51	88 NBR 156	49049013	○
79,16	1,99	72 NBR 872	49052114	○
79,20	5,69	72 NBR 872	49052115	○
79,20	5,69	88 NBR 156	49049014	○
79,20	5,70	70 EPDM 281	448871	●
79,20	5,70	72 NBR 872	445937	●
79,20	5,70	80 FKM 610	449587	●
79,20	5,70	88 NBR 156	60252	●
79,30	3,00	70 EPDM 281	49053623	○
79,30	5,70	80 FKM 610	49050489	○
79,31	2,01	88 NBR 156	49049015	○
79,40	2,00	80 FKM 610	49050490	○
79,45	3,00	72 NBR 872	49052116	○
79,50	3,00	72 NBR 872	445640	●
79,50	3,00	80 FKM 610	49050491	○
79,50	3,00	88 NBR 156	60256	●
79,51	3,56	72 NBR 872	49052117	○
79,51	3,56	88 NBR 156	49049016	○
79,77	5,33	70 EPDM 281	49053624	○
79,77	5,33	72 NBR 872	49052118	○
79,77	5,33	80 FKM 610	49050492	○
79,81	2,00	70 EPDM 281	49053625	○
79,81	2,49	70 EPDM 281	49053626	○
79,84	4,99	70 EPDM 281	49053627	○
79,84	6,00	70 EPDM 281	49053628	○
79,86	3,80	70 EPDM 281	49053629	○

● Available from stock

○ On request: Tool is available, delivery at short notice



d ₁	d ₂	Material	Article No.	
79,86	4,00	70 EPDM 281	49053630	○
79,88	3,00	70 EPDM 281	49053631	○
79,96	2,01	88 NBR 156	49049017	○
79,96	2,20	72 NBR 872	49052119	○
79,96	2,50	72 NBR 872	49052120	○
79,99	5,33	70 EPDM 281	49053632	○
79,99	5,33	72 NBR 872	49052121	○
79,99	5,33	80 FKM 610	49050493	○
80,00	1,50	72 NBR 872	14452104	●
80,00	1,50	80 FKM 610	49050494	○
80,00	2,00	70 EPDM 281	49047929	○
80,00	2,00	72 NBR 872	445687	●
80,00	2,00	80 FKM 610	49050495	○
80,00	2,50	72 NBR 872	445809	●
80,00	2,50	80 FKM 610	49050496	○
80,00	2,80	72 NBR 872	446089	●
80,00	2,80	80 FKM 610	49050497	○
80,00	3,00	70 EPDM 281	49047476	○
80,00	3,00	72 NBR 872	444698	●
80,00	3,00	80 FKM 610	449588	●
80,00	3,00	88 NBR 156	60257	●
80,00	3,80	72 NBR 872	445810	●
80,00	3,80	80 FKM 610	49050498	○
80,00	4,00	70 EPDM 281	49047615	○
80,00	4,00	72 NBR 872	444768	●
80,00	4,00	80 FKM 610	449589	●
80,00	5,00	70 EPDM 281	448375	●
80,00	5,00	72 NBR 872	445828	●
80,00	5,00	72 NBR 872	49052122	○
80,00	5,00	80 FKM 610	449590	●
80,00	5,00	88 NBR 156	49047741	○
80,00	5,50	72 NBR 872	49047232	○
80,00	6,00	72 NBR 872	49052123	○
80,00	8,00	72 NBR 872	49047233	○
80,00	11,00	72 NBR 872	49047371	○
80,02	3,80	72 NBR 872	49052124	○
80,02	4,00	72 NBR 872	49052125	○
80,02	4,48	72 NBR 872	49052126	○
80,04	3,00	88 NBR 156	49049018	○
80,35	3,57	88 NBR 156	49049019	○
80,41	1,50	70 EPDM 281	49053633	○
80,50	1,50	72 NBR 872	446090	●
80,50	1,50	80 FKM 610	49050499	○
80,57	1,50	88 NBR 156	49049020	○
80,60	2,00	80 FKM 610	49050500	○
80,78	2,00	70 EPDM 281	49053634	○
80,79	3,53	70 EPDM 281	49053635	○
80,85	4,00	70 EPDM 281	49053636	○
80,94	2,01	88 NBR 156	49049021	○
80,94	3,53	70 EPDM 281	49053637	○
80,95	3,53	72 NBR 872	49052127	○

d ₁	d ₂	Material	Article No.	
80,95	3,53	88 NBR 156	49049022	○
81,00	2,00	72 NBR 872	49023897	●
81,00	2,00	80 FKM 610	49050501	○
81,00	4,00	80 FKM 610	49050502	○
81,09	5,69	70 EPDM 281	49053638	○
81,19	5,70	70 EPDM 281	49053639	○
81,20	5,70	72 NBR 872	49047234	○
81,20	5,70	88 NBR 156	49047340	○
81,50	1,25	80 FKM 610	49050503	○
81,75	5,33	70 EPDM 281	49053640	○
81,83	3,00	70 EPDM 281	49053641	○
81,85	2,49	70 EPDM 281	49053642	○
81,91	5,33	70 EPDM 281	447637	●
81,91	5,33	88 NBR 156	49049023	○
81,92	5,33	70 EPDM 281	49053643	○
81,92	5,33	72 NBR 872	49047551	○
81,92	5,33	80 FKM 610	49050504	○
81,96	5,01	70 EPDM 281	49053644	○
81,97	8,00	72 NBR 872	49052128	○
81,98	3,53	70 EPDM 281	49053645	○
81,99	3,00	72 NBR 872	49052129	○
82,00	3,00	72 NBR 872	447249	●
82,00	3,00	80 FKM 610	49050505	○
82,00	4,00	72 NBR 872	445858	●
82,00	4,00	80 FKM 610	49050506	○
82,00	5,00	72 NBR 872	449021	●
82,00	5,00	80 FKM 610	49050507	○
82,00	5,00	88 NBR 156	60258	●
82,00	5,50	72 NBR 872	3969	●
82,00	5,50	80 FKM 610	49050508	○
82,00	8,00	72 NBR 872	49047235	○
82,01	2,50	72 NBR 872	49052130	○
82,01	12,00	72 NBR 872	49052131	○
82,02	2,62	70 EPDM 281	49053646	○
82,03	5,00	72 NBR 872	49052132	○
82,03	5,01	88 NBR 156	49049024	○
82,12	5,00	72 NBR 872	49052133	○
82,14	3,53	72 NBR 872	448519	●
82,14	3,53	80 FKM 610	49050509	○
82,14	3,53	88 NBR 156	49049025	○
82,18	2,62	72 NBR 872	49052134	○
82,18	2,62	88 NBR 156	49049026	○
82,20	5,70	72 NBR 872	49047564	○
82,20	5,70	80 FKM 610	49050510	○
82,20	5,70	88 NBR 156	63434	●
82,22	2,62	70 EPDM 281	14450858	●
82,22	2,62	72 NBR 872	49052135	○
82,22	2,62	80 FKM 610	49050511	○
82,22	3,53	70 EPDM 281	49053647	○

● Available from stock

○ On request: Tool is available, delivery at short notice



d ₁	d ₂	Material	Article No.	
82,22	3,53	72 NBR 872	49052136	○
82,27	1,78	70 EPDM 281	49053648	○
82,27	1,78	72 NBR 872	49052137	○
82,27	1,78	80 FKM 610	49050512	○
82,33	2,00	70 EPDM 281	49053649	○
82,34	3,53	70 EPDM 281	49053650	○
82,36	5,00	72 NBR 872	49052138	○
82,50	1,25	80 FKM 610	49050513	○
82,50	2,01	88 NBR 156	49049027	○
82,50	3,53	72 NBR 872	49052139	○
82,50	3,53	88 NBR 156	49049028	○
82,80	3,00	70 EPDM 281	49053651	○
82,82	2,00	70 EPDM 281	49053652	○
82,82	6,00	70 EPDM 281	49053653	○
82,84	4,99	70 EPDM 281	49053654	○
82,84	5,50	70 EPDM 281	49053655	○
82,96	3,00	72 NBR 872	49052140	○
82,96	3,00	88 NBR 156	49049029	○
82,98	2,50	70 EPDM 281	49053656	○
82,98	2,50	72 NBR 872	49052141	○
82,98	6,00	72 NBR 872	49052142	○
83,00	2,00	72 NBR 872	49047671	○
83,00	3,00	70 EPDM 281	49047829	○
83,00	3,00	72 NBR 872	444787	●
83,00	3,00	80 FKM 610	49050514	○
83,00	4,99	88 NBR 156	49049030	○
83,00	5,00	72 NBR 872	49052143	○
83,00	5,00	80 FKM 610	49050515	○
83,00	5,50	72 NBR 872	446126	●
83,00	5,50	80 FKM 610	49050516	○
83,00	7,00	70 EPDM 281	49047834	○
83,00	7,00	72 NBR 872	49052144	○
83,00	7,00	80 FKM 610	49050517	○
83,79	2,00	70 EPDM 281	49053657	○
83,97	3,72	70 EPDM 281	49053658	○
84,00	2,00	72 NBR 872	447817	●
84,00	2,00	80 FKM 610	49050518	○
84,00	3,00	70 EPDM 281	49047377	○
84,00	3,00	72 NBR 872	445655	●
84,00	3,00	80 FKM 610	49050519	○
84,00	3,50	72 NBR 872	14452253	●
84,00	3,50	80 FKM 610	49050520	○
84,00	3,51	72 NBR 872	49052145	○
84,00	4,00	72 NBR 872	445900	●
84,00	4,00	80 FKM 610	49050521	○
84,00	8,59	72 NBR 872	49052146	○
84,10	5,70	80 FKM 610	49050522	○
84,20	5,70	72 NBR 872	445911	●
84,20	5,70	80 FKM 610	49050523	○
84,20	5,70	88 NBR 156	49047307	○
84,30	5,70	80 FKM 610	49050524	○

d ₁	d ₂	Material	Article No.	
84,38	2,49	70 EPDM 281	49053659	○
84,50	3,00	80 FKM 610	49050525	○
84,50	3,00	88 NBR 156	60260	●
84,55	5,33	70 EPDM 281	49053660	○
84,72	5,33	72 NBR 872	49052147	○
84,72	5,33	88 NBR 156	49049031	○
84,81	4,99	70 EPDM 281	49053661	○
84,82	4,00	70 EPDM 281	49053662	○
84,83	5,30	70 EPDM 281	49053663	○
84,84	3,00	70 EPDM 281	49053664	○
84,86	2,00	70 EPDM 281	49053665	○
84,86	2,49	70 EPDM 281	49053666	○
84,86	6,00	70 EPDM 281	49053667	○
84,92	5,33	70 EPDM 281	49053668	○
84,97	4,99	88 NBR 156	49049032	○
84,97	5,00	72 NBR 872	49052148	○
84,99	3,51	72 NBR 872	49052149	○
84,99	4,00	72 NBR 872	49052150	○
84,99	4,00	88 NBR 156	49049033	○
85,00	2,00	72 NBR 872	444485	●
85,00	2,00	80 FKM 610	49050526	○
85,00	2,50	72 NBR 872	444722	●
85,00	2,50	80 FKM 610	49050527	○
85,00	3,00	72 NBR 872	444780	●
85,00	3,00	80 FKM 610	449592	●
85,00	3,00	88 NBR 156	60261	●
85,00	3,50	72 NBR 872	49047236	○
85,00	4,00	70 EPDM 281	446584	●
85,00	4,00	72 NBR 872	444490	●
85,00	4,00	80 FKM 610	49050528	○
85,00	5,00	70 EPDM 281	49047923	○
85,00	5,00	72 NBR 872	447202	●
85,00	5,00	80 FKM 610	449593	●
85,00	5,30	72 NBR 872	49052151	○
85,00	5,30	88 NBR 156	49047742	○
85,00	6,00	72 NBR 872	447818	●
85,00	6,00	80 FKM 610	49050529	○
85,00	7,00	72 NBR 872	49047237	○
85,00	10,00	72 NBR 872	49052152	○
85,01	3,00	72 NBR 872	49052153	○
85,01	3,00	88 NBR 156	49049034	○
85,03	2,01	88 NBR 156	49049035	○
85,03	2,50	72 NBR 872	49052154	○
85,03	2,50	88 NBR 156	49049036	○
85,03	6,00	72 NBR 872	49052155	○
85,09	5,33	70 EPDM 281	49047787	○
85,09	5,33	72 NBR 872	448219	●
85,09	5,33	80 FKM 610	49050530	○
85,09	5,33	88 NBR 156	49049037	○

● Available from stock

○ On request: Tool is available, delivery at short notice



d ₁	d ₂	Material	Article No.	
85,19	3,53	70 EPDM 281	49053669	○
85,26	5,33	70 EPDM 281	49053670	○
85,30	1,00	80 FKM 610	49050531	○
85,32	3,53	70 EPDM 281	49053671	○
85,32	3,53	72 NBR 872	14452106	●
85,32	3,53	80 FKM 610	49047653	○
85,36	3,53	72 NBR 872	49052156	○
85,36	3,53	88 NBR 156	49049038	○
85,42	5,33	70 EPDM 281	49053672	○
85,42	5,33	72 NBR 872	49052157	○
85,43	5,33	88 NBR 156	49049039	○
85,48	4,09	88 NBR 156	49049040	○
85,50	4,99	70 EPDM 281	49053673	○
85,50	5,00	72 NBR 872	49052158	○
85,82	3,00	70 EPDM 281	49053674	○
85,84	2,00	70 EPDM 281	49053675	○
85,84	2,49	70 EPDM 281	49053676	○
85,84	6,00	70 EPDM 281	49053677	○
85,86	1,50	70 EPDM 281	49053678	○
85,98	3,00	72 NBR 872	49052159	○
86,00	1,99	72 NBR 872	49052160	○
86,00	2,00	72 NBR 872	445704	●
86,00	2,00	80 FKM 610	49047858	○
86,00	2,01	88 NBR 156	49049041	○
86,00	2,50	72 NBR 872	49047238	○
86,00	3,00	72 NBR 872	49047431	○
86,00	4,00	80 FKM 610	49050532	○
86,00	4,10	72 NBR 872	448075	●
86,00	4,10	80 FKM 610	49050533	○
86,00	4,50	72 NBR 872	447820	●
86,00	4,50	80 FKM 610	49050534	○
86,00	6,00	70 EPDM 281	49047385	○
86,00	6,00	72 NBR 872	49047239	○
86,02	1,50	72 NBR 872	49052161	○
86,32	2,49	70 EPDM 281	49053679	○
86,45	4,97	88 NBR 156	49049042	○
86,49	2,50	72 NBR 872	49052162	○
86,49	2,50	88 NBR 156	49049043	○
86,50	1,25	80 FKM 610	49050535	○
86,50	5,00	80 FKM 610	49050536	○
86,67	5,02	70 EPDM 281	49053680	○
86,84	5,02	72 NBR 872	49052163	○
87,00	2,00	80 FKM 610	49050537	○
87,00	3,00	72 NBR 872	14452107	●
87,00	3,00	80 FKM 610	49050538	○
87,00	4,00	70 EPDM 281	49047917	○
87,00	5,00	72 NBR 872	448660	●
87,00	5,00	80 FKM 610	49050539	○
87,02	5,69	70 EPDM 281	49053681	○
87,17	2,40	72 NBR 872	49052164	○
87,19	5,69	72 NBR 872	49052165	○

d ₁	d ₂	Material	Article No.	
87,20	5,70	72 NBR 872	448123	●
87,20	5,70	80 FKM 610	49050540	○
87,20	5,70	88 NBR 156	63435	●
87,78	2,00	70 EPDM 281	49053682	○
87,84	4,00	70 EPDM 281	49053683	○
87,86	3,00	70 EPDM 281	49053684	○
87,95	2,01	88 NBR 156	49049044	○
87,99	12,00	72 NBR 872	49052166	○
88,00	2,00	72 NBR 872	49047429	○
88,00	3,00	70 EPDM 281	448819	●
88,00	3,00	72 NBR 872	49007107	●
88,00	3,00	80 FKM 610	49047654	○
88,00	3,50	72 NBR 872	14452108	●
88,00	3,50	80 FKM 610	49050541	○
88,00	4,00	70 EPDM 281	447639	●
88,00	4,00	80 FKM 610	49050542	○
88,00	5,00	72 NBR 872	444761	●
88,00	5,00	80 FKM 610	49050543	○
88,00	6,00	72 NBR 872	445870	●
88,00	6,00	80 FKM 610	49050544	○
88,00	7,00	70 EPDM 281	49053685	○
88,00	7,00	72 NBR 872	49052167	○
88,00	7,00	80 FKM 610	49050545	○
88,00	8,00	72 NBR 872	49052168	○
88,00	12,00	72 NBR 872	49047240	○
88,01	4,00	72 NBR 872	49052169	○
88,01	4,00	88 NBR 156	49049045	○
88,01	5,95	88 NBR 156	49049046	○
88,03	3,00	72 NBR 872	49052170	○
88,03	3,00	88 NBR 156	49049047	○
88,09	5,33	70 EPDM 281	49053686	○
88,14	2,62	70 EPDM 281	448884	●
88,14	2,62	72 NBR 872	49052171	○
88,14	2,62	80 FKM 610	49050546	○
88,26	5,33	70 EPDM 281	445792	●
88,26	5,33	72 NBR 872	49047592	○
88,27	5,33	70 EPDM 281	49053687	○
88,27	5,33	72 NBR 872	14452109	●
88,27	5,33	80 FKM 610	49050547	○
88,27	5,33	88 NBR 156	49049048	○
88,31	3,53	70 EPDM 281	49053688	○
88,48	3,53	88 NBR 156	49049049	○
88,49	3,53	70 EPDM 281	49053689	○
88,49	3,53	72 NBR 872	49047872	○
88,49	3,53	80 FKM 610	49050548	○
88,50	3,53	72 NBR 872	49047885	○
88,50	5,00	80 FKM 610	49050549	○
88,57	2,62	70 EPDM 281	49047613	○
88,57	2,62	72 NBR 872	49052172	○

● Available from stock

○ On request: Tool is available, delivery at short notice



d ₁	d ₂	Material	Article No.	
88,57	2,62	80 FKM 610	49050550	○
88,58	2,62	72 NBR 872	407754	●
88,58	2,62	80 FKM 610	49047803	○
88,62	1,78	70 EPDM 281	49053690	○
88,62	1,78	72 NBR 872	49052173	○
88,62	1,78	80 FKM 610	49050551	○
88,77	1,20	70 EPDM 281	49053691	○
88,77	1,78	70 EPDM 281	49053692	○
88,85	2,00	70 EPDM 281	49053693	○
88,95	1,78	72 NBR 872	49052174	○
88,95	1,78	88 NBR 156	49049050	○
89,00	1,78	70 EPDM 281	49053694	○
89,00	1,78	72 NBR 872	49052175	○
89,00	1,78	80 FKM 610	49050552	○
89,00	4,50	72 NBR 872	448545	●
89,00	4,50	80 FKM 610	49050553	○
89,10	5,70	80 FKM 610	49050554	○
89,14	1,78	70 EPDM 281	49053695	○
89,14	1,78	72 NBR 872	49052176	○
89,19	3,07	70 EPDM 281	49053696	○
89,20	5,70	72 NBR 872	446711	●
89,20	5,70	80 FKM 610	449594	●
89,20	5,70	88 NBR 156	49046333	●
89,28	5,65	88 NBR 156	49049051	○
89,30	5,70	80 FKM 610	49050555	○
89,33	2,49	70 EPDM 281	49053697	○
89,37	3,07	72 NBR 872	49052177	○
89,50	2,50	72 NBR 872	4169	●
89,50	2,50	80 FKM 610	49050556	○
89,50	2,50	88 NBR 156	49049052	○
89,50	3,00	72 NBR 872	447930	●
89,50	3,00	80 FKM 610	49047639	○
89,50	3,00	88 NBR 156	60263	●
89,51	3,47	88 NBR 156	49049053	○
89,69	5,33	70 EPDM 281	447640	●
89,69	5,33	72 NBR 872	49052178	○
89,69	5,33	80 FKM 610	49050557	○
89,79	4,00	70 EPDM 281	49053698	○
89,81	3,00	70 EPDM 281	49053699	○
89,82	2,00	70 EPDM 281	49053700	○
89,83	2,99	70 EPDM 281	49053701	○
89,83	2,99	72 NBR 872	49052179	○
89,84	1,50	70 EPDM 281	49053702	○
89,84	5,50	70 EPDM 281	49053703	○
89,86	4,99	70 EPDM 281	49053704	○
89,91	5,02	70 EPDM 281	49053705	○
89,96	4,00	72 NBR 872	49052180	○
89,98	3,00	72 NBR 872	49052181	○
89,98	7,00	72 NBR 872	49052182	○
90,00	1,50	80 FKM 610	49050558	○
90,00	2,00	70 EPDM 281	49047702	○

d ₁	d ₂	Material	Article No.	
90,00	2,00	72 NBR 872	49012082	●
90,00	2,00	80 FKM 610	49050559	○
90,00	2,50	72 NBR 872	49047814	○
90,00	2,50	80 FKM 610	49050560	○
90,00	3,00	70 EPDM 281	447223	●
90,00	3,00	72 NBR 872	444498	●
90,00	3,00	80 FKM 610	449596	●
90,00	4,00	70 EPDM 281	49047384	○
90,00	4,00	72 NBR 872	445503	●
90,00	4,00	80 FKM 610	49050561	○
90,00	5,00	70 EPDM 281	448031	●
90,00	5,00	72 NBR 872	445526	●
90,00	5,00	80 FKM 610	449597	●
90,00	5,50	72 NBR 872	445871	●
90,00	5,50	80 FKM 610	49050562	○
90,00	6,01	72 NBR 872	49052183	○
90,00	7,00	70 EPDM 281	49053706	○
90,00	7,00	72 NBR 872	447346	●
90,00	7,00	80 FKM 610	49050563	○
90,00	8,00	72 NBR 872	49047636	○
90,00	10,00	72 NBR 872	49052184	○
90,01	2,50	80 FKM 610	49050564	○
90,01	5,28	88 NBR 156	49049054	○
90,02	1,50	72 NBR 872	49052185	○
90,02	5,50	72 NBR 872	49052186	○
90,09	4,00	72 NBR 872	49052187	○
90,09	5,02	72 NBR 872	49052188	○
90,21	3,00	72 NBR 872	49052189	○
90,22	4,00	88 NBR 156	49049055	○
90,24	3,00	88 NBR 156	49049056	○
90,24	7,00	88 NBR 156	49049057	○
90,26	2,01	88 NBR 156	49049058	○
90,28	1,50	88 NBR 156	49049059	○
90,28	5,50	88 NBR 156	49049060	○
90,30	4,99	88 NBR 156	49049061	○
90,35	5,02	88 NBR 156	49049062	○
90,64	4,31	72 NBR 872	49052190	○
90,78	3,00	70 EPDM 281	49053707	○
90,80	1,25	72 NBR 872	49047483	○
90,82	1,50	70 EPDM 281	49053708	○
90,86	4,00	70 EPDM 281	49053709	○
90,87	1,50	70 EPDM 281	49053710	○
90,88	4,08	70 EPDM 281	49053711	○
90,96	3,00	72 NBR 872	49052191	○
90,99	1,50	72 NBR 872	49052192	○
91,03	4,00	72 NBR 872	49052193	○
91,05	4,08	72 NBR 872	49052194	○
91,18	3,00	70 EPDM 281	49053712	○
91,22	3,00	88 NBR 156	49049063	○

● Available from stock

○ On request: Tool is available, delivery at short notice



d ₁	d ₂	Material	Article No.	
91,26	1,50	88 NBR 156	49049064	○
91,28	5,33	70 EPDM 281	49053713	○
91,30	4,00	88 NBR 156	49049065	○
91,32	4,08	88 NBR 156	49049066	○
91,35	3,00	72 NBR 872	49052195	○
91,44	5,33	70 EPDM 281	447642	●
91,44	5,33	72 NBR 872	14452110	●
91,44	5,33	80 FKM 610	49050565	○
91,46	5,33	72 NBR 872	49052196	○
91,50	1,25	80 FKM 610	49050566	○
91,62	3,00	88 NBR 156	49049067	○
91,67	2,01	72 NBR 872	49052197	○
91,67	3,53	70 EPDM 281	49047659	○
91,67	3,53	72 NBR 872	445560	●
91,67	3,53	80 FKM 610	49050567	○
91,73	5,33	88 NBR 156	49049068	○
91,81	4,99	70 EPDM 281	49053714	○
91,82	6,00	70 EPDM 281	49053715	○
91,92	5,33	70 EPDM 281	49053716	○
91,92	5,33	72 NBR 872	49052198	○
91,92	5,33	80 FKM 610	49050568	○
91,96	6,20	70 EPDM 281	49053717	○
91,98	3,51	88 NBR 156	49049069	○
91,99	5,00	72 NBR 872	49052199	○
92,00	1,50	80 FKM 610	49050569	○
92,00	2,00	72 NBR 872	14452111	●
92,00	2,00	80 FKM 610	49050570	○
92,00	3,00	72 NBR 872	444781	●
92,00	3,00	80 FKM 610	449598	●
92,00	3,51	72 NBR 872	49052200	○
92,00	4,00	72 NBR 872	445829	●
92,00	4,00	80 FKM 610	449599	●
92,00	5,50	72 NBR 872	445836	●
92,00	5,50	80 FKM 610	49050571	○
92,00	6,00	72 NBR 872	49052201	○
92,08	1,78	88 NBR 156	49049070	○
92,08	5,33	70 EPDM 281	446800	●
92,08	5,33	72 NBR 872	49052202	○
92,08	5,33	80 FKM 610	49050572	○
92,10	1,00	80 FKM 610	49050573	○
92,14	6,21	72 NBR 872	49052203	○
92,20	5,70	72 NBR 872	4237	●
92,20	5,70	88 NBR 156	49047341	○
92,26	4,99	88 NBR 156	49049071	○
92,27	3,51	88 NBR 156	49049072	○
92,27	6,00	88 NBR 156	49049073	○
92,28	5,46	88 NBR 156	49049074	○
92,41	6,21	88 NBR 156	49049075	○
92,47	5,65	88 NBR 156	49049076	○
92,60	2,00	80 FKM 610	49050574	○
92,63	3,01	88 NBR 156	49049077	○

d ₁	d ₂	Material	Article No.	
92,84	2,79	70 EPDM 281	49053718	○
92,86	5,98	70 EPDM 281	49053719	○
92,96	5,01	70 EPDM 281	49053720	○
92,98	3,51	72 NBR 872	49052204	○
93,00	1,78	70 EPDM 281	49053721	○
93,00	1,78	72 NBR 872	49052205	○
93,00	1,78	80 FKM 610	49050575	○
93,00	2,00	72 NBR 872	366659	●
93,00	2,20	80 FKM 610	49050576	○
93,00	2,50	80 FKM 610	49050577	○
93,00	2,80	72 NBR 872	49047723	○
93,00	3,00	70 EPDM 281	49047675	○
93,00	3,50	72 NBR 872	14452254	●
93,00	3,50	80 FKM 610	49050578	○
93,00	4,00	72 NBR 872	446165	●
93,00	4,00	80 FKM 610	49050579	○
93,00	6,00	70 EPDM 281	327378	●
93,00	6,00	72 NBR 872	49047241	○
93,02	2,79	72 NBR 872	49052206	○
93,04	5,98	72 NBR 872	49052207	○
93,09	5,02	70 EPDM 281	49053722	○
93,14	5,00	72 NBR 872	49052208	○
93,16	2,62	88 NBR 156	49049078	○
93,26	1,52	72 NBR 872	49052209	○
93,26	3,51	88 NBR 156	49049079	○
93,27	5,02	72 NBR 872	49052210	○
93,29	2,79	88 NBR 156	49049080	○
93,29	3,96	88 NBR 156	49049081	○
93,31	5,98	88 NBR 156	49049082	○
93,33	2,49	70 EPDM 281	49053723	○
93,35	1,78	88 NBR 156	49049083	○
93,41	5,01	88 NBR 156	49049084	○
93,50	2,49	70 EPDM 281	49053724	○
93,50	2,49	72 NBR 872	49052211	○
93,50	4,50	72 NBR 872	445830	●
93,50	4,50	80 FKM 610	49050580	○
93,53	1,52	88 NBR 156	49049085	○
93,55	2,21	72 NBR 872	49052212	○
93,55	5,02	88 NBR 156	49049086	○
93,59	2,01	88 NBR 156	49049087	○
93,59	4,95	72 NBR 872	49052213	○
93,78	2,50	88 NBR 156	49049088	○
93,79	3,00	70 EPDM 281	49053725	○
93,81	2,00	70 EPDM 281	49053726	○
93,81	2,49	70 EPDM 281	49053727	○
93,82	2,21	88 NBR 156	49049089	○
93,87	9,49	70 EPDM 281	49053728	○
93,94	5,65	88 NBR 156	49049090	○
93,98	3,00	72 NBR 872	49052214	○

● Available from stock

○ On request: Tool is available, delivery at short notice



d ₁	d ₂	Material	Article No.	
94,00	1,00	80 FKM 610	49050581	○
94,00	2,40	72 NBR 872	49052215	○
94,00	2,50	72 NBR 872	49047242	○
94,00	2,50	80 FKM 610	449600	●
94,00	3,00	72 NBR 872	445641	●
94,00	3,00	80 FKM 610	49050582	○
94,00	3,00	88 NBR 156	49047308	○
94,00	7,00	70 EPDM 281	49053729	○
94,00	7,00	72 NBR 872	49052216	○
94,00	7,00	80 FKM 610	49050583	○
94,10	5,70	80 FKM 610	49050584	○
94,20	5,70	70 EPDM 281	49047487	○
94,20	5,70	72 NBR 872	446450	●
94,20	5,70	80 FKM 610	449601	●
94,20	5,70	88 NBR 156	49047309	○
94,25	3,00	88 NBR 156	49049091	○
94,27	2,01	88 NBR 156	49049092	○
94,27	2,40	88 NBR 156	49049093	○
94,27	2,50	88 NBR 156	49049094	○
94,30	5,70	80 FKM 610	49050585	○
94,40	5,33	70 EPDM 281	49053730	○
94,50	3,00	72 NBR 872	445912	●
94,50	3,00	80 FKM 610	449602	●
94,50	3,00	88 NBR 156	60266	●
94,58	5,33	72 NBR 872	49052217	○
94,61	5,33	88 NBR 156	49047310	○
94,62	5,33	70 EPDM 281	49047663	○
94,62	5,33	72 NBR 872	14452112	●
94,62	5,33	80 FKM 610	49050586	○
94,77	3,00	70 EPDM 281	49053731	○
94,79	2,00	70 EPDM 281	49053732	○
94,79	2,49	70 EPDM 281	49053733	○
94,82	4,50	70 EPDM 281	49053734	○
94,82	4,99	70 EPDM 281	49053735	○
94,82	6,00	70 EPDM 281	49053736	○
94,84	3,53	70 EPDM 281	449022	●
94,84	3,53	72 NBR 872	49052218	○
94,84	3,53	80 FKM 610	49050587	○
94,86	5,33	88 NBR 156	49049095	○
94,90	1,78	70 EPDM 281	49053737	○
94,90	1,78	72 NBR 872	49052219	○
94,90	1,78	80 FKM 610	49050588	○
94,92	2,62	70 EPDM 281	327376	●
94,92	2,62	72 NBR 872	445607	●
94,92	2,62	80 FKM 610	49050589	○
94,95	3,00	72 NBR 872	49052220	○
94,95	7,00	72 NBR 872	49052221	○
94,97	1,78	70 EPDM 281	49053738	○
94,97	1,78	72 NBR 872	49052222	○
94,97	1,78	80 FKM 610	49050590	○
94,97	2,50	72 NBR 872	49052223	○

d ₁	d ₂	Material	Article No.	
95,00	2,00	70 EPDM 281	49047915	○
95,00	2,50	72 NBR 872	445552	●
95,00	2,50	80 FKM 610	49050591	○
95,00	3,50	80 FKM 610	449603	●
95,00	3,55	72 NBR 872	14453180	●
95,00	4,00	72 NBR 872	14452113	●
95,00	4,00	80 FKM 610	49050592	○
95,00	4,50	72 NBR 872	445913	●
95,00	4,50	80 FKM 610	49050593	○
95,00	5,00	70 EPDM 281	49047584	○
95,00	5,00	72 NBR 872	446166	●
95,00	5,00	80 FKM 610	49050594	○
95,00	5,00	88 NBR 156	49047311	○
95,00	6,00	72 NBR 872	14452114	●
95,00	6,00	80 FKM 610	49050595	○
95,00	7,00	70 EPDM 281	49047930	○
95,00	7,00	72 NBR 872	447260	●
95,00	7,00	80 FKM 610	49050596	○
95,00	7,50	72 NBR 872	49047517	○
95,01	4,50	72 NBR 872	49052224	○
95,01	5,00	72 NBR 872	49052225	○
95,18	6,00	70 EPDM 281	49053739	○
95,22	3,51	72 NBR 872	49052226	○
95,23	3,00	88 NBR 156	49049096	○
95,23	7,00	88 NBR 156	49049097	○
95,25	2,01	88 NBR 156	49049098	○
95,25	2,50	88 NBR 156	49049099	○
95,28	6,00	88 NBR 156	49049100	○
95,28	7,00	88 NBR 156	49049101	○
95,29	4,50	88 NBR 156	49049102	○
95,29	4,99	88 NBR 156	49049103	○
95,37	6,00	72 NBR 872	49052227	○
95,50	3,51	88 NBR 156	49049104	○
95,55	6,05	72 NBR 872	49052228	○
95,65	6,00	88 NBR 156	49049105	○
95,78	1,50	70 EPDM 281	49053740	○
95,82	4,00	70 EPDM 281	49053741	○
95,84	3,00	70 EPDM 281	49053742	○
95,86	2,49	70 EPDM 281	49053743	○
95,96	1,50	72 NBR 872	49052229	○
96,00	1,50	80 FKM 610	449604	●
96,00	2,00	80 FKM 610	49050597	○
96,00	2,50	72 NBR 872	49047423	○
96,00	3,00	72 NBR 872	445919	●
96,00	3,00	80 FKM 610	49050598	○
96,00	4,00	72 NBR 872	444520	●
96,00	4,00	80 FKM 610	49050599	○
96,00	4,00	88 NBR 156	49047678	○
96,02	3,00	72 NBR 872	49052230	○

● Available from stock

○ On request: Tool is available, delivery at short notice



d ₁	d ₂	Material	Article No.	
96,04	2,50	72 NBR 872	49052231	○
96,15	3,72	70 EPDM 281	49053744	○
96,25	1,50	88 NBR 156	49049106	○
96,29	4,00	88 NBR 156	49049107	○
96,30	3,00	88 NBR 156	49049108	○
96,32	2,50	88 NBR 156	49049109	○
96,32	3,00	70 EPDM 281	49053745	○
96,50	1,25	80 FKM 610	49050600	○
96,50	2,62	70 EPDM 281	49053746	○
96,50	2,62	72 NBR 872	49052232	○
96,50	2,62	80 FKM 610	49050601	○
96,51	3,00	72 NBR 872	49052233	○
96,60	3,53	70 EPDM 281	49053747	○
96,60	3,53	72 NBR 872	49052234	○
96,60	3,53	80 FKM 610	49050602	○
96,62	3,72	88 NBR 156	49049110	○
96,77	4,99	70 EPDM 281	49053748	○
96,79	3,00	88 NBR 156	49049111	○
96,96	5,00	72 NBR 872	49052235	○
97,00	5,00	72 NBR 872	445901	●
97,00	5,00	80 FKM 610	449605	●
97,04	5,69	70 EPDM 281	49053749	○
97,18	5,01	70 EPDM 281	49053750	○
97,20	5,70	72 NBR 872	448220	●
97,20	5,70	80 FKM 610	49050603	○
97,20	5,70	88 NBR 156	49047342	○
97,23	5,69	72 NBR 872	49052236	○
97,24	4,99	88 NBR 156	49049112	○
97,37	5,00	72 NBR 872	49052237	○
97,52	5,69	88 NBR 156	49049113	○
97,65	5,01	88 NBR 156	49049114	○
97,78	5,33	70 EPDM 281	49053751	○
97,78	5,33	72 NBR 872	49052238	○
97,79	5,33	70 EPDM 281	446693	●
97,79	5,33	80 FKM 610	49050604	○
97,95	4,00	70 EPDM 281	49053752	○
97,95	4,00	72 NBR 872	49052239	○
97,97	3,00	70 EPDM 281	49053753	○
97,97	3,00	72 NBR 872	49052240	○
98,00	2,00	72 NBR 872	449356	●
98,00	2,00	80 FKM 610	49050605	○
98,00	3,00	72 NBR 872	445753	●
98,00	3,00	80 FKM 610	449607	●
98,00	4,00	72 NBR 872	14452116	●
98,00	4,00	80 FKM 610	49050606	○
98,00	5,00	72 NBR 872	14452117	●
98,00	5,00	80 FKM 610	49050607	○
98,02	3,53	70 EPDM 281	447174	●
98,02	3,53	72 NBR 872	49052241	○
98,02	3,53	80 FKM 610	49050608	○
98,06	5,33	88 NBR 156	49049115	○

d ₁	d ₂	Material	Article No.	
98,13	3,06	72 NBR 872	49052242	○
98,24	4,00	88 NBR 156	49049116	○
98,26	3,00	88 NBR 156	49049117	○
98,40	3,53	88 NBR 156	49049118	○
98,42	3,06	88 NBR 156	49049119	○
98,48	2,49	70 EPDM 281	49053754	○
98,48	2,50	72 NBR 872	49052243	○
98,70	4,39	70 EPDM 281	49053755	○
98,70	4,39	72 NBR 872	49052244	○
98,77	2,50	88 NBR 156	49049120	○
98,95	3,00	70 EPDM 281	49053756	○
98,95	3,00	72 NBR 872	49052245	○
98,97	6,00	70 EPDM 281	49053757	○
98,97	6,00	72 NBR 872	49052246	○
99,00	3,00	72 NBR 872	445758	●
99,00	3,00	80 FKM 610	49050609	○
99,00	4,50	80 FKM 610	49050610	○
99,10	5,70	80 FKM 610	49050611	○
99,18	5,69	70 EPDM 281	49053758	○
99,18	5,69	72 NBR 872	49052247	○
99,20	4,98	70 EPDM 281	49053759	○
99,20	4,98	72 NBR 872	49052248	○
99,20	5,70	72 NBR 872	445679	●
99,20	5,70	80 FKM 610	449608	●
99,20	5,70	88 NBR 156	60286	●
99,24	3,00	88 NBR 156	49049121	○
99,26	6,00	88 NBR 156	49049122	○
99,30	5,70	80 FKM 610	49050612	○
99,47	5,69	88 NBR 156	49049123	○
99,49	4,98	88 NBR 156	49049124	○
99,50	3,00	70 EPDM 281	14450614	●
99,50	3,00	72 NBR 872	49047243	○
99,50	3,00	80 FKM 610	49050613	○
99,50	3,00	88 NBR 156	49047312	○
99,81	2,00	70 EPDM 281	49053760	○
99,94	2,00	70 EPDM 281	49053761	○
100,00	1,50	72 NBR 872	447826	●
100,00	1,50	80 FKM 610	49050614	○
100,00	1,78	70 EPDM 281	49053762	○
100,00	1,78	72 NBR 872	49052249	○
100,00	1,78	80 FKM 610	49050615	○
100,00	2,00	72 NBR 872	444494	●
100,00	2,00	80 FKM 610	449609	●
100,00	2,00	88 NBR 156	60288	●
100,00	2,50	70 EPDM 281	447643	●
100,00	2,50	72 NBR 872	49047505	○
100,00	2,50	80 FKM 610	49050616	○
100,00	3,00	72 NBR 872	444696	●
100,00	3,00	72 NBR 872	49012084	●

● Available from stock

○ On request: Tool is available, delivery at short notice



d ₁	d ₂	Material	Article No.	
100,00	3,00	80 FKM 610	449610	●
100,00	3,00	88 NBR 156	60289	●
100,00	3,53	72 NBR 872	49052250	○
100,00	4,00	72 NBR 872	444697	●
100,00	4,00	80 FKM 610	49050617	○
100,00	4,50	72 NBR 872	445608	●
100,00	4,50	80 FKM 610	49050618	○
100,00	5,00	70 EPDM 281	446694	●
100,00	5,00	72 NBR 872	444742	●
100,00	5,00	80 FKM 610	449611	●
100,00	5,33	70 EPDM 281	49053763	○
100,00	5,33	72 NBR 872	14452118	●
100,00	5,33	80 FKM 610	49050619	○
100,00	6,00	72 NBR 872	446048	●
100,00	6,00	80 FKM 610	49050620	○
100,00	8,00	72 NBR 872	446504	●
100,00	10,00	72 NBR 872	445835	●
100,00	11,94	72 NBR 872	49052251	○
100,10	7,60	88 NBR 156	49049125	○
100,19	3,53	70 EPDM 281	49053764	○
100,23	2,01	88 NBR 156	49049126	○
100,25	5,01	88 NBR 156	49049127	○
100,29	2,01	88 NBR 156	49049128	○
100,29	4,00	88 NBR 156	49049129	○
100,29	4,68	88 NBR 156	49049130	○
100,29	8,01	88 NBR 156	49049131	○
100,31	3,00	88 NBR 156	49049132	○
100,31	7,00	88 NBR 156	49049133	○
100,41	7,00	72 NBR 872	49052252	○
100,50	2,00	80 FKM 610	49050621	○
100,96	4,50	70 EPDM 281	49053765	○
100,97	5,33	70 EPDM 281	49053766	○
100,97	5,33	72 NBR 872	14452119	●
100,97	5,33	80 FKM 610	49050622	○
100,99	3,00	70 EPDM 281	49053767	○
101,00	3,00	70 EPDM 281	445793	●
101,00	3,00	72 NBR 872	445811	●
101,00	3,00	80 FKM 610	449612	●
101,00	4,30	80 FKM 610	49050623	○
101,00	4,50	72 NBR 872	445678	●
101,00	4,50	80 FKM 610	49050624	○
101,00	7,00	70 EPDM 281	49053768	○
101,00	7,00	72 NBR 872	49052253	○
101,00	7,00	80 FKM 610	49050625	○
101,01	5,33	70 EPDM 281	49053769	○
101,13	1,50	70 EPDM 281	49053770	○
101,14	5,33	70 EPDM 281	49053771	○
101,14	5,33	72 NBR 872	49052254	○
101,14	5,33	80 FKM 610	49050626	○
101,15	3,53	70 EPDM 281	49053772	○
101,19	3,53	70 EPDM 281	446442	●

d ₁	d ₂	Material	Article No.	
101,19	3,53	72 NBR 872	49052255	○
101,19	3,53	80 FKM 610	49050627	○
101,25	4,50	88 NBR 156	49049134	○
101,27	2,62	70 EPDM 281	49053773	○
101,27	2,62	72 NBR 872	14452120	●
101,27	2,62	80 FKM 610	49050628	○
101,29	3,00	88 NBR 156	49049135	○
101,31	5,33	88 NBR 156	49049136	○
101,32	1,78	70 EPDM 281	49053774	○
101,32	1,78	72 NBR 872	49052256	○
101,32	1,78	80 FKM 610	49050629	○
101,34	2,03	72 NBR 872	49052257	○
101,41	5,33	72 NBR 872	49052258	○
101,43	1,50	88 NBR 156	49049137	○
101,45	3,53	88 NBR 156	49049138	○
101,55	3,53	72 NBR 872	49052259	○
101,56	2,62	88 NBR 156	49049139	○
101,60	1,78	70 EPDM 281	49053775	○
101,60	1,78	72 NBR 872	49052260	○
101,60	1,78	80 FKM 610	449613	●
101,66	2,62	72 NBR 872	49052261	○
101,95	3,00	70 EPDM 281	49053776	○
102,00	3,00	70 EPDM 281	49047607	○
102,00	3,00	72 NBR 872	445938	●
102,00	3,00	80 FKM 610	49047822	○
102,00	3,00	88 NBR 156	60290	●
102,00	4,00	70 EPDM 281	448661	●
102,00	4,00	72 NBR 872	445873	●
102,00	4,00	80 FKM 610	49050630	○
102,00	5,00	80 FKM 610	49050631	○
102,00	6,00	80 FKM 610	49050632	○
102,25	3,00	88 NBR 156	49049140	○
102,30	4,00	88 NBR 156	49049141	○
102,30	4,99	88 NBR 156	49049142	○
102,80	5,79	88 NBR 156	49049143	○
103,00	6,00	70 EPDM 281	49047697	○
103,00	6,00	72 NBR 872	446451	●
103,00	6,00	80 FKM 610	49050633	○
103,28	5,98	88 NBR 156	49049144	○
103,45	2,49	70 EPDM 281	49053777	○
103,75	2,50	88 NBR 156	49049145	○
103,85	2,50	88 NBR 156	49049146	○
103,91	5,65	88 NBR 156	49049147	○
103,96	1,50	70 EPDM 281	49053778	○
104,00	1,50	72 NBR 872	49047516	○
104,00	1,50	80 FKM 610	49050634	○
104,00	1,78	70 EPDM 281	49053779	○
104,00	1,78	72 NBR 872	49052262	○
104,00	1,78	80 FKM 610	49050635	○

● Available from stock

○ On request: Tool is available, delivery at short notice



d ₁	d ₂	Material	Article No.	
104,00	4,00	72 NBR 872	448158	●
104,00	4,00	80 FKM 610	49050636	○
104,10	5,70	80 FKM 610	49050637	○
104,13	5,33	70 EPDM 281	49053780	○
104,14	5,33	70 EPDM 281	448089	●
104,14	5,33	72 NBR 872	49047558	○
104,14	5,33	80 FKM 610	49050638	○
104,14	5,33	88 NBR 156	60291	●
104,20	5,70	72 NBR 872	445920	●
104,20	5,70	80 FKM 610	49050639	○
104,20	5,70	88 NBR 156	60297	●
104,26	1,50	88 NBR 156	49049148	○
104,30	5,70	80 FKM 610	49050640	○
104,37	3,53	70 EPDM 281	49047682	○
104,37	3,53	72 NBR 872	14452121	●
104,37	3,53	80 FKM 610	49050641	○
104,42	5,33	88 NBR 156	49049149	○
104,50	2,00	70 EPDM 281	49047752	○
104,50	2,00	80 FKM 610	49050642	○
104,50	2,01	72 NBR 872	49052263	○
104,50	3,00	72 NBR 872	49047283	○
104,50	3,00	80 FKM 610	49050643	○
104,50	3,00	88 NBR 156	60298	●
104,54	5,33	72 NBR 872	49052264	○
104,57	3,53	70 EPDM 281	49053781	○
104,70	2,01	72 NBR 872	49052265	○
104,81	3,00	88 NBR 156	49049150	○
104,87	5,38	88 NBR 156	49049151	○
104,97	4,00	70 EPDM 281	49053782	○
104,99	3,00	70 EPDM 281	49053783	○
105,00	1,78	70 EPDM 281	49053784	○
105,00	1,78	72 NBR 872	49052266	○
105,00	1,78	80 FKM 610	49050644	○
105,00	2,00	72 NBR 872	445788	●
105,00	3,00	70 EPDM 281	446154	●
105,00	3,00	72 NBR 872	444708	●
105,00	3,00	80 FKM 610	449615	●
105,00	3,00	88 NBR 156	49047427	○
105,00	3,50	70 EPDM 281	447645	●
105,00	3,50	72 NBR 872	445513	●
105,00	3,50	80 FKM 610	49050645	○
105,00	4,00	70 EPDM 281	49047489	○
105,00	4,00	72 NBR 872	445465	●
105,00	4,00	80 FKM 610	449616	●
105,00	5,00	72 NBR 872	445760	●
105,00	5,00	80 FKM 610	49050646	○
105,00	9,50	72 NBR 872	4498	●
105,28	3,51	88 NBR 156	49049152	○
105,28	4,00	88 NBR 156	49049153	○
105,30	3,00	88 NBR 156	49049154	○
105,32	2,50	88 NBR 156	49049155	○

d ₁	d ₂	Material	Article No.	
105,38	4,97	88 NBR 156	49049156	○
105,50	1,90	80 FKM 610	49050647	○
105,51	1,90	80 FKM 610	49050648	○
105,60	1,90	80 FKM 610	49050649	○
105,96	3,00	70 EPDM 281	49053785	○
105,98	2,00	70 EPDM 281	49053786	○
105,98	6,00	70 EPDM 281	49053787	○
106,00	1,50	80 FKM 610	49050650	○
106,00	2,00	70 EPDM 281	447646	●
106,00	2,00	72 NBR 872	445813	●
106,00	2,00	80 FKM 610	49050651	○
106,00	3,00	72 NBR 872	444769	●
106,00	3,00	80 FKM 610	49050652	○
106,00	4,00	72 NBR 872	14452122	●
106,00	4,00	80 FKM 610	49050653	○
106,00	4,50	72 NBR 872	4518	●
106,00	5,00	80 FKM 610	49050654	○
106,00	6,00	72 NBR 872	447411	●
106,00	6,00	80 FKM 610	49050655	○
106,28	3,00	88 NBR 156	49049157	○
106,30	2,01	88 NBR 156	49049158	○
106,30	6,00	88 NBR 156	49049159	○
106,31	1,50	88 NBR 156	49049160	○
106,31	5,00	88 NBR 156	49049161	○
106,33	4,50	88 NBR 156	49049162	○
107,00	2,00	80 FKM 610	49050656	○
107,00	2,50	72 NBR 872	49047244	○
107,00	4,00	72 NBR 872	49047473	○
107,00	5,00	72 NBR 872	446712	●
107,00	5,00	80 FKM 610	49050657	○
107,30	7,00	70 EPDM 281	49053788	○
107,30	7,00	72 NBR 872	49052267	○
107,30	7,00	80 FKM 610	49050658	○
107,31	5,33	70 EPDM 281	447647	●
107,32	5,33	70 EPDM 281	49053789	○
107,32	5,33	72 NBR 872	14452123	●
107,32	5,33	80 FKM 610	49050659	○
107,33	4,00	88 NBR 156	49049163	○
107,54	3,53	70 EPDM 281	447648	●
107,54	3,53	72 NBR 872	49052268	○
107,54	3,53	80 FKM 610	49050660	○
107,62	2,62	70 EPDM 281	447649	●
107,62	2,62	72 NBR 872	49052269	○
107,62	2,62	80 FKM 610	49050661	○
107,67	1,78	72 NBR 872	49052270	○
107,67	1,78	80 FKM 610	49050662	○
107,68	1,78	70 EPDM 281	49053790	○
107,82	3,53	88 NBR 156	49049164	○
107,86	3,55	88 NBR 156	49049165	○

● Available from stock

○ On request: Tool is available, delivery at short notice



d ₁	d ₂	Material	Article No.	
107,94	2,62	88 NBR 156	49049166	○
107,99	4,00	70 EPDM 281	49053791	○
108,00	1,78	88 NBR 156	49049167	○
108,00	3,00	70 EPDM 281	49047405	○
108,00	3,00	72 NBR 872	446830	●
108,00	3,00	80 FKM 610	49050663	○
108,00	4,00	72 NBR 872	445814	●
108,00	4,00	80 FKM 610	49050664	○
108,00	5,30	72 NBR 872	4558	●
108,00	8,00	72 NBR 872	448204	●
108,00	10,00	72 NBR 872	448873	●
108,04	2,62	72 NBR 872	49052271	○
108,10	1,78	72 NBR 872	49052272	○
108,19	3,56	72 NBR 872	49052273	○
108,31	4,00	88 NBR 156	49049168	○
108,31	8,01	88 NBR 156	49049169	○
108,32	5,30	88 NBR 156	49049170	○
108,32	7,00	88 NBR 156	49049171	○
108,33	3,00	88 NBR 156	49049172	○
108,42	7,00	72 NBR 872	49052274	○
108,74	5,07	88 NBR 156	49049173	○
109,00	4,00	72 NBR 872	14452124	●
109,00	4,00	80 FKM 610	49050665	○
109,00	5,00	80 FKM 610	49047863	○
109,10	5,70	80 FKM 610	49050666	○
109,20	5,70	70 EPDM 281	447412	●
109,20	5,70	72 NBR 872	445686	●
109,20	5,70	80 FKM 610	449618	●
109,20	5,70	88 NBR 156	49047313	○
109,30	5,70	80 FKM 610	49050667	○
109,47	3,00	70 EPDM 281	49053792	○
109,47	5,33	70 EPDM 281	49053793	○
109,50	3,00	80 FKM 610	449619	●
109,50	3,00	88 NBR 156	60309	●
109,50	5,33	70 EPDM 281	49053794	○
109,50	5,33	72 NBR 872	49052275	○
109,50	5,33	80 FKM 610	49050668	○
109,54	5,33	70 EPDM 281	448376	●
109,75	5,03	88 NBR 156	49049174	○
109,79	3,00	88 NBR 156	49049175	○
109,79	5,33	88 NBR 156	49049176	○
109,90	5,33	72 NBR 872	49052276	○
109,96	3,00	70 EPDM 281	49053795	○
109,98	2,00	70 EPDM 281	49053796	○
109,98	2,49	70 EPDM 281	49053797	○
109,98	6,00	70 EPDM 281	49053798	○
110,00	0,50	72 NBR 872	49047692	○
110,00	2,00	72 NBR 872	445506	●
110,00	2,00	80 FKM 610	49050669	○
110,00	3,00	72 NBR 872	445649	●
110,00	3,00	80 FKM 610	449620	●

d ₁	d ₂	Material	Article No.	
110,00	3,50	72 NBR 872	445798	●
110,00	3,50	80 FKM 610	49050670	○
110,00	4,00	72 NBR 872	445902	●
110,00	4,00	80 FKM 610	49050671	○
110,00	4,50	70 EPDM 281	448371	●
110,00	4,50	72 NBR 872	4611	●
110,00	4,50	80 FKM 610	49050672	○
110,00	5,00	70 EPDM 281	447413	●
110,00	5,00	72 NBR 872	445510	●
110,00	5,00	80 FKM 610	49050673	○
110,00	5,33	70 EPDM 281	49053799	○
110,00	5,33	72 NBR 872	49052277	○
110,00	5,33	80 FKM 610	49050674	○
110,00	6,00	70 EPDM 281	49047574	○
110,00	6,00	72 NBR 872	445859	●
110,00	6,00	80 FKM 610	49050675	○
110,00	8,00	72 NBR 872	4633	●
110,28	3,00	88 NBR 156	49049177	○
110,30	2,01	88 NBR 156	49049178	○
110,30	2,40	88 NBR 156	49049179	○
110,30	2,50	88 NBR 156	49049180	○
110,30	6,00	88 NBR 156	49049181	○
110,32	7,52	88 NBR 156	49049182	○
110,32	8,01	88 NBR 156	49049183	○
110,34	4,50	88 NBR 156	49049184	○
110,35	5,02	88 NBR 156	49049185	○
110,36	3,51	88 NBR 156	49049186	○
110,36	4,00	88 NBR 156	49049187	○
110,49	5,33	70 EPDM 281	447885	●
110,49	5,33	72 NBR 872	447884	●
110,50	5,33	70 EPDM 281	49053800	○
110,50	5,33	72 NBR 872	49052278	○
110,50	5,33	80 FKM 610	49050676	○
110,70	3,53	70 EPDM 281	49053801	○
110,72	3,53	70 EPDM 281	327348	●
110,72	3,53	72 NBR 872	49052279	○
110,72	3,53	80 FKM 610	49050677	○
110,72	3,53	88 NBR 156	49047314	○
110,75	3,00	72 NBR 872	49052280	○
110,99	2,49	70 EPDM 281	49053802	○
111,00	5,00	80 FKM 610	49050678	○
111,03	3,53	88 NBR 156	49049188	○
111,14	3,53	72 NBR 872	49052281	○
111,29	3,53	70 EPDM 281	49053803	○
111,32	2,50	88 NBR 156	49049189	○
111,32	5,01	88 NBR 156	49049190	○
111,34	4,19	88 NBR 156	49049191	○
111,61	3,53	88 NBR 156	49049192	○
111,72	3,53	72 NBR 872	49052282	○

● Available from stock

○ On request: Tool is available, delivery at short notice



d ₁	d ₂	Material	Article No.	
111,95	1,50	70 EPDM 281	49053804	○
111,99	4,00	70 EPDM 281	49053805	○
112,00	3,00	72 NBR 872	49047461	○
112,00	3,00	80 FKM 610	49050679	○
112,00	3,00	88 NBR 156	60310	●
112,00	3,50	72 NBR 872	14452125	●
112,00	3,50	80 FKM 610	49050680	○
112,00	4,00	72 NBR 872	445662	●
112,00	4,00	80 FKM 610	49050681	○
112,00	5,00	80 FKM 610	49050682	○
112,00	8,00	72 NBR 872	49047245	○
112,28	1,50	88 NBR 156	49049193	○
112,32	4,00	88 NBR 156	49049194	○
112,32	8,01	88 NBR 156	49049195	○
112,36	6,31	88 NBR 156	49049196	○
112,66	2,01	88 NBR 156	49049197	○
112,96	4,00	70 EPDM 281	49053806	○
113,00	3,00	72 NBR 872	14452126	●
113,00	3,00	80 FKM 610	49050683	○
113,00	5,30	72 NBR 872	447833	●
113,00	5,30	80 FKM 610	49050684	○
113,19	6,99	80 FKM 610	49050685	○
113,29	3,51	88 NBR 156	49049198	○
113,29	4,00	88 NBR 156	49049199	○
113,35	5,30	88 NBR 156	49049200	○
113,47	2,62	70 EPDM 281	49053807	○
113,50	2,50	80 FKM 610	49050686	○
113,67	5,33	70 EPDM 281	49053808	○
113,67	5,33	72 NBR 872	49052283	○
113,67	5,33	80 FKM 610	49050687	○
113,67	6,99	80 FKM 610	49050688	○
113,80	2,62	88 NBR 156	49049201	○
113,88	5,33	70 EPDM 281	49053809	○
113,89	3,53	70 EPDM 281	446695	●
113,89	3,53	72 NBR 872	49047246	○
113,89	3,53	80 FKM 610	49050689	○
113,91	2,62	72 NBR 872	49052284	○
113,94	4,00	70 EPDM 281	49053810	○
113,97	2,62	70 EPDM 281	49053811	○
113,97	2,62	72 NBR 872	49052285	○
113,97	2,62	80 FKM 610	49050690	○
113,97	3,53	70 EPDM 281	49053812	○
113,97	3,53	72 NBR 872	49052286	○
113,97	3,53	80 FKM 610	49050691	○
114,00	1,62	88 NBR 156	49049202	○
114,00	1,78	70 EPDM 281	49053813	○
114,00	1,78	72 NBR 872	14452127	●
114,00	1,78	80 FKM 610	49050692	○
114,00	3,00	72 NBR 872	14452128	●
114,00	3,00	80 FKM 610	49050693	○
114,00	4,00	72 NBR 872	445874	●

d ₁	d ₂	Material	Article No.	
114,00	4,00	80 FKM 610	49050694	○
114,00	6,00	72 NBR 872	447886	●
114,00	6,00	80 FKM 610	49050695	○
114,00	7,00	88 NBR 156	49049203	○
114,01	5,28	88 NBR 156	49049204	○
114,02	5,33	88 NBR 156	49049205	○
114,11	7,00	72 NBR 872	49052287	○
114,13	5,33	72 NBR 872	49052288	○
114,16	2,98	88 NBR 156	49049206	○
114,19	5,69	70 EPDM 281	49053814	○
114,20	5,70	72 NBR 872	444779	●
114,20	5,70	80 FKM 610	449621	●
114,20	5,70	88 NBR 156	49047315	○
114,22	3,53	88 NBR 156	49049207	○
114,27	4,00	88 NBR 156	49049208	○
114,30	2,62	88 NBR 156	49049209	○
114,30	5,70	80 FKM 610	49050696	○
114,33	3,53	72 NBR 872	49052289	○
114,33	6,00	88 NBR 156	49049210	○
114,41	2,62	72 NBR 872	49052290	○
114,46	1,60	88 NBR 156	49049211	○
114,50	3,00	72 NBR 872	49047282	○
114,50	3,00	80 FKM 610	449622	●
114,50	3,00	88 NBR 156	60313	●
114,53	5,69	88 NBR 156	49049212	○
114,70	6,99	72 NBR 872	14452129	●
114,70	6,99	80 FKM 610	49050697	○
114,97	1,50	70 EPDM 281	49053815	○
114,99	4,99	70 EPDM 281	49053816	○
115,00	1,78	70 EPDM 281	49053817	○
115,00	1,78	72 NBR 872	49052291	○
115,00	1,78	80 FKM 610	49050698	○
115,00	2,50	70 EPDM 281	327345	●
115,00	2,50	72 NBR 872	446713	●
115,00	2,50	80 FKM 610	49050699	○
115,00	3,00	72 NBR 872	444777	●
115,00	3,00	80 FKM 610	49050700	○
115,00	4,00	72 NBR 872	445556	●
115,00	4,00	80 FKM 610	49050701	○
115,00	4,50	72 NBR 872	447834	●
115,00	4,50	80 FKM 610	49050702	○
115,00	5,00	72 NBR 872	446186	●
115,00	5,00	80 FKM 610	49050703	○
115,00	7,00	70 EPDM 281	49053818	○
115,00	7,00	72 NBR 872	446187	●
115,00	7,00	80 FKM 610	49050704	○
115,29	3,96	88 NBR 156	49049213	○
115,31	1,50	88 NBR 156	49049214	○
115,33	4,99	88 NBR 156	49049215	○

● Available from stock

○ On request: Tool is available, delivery at short notice



d ₁	d ₂	Material	Article No.	
115,35	8,01	88 NBR 156	49049216	○
115,39	2,50	88 NBR 156	49049217	○
116,00	1,50	80 FKM 610	49047655	○
116,00	3,00	80 FKM 610	49050705	○
116,00	4,00	72 NBR 872	14452130	●
116,00	4,00	80 FKM 610	49050706	○
116,00	5,00	80 FKM 610	49050707	○
116,34	3,00	88 NBR 156	49049218	○
116,34	7,52	88 NBR 156	49049219	○
116,43	1,78	70 EPDM 281	49053819	○
116,50	1,78	72 NBR 872	49047582	○
116,77	1,78	88 NBR 156	49049220	○
116,80	5,33	70 EPDM 281	49053820	○
116,84	5,33	70 EPDM 281	49053821	○
116,84	5,33	72 NBR 872	49052292	○
116,84	5,33	80 FKM 610	49050708	○
116,84	6,99	80 FKM 610	49050709	○
116,89	1,78	72 NBR 872	49052293	○
116,96	4,00	70 EPDM 281	49053822	○
117,00	4,00	72 NBR 872	445921	●
117,00	4,00	80 FKM 610	49050710	○
117,07	3,53	70 EPDM 281	447650	●
117,07	3,53	72 NBR 872	49052294	○
117,07	3,53	80 FKM 610	14450856	●
117,15	5,33	88 NBR 156	49049221	○
117,26	5,33	72 NBR 872	49052295	○
117,30	4,00	88 NBR 156	49049222	○
117,38	4,99	88 NBR 156	49049223	○
117,41	3,53	88 NBR 156	49049224	○
117,50	5,33	70 EPDM 281	49053823	○
117,50	5,33	72 NBR 872	49052296	○
117,50	5,33	80 FKM 610	49050711	○
117,52	3,53	72 NBR 872	49052297	○
117,63	3,96	88 NBR 156	49049225	○
118,00	4,00	72 NBR 872	446491	●
118,00	4,00	80 FKM 610	49050712	○
118,00	4,50	72 NBR 872	447835	●
118,00	4,50	80 FKM 610	49050713	○
118,00	5,00	72 NBR 872	14452131	●
118,00	5,00	80 FKM 610	49050714	○
118,20	2,00	80 FKM 610	49050715	○
118,34	5,01	88 NBR 156	49049226	○
118,36	4,50	88 NBR 156	49049227	○
119,00	3,00	80 FKM 610	49050716	○
119,00	4,00	80 FKM 610	49050717	○
119,15	5,69	70 EPDM 281	49053824	○
119,20	5,70	72 NBR 872	446552	●
119,20	5,70	80 FKM 610	449623	●
119,20	5,70	88 NBR 156	60314	●
119,30	5,70	80 FKM 610	49050718	○
119,50	3,00	80 FKM 610	449624	●

d ₁	d ₂	Material	Article No.	
119,50	3,00	88 NBR 156	60315	●
119,50	5,69	88 NBR 156	49049228	○
119,63	6,95	88 NBR 156	49049229	○
119,79	5,33	72 NBR 872	49052298	○
119,96	4,50	70 EPDM 281	49053825	○
119,96	4,99	70 EPDM 281	49053826	○
120,00	2,50	72 NBR 872	14452132	●
120,00	2,50	80 FKM 610	49050719	○
120,00	3,00	72 NBR 872	445562	●
120,00	3,00	80 FKM 610	49050720	○
120,00	3,00	88 NBR 156	49047316	○
120,00	3,50	70 EPDM 281	327343	●
120,00	4,00	72 NBR 872	444694	●
120,00	4,00	80 FKM 610	49050721	○
120,00	4,50	72 NBR 872	49052299	○
120,00	5,00	70 EPDM 281	448396	●
120,00	5,00	72 NBR 872	446578	●
120,00	5,00	80 FKM 610	449625	●
120,00	5,33	70 EPDM 281	49053827	○
120,00	6,00	72 NBR 872	445643	●
120,00	6,00	80 FKM 610	49050722	○
120,00	6,00	88 NBR 156	49047691	○
120,00	10,00	72 NBR 872	444776	●
120,01	6,99	70 EPDM 281	327341	●
120,02	5,33	72 NBR 872	14452133	●
120,02	5,33	80 FKM 610	49050723	○
120,02	6,99	80 FKM 610	49050724	○
120,24	3,53	70 EPDM 281	447887	●
120,24	3,53	72 NBR 872	445558	●
120,24	3,53	80 FKM 610	49050725	○
120,25	3,53	70 EPDM 281	49053828	○
120,31	4,50	88 NBR 156	49049230	○
120,31	4,99	88 NBR 156	49049231	○
120,32	2,62	70 EPDM 281	49053829	○
120,32	2,62	72 NBR 872	49052300	○
120,32	2,62	80 FKM 610	49050726	○
120,33	3,51	88 NBR 156	49049232	○
120,35	3,00	88 NBR 156	49049233	○
120,35	5,33	88 NBR 156	49049234	○
120,37	1,78	70 EPDM 281	49053830	○
120,37	1,78	72 NBR 872	49052301	○
120,37	1,78	80 FKM 610	49050727	○
120,37	2,50	88 NBR 156	49049235	○
120,37	3,96	88 NBR 156	49049236	○
120,43	5,95	88 NBR 156	49049237	○
120,47	5,33	72 NBR 872	49052302	○
120,61	3,53	88 NBR 156	49049238	○
120,70	5,33	70 EPDM 281	49053831	○
120,70	5,33	72 NBR 872	49052303	○

● Available from stock

○ On request: Tool is available, delivery at short notice



d ₁	d ₂	Material	Article No.	
120,70	5,33	80 FKM 610	49050728	○
120,72	3,53	72 NBR 872	49052304	○
121,00	1,60	80 FKM 610	49050729	○
121,00	2,50	72 NBR 872	449149	●
121,00	2,50	80 FKM 610	49050730	○
121,95	3,00	70 EPDM 281	49053832	○
122,00	3,00	70 EPDM 281	49047956	○
122,00	3,00	72 NBR 872	446179	●
122,00	3,00	80 FKM 610	449626	●
122,00	3,00	88 NBR 156	60317	●
122,00	4,00	72 NBR 872	448182	●
122,00	4,00	80 FKM 610	49050731	○
122,00	4,20	72 NBR 872	446150	●
122,00	4,20	80 FKM 610	49050732	○
122,00	4,50	72 NBR 872	49047247	○
122,31	3,00	88 NBR 156	49049239	○
122,37	4,50	88 NBR 156	49049240	○
122,39	4,19	88 NBR 156	49049241	○
123,00	1,78	70 EPDM 281	49053833	○
123,00	1,78	72 NBR 872	49047751	○
123,00	1,78	80 FKM 610	49050733	○
123,00	2,00	80 FKM 610	49050734	○
123,00	6,00	70 EPDM 281	49047891	○
123,00	6,00	72 NBR 872	445947	●
123,00	6,00	80 FKM 610	49050735	○
123,00	6,30	72 NBR 872	49047591	○
123,19	5,33	70 EPDM 281	49053834	○
123,19	5,33	72 NBR 872	49052305	○
123,19	5,33	80 FKM 610	49050736	○
123,19	6,99	70 EPDM 281	447888	●
123,36	1,78	88 NBR 156	49049242	○
123,36	5,95	88 NBR 156	49049243	○
123,42	3,53	70 EPDM 281	49053835	○
123,42	3,53	72 NBR 872	448032	●
123,42	3,53	80 FKM 610	49050737	○
123,48	1,78	72 NBR 872	49052306	○
123,58	7,00	88 NBR 156	49049244	○
123,70	7,00	72 NBR 872	49052307	○
123,78	3,53	88 NBR 156	49049245	○
123,80	5,33	70 EPDM 281	49053836	○
123,80	5,33	72 NBR 872	49052308	○
123,80	5,33	80 FKM 610	49050738	○
123,90	3,53	72 NBR 872	49052309	○
123,98	4,00	70 EPDM 281	49053837	○
124,00	2,00	72 NBR 872	49047248	○
124,00	3,00	72 NBR 872	446492	●
124,00	3,00	80 FKM 610	449627	●
124,00	4,00	72 NBR 872	445530	●
124,00	4,00	80 FKM 610	49050739	○
124,00	4,50	80 FKM 610	49050740	○
124,16	5,33	88 NBR 156	49049246	○

d ₁	d ₂	Material	Article No.	
124,20	5,70	72 NBR 872	447889	●
124,20	5,70	80 FKM 610	449628	●
124,20	5,70	88 NBR 156	49047319	○
124,29	5,33	72 NBR 872	49052310	○
124,30	5,70	80 FKM 610	49050741	○
124,34	4,00	88 NBR 156	49049247	○
124,38	2,01	88 NBR 156	49049248	○
124,49	3,00	70 EPDM 281	49053838	○
124,50	3,00	80 FKM 610	49050742	○
124,50	3,00	88 NBR 156	63438	●
124,59	5,69	88 NBR 156	49049249	○
124,60	6,99	72 NBR 872	14452134	●
124,60	6,99	80 FKM 610	49050743	○
124,67	3,96	88 NBR 156	49049250	○
124,82	1,78	70 EPDM 281	447836	●
124,82	1,78	72 NBR 872	49052311	○
124,82	1,78	80 FKM 610	49050744	○
124,86	3,00	88 NBR 156	49049251	○
124,97	3,00	70 EPDM 281	49053839	○
125,00	2,00	72 NBR 872	14452135	●
125,00	2,00	80 FKM 610	49050745	○
125,00	3,00	70 EPDM 281	49047867	○
125,00	3,00	72 NBR 872	49012085	●
125,00	3,00	80 FKM 610	49050746	○
125,00	3,50	70 EPDM 281	49047715	○
125,00	3,50	72 NBR 872	49047249	○
125,00	4,00	70 EPDM 281	327259	●
125,00	4,00	80 FKM 610	449629	●
125,00	5,00	70 EPDM 281	448397	●
125,00	5,00	72 NBR 872	446054	●
125,00	5,00	80 FKM 610	49050747	○
125,00	5,33	70 EPDM 281	49053840	○
125,00	5,33	72 NBR 872	49052312	○
125,00	5,33	80 FKM 610	49050748	○
125,00	6,00	72 NBR 872	14452136	●
125,00	6,00	80 FKM 610	49050749	○
125,32	3,51	88 NBR 156	49049252	○
125,34	3,00	88 NBR 156	49049253	○
125,40	4,99	88 NBR 156	49049254	○
125,73	5,00	72 NBR 872	49052313	○
125,95	3,00	70 EPDM 281	49053841	○
125,96	2,49	70 EPDM 281	49053842	○
125,98	1,50	70 EPDM 281	49053843	○
126,00	1,78	70 EPDM 281	49053844	○
126,00	1,78	72 NBR 872	49052314	○
126,00	1,78	80 FKM 610	49050750	○
126,00	3,00	72 NBR 872	448068	●
126,00	3,00	80 FKM 610	49050751	○
126,00	4,00	72 NBR 872	446106	●

● Available from stock

○ On request: Tool is available, delivery at short notice



d ₁	d ₂	Material	Article No.	
126,00	4,00	80 FKM 610	49050752	○
126,00	4,50	72 NBR 872	49047250	○
126,00	4,50	80 FKM 610	449656	●
126,00	5,00	72 NBR 872	14452137	●
126,00	5,00	80 FKM 610	49050753	○
126,00	10,00	72 NBR 872	49047585	○
126,31	3,00	88 NBR 156	49049255	○
126,33	2,50	88 NBR 156	49049256	○
126,35	1,50	88 NBR 156	49049257	○
126,36	6,99	70 EPDM 281	447725	●
126,37	4,50	88 NBR 156	49049258	○
126,37	5,33	70 EPDM 281	49053845	○
126,37	5,33	72 NBR 872	49052315	○
126,37	5,33	80 FKM 610	49050754	○
126,37	6,00	88 NBR 156	49049259	○
126,37	6,99	72 NBR 872	14452138	●
126,37	6,99	80 FKM 610	49050755	○
126,39	4,00	88 NBR 156	49049260	○
126,40	5,33	70 EPDM 281	49053846	○
126,59	3,53	70 EPDM 281	49053847	○
126,59	3,53	72 NBR 872	49052316	○
126,59	3,53	80 FKM 610	49050756	○
126,67	2,62	70 EPDM 281	327254	●
126,71	7,00	88 NBR 156	49049261	○
126,72	1,78	70 EPDM 281	49053848	○
126,72	1,78	72 NBR 872	49052317	○
126,72	1,78	80 FKM 610	49050757	○
126,77	5,33	88 NBR 156	49049262	○
126,83	7,00	72 NBR 872	49052318	○
126,90	2,71	88 NBR 156	49049263	○
126,90	5,33	72 NBR 872	49052319	○
127,00	5,00	70 EPDM 281	49047729	○
127,00	5,00	80 FKM 610	49050758	○
127,00	5,33	70 EPDM 281	447891	●
127,00	5,33	72 NBR 872	49052320	○
127,00	5,33	80 FKM 610	49050759	○
127,21	1,78	70 EPDM 281	49053849	○
127,33	5,01	88 NBR 156	49049264	○
127,48	6,06	88 NBR 156	49049265	○
127,59	1,78	88 NBR 156	49049266	○
127,71	1,78	72 NBR 872	49052321	○
128,00	2,00	72 NBR 872	14452139	●
128,00	2,00	80 FKM 610	49050760	○
128,00	3,00	70 EPDM 281	448411	●
128,00	3,00	72 NBR 872	445645	●
128,00	3,00	80 FKM 610	449630	●
128,00	6,00	70 EPDM 281	49047711	○
128,00	6,00	72 NBR 872	447838	●
128,00	6,00	80 FKM 610	49050761	○
128,00	9,00	72 NBR 872	445903	●
128,28	3,00	70 EPDM 281	49053850	○

d ₁	d ₂	Material	Article No.	
128,39	2,50	88 NBR 156	49049267	○
128,43	4,99	88 NBR 156	49049268	○
128,45	6,00	88 NBR 156	49049269	○
128,45	8,98	88 NBR 156	49049270	○
128,50	9,50	72 NBR 872	49047506	○
128,66	3,00	88 NBR 156	49049271	○
128,95	4,00	70 EPDM 281	49053851	○
128,99	2,00	70 EPDM 281	49053852	○
129,00	4,00	70 EPDM 281	49047383	○
129,00	4,00	72 NBR 872	4929	●
129,20	5,70	72 NBR 872	445815	●
129,20	5,70	80 FKM 610	449631	●
129,20	5,70	88 NBR 156	60330	●
129,30	5,70	80 FKM 610	49050762	○
129,33	4,00	88 NBR 156	49049272	○
129,36	2,01	88 NBR 156	49049273	○
129,45	3,00	70 EPDM 281	49053853	○
129,50	3,00	80 FKM 610	449632	●
129,50	3,00	88 NBR 156	60331	●
129,54	5,33	70 EPDM 281	49047747	○
129,54	5,33	72 NBR 872	14452140	●
129,54	5,33	80 FKM 610	49050763	○
129,54	6,99	70 EPDM 281	327244	●
129,54	6,99	80 FKM 610	49050764	○
129,58	5,69	88 NBR 156	49049274	○
129,75	9,96	72 NBR 872	49052322	○
129,77	3,53	70 EPDM 281	49047869	○
129,77	3,53	72 NBR 872	49047463	○
129,77	3,53	80 FKM 610	49050765	○
129,77	3,53	88 NBR 156	60332	●
129,86	3,53	70 EPDM 281	49053854	○
129,86	3,53	72 NBR 872	49052323	○
129,86	3,53	80 FKM 610	49050766	○
129,96	2,00	70 EPDM 281	49053855	○
129,96	2,49	70 EPDM 281	49053856	○
130,00	2,50	72 NBR 872	14452141	●
130,00	2,50	80 FKM 610	49050767	○
130,00	2,62	70 EPDM 281	49053857	○
130,00	2,62	72 NBR 872	49052324	○
130,00	2,62	80 FKM 610	49050768	○
130,00	2,99	72 NBR 872	49052325	○
130,00	3,00	70 EPDM 281	447000	●
130,00	3,00	72 NBR 872	445077	●
130,00	3,00	80 FKM 610	49050769	○
130,00	3,50	72 NBR 872	445816	●
130,00	3,50	80 FKM 610	49050770	○
130,00	4,00	72 NBR 872	444729	●
130,00	4,00	80 FKM 610	49050771	○
130,00	4,50	72 NBR 872	448440	●

● Available from stock

○ On request: Tool is available, delivery at short notice



d ₁	d ₂	Material	Article No.	
130,00	4,50	80 FKM 610	49050772	○
130,00	4,97	88 NBR 156	49049275	○
130,00	5,00	72 NBR 872	446579	●
130,00	5,00	80 FKM 610	49050773	○
130,00	5,33	70 EPDM 281	49047718	○
130,00	6,00	72 NBR 872	444763	●
130,00	6,00	80 FKM 610	49050774	○
130,00	10,80	72 NBR 872	447840	●
130,05	5,33	72 NBR 872	49052326	○
130,14	5,33	70 EPDM 281	49053858	○
130,20	5,33	70 EPDM 281	49053859	○
130,20	5,33	72 NBR 872	49052327	○
130,20	5,33	80 FKM 610	49050775	○
130,22	3,00	88 NBR 156	49049276	○
130,30	5,33	88 NBR 156	49049277	○
130,65	5,33	72 NBR 872	49052328	○
130,90	5,33	88 NBR 156	49049278	○
132,00	3,00	70 EPDM 281	49047382	○
132,00	3,00	72 NBR 872	445117	●
132,00	3,00	80 FKM 610	49050776	○
132,00	3,00	88 NBR 156	60333	●
132,00	4,00	72 NBR 872	14452142	●
132,00	4,00	80 FKM 610	49050777	○
132,00	5,00	72 NBR 872	5000	●
132,72	5,33	70 EPDM 281	49053860	○
132,72	5,33	72 NBR 872	14452143	●
132,72	5,33	80 FKM 610	49050778	○
132,72	6,99	72 NBR 872	14452144	●
132,72	6,99	80 FKM 610	49050779	○
132,76	3,00	88 NBR 156	49049279	○
132,92	3,53	70 EPDM 281	49053861	○
132,94	3,53	70 EPDM 281	49047390	○
132,94	3,53	72 NBR 872	14452145	●
132,94	3,53	80 FKM 610	49050780	○
133,00	1,10	80 FKM 610	49050781	○
133,00	2,00	80 FKM 610	49050782	○
133,00	4,00	70 EPDM 281	49047442	○
133,02	2,62	70 EPDM 281	49053862	○
133,02	2,62	72 NBR 872	49052329	○
133,02	2,62	80 FKM 610	49050783	○
133,07	1,78	70 EPDM 281	49053863	○
133,07	1,78	72 NBR 872	49052330	○
133,07	1,78	80 FKM 610	49050784	○
133,40	5,33	70 EPDM 281	49053864	○
133,40	5,33	72 NBR 872	49052331	○
133,40	5,33	80 FKM 610	49050785	○
133,44	3,53	72 NBR 872	49052332	○
133,71	3,53	88 NBR 156	49049280	○
133,82	4,00	88 NBR 156	49049281	○
134,00	3,00	72 NBR 872	14452146	●
134,00	3,00	80 FKM 610	49050786	○

d ₁	d ₂	Material	Article No.	
134,00	4,00	72 NBR 872	14452147	●
134,00	4,00	80 FKM 610	49050787	○
134,17	5,69	70 EPDM 281	49053865	○
134,20	5,70	72 NBR 872	445744	●
134,20	5,70	80 FKM 610	449633	●
134,20	5,70	88 NBR 156	49047320	○
134,30	5,70	80 FKM 610	49050788	○
134,50	3,00	72 NBR 872	49047589	○
134,50	3,00	80 FKM 610	449634	●
134,50	3,00	88 NBR 156	49047321	○
134,50	6,99	80 FKM 610	49050789	○
134,76	3,00	88 NBR 156	49049282	○
134,93	2,49	70 EPDM 281	49053866	○
134,97	4,99	70 EPDM 281	49053867	○
134,99	4,09	70 EPDM 281	49053868	○
135,00	2,00	80 FKM 610	49050790	○
135,00	2,50	72 NBR 872	445609	●
135,00	2,50	80 FKM 610	449635	●
135,00	4,00	72 NBR 872	445723	●
135,00	4,00	80 FKM 610	49050791	○
135,00	5,00	70 EPDM 281	447892	●
135,00	5,00	72 NBR 872	445922	●
135,00	5,00	80 FKM 610	49050792	○
135,00	6,00	72 NBR 872	447261	●
135,00	6,00	80 FKM 610	49050793	○
135,73	2,50	88 NBR 156	49049283	○
135,78	4,09	88 NBR 156	49049284	○
135,80	3,00	88 NBR 156	49049285	○
135,89	5,33	70 EPDM 281	49053869	○
135,89	5,33	72 NBR 872	49052333	○
135,89	5,33	80 FKM 610	49050794	○
135,89	6,99	70 EPDM 281	447893	●
135,89	6,99	80 FKM 610	49050795	○
136,00	3,00	72 NBR 872	14452148	●
136,00	3,00	80 FKM 610	49050796	○
136,00	5,00	72 NBR 872	447842	●
136,02	1,50	70 EPDM 281	49053870	○
136,12	3,53	70 EPDM 281	447653	●
136,12	3,53	72 NBR 872	49047523	○
136,12	3,53	80 FKM 610	49050797	○
136,26	4,00	70 EPDM 281	49053871	○
136,49	2,10	70 EPDM 281	49053872	○
136,50	5,33	70 EPDM 281	49053873	○
136,50	5,33	72 NBR 872	49052334	○
136,50	5,33	80 FKM 610	49050798	○
137,00	3,00	72 NBR 872	14452149	●
137,00	3,00	80 FKM 610	49050799	○
137,00	5,00	80 FKM 610	49050800	○
137,06	4,00	88 NBR 156	49049286	○

● Available from stock

○ On request: Tool is available, delivery at short notice



d ₁	d ₂	Material	Article No.	
137,69	7,00	72 NBR 872	49052335	○
137,95	2,10	70 EPDM 281	49053874	○
137,96	7,00	88 NBR 156	49049287	○
138,00	4,00	72 NBR 872	49052336	○
138,00	4,00	80 FKM 610	49050801	○
138,00	5,97	72 NBR 872	49052337	○
138,00	6,00	70 EPDM 281	49047389	○
138,00	6,00	72 NBR 872	446580	●
138,00	6,00	80 FKM 610	49050802	○
138,00	10,00	72 NBR 872	5067	●
138,05	2,62	70 EPDM 281	49053875	○
138,59	2,62	72 NBR 872	49052338	○
138,75	7,00	72 NBR 872	49052339	○
138,76	2,11	88 NBR 156	49049288	○
138,77	8,52	88 NBR 156	49049289	○
138,82	5,95	88 NBR 156	49049290	○
138,86	2,62	88 NBR 156	49049291	○
139,02	7,00	88 NBR 156	49049292	○
139,06	6,99	70 EPDM 281	49047388	○
139,07	5,33	70 EPDM 281	49053876	○
139,07	5,33	72 NBR 872	14452150	●
139,07	5,33	80 FKM 610	49050803	○
139,07	6,99	80 FKM 610	49050804	○
139,20	5,70	72 NBR 872	444744	●
139,20	5,70	80 FKM 610	449636	●
139,20	5,70	88 NBR 156	49047322	○
139,26	3,53	70 EPDM 281	49053877	○
139,29	3,53	70 EPDM 281	49053878	○
139,29	3,53	72 NBR 872	448221	●
139,29	3,53	80 FKM 610	49050805	○
139,30	5,70	72 NBR 872	14452151	●
139,30	5,70	80 FKM 610	49050806	○
139,50	3,00	72 NBR 872	49047417	○
139,50	3,00	80 FKM 610	449637	●
139,50	3,00	88 NBR 156	60338	●
139,70	5,33	70 EPDM 281	327511	●
139,70	5,33	72 NBR 872	14452152	●
139,70	5,33	80 FKM 610	49050807	○
139,73	8,00	72 NBR 872	49052340	○
139,80	3,53	72 NBR 872	49052341	○
139,96	3,80	70 EPDM 281	49053879	○
139,96	4,29	70 EPDM 281	49053880	○
139,98	2,62	70 EPDM 281	49053881	○
140,00	3,00	70 EPDM 281	447414	●
140,00	3,00	72 NBR 872	49012086	●
140,00	3,00	80 FKM 610	49050808	○
140,00	3,00	88 NBR 156	49047323	○
140,00	3,15	80 FKM 610	49050809	○
140,00	4,00	70 EPDM 281	446689	●
140,00	4,00	72 NBR 872	445661	●
140,00	4,00	80 FKM 610	49050810	○

d ₁	d ₂	Material	Article No.	
140,00	4,30	72 NBR 872	49047349	○
140,00	5,00	72 NBR 872	444786	●
140,00	5,00	80 FKM 610	49050811	○
140,00	6,00	70 EPDM 281	49047525	○
140,00	6,00	80 FKM 610	49050812	○
140,00	8,00	72 NBR 872	447843	●
140,08	3,53	88 NBR 156	49049293	○
140,08	6,39	72 NBR 872	49052342	○
140,39	5,33	88 NBR 156	49049294	○
140,53	2,62	72 NBR 872	49052343	○
140,78	3,80	88 NBR 156	49049295	○
140,78	4,29	88 NBR 156	49049296	○
140,80	2,62	88 NBR 156	49049297	○
140,86	4,99	88 NBR 156	49049298	○
141,02	3,86	88 NBR 156	49049299	○
141,44	3,00	70 EPDM 281	49053882	○
141,95	6,00	70 EPDM 281	49053883	○
141,95	6,30	70 EPDM 281	49053884	○
141,96	1,95	88 NBR 156	49049300	○
142,00	3,00	72 NBR 872	14452153	●
142,00	3,00	80 FKM 610	49050813	○
142,00	4,00	72 NBR 872	444759	●
142,00	4,00	80 FKM 610	49050814	○
142,00	6,00	72 NBR 872	445761	●
142,00	6,00	80 FKM 610	49050815	○
142,00	6,30	72 NBR 872	49047251	○
142,24	5,33	70 EPDM 281	49053885	○
142,24	5,33	72 NBR 872	14452154	●
142,24	5,33	80 FKM 610	49050816	○
142,24	6,99	72 NBR 872	14452155	●
142,24	6,99	80 FKM 610	49050817	○
142,27	3,00	88 NBR 156	49049301	○
142,47	3,53	70 EPDM 281	447895	●
142,47	3,53	72 NBR 872	49052344	○
142,47	3,53	80 FKM 610	14450974	●
142,65	5,69	70 EPDM 281	49053886	○
142,78	6,00	88 NBR 156	49049302	○
142,78	6,31	88 NBR 156	49049303	○
142,90	5,33	70 EPDM 281	49053887	○
142,90	5,33	72 NBR 872	49052345	○
142,90	5,33	80 FKM 610	49050818	○
143,00	2,62	70 EPDM 281	49053888	○
143,00	2,62	72 NBR 872	49052346	○
143,00	2,62	80 FKM 610	49050819	○
143,49	5,69	88 NBR 156	49049304	○
143,72	4,53	72 NBR 872	49052347	○
143,72	5,00	72 NBR 872	49052348	○
143,74	4,00	72 NBR 872	49052349	○
143,89	5,69	72 NBR 872	49052350	○

● Available from stock

○ On request: Tool is available, delivery at short notice



d ₁	d ₂	Material	Article No.	
144,00	3,00	72 NBR 872	446457	●
144,00	3,00	80 FKM 610	49050820	○
144,00	3,50	72 NBR 872	14452156	●
144,00	3,50	80 FKM 610	49050821	○
144,00	4,00	70 EPDM 281	49047586	○
144,00	4,00	72 NBR 872	444685	●
144,00	4,00	80 FKM 610	449638	●
144,00	4,50	70 EPDM 281	49047722	○
144,00	4,99	88 NBR 156	49049305	○
144,00	5,00	70 EPDM 281	49047737	○
144,00	5,00	72 NBR 872	49047252	○
144,20	5,70	72 NBR 872	447175	●
144,20	5,70	80 FKM 610	49047852	○
144,20	5,70	88 NBR 156	49047324	○
144,46	3,00	70 EPDM 281	49053889	○
144,50	3,00	72 NBR 872	445541	●
144,50	3,00	80 FKM 610	449657	●
144,50	3,00	88 NBR 156	60341	●
144,68	5,00	72 NBR 872	49052351	○
144,70	4,00	72 NBR 872	49052352	○
144,74	3,00	72 NBR 872	49052353	○
144,85	5,33	72 NBR 872	49052354	○
144,97	2,49	70 EPDM 281	49053890	○
144,99	1,50	70 EPDM 281	49053891	○
145,00	2,50	72 NBR 872	14452157	●
145,00	2,50	80 FKM 610	49050822	○
145,00	3,00	72 NBR 872	14452158	●
145,00	3,00	80 FKM 610	49050823	○
145,00	4,00	72 NBR 872	14452159	●
145,00	4,00	80 FKM 610	49050824	○
145,00	5,00	70 EPDM 281	49047614	○
145,00	5,00	72 NBR 872	445663	●
145,00	5,00	80 FKM 610	49050825	○
145,09	7,00	72 NBR 872	49052355	○
145,14	5,33	70 EPDM 281	49053892	○
145,31	3,00	88 NBR 156	49049306	○
145,37	7,00	88 NBR 156	49049307	○
145,41	6,99	70 EPDM 281	447897	●
145,41	6,99	72 NBR 872	49047253	○
145,42	5,33	70 EPDM 281	49053893	○
145,42	5,33	72 NBR 872	14452160	●
145,42	5,33	80 FKM 610	49050826	○
145,42	6,99	80 FKM 610	49050827	○
145,64	3,53	70 EPDM 281	447898	●
145,64	3,53	72 NBR 872	49052356	○
145,64	3,53	80 FKM 610	49050828	○
145,68	12,00	72 NBR 872	49052357	○
145,69	4,00	72 NBR 872	49052358	○
145,71	5,33	70 EPDM 281	49053894	○
145,72	2,62	70 EPDM 281	49053895	○
145,72	2,62	72 NBR 872	14452161	●

d ₁	d ₂	Material	Article No.	
145,72	2,62	80 FKM 610	49050829	○
145,89	3,86	72 NBR 872	49052359	○
146,00	3,00	72 NBR 872	14452162	●
146,00	3,00	80 FKM 610	49050830	○
146,00	4,00	80 FKM 610	49050831	○
146,10	5,33	70 EPDM 281	49053896	○
146,10	5,33	72 NBR 872	49052360	○
146,10	5,33	80 FKM 610	49050832	○
146,18	3,86	88 NBR 156	49049308	○
146,28	5,33	72 NBR 872	49052361	○
146,57	5,33	88 NBR 156	49049309	○
146,86	5,49	88 NBR 156	49049310	○
147,67	7,00	72 NBR 872	49052362	○
147,69	6,00	72 NBR 872	49052363	○
147,69	10,00	72 NBR 872	49052364	○
147,92	5,33	70 EPDM 281	49053897	○
147,96	7,00	88 NBR 156	49049311	○
148,00	2,50	72 NBR 872	14452163	●
148,00	2,50	80 FKM 610	49050833	○
148,00	5,00	72 NBR 872	446167	●
148,00	5,00	80 FKM 610	49050834	○
148,00	6,00	72 NBR 872	446719	●
148,00	6,00	80 FKM 610	49050835	○
148,00	7,00	72 NBR 872	5202	●
148,00	10,00	72 NBR 872	446169	●
148,50	2,50	72 NBR 872	49047511	○
148,50	5,33	72 NBR 872	49052365	○
148,59	5,33	70 EPDM 281	49053898	○
148,59	5,33	72 NBR 872	49052366	○
148,59	5,33	80 FKM 610	49050836	○
148,59	6,99	80 FKM 610	49050837	○
148,79	5,33	88 NBR 156	49049312	○
148,82	3,53	70 EPDM 281	447870	●
148,82	3,53	72 NBR 872	49052367	○
148,82	3,53	80 FKM 610	49050838	○
148,88	5,69	72 NBR 872	49052368	○
148,95	3,00	70 EPDM 281	49053899	○
149,00	3,00	72 NBR 872	445832	●
149,00	3,00	80 FKM 610	49050839	○
149,18	5,69	88 NBR 156	49049313	○
149,20	5,33	70 EPDM 281	49053900	○
149,20	5,33	72 NBR 872	49052369	○
149,20	5,33	80 FKM 610	49050840	○
149,20	5,70	72 NBR 872	446892	●
149,20	5,70	80 FKM 610	449641	●
149,20	5,70	88 NBR 156	60342	●
149,30	5,70	80 FKM 610	49050841	○
149,30	6,99	70 EPDM 281	447844	●
149,30	6,99	80 FKM 610	49050842	○

● Available from stock

○ On request: Tool is available, delivery at short notice



d ₁	d ₂	Material	Article No.	
149,50	3,00	80 FKM 610	49050843	○
149,67	5,00	72 NBR 872	49052370	○
149,68	4,50	72 NBR 872	49052371	○
149,71	4,00	72 NBR 872	49052372	○
149,82	3,00	88 NBR 156	49049314	○
149,92	3,00	88 NBR 156	49049315	○
149,96	5,01	88 NBR 156	49049316	○
149,96	5,98	70 EPDM 281	49053901	○
150,00	2,00	70 EPDM 281	327499	●
150,00	2,00	72 NBR 872	445667	●
150,00	2,00	80 FKM 610	49050844	○
150,00	2,50	72 NBR 872	14452164	●
150,00	2,50	80 FKM 610	49050845	○
150,00	3,00	70 EPDM 281	446155	●
150,00	3,00	72 NBR 872	445529	●
150,00	3,00	80 FKM 610	449642	●
150,00	4,00	70 EPDM 281	448041	●
150,00	4,00	72 NBR 872	444799	●
150,00	4,00	80 FKM 610	49047825	○
150,00	4,00	88 NBR 156	49049317	○
150,00	4,50	72 NBR 872	445939	●
150,00	4,50	80 FKM 610	49050846	○
150,00	5,00	72 NBR 872	445657	●
150,00	5,00	80 FKM 610	49050847	○
150,00	6,00	72 NBR 872	444730	●
150,00	6,00	80 FKM 610	49050848	○
150,00	6,00	88 NBR 156	60343	●
150,00	8,00	72 NBR 872	49052373	○
150,10	3,00	80 FKM 610	49050849	○
150,29	7,99	88 NBR 156	49049318	○
150,80	5,33	70 EPDM 281	49053902	○
151,08	3,53	70 EPDM 281	49053903	○
151,39	5,33	72 NBR 872	49052374	○
151,42	7,00	72 NBR 872	49052375	○
151,62	5,59	72 NBR 872	49052376	○
151,67	3,53	72 NBR 872	49052377	○
151,69	5,33	88 NBR 156	49049319	○
151,70	5,33	70 EPDM 281	49053904	○
151,70	5,33	72 NBR 872	49052378	○
151,70	5,33	80 FKM 610	49050850	○
151,70	6,00	72 NBR 872	49052379	○
151,72	7,00	88 NBR 156	49049320	○
151,76	5,33	70 EPDM 281	447726	●
151,76	6,99	70 EPDM 281	327495	●
151,77	6,99	80 FKM 610	49050851	○
151,97	3,53	88 NBR 156	49049321	○
151,99	3,53	70 EPDM 281	49053905	○
151,99	3,53	72 NBR 872	49052380	○
151,99	3,53	80 FKM 610	49050852	○
151,99	3,53	88 NBR 156	60344	●
152,00	5,00	80 FKM 610	49050853	○

d ₁	d ₂	Material	Article No.	
152,00	8,00	70 EPDM 281	49047934	○
152,07	2,62	70 EPDM 281	49053906	○
152,07	2,62	72 NBR 872	49052381	○
152,07	2,62	80 FKM 610	49050854	○
152,19	2,50	72 NBR 872	49052382	○
152,49	2,50	88 NBR 156	49049322	○
152,50	2,50	72 NBR 872	446409	●
152,50	2,50	80 FKM 610	49050855	○
153,00	4,00	80 FKM 610	49050856	○
153,00	6,00	72 NBR 872	49047254	○
153,87	5,69	72 NBR 872	49052383	○
154,05	1,50	70 EPDM 281	49053907	○
154,20	5,70	72 NBR 872	445699	●
154,20	5,70	80 FKM 610	449643	●
154,20	5,70	88 NBR 156	49047325	○
154,30	5,70	80 FKM 610	49050857	○
154,66	1,50	72 NBR 872	49052384	○
154,66	5,00	72 NBR 872	49052385	○
154,70	4,00	72 NBR 872	49052386	○
154,72	3,20	72 NBR 872	49052387	○
154,96	5,01	88 NBR 156	49049323	○
155,00	1,50	80 FKM 610	49050858	○
155,00	3,00	72 NBR 872	447111	●
155,00	3,00	80 FKM 610	49050859	○
155,00	4,00	72 NBR 872	446056	●
155,00	4,00	80 FKM 610	49050860	○
155,00	4,00	88 NBR 156	49049324	○
155,00	5,00	72 NBR 872	447900	●
155,00	5,00	80 FKM 610	49050861	○
155,00	5,33	70 EPDM 281	49053908	○
155,00	5,33	72 NBR 872	49052388	○
155,00	5,33	80 FKM 610	49050862	○
155,58	6,99	70 EPDM 281	447872	●
155,60	6,99	72 NBR 872	14452165	●
155,60	6,99	80 FKM 610	49050863	○
157,00	2,50	80 FKM 610	49050864	○
157,39	3,53	70 EPDM 281	49053909	○
157,69	5,00	72 NBR 872	49052389	○
158,00	3,00	70 EPDM 281	14450603	●
158,00	3,00	80 FKM 610	49050865	○
158,00	3,53	72 NBR 872	49052390	○
158,00	5,01	88 NBR 156	49049325	○
158,12	5,33	70 EPDM 281	49053910	○
158,12	5,33	72 NBR 872	49052391	○
158,12	5,33	80 FKM 610	49050866	○
158,12	6,99	72 NBR 872	14452166	●
158,12	6,99	80 FKM 610	49050867	○
158,31	3,53	88 NBR 156	49049326	○
158,34	3,53	70 EPDM 281	447901	●

● Available from stock

○ On request: Tool is available, delivery at short notice



d ₁	d ₂	Material	Article No.	
158,34	3,53	72 NBR 872	49047499	○
158,34	3,53	80 FKM 610	49050868	○
158,42	2,62	70 EPDM 281	49053911	○
158,42	2,62	72 NBR 872	49052392	○
158,42	2,62	80 FKM 610	49050869	○
158,65	6,00	72 NBR 872	49052393	○
158,75	4,75	80 FKM 610	49050870	○
158,79	5,33	70 EPDM 281	49053912	○
158,86	5,69	72 NBR 872	49052394	○
159,00	6,00	72 NBR 872	49047255	○
159,00	6,00	80 FKM 610	49050871	○
159,18	5,69	88 NBR 156	49049327	○
159,20	5,70	72 NBR 872	448548	●
159,20	5,70	80 FKM 610	449644	●
159,30	5,70	80 FKM 610	49050872	○
159,41	5,33	72 NBR 872	49052395	○
159,50	6,99	80 FKM 610	49050873	○
159,51	5,95	88 NBR 156	49049328	○
159,67	5,00	72 NBR 872	49052396	○
159,69	4,00	72 NBR 872	49052397	○
159,71	3,00	72 NBR 872	49052398	○
159,73	5,33	88 NBR 156	49049329	○
159,94	2,01	88 NBR 156	49049330	○
159,98	4,99	88 NBR 156	49049331	○
160,00	2,00	72 NBR 872	49047906	○
160,00	3,00	70 EPDM 281	446476	●
160,00	3,00	72 NBR 872	445544	●
160,00	3,00	80 FKM 610	449658	●
160,00	4,00	72 NBR 872	14452167	●
160,00	4,00	80 FKM 610	49050874	○
160,00	5,00	72 NBR 872	446452	●
160,00	5,00	80 FKM 610	449645	●
160,00	5,00	88 NBR 156	49047326	○
160,00	6,00	70 EPDM 281	49047619	○
160,00	6,00	80 FKM 610	49050875	○
160,00	10,00	72 NBR 872	445470	●
160,00	10,50	72 NBR 872	49047900	○
160,02	3,00	88 NBR 156	49049332	○
160,62	5,33	70 EPDM 281	49053913	○
160,88	2,01	88 NBR 156	49049333	○
161,00	2,40	80 FKM 610	49050876	○
161,25	5,33	72 NBR 872	49052399	○
161,57	5,33	88 NBR 156	49049334	○
161,57	7,00	72 NBR 872	49052400	○
161,68	2,30	72 NBR 872	49052401	○
161,88	7,00	88 NBR 156	49049335	○
161,90	6,99	80 FKM 610	49050877	○
162,05	1,50	70 EPDM 281	49053914	○
162,66	6,00	72 NBR 872	49052402	○
162,68	1,50	72 NBR 872	49052403	○
163,46	3,50	88 NBR 156	49049336	○

d ₁	d ₂	Material	Article No.	
163,49	5,33	70 EPDM 281	49053915	○
163,72	3,53	70 EPDM 281	49053916	○
163,86	5,69	72 NBR 872	49052404	○
164,00	1,50	70 EPDM 281	49053917	○
164,13	5,33	72 NBR 872	49052405	○
164,20	5,70	72 NBR 872	446714	●
164,20	5,70	80 FKM 610	49047640	○
164,20	5,70	88 NBR 156	60321	●
164,30	5,70	80 FKM 610	49050878	○
164,31	7,00	72 NBR 872	49052406	○
164,36	3,53	72 NBR 872	49052407	○
164,37	5,33	70 EPDM 281	49053918	○
164,45	5,33	88 NBR 156	49049337	○
164,46	6,99	70 EPDM 281	49047515	○
164,46	6,99	72 NBR 872	49047577	○
164,47	5,33	70 EPDM 281	49047664	○
164,47	5,33	72 NBR 872	49052408	○
164,47	5,33	80 FKM 610	49050879	○
164,47	6,99	80 FKM 610	49050880	○
164,50	3,00	72 NBR 872	49047827	○
164,50	3,00	80 FKM 610	49050881	○
164,63	7,00	88 NBR 156	49049338	○
164,64	1,50	72 NBR 872	49052409	○
164,68	4,00	72 NBR 872	49052410	○
164,69	3,53	70 EPDM 281	446585	●
164,69	3,53	88 NBR 156	49049339	○
164,70	3,53	70 EPDM 281	49053919	○
164,70	3,53	72 NBR 872	14452168	●
164,70	3,53	80 FKM 610	49050882	○
164,77	2,62	70 EPDM 281	49053920	○
164,77	2,62	72 NBR 872	49052411	○
164,77	2,62	80 FKM 610	49050883	○
164,78	7,00	70 EPDM 281	49053921	○
164,78	7,00	72 NBR 872	49052412	○
165,00	3,00	72 NBR 872	14452169	●
165,00	3,00	80 FKM 610	49050884	○
165,00	3,50	80 FKM 610	49050885	○
165,00	4,00	72 NBR 872	445652	●
165,00	4,00	80 FKM 610	49050886	○
165,00	4,00	88 NBR 156	49049340	○
165,00	5,00	72 NBR 872	446410	●
165,00	5,00	80 FKM 610	49047641	○
165,00	7,00	70 EPDM 281	49053922	○
165,00	7,00	72 NBR 872	49052413	○
165,00	7,00	80 FKM 610	49050887	○
165,01	5,33	72 NBR 872	49052414	○
165,33	5,33	88 NBR 156	49049341	○
165,98	4,97	88 NBR 156	49049342	○
166,00	6,00	72 NBR 872	49047256	○

● Available from stock

○ On request: Tool is available, delivery at short notice



d ₁	d ₂	Material	Article No.	
166,04	2,44	88 NBR 156	49049343	○
166,36	7,00	72 NBR 872	49052415	○
166,63	4,00	72 NBR 872	49052416	○
166,63	5,00	72 NBR 872	49052417	○
166,69	7,00	88 NBR 156	49049344	○
166,70	6,99	72 NBR 872	14452170	●
166,70	6,99	80 FKM 610	49050888	○
167,65	4,00	72 NBR 872	49052418	○
168,30	6,99	80 FKM 610	49050889	○
168,63	2,50	72 NBR 872	49052419	○
168,85	5,69	72 NBR 872	49052420	○
168,96	2,50	88 NBR 156	49049345	○
168,97	1,50	70 EPDM 281	49053923	○
169,18	5,69	88 NBR 156	49049346	○
169,20	5,70	72 NBR 872	445718	●
169,20	5,70	80 FKM 610	449648	●
169,20	5,70	88 NBR 156	60322	●
169,30	5,70	72 NBR 872	14452171	●
169,30	5,70	80 FKM 610	49050890	○
169,63	1,50	72 NBR 872	49052421	○
169,67	3,51	72 NBR 872	49052422	○
169,67	4,00	72 NBR 872	49052423	○
169,69	3,00	72 NBR 872	49052424	○
169,79	5,33	70 EPDM 281	49053924	○
170,00	2,00	72 NBR 872	14452172	●
170,00	2,00	80 FKM 610	49050891	○
170,00	3,00	72 NBR 872	445716	●
170,00	3,00	80 FKM 610	49050892	○
170,00	3,50	72 NBR 872	49047257	○
170,00	3,51	88 NBR 156	49049347	○
170,00	3,55	80 FKM 610	49047845	○
170,00	4,00	72 NBR 872	444800	●
170,00	4,00	80 FKM 610	449649	●
170,00	4,00	88 NBR 156	49049348	○
170,00	4,97	88 NBR 156	49049349	○
170,00	5,00	70 EPDM 281	447415	●
170,00	5,00	80 FKM 610	49050893	○
170,00	5,50	80 FKM 610	49050894	○
170,00	6,00	72 NBR 872	14452173	●
170,00	6,00	80 FKM 610	49050895	○
170,00	8,00	72 NBR 872	49052425	○
170,02	3,00	88 NBR 156	49049350	○
170,10	2,62	70 EPDM 281	49053925	○
170,33	7,99	88 NBR 156	49049351	○
170,45	5,33	72 NBR 872	49052426	○
170,47	7,00	72 NBR 872	49052427	○
170,76	2,62	72 NBR 872	49052428	○
170,78	5,33	88 NBR 156	49049352	○
170,80	7,00	88 NBR 156	49049353	○
170,81	6,99	70 EPDM 281	448520	●
170,82	5,33	70 EPDM 281	49047618	○

d ₁	d ₂	Material	Article No.	
170,82	5,33	72 NBR 872	14452174	●
170,82	5,33	80 FKM 610	49050896	○
170,82	6,99	72 NBR 872	14452175	●
170,82	6,99	80 FKM 610	49050897	○
171,00	11,00	72 NBR 872	49047258	○
171,04	3,53	70 EPDM 281	447416	●
171,04	3,53	72 NBR 872	49052429	○
171,04	3,53	80 FKM 610	49050898	○
171,10	2,62	70 EPDM 281	447417	●
171,10	2,62	88 NBR 156	49049354	○
171,12	2,62	70 EPDM 281	49053926	○
171,12	2,62	72 NBR 872	49052430	○
171,12	2,62	80 FKM 610	49050899	○
171,62	4,00	72 NBR 872	49052431	○
171,64	3,61	72 NBR 872	49052432	○
171,66	6,00	72 NBR 872	49052433	○
171,96	4,00	88 NBR 156	49049355	○
171,98	3,61	88 NBR 156	49049356	○
172,00	4,00	70 EPDM 281	49047492	○
172,00	4,00	72 NBR 872	449017	●
172,00	4,00	80 FKM 610	49050900	○
172,00	4,50	72 NBR 872	14452176	●
172,00	4,50	80 FKM 610	49050901	○
172,00	5,00	80 FKM 610	49050902	○
172,00	6,00	72 NBR 872	49047922	○
172,33	3,53	70 EPDM 281	49053927	○
172,33	3,53	72 NBR 872	49052434	○
173,00	7,00	72 NBR 872	5444	●
173,26	3,53	70 EPDM 281	49053928	○
173,84	5,69	72 NBR 872	49052435	○
173,93	3,53	72 NBR 872	49052436	○
173,94	3,00	88 NBR 156	49049357	○
174,00	2,50	72 NBR 872	49047502	○
174,00	2,50	80 FKM 610	49050903	○
174,00	3,00	70 EPDM 281	49047387	○
174,00	3,00	72 NBR 872	444752	●
174,00	3,00	80 FKM 610	49050904	○
174,00	6,00	80 FKM 610	49050905	○
174,20	5,70	72 NBR 872	5455	●
174,20	5,70	80 FKM 610	449650	●
174,20	5,70	88 NBR 156	49047317	○
174,27	3,53	88 NBR 156	49049358	○
174,60	6,99	80 FKM 610	49050906	○
174,63	6,99	70 EPDM 281	447871	●
174,66	4,00	72 NBR 872	49052437	○
175,00	2,50	72 NBR 872	14452177	●
175,00	2,50	80 FKM 610	49050907	○
175,00	4,00	70 EPDM 281	327568	●
175,00	5,00	80 FKM 610	49050908	○

● Available from stock

○ On request: Tool is available, delivery at short notice



d ₁	d ₂	Material	Article No.	
175,00	5,33	70 EPDM 281	49053929	○
175,00	5,33	72 NBR 872	49052438	○
175,00	5,33	80 FKM 610	49050909	○
175,00	6,00	70 EPDM 281	447903	●
175,00	6,00	72 NBR 872	446715	●
175,00	6,00	80 FKM 610	49050910	○
175,00	7,00	70 EPDM 281	49053930	○
175,00	7,00	72 NBR 872	445748	●
175,00	7,00	80 FKM 610	49050911	○
176,50	6,99	80 FKM 610	49050912	○
176,61	3,51	72 NBR 872	49052439	○
176,63	3,00	72 NBR 872	49052440	○
176,65	2,50	72 NBR 872	49052441	○
177,00	2,50	72 NBR 872	49047903	○
177,00	3,00	80 FKM 610	449651	●
177,00	3,50	72 NBR 872	49047360	○
177,16	6,99	70 EPDM 281	49047386	○
177,17	5,33	70 EPDM 281	49053931	○
177,17	5,33	72 NBR 872	49052442	○
177,17	5,33	80 FKM 610	49050913	○
177,17	6,99	72 NBR 872	447246	●
177,17	6,99	80 FKM 610	49050914	○
177,39	3,53	70 EPDM 281	49053932	○
177,39	3,53	72 NBR 872	49052443	○
177,39	3,53	80 FKM 610	49050915	○
177,47	2,62	70 EPDM 281	49053933	○
177,47	2,62	72 NBR 872	14452178	●
177,47	2,62	80 FKM 610	49050916	○
177,79	5,33	70 EPDM 281	49053934	○
178,00	5,00	72 NBR 872	49047820	○
178,00	5,00	80 FKM 610	49050917	○
178,48	5,33	72 NBR 872	49052444	○
178,83	5,33	88 NBR 156	49049359	○
178,83	5,69	72 NBR 872	49052445	○
178,94	3,00	88 NBR 156	49049360	○
179,00	3,00	70 EPDM 281	327475	●
179,00	3,00	72 NBR 872	445651	●
179,00	3,00	80 FKM 610	49050918	○
179,20	5,70	70 EPDM 281	49047948	○
179,20	5,70	72 NBR 872	444798	●
179,20	5,70	80 FKM 610	449652	●
179,20	5,70	88 NBR 156	60324	●
179,45	5,33	70 EPDM 281	49053935	○
179,63	4,50	72 NBR 872	49052446	○
179,63	5,00	72 NBR 872	49052447	○
179,65	4,00	72 NBR 872	49052448	○
179,67	3,00	72 NBR 872	49052449	○
179,98	4,99	88 NBR 156	49049361	○
180,00	3,00	72 NBR 872	49047490	○
180,00	4,00	70 EPDM 281	447904	●
180,00	4,00	72 NBR 872	444686	●

d ₁	d ₂	Material	Article No.	
180,00	4,00	80 FKM 610	49050919	○
180,00	4,50	72 NBR 872	49047557	○
180,00	4,50	80 FKM 610	49050920	○
180,00	5,00	70 EPDM 281	447905	●
180,00	5,00	72 NBR 872	445646	●
180,00	5,00	80 FKM 610	49050921	○
180,00	6,00	72 NBR 872	445664	●
180,00	6,00	80 FKM 610	49050922	○
180,00	20,00	72 NBR 872	49047888	○
180,16	5,33	72 NBR 872	49052450	○
180,51	5,33	88 NBR 156	49049362	○
180,98	6,99	70 EPDM 281	327472	●
181,00	6,99	72 NBR 872	14452179	●
181,00	6,99	80 FKM 610	49050923	○
181,60	4,00	72 NBR 872	49052451	○
181,62	3,00	72 NBR 872	49052452	○
182,00	3,00	72 NBR 872	446505	●
182,00	3,00	80 FKM 610	49050924	○
182,00	6,00	80 FKM 610	49050925	○
183,51	6,99	70 EPDM 281	448524	●
183,52	5,33	70 EPDM 281	448420	●
183,52	5,33	72 NBR 872	49052453	○
183,52	5,33	80 FKM 610	49050926	○
183,52	6,99	80 FKM 610	49050927	○
183,64	5,00	72 NBR 872	49052454	○
183,74	3,53	70 EPDM 281	49053936	○
183,74	3,53	72 NBR 872	49052455	○
183,74	3,53	80 FKM 610	49050928	○
183,82	2,62	70 EPDM 281	49053937	○
183,82	2,62	72 NBR 872	49052456	○
183,82	2,62	80 FKM 610	49050929	○
183,82	5,69	72 NBR 872	49052457	○
183,88	1,50	70 EPDM 281	49053938	○
184,00	5,00	72 NBR 872	49047590	○
184,00	8,00	72 NBR 872	49047259	○
184,20	5,70	72 NBR 872	446414	●
184,20	5,70	80 FKM 610	449660	●
184,42	5,00	72 NBR 872	49052458	○
184,60	1,50	72 NBR 872	49052459	○
184,60	5,98	72 NBR 872	49052460	○
184,62	5,00	72 NBR 872	49052461	○
184,66	3,00	72 NBR 872	49052462	○
184,93	3,51	72 NBR 872	49052463	○
184,96	5,98	88 NBR 156	49049363	○
185,00	5,00	72 NBR 872	14452180	●
185,00	5,00	80 FKM 610	49050930	○
185,00	6,00	70 EPDM 281	49047439	○
185,00	10,00	72 NBR 872	447853	●
185,02	3,00	88 NBR 156	49049364	○

● Available from stock

○ On request: Tool is available, delivery at short notice



d ₁	d ₂	Material	Article No.	
185,54	7,71	72 NBR 872	49052464	○
185,62	3,51	72 NBR 872	49052465	○
185,62	4,00	72 NBR 872	49052466	○
185,90	7,71	88 NBR 156	49049365	○
186,00	3,50	72 NBR 872	447189	●
186,00	3,50	80 FKM 610	49050931	○
186,63	7,71	88 NBR 156	49049366	○
186,92	7,00	72 NBR 872	49052467	○
187,08	3,51	72 NBR 872	49052468	○
187,28	7,00	88 NBR 156	49049367	○
187,30	6,99	80 FKM 610	49050932	○
187,33	6,99	70 EPDM 281	447906	●
188,00	2,00	72 NBR 872	445697	●
188,00	2,00	80 FKM 610	49050933	○
188,00	4,00	72 NBR 872	14452181	●
188,00	4,00	80 FKM 610	49050934	○
188,73	5,33	70 EPDM 281	49053939	○
188,98	3,53	70 EPDM 281	49053940	○
189,20	5,70	70 EPDM 281	49047583	○
189,20	5,70	72 NBR 872	444795	●
189,20	5,70	80 FKM 610	449661	●
189,20	5,70	88 NBR 156	60326	●
189,30	5,70	80 FKM 610	49050935	○
189,47	5,33	72 NBR 872	49052469	○
189,55	7,00	72 NBR 872	49052470	○
189,61	5,00	72 NBR 872	49052471	○
189,72	3,53	72 NBR 872	49052472	○
189,84	5,33	88 NBR 156	49049368	○
189,87	5,33	70 EPDM 281	49053941	○
189,87	5,33	72 NBR 872	14452182	●
189,87	5,33	80 FKM 610	49050936	○
189,87	6,99	72 NBR 872	14452183	●
189,87	6,99	80 FKM 610	49050937	○
189,92	7,00	88 NBR 156	49049369	○
190,00	3,00	72 NBR 872	446453	●
190,00	3,00	80 FKM 610	49050938	○
190,00	5,00	72 NBR 872	445572	●
190,00	5,00	80 FKM 610	49050939	○
190,00	6,00	80 FKM 610	49050940	○
190,00	7,00	72 NBR 872	49001023	●
190,00	10,00	72 NBR 872	14452184	●
190,09	3,53	70 EPDM 281	327466	●
190,09	3,53	72 NBR 872	49052473	○
190,09	3,53	80 FKM 610	49050941	○
190,09	3,53	88 NBR 156	49049370	○
190,17	2,62	70 EPDM 281	49053942	○
190,17	2,62	72 NBR 872	49052474	○
190,17	2,62	80 FKM 610	49050942	○
191,59	3,51	72 NBR 872	49052475	○
191,59	4,00	72 NBR 872	49052476	○
191,59	8,00	72 NBR 872	49052477	○

d ₁	d ₂	Material	Article No.	
191,62	3,00	72 NBR 872	49052478	○
191,96	4,00	88 NBR 156	49049371	○
192,00	3,00	70 EPDM 281	447907	●
192,00	3,00	72 NBR 872	446454	●
192,00	3,00	80 FKM 610	49050943	○
192,00	4,00	72 NBR 872	444725	●
192,00	4,00	80 FKM 610	49050944	○
192,00	5,33	70 EPDM 281	49053943	○
192,00	5,33	72 NBR 872	49052479	○
192,00	5,33	80 FKM 610	49050945	○
193,00	6,00	72 NBR 872	447908	●
193,00	6,00	80 FKM 610	49050946	○
193,68	6,99	70 EPDM 281	448521	●
193,70	6,99	72 NBR 872	14452185	●
193,70	6,99	80 FKM 610	49050947	○
193,80	5,69	72 NBR 872	49052480	○
194,00	2,50	80 FKM 610	49050948	○
194,00	3,00	80 FKM 610	49050949	○
194,20	5,70	72 NBR 872	444726	●
194,20	5,70	80 FKM 610	49050950	○
194,20	5,70	88 NBR 156	49047318	○
194,50	3,50	80 FKM 610	49050951	○
194,62	3,51	72 NBR 872	49052481	○
195,00	3,50	72 NBR 872	447418	●
195,00	3,51	88 NBR 156	49049372	○
195,00	4,00	72 NBR 872	14452186	●
195,00	4,00	80 FKM 610	49050952	○
195,00	5,00	72 NBR 872	445511	●
195,00	5,00	80 FKM 610	449662	●
195,04	5,33	70 EPDM 281	49053944	○
195,60	12,00	72 NBR 872	49052482	○
195,80	5,33	72 NBR 872	49052483	○
195,81	7,00	72 NBR 872	49052484	○
196,19	5,33	88 NBR 156	49049373	○
196,20	7,00	88 NBR 156	49049374	○
196,22	5,33	70 EPDM 281	447909	●
196,22	5,33	72 NBR 872	49047552	○
196,22	5,33	80 FKM 610	49050953	○
196,22	6,99	80 FKM 610	49050954	○
196,44	3,53	70 EPDM 281	49053945	○
196,44	3,53	72 NBR 872	49052485	○
196,44	3,53	80 FKM 610	49050955	○
196,52	2,62	70 EPDM 281	49053946	○
196,52	2,62	72 NBR 872	14452187	●
196,52	2,62	80 FKM 610	49050956	○
196,58	3,51	72 NBR 872	49052486	○
197,59	3,00	72 NBR 872	49052487	○
198,79	5,69	72 NBR 872	49052488	○
199,20	5,70	72 NBR 872	445703	●

● Available from stock

○ On request: Tool is available, delivery at short notice



d ₁	d ₂	Material	Article No.	
199,20	5,70	80 FKM 610	49050957	○
199,30	5,70	72 NBR 872	14452188	●
199,30	5,70	80 FKM 610	49050958	○
199,57	5,98	72 NBR 872	49052489	○
199,59	4,00	72 NBR 872	49052490	○
199,59	5,00	72 NBR 872	49052491	○
199,92	3,00	88 NBR 156	49049375	○
199,96	5,98	88 NBR 156	49049376	○
200,00	2,50	72 NBR 872	14452189	●
200,00	2,50	80 FKM 610	49050959	○
200,00	3,00	72 NBR 872	446168	●
200,00	3,00	80 FKM 610	49050960	○
200,00	4,00	72 NBR 872	49047350	○
200,00	4,00	80 FKM 610	49050961	○
200,00	4,50	72 NBR 872	14452190	●
200,00	4,50	80 FKM 610	49050962	○
200,00	5,00	70 EPDM 281	448800	●
200,00	5,00	72 NBR 872	444724	●
200,00	5,00	80 FKM 610	49050963	○
200,00	6,00	72 NBR 872	49046327	●
200,00	6,99	80 FKM 610	49050964	○
200,00	10,00	70 EPDM 281	49047763	○
200,00	10,00	72 NBR 872	447854	●
200,03	6,99	70 EPDM 281	447910	●
201,60	2,00	70 EPDM 281	49053947	○
202,00	5,50	72 NBR 872	447250	●
202,00	5,50	80 FKM 610	49050965	○
202,07	5,33	70 EPDM 281	49053948	○
202,09	7,00	70 EPDM 281	49053949	○
202,33	3,53	70 EPDM 281	49053950	○
202,47	5,33	72 NBR 872	49052492	○
202,47	5,33	88 NBR 156	49049377	○
202,49	6,99	72 NBR 872	49052493	○
202,51	5,33	70 EPDM 281	49053951	○
202,51	5,33	72 NBR 872	49052494	○
202,51	5,33	80 FKM 610	49050966	○
202,56	3,00	70 EPDM 281	49053952	○
202,57	6,99	72 NBR 872	14452191	●
202,57	6,99	80 FKM 610	49050967	○
202,73	3,53	72 NBR 872	49052495	○
202,73	3,53	88 NBR 156	49049378	○
202,79	3,53	70 EPDM 281	49047868	○
202,79	3,53	72 NBR 872	14452192	●
202,79	3,53	80 FKM 610	49050968	○
202,87	2,62	70 EPDM 281	49053953	○
202,87	2,62	72 NBR 872	14452193	●
202,87	2,62	80 FKM 610	49050969	○
202,96	3,00	72 NBR 872	49052496	○
203,00	3,00	72 NBR 872	446107	●
203,00	3,00	80 FKM 610	49050970	○
204,56	5,01	70 EPDM 281	49053954	○

d ₁	d ₂	Material	Article No.	
204,96	5,00	72 NBR 872	49052497	○
205,00	3,00	72 NBR 872	14452194	●
205,00	3,00	80 FKM 610	49050971	○
205,00	4,00	72 NBR 872	14452195	●
205,00	4,00	80 FKM 610	49050972	○
205,00	5,00	70 EPDM 281	447911	●
205,00	5,00	72 NBR 872	446590	●
205,00	5,00	80 FKM 610	49047642	○
205,50	5,00	80 FKM 610	49050973	○
206,40	3,53	70 EPDM 281	49053955	○
206,40	3,53	72 NBR 872	49052498	○
206,58	3,39	70 EPDM 281	49053956	○
206,98	3,39	72 NBR 872	49052499	○
207,53	4,00	70 EPDM 281	49053957	○
207,55	3,00	70 EPDM 281	49053958	○
207,94	4,00	72 NBR 872	49052500	○
207,94	8,00	72 NBR 872	49052501	○
207,96	3,00	72 NBR 872	49052502	○
208,80	2,62	70 EPDM 281	49053959	○
208,90	6,99	80 FKM 610	49050974	○
208,92	5,33	70 EPDM 281	49053960	○
208,92	5,33	72 NBR 872	49052503	○
208,92	5,33	80 FKM 610	49050975	○
208,92	6,99	80 FKM 610	49050976	○
209,14	3,53	70 EPDM 281	49053961	○
209,14	3,53	72 NBR 872	14452196	●
209,14	3,53	80 FKM 610	49050977	○
209,20	2,62	70 EPDM 281	49053962	○
209,20	2,62	72 NBR 872	49052504	○
209,20	2,62	80 FKM 610	49050978	○
209,20	5,70	72 NBR 872	445696	●
209,20	5,70	80 FKM 610	49050979	○
209,20	5,70	88 NBR 156	49047327	○
209,21	2,62	88 NBR 156	49049379	○
209,22	2,62	70 EPDM 281	327457	●
209,53	5,33	70 EPDM 281	49053963	○
209,55	5,01	70 EPDM 281	49053964	○
209,57	4,00	70 EPDM 281	49053965	○
209,61	3,00	70 EPDM 281	49053966	○
209,94	5,33	72 NBR 872	49052505	○
209,94	5,33	88 NBR 156	49049380	○
209,96	5,00	72 NBR 872	49052506	○
209,96	5,01	88 NBR 156	49049381	○
209,98	4,00	72 NBR 872	49052507	○
210,00	3,00	72 NBR 872	445693	●
210,00	3,00	80 FKM 610	49050980	○
210,00	3,50	72 NBR 872	49047260	○
210,00	4,00	72 NBR 872	444711	●
210,00	4,00	80 FKM 610	49050981	○

● Available from stock

○ On request: Tool is available, delivery at short notice



d ₁	d ₂	Material	Article No.	
210,00	5,00	72 NBR 872	445644	●
210,00	5,00	80 FKM 610	449664	●
210,00	7,00	70 EPDM 281	49053967	○
210,00	7,00	72 NBR 872	14452197	●
210,00	7,00	80 FKM 610	49050982	○
210,02	3,00	72 NBR 872	49052508	○
210,50	2,40	80 FKM 610	49050983	○
210,96	12,00	72 NBR 872	49052509	○
211,62	3,53	70 EPDM 281	49053968	○
211,62	3,53	72 NBR 872	49052510	○
212,56	2,49	70 EPDM 281	49053969	○
212,98	2,50	72 NBR 872	49052511	○
214,00	2,50	80 FKM 610	49050984	○
214,45	5,28	88 NBR 156	49049382	○
214,54	5,30	70 EPDM 281	49053970	○
214,60	3,00	70 EPDM 281	49053971	○
214,81	5,33	70 EPDM 281	49053972	○
214,96	5,30	72 NBR 872	49052512	○
215,00	3,00	72 NBR 872	14452198	●
215,00	3,00	80 FKM 610	49050985	○
215,00	5,00	72 NBR 872	14452199	●
215,00	5,00	80 FKM 610	49050986	○
215,00	7,00	72 NBR 872	49047261	○
215,02	3,00	72 NBR 872	49052513	○
215,22	7,00	72 NBR 872	49052514	○
215,22	7,00	88 NBR 156	49049383	○
215,24	5,33	72 NBR 872	49052515	○
215,24	5,33	88 NBR 156	49049384	○
215,27	5,33	70 EPDM 281	49053973	○
215,27	5,33	72 NBR 872	14452200	●
215,27	5,33	80 FKM 610	49050987	○
215,27	6,99	70 EPDM 281	447912	●
215,27	6,99	80 FKM 610	49050988	○
215,50	3,53	70 EPDM 281	49053974	○
215,50	3,53	72 NBR 872	49052516	○
215,50	3,53	80 FKM 610	49050989	○
215,57	2,62	70 EPDM 281	49053975	○
215,57	2,62	72 NBR 872	49052517	○
215,57	2,62	80 FKM 610	49050990	○
216,00	2,00	80 FKM 610	49050991	○
216,00	4,00	72 NBR 872	14452201	●
216,00	4,00	80 FKM 610	49050992	○
216,09	2,00	70 EPDM 281	49053976	○
216,52	4,99	70 EPDM 281	49053977	○
216,94	4,99	88 NBR 156	49049385	○
216,94	5,00	72 NBR 872	49052518	○
217,00	5,00	72 NBR 872	49047262	○
217,00	5,00	80 FKM 610	449665	●
217,57	5,79	70 EPDM 281	49053978	○
218,00	5,80	72 NBR 872	49047263	○
218,00	5,80	80 FKM 610	449666	●

d ₁	d ₂	Material	Article No.	
218,08	4,50	70 EPDM 281	49053979	○
218,50	4,50	72 NBR 872	448210	●
218,50	4,50	80 FKM 610	49050993	○
218,51	3,00	70 EPDM 281	49053980	○
218,51	4,50	72 NBR 872	49052519	○
218,85	5,69	70 EPDM 281	49053981	○
218,94	3,00	72 NBR 872	49052520	○
219,27	5,69	72 NBR 872	49052521	○
219,30	5,70	88 NBR 156	49047328	○
219,55	4,99	70 EPDM 281	49053982	○
219,93	12,00	72 NBR 872	49052522	○
219,98	5,00	72 NBR 872	49052523	○
220,00	5,00	72 NBR 872	14452202	●
220,00	5,00	80 FKM 610	49050994	○
221,00	5,69	70 EPDM 281	49053983	○
221,00	6,99	80 FKM 610	49050995	○
221,39	3,53	70 EPDM 281	49053984	○
221,43	5,69	72 NBR 872	49052524	○
221,50	5,70	72 NBR 872	49047264	○
221,57	7,00	72 NBR 872	49052525	○
221,57	7,00	88 NBR 156	49049386	○
221,62	5,33	70 EPDM 281	49053985	○
221,62	5,33	72 NBR 872	49052526	○
221,62	5,33	80 FKM 610	49050996	○
221,82	3,53	72 NBR 872	49052527	○
221,82	3,53	88 NBR 156	49049387	○
221,84	3,53	70 EPDM 281	327453	●
221,84	3,53	80 FKM 610	49050997	○
221,92	2,62	70 EPDM 281	49053986	○
221,92	2,62	72 NBR 872	49052528	○
221,92	2,62	80 FKM 610	49050998	○
222,54	2,49	70 EPDM 281	49053987	○
222,98	2,50	72 NBR 872	49052529	○
223,09	4,09	70 EPDM 281	49053988	○
223,48	3,80	70 EPDM 281	49053989	○
223,53	4,09	72 NBR 872	49052530	○
223,92	3,80	72 NBR 872	49052531	○
223,92	3,80	88 NBR 156	49049388	○
224,00	3,00	72 NBR 872	14452203	●
224,00	3,00	80 FKM 610	49050999	○
224,00	3,80	72 NBR 872	5755	●
224,00	6,30	72 NBR 872	49047927	○
224,52	5,01	70 EPDM 281	49053990	○
224,90	15,00	72 NBR 872	49052532	○
224,94	10,00	72 NBR 872	49052533	○
224,96	5,00	72 NBR 872	49052534	○
224,96	5,01	88 NBR 156	49049389	○
225,00	5,00	72 NBR 872	444739	●
225,00	5,00	80 FKM 610	49051000	○

● Available from stock

○ On request: Tool is available, delivery at short notice



d ₁	d ₂	Material	Article No.	
225,00	10,00	70 EPDM 281	49047368	○
225,00	15,00	70 EPDM 281	49047369	○
227,57	6,97	70 EPDM 281	49053991	○
227,97	6,99	70 EPDM 281	448875	●
227,97	6,99	80 FKM 610	49051001	○
228,00	4,00	72 NBR 872	446412	●
228,00	4,00	80 FKM 610	49047795	○
228,19	3,53	70 EPDM 281	327451	●
228,20	3,53	70 EPDM 281	49053992	○
228,20	3,53	72 NBR 872	49052535	○
228,20	3,53	80 FKM 610	49051002	○
228,27	2,62	70 EPDM 281	49053993	○
228,27	2,62	72 NBR 872	49052536	○
228,27	2,62	80 FKM 610	49051003	○
228,83	5,69	70 EPDM 281	49053994	○
229,20	5,70	80 FKM 610	49051004	○
229,27	5,69	72 NBR 872	49052537	○
229,30	5,70	80 FKM 610	49051005	○
229,30	5,70	88 NBR 156	60350	●
229,51	5,01	70 EPDM 281	49053995	○
229,57	3,00	70 EPDM 281	49053996	○
229,96	5,00	72 NBR 872	49052538	○
230,00	3,00	72 NBR 872	49047693	○
230,00	3,50	72 NBR 872	14452204	●
230,00	3,50	80 FKM 610	49051006	○
230,00	5,00	70 EPDM 281	49047874	○
230,00	5,00	72 NBR 872	444687	●
230,00	5,00	80 FKM 610	49047808	○
230,78	3,51	72 NBR 872	49052539	○
232,50	3,00	70 EPDM 281	49053997	○
232,52	2,49	70 EPDM 281	49053998	○
232,96	3,00	72 NBR 872	49052540	○
232,98	2,50	72 NBR 872	49052541	○
233,00	3,00	72 NBR 872	444747	●
233,00	3,00	80 FKM 610	49047815	○
233,78	5,33	70 EPDM 281	49053999	○
234,00	2,00	72 NBR 872	49047806	○
234,00	2,00	80 FKM 610	49051007	○
234,24	5,33	72 NBR 872	49052542	○
234,24	5,33	88 NBR 156	49049390	○
234,30	6,99	70 EPDM 281	447874	●
234,30	6,99	80 FKM 610	49051008	○
234,31	5,33	70 EPDM 281	448551	●
234,33	5,33	70 EPDM 281	49054000	○
234,33	5,33	72 NBR 872	49052543	○
234,33	5,33	80 FKM 610	49051009	○
234,48	2,00	70 EPDM 281	49054001	○
234,50	5,01	70 EPDM 281	49054002	○
234,54	3,53	70 EPDM 281	49054003	○
234,54	3,53	72 NBR 872	49052544	○
234,54	3,53	80 FKM 610	49051010	○

d ₁	d ₂	Material	Article No.	
234,56	3,00	70 EPDM 281	49054004	○
234,62	2,62	70 EPDM 281	49054005	○
234,62	2,62	72 NBR 872	49052545	○
234,62	2,62	80 FKM 610	49051011	○
234,96	5,00	72 NBR 872	49052546	○
235,00	6,99	80 FKM 610	49051012	○
235,00	10,00	70 EPDM 281	49047367	○
235,02	3,00	72 NBR 872	49052547	○
235,52	4,00	70 EPDM 281	49054006	○
235,54	2,62	70 EPDM 281	49054007	○
235,98	4,00	72 NBR 872	49052548	○
236,00	2,62	72 NBR 872	49052549	○
236,00	2,62	88 NBR 156	49049391	○
236,00	7,00	70 EPDM 281	49054008	○
236,00	7,00	72 NBR 872	14452205	●
236,00	7,00	80 FKM 610	49051013	○
236,00	7,00	88 NBR 156	49049392	○
236,52	3,00	70 EPDM 281	49054009	○
236,98	3,00	72 NBR 872	49052550	○
237,51	6,00	70 EPDM 281	49054010	○
237,53	5,01	70 EPDM 281	49054011	○
237,98	6,00	72 NBR 872	49052551	○
238,00	5,00	72 NBR 872	446506	●
238,00	5,00	72 NBR 872	49052552	○
238,00	5,00	80 FKM 610	49051014	○
238,81	5,69	70 EPDM 281	49054012	○
239,27	5,69	72 NBR 872	49052553	○
239,27	5,69	88 NBR 156	49049393	○
239,30	5,70	72 NBR 872	445464	●
239,30	5,70	88 NBR 156	60351	●
239,51	4,00	70 EPDM 281	49054013	○
239,55	3,00	70 EPDM 281	49054014	○
239,73	3,53	70 EPDM 281	49054015	○
239,90	12,00	72 NBR 872	49052554	○
239,94	10,00	72 NBR 872	49052555	○
239,98	4,00	72 NBR 872	49052556	○
240,00	2,00	72 NBR 872	14452255	●
240,00	2,00	80 FKM 610	49051015	○
240,00	3,00	72 NBR 872	445571	●
240,00	3,00	80 FKM 610	49051016	○
240,00	4,00	70 EPDM 281	49047920	○
240,00	4,00	72 NBR 872	14452206	●
240,00	4,00	80 FKM 610	49051017	○
240,00	5,00	72 NBR 872	14452207	●
240,00	5,00	80 FKM 610	49051018	○
240,02	3,00	72 NBR 872	49052557	○
240,02	3,00	88 NBR 156	49049394	○
240,20	3,53	72 NBR 872	49052558	○
240,20	3,53	88 NBR 156	49049395	○

● Available from stock

○ On request: Tool is available, delivery at short notice



d ₁	d ₂	Material	Article No.	
240,61	7,00	72 NBR 872	49052559	○
240,61	7,00	88 NBR 156	49049396	○
240,67	6,99	70 EPDM 281	327448	●
240,67	6,99	80 FKM 610	49051019	○
240,90	3,53	70 EPDM 281	49054016	○
240,90	3,53	72 NBR 872	49052560	○
240,90	3,53	80 FKM 610	49051020	○
240,97	2,62	70 EPDM 281	49054017	○
240,97	2,62	72 NBR 872	49052561	○
240,97	2,62	80 FKM 610	49051021	○
241,55	5,98	70 EPDM 281	49054018	○
242,00	6,00	72 NBR 872	445468	●
242,00	6,00	80 FKM 610	49051022	○
242,02	5,98	72 NBR 872	49052562	○
242,02	5,98	88 NBR 156	49049397	○
242,50	2,00	70 EPDM 281	49054019	○
243,46	3,00	70 EPDM 281	49054020	○
243,94	3,00	72 NBR 872	49052563	○
244,49	4,99	70 EPDM 281	49054021	○
244,97	5,00	72 NBR 872	49052564	○
245,00	3,00	72 NBR 872	14452208	●
245,00	3,00	80 FKM 610	49051023	○
245,00	5,00	72 NBR 872	445577	●
245,00	5,00	80 FKM 610	49047809	○
245,44	6,00	70 EPDM 281	49054022	○
245,92	6,00	72 NBR 872	49052565	○
246,75	3,53	70 EPDM 281	49054023	○
247,00	6,99	80 FKM 610	49051024	○
247,02	5,33	70 EPDM 281	49054024	○
247,02	5,33	72 NBR 872	14452209	●
247,02	5,33	80 FKM 610	49051025	○
247,24	3,53	70 EPDM 281	446586	●
247,24	3,53	72 NBR 872	49052566	○
247,24	3,53	80 FKM 610	49051026	○
247,24	3,53	88 NBR 156	49049398	○
247,32	2,62	70 EPDM 281	49054025	○
247,32	2,62	72 NBR 872	49052567	○
247,32	2,62	80 FKM 610	49051027	○
247,76	7,00	72 NBR 872	49052568	○
247,76	7,00	88 NBR 156	49049399	○
247,80	7,00	70 EPDM 281	49047703	○
248,00	5,00	72 NBR 872	444740	●
248,00	5,00	80 FKM 610	49051028	○
248,16	7,21	72 NBR 872	49052569	○
249,30	5,70	88 NBR 156	60352	●
249,33	2,62	70 EPDM 281	49054026	○
249,41	4,00	70 EPDM 281	49054027	○
249,82	2,62	72 NBR 872	49052570	○
249,82	2,62	88 NBR 156	49049400	○
249,90	4,00	72 NBR 872	49052571	○
249,90	4,00	88 NBR 156	49049401	○

d ₁	d ₂	Material	Article No.	
249,92	7,00	72 NBR 872	49052572	○
249,92	7,00	88 NBR 156	49049402	○
249,92	12,00	72 NBR 872	49052573	○
249,95	8,00	72 NBR 872	49052574	○
250,00	3,00	72 NBR 872	444746	●
250,00	3,00	80 FKM 610	49051029	○
250,00	4,00	72 NBR 872	445940	●
250,00	4,00	80 FKM 610	49051030	○
250,00	5,60	80 FKM 610	49051031	○
250,00	8,00	80 FKM 610	449667	●
250,00	10,00	70 EPDM 281	49047719	○
250,00	10,00	72 NBR 872	5857	●
251,47	4,00	70 EPDM 281	49054028	○
251,96	4,00	72 NBR 872	49052575	○
251,96	4,00	88 NBR 156	49049403	○
252,50	5,59	70 EPDM 281	49054029	○
253,00	5,60	72 NBR 872	49047404	○
253,01	3,53	70 EPDM 281	49054030	○
253,35	7,00	72 NBR 872	49052576	○
253,35	7,00	88 NBR 156	49049404	○
253,37	5,33	70 EPDM 281	49054031	○
253,37	5,33	72 NBR 872	14452210	●
253,37	5,33	80 FKM 610	49051032	○
253,37	6,99	70 EPDM 281	447915	●
253,37	6,99	80 FKM 610	49051033	○
253,51	3,53	72 NBR 872	49052577	○
253,51	3,53	88 NBR 156	49049405	○
253,60	3,53	70 EPDM 281	49054032	○
253,60	3,53	72 NBR 872	49052578	○
253,60	3,53	80 FKM 610	49051034	○
254,10	8,42	72 NBR 872	49052579	○
254,46	5,01	70 EPDM 281	49054033	○
254,50	4,00	70 EPDM 281	49054034	○
254,92	7,00	72 NBR 872	49052580	○
254,92	7,00	88 NBR 156	49049406	○
255,00	4,00	72 NBR 872	445685	●
255,00	4,00	80 FKM 610	49051035	○
255,00	4,00	88 NBR 156	49049407	○
255,00	4,97	88 NBR 156	49049408	○
255,00	5,00	72 NBR 872	446589	●
255,00	5,00	80 FKM 610	49051036	○
257,48	5,33	70 EPDM 281	49054035	○
257,89	3,55	70 EPDM 281	49054036	○
257,98	5,33	72 NBR 872	49052581	○
257,98	5,33	88 NBR 156	49049409	○
258,00	5,30	80 FKM 610	49051037	○
258,39	3,55	72 NBR 872	49052582	○
258,77	5,69	70 EPDM 281	49054037	○
259,27	5,69	72 NBR 872	49052583	○

● Available from stock

○ On request: Tool is available, delivery at short notice



d ₁	d ₂	Material	Article No.	
259,30	5,70	80 FKM 610	49051038	○
259,30	5,70	88 NBR 156	60353	●
259,43	5,33	70 EPDM 281	49054038	○
259,47	4,99	70 EPDM 281	49054039	○
259,70	6,99	72 NBR 872	14452211	●
259,70	6,99	80 FKM 610	49051039	○
259,94	5,33	72 NBR 872	49052584	○
259,94	5,33	88 NBR 156	49049410	○
259,98	5,00	72 NBR 872	49052585	○
260,00	5,00	70 EPDM 281	49047883	○
260,00	5,00	72 NBR 872	445537	●
260,00	5,00	80 FKM 610	49051040	○
260,00	8,00	72 NBR 872	445715	●
260,00	8,00	72 NBR 872	49052586	○
261,45	4,00	70 EPDM 281	49054040	○
261,96	4,00	72 NBR 872	49052587	○
262,29	2,40	72 NBR 872	49052588	○
262,50	6,00	80 FKM 610	49051041	○
262,60	3,53	70 EPDM 281	49054041	○
263,00	2,00	80 FKM 610	49051042	○
263,12	3,53	72 NBR 872	49052589	○
263,12	3,53	88 NBR 156	49049411	○
263,42	3,00	70 EPDM 281	49054042	○
263,94	3,00	72 NBR 872	49052590	○
264,17	3,53	70 EPDM 281	49054043	○
264,46	4,99	70 EPDM 281	49054044	○
264,48	4,00	70 EPDM 281	49054045	○
264,48	4,39	70 EPDM 281	49054046	○
264,69	3,53	72 NBR 872	49052591	○
264,69	3,53	88 NBR 156	49049412	○
264,78	2,46	72 NBR 872	49052592	○
264,98	5,00	72 NBR 872	49052593	○
265,00	4,00	72 NBR 872	49047265	○
265,00	4,00	88 NBR 156	49049413	○
265,00	4,39	72 NBR 872	49052594	○
265,00	5,00	72 NBR 872	446716	●
265,00	5,00	80 FKM 610	49051043	○
265,94	12,73	72 NBR 872	49052595	○
266,07	5,33	70 EPDM 281	49054047	○
266,07	5,33	72 NBR 872	14450373	●
266,07	5,33	80 FKM 610	49051044	○
266,07	6,99	80 FKM 610	49051045	○
266,09	2,00	70 EPDM 281	49054048	○
267,00	2,00	80 FKM 610	49051046	○
267,85	7,00	70 EPDM 281	49054049	○
268,20	3,70	70 EPDM 281	49054050	○
268,37	6,99	72 NBR 872	49052596	○
268,73	3,70	72 NBR 872	49052597	○
269,30	5,70	88 NBR 156	63441	●
269,43	5,98	70 EPDM 281	49054051	○
269,93	12,00	72 NBR 872	49052598	○

d ₁	d ₂	Material	Article No.	
269,96	5,98	72 NBR 872	49052599	○
270,00	4,68	72 NBR 872	49052600	○
270,00	5,00	70 EPDM 281	49047704	○
270,00	5,00	72 NBR 872	14452212	●
270,00	5,00	80 FKM 610	49051047	○
270,00	6,00	72 NBR 872	446111	●
270,00	6,00	80 FKM 610	449659	●
271,00	3,00	80 FKM 610	49051048	○
271,96	8,00	72 NBR 872	49052601	○
272,37	7,00	72 NBR 872	49052602	○
272,37	7,00	88 NBR 156	49049414	○
272,40	6,99	72 NBR 872	14452213	●
272,40	6,99	80 FKM 610	49051049	○
273,95	3,53	70 EPDM 281	49054052	○
274,00	6,50	72 NBR 872	5951	●
274,44	4,99	70 EPDM 281	49054053	○
274,46	4,00	70 EPDM 281	49054054	○
274,49	3,53	72 NBR 872	49052603	○
274,49	3,53	88 NBR 156	49049415	○
274,98	5,00	72 NBR 872	49052604	○
275,00	4,00	72 NBR 872	49052605	○
275,00	5,00	72 NBR 872	14452214	●
275,00	5,00	80 FKM 610	49051050	○
277,00	2,50	80 FKM 610	49051051	○
277,69	3,80	70 EPDM 281	49054055	○
277,92	5,33	70 EPDM 281	49054056	○
278,24	3,80	72 NBR 872	49052606	○
278,24	3,80	88 NBR 156	49049416	○
278,45	3,53	70 EPDM 281	49054057	○
278,46	5,33	72 NBR 872	49052607	○
278,46	5,33	88 NBR 156	49049417	○
278,75	7,00	72 NBR 872	49052608	○
278,75	7,00	88 NBR 156	49049418	○
278,77	5,33	70 EPDM 281	49054058	○
278,77	5,33	72 NBR 872	49052609	○
278,77	5,33	80 FKM 610	49051052	○
278,77	6,99	72 NBR 872	14452215	●
278,77	6,99	80 FKM 610	49051053	○
278,99	3,53	70 EPDM 281	49047485	○
278,99	3,53	72 NBR 872	49047955	○
278,99	3,53	80 FKM 610	49051054	○
279,00	3,53	88 NBR 156	49049419	○
279,00	4,00	72 NBR 872	49047939	○
279,10	8,42	72 NBR 872	49052610	○
279,43	4,99	70 EPDM 281	49054059	○
279,45	4,00	70 EPDM 281	49054060	○
279,94	10,00	72 NBR 872	49052611	○
279,95	8,00	72 NBR 872	49052612	○
279,98	5,00	72 NBR 872	49052613	○

● Available from stock

○ On request: Tool is available, delivery at short notice

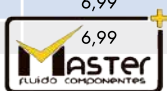


d ₁	d ₂	Material	Article No.	
280,00	3,00	72 NBR 872	445695	●
280,00	3,00	80 FKM 610	49051055	○
280,00	4,00	80 FKM 610	49051056	○
280,00	5,00	72 NBR 872	444797	●
280,00	5,00	80 FKM 610	49051057	○
280,00	8,00	72 NBR 872	447863	●
280,00	10,00	72 NBR 872	446556	●
281,59	3,53	70 EPDM 281	49054061	○
281,84	7,00	70 EPDM 281	49054062	○
282,14	3,53	72 NBR 872	49052614	○
282,14	3,53	88 NBR 156	49049420	○
282,39	6,99	72 NBR 872	49052615	○
282,94	12,00	72 NBR 872	49052616	○
283,00	12,00	72 NBR 872	49047471	○
285,00	4,00	72 NBR 872	49047279	○
285,00	4,00	80 FKM 610	49051058	○
285,00	5,00	80 FKM 610	49051059	○
285,00	6,99	80 FKM 610	49051060	○
286,02	2,40	72 NBR 872	49052617	○
286,86	15,00	72 NBR 872	49052618	○
287,46	4,99	70 EPDM 281	49054063	○
288,00	6,00	80 FKM 610	49051061	○
288,02	5,00	72 NBR 872	49052619	○
288,71	5,69	70 EPDM 281	49054064	○
289,27	5,69	72 NBR 872	49052620	○
289,30	5,70	88 NBR 156	60354	●
289,32	4,99	70 EPDM 281	49054065	○
289,37	6,00	70 EPDM 281	49054066	○
289,45	3,00	70 EPDM 281	49054067	○
289,88	5,00	72 NBR 872	49052621	○
289,94	6,00	72 NBR 872	49052622	○
290,00	3,00	72 NBR 872	445691	●
290,00	3,00	80 FKM 610	49051062	○
290,00	5,00	72 NBR 872	444741	●
290,00	5,00	80 FKM 610	49051063	○
290,00	8,00	72 NBR 872	445473	●
290,00	8,00	72 NBR 872	49052623	○
290,02	3,00	72 NBR 872	49052624	○
290,35	6,00	70 EPDM 281	49054068	○
290,84	7,00	70 EPDM 281	49054069	○
290,92	6,00	72 NBR 872	49052625	○
291,00	1,50	80 FKM 610	49051064	○
291,37	3,53	70 EPDM 281	49054070	○
291,40	5,33	70 EPDM 281	49054071	○
291,40	5,33	72 NBR 872	49052626	○
291,40	5,33	80 FKM 610	49051065	○
291,41	6,99	72 NBR 872	49052627	○
291,43	2,49	70 EPDM 281	49054072	○
291,47	5,33	72 NBR 872	49047553	○
291,47	6,99	72 NBR 872	14452216	●
291,47	6,99	80 FKM 610	49051066	○

d ₁	d ₂	Material	Article No.	
291,69	3,53	70 EPDM 281	49054073	○
291,69	3,53	72 NBR 872	49052628	○
291,69	3,53	80 FKM 610	49051067	○
291,94	3,53	72 NBR 872	49052629	○
291,94	3,53	88 NBR 156	49049421	○
292,00	2,50	72 NBR 872	49052630	○
293,37	3,00	70 EPDM 281	49054074	○
293,75	2,70	80 FKM 610	49051068	○
293,94	3,00	72 NBR 872	49052631	○
294,36	6,00	70 EPDM 281	49054075	○
294,40	4,99	70 EPDM 281	49054076	○
294,94	6,00	72 NBR 872	49052632	○
294,98	5,00	72 NBR 872	49052633	○
295,00	1,50	80 FKM 610	49051069	○
295,00	5,00	80 FKM 610	49051070	○
295,01	1,50	80 FKM 610	49051071	○
296,96	4,00	72 NBR 872	49052634	○
297,00	4,00	72 NBR 872	445469	●
297,00	4,00	80 FKM 610	49051072	○
297,00	11,00	72 NBR 872	49047713	○
297,80	6,99	80 FKM 610	49051073	○
298,40	1,50	70 EPDM 281	49054077	○
298,98	1,50	72 NBR 872	49052635	○
299,09	3,00	70 EPDM 281	49054078	○
299,20	2,55	70 EPDM 281	49054079	○
299,30	5,70	80 FKM 610	49051074	○
299,41	9,98	70 EPDM 281	49054080	○
299,68	3,00	72 NBR 872	49052636	○
299,78	2,55	72 NBR 872	49052637	○
299,96	3,55	70 EPDM 281	49054081	○
300,00	5,00	72 NBR 872	14452217	●
300,00	5,00	80 FKM 610	49051075	○
300,00	9,96	72 NBR 872	49052638	○
300,00	10,00	70 EPDM 281	49047406	○
300,00	10,00	72 NBR 872	445466	●
300,37	2,55	88 NBR 156	49049422	○
300,55	3,55	72 NBR 872	49052639	○
301,14	3,55	88 NBR 156	49049423	○
303,35	3,00	70 EPDM 281	49054082	○
303,66	2,49	70 EPDM 281	49054083	○
303,94	3,00	72 NBR 872	49052640	○
304,14	7,00	72 NBR 872	49052641	○
304,17	6,99	80 FKM 610	49051076	○
304,17	6,99	88 NBR 156	63636	●
304,20	5,33	70 EPDM 281	49054084	○
304,20	5,33	72 NBR 872	49052642	○
304,20	5,33	80 FKM 610	49051077	○
304,25	2,50	72 NBR 872	49052643	○
304,38	4,99	70 EPDM 281	49054085	○

● Available from stock

○ On request: Tool is available, delivery at short notice



d ₁	d ₂	Material	Article No.	
304,54	3,00	88 NBR 156	49049424	○
304,73	7,00	88 NBR 156	49049425	○
304,85	2,50	88 NBR 156	49049426	○
305,00	5,00	72 NBR 872	49047266	○
305,00	5,00	80 FKM 610	449668	●
305,00	6,00	72 NBR 872	14452218	●
305,00	6,00	80 FKM 610	49051078	○
305,58	4,99	88 NBR 156	49049427	○
308,34	2,90	70 EPDM 281	49054086	○
308,34	3,00	70 EPDM 281	49054087	○
308,94	2,90	72 NBR 872	49052644	○
308,94	3,00	72 NBR 872	49052645	○
309,39	4,00	70 EPDM 281	49054088	○
309,39	6,00	70 EPDM 281	49054089	○
309,41	3,00	70 EPDM 281	49054090	○
309,55	2,90	88 NBR 156	49049428	○
309,55	3,00	88 NBR 156	49049429	○
309,90	2,62	88 NBR 156	49049430	○
310,00	3,00	72 NBR 872	445719	●
310,00	3,00	80 FKM 610	49051079	○
310,00	4,00	72 NBR 872	49047422	○
310,00	6,00	72 NBR 872	14452219	●
310,00	6,00	80 FKM 610	49051080	○
310,02	3,00	72 NBR 872	49052646	○
310,61	4,00	88 NBR 156	49049431	○
310,61	6,00	88 NBR 156	49049432	○
310,63	3,00	88 NBR 156	49049433	○
313,92	8,00	72 NBR 872	49052647	○
313,95	7,00	70 EPDM 281	49054091	○
313,95	7,00	72 NBR 872	49052648	○
313,95	7,00	80 FKM 610	49051081	○
314,00	8,00	72 NBR 872	446057	●
314,36	4,99	70 EPDM 281	49054092	○
314,38	4,00	70 EPDM 281	49054093	○
314,98	5,00	72 NBR 872	49052649	○
315,00	4,00	72 NBR 872	14452220	●
315,00	4,00	80 FKM 610	49051082	○
315,00	5,00	70 EPDM 281	49047435	○
315,00	5,00	72 NBR 872	49004362	●
315,00	5,33	70 EPDM 281	49054094	○
315,00	5,33	72 NBR 872	49047792	○
315,00	5,33	80 FKM 610	49051083	○
315,00	8,00	70 EPDM 281	49047769	○
315,00	8,00	72 NBR 872	49052650	○
315,19	2,62	70 EPDM 281	49054095	○
315,54	3,53	70 EPDM 281	49054096	○
315,60	4,99	88 NBR 156	49049434	○
315,62	4,00	88 NBR 156	49049435	○
315,62	8,01	88 NBR 156	49049436	○
315,80	2,62	72 NBR 872	49052651	○
316,16	3,53	72 NBR 872	49052652	○

d ₁	d ₂	Material	Article No.	
316,42	2,62	88 NBR 156	49049437	○
316,78	3,53	88 NBR 156	49049438	○
316,87	6,99	72 NBR 872	14452221	●
316,87	6,99	80 FKM 610	49051084	○
318,00	3,51	72 NBR 872	49052653	○
318,62	3,51	88 NBR 156	49049439	○
318,65	5,69	70 EPDM 281	49054097	○
318,94	7,00	72 NBR 872	49052654	○
319,27	5,69	72 NBR 872	49052655	○
319,30	5,70	88 NBR 156	63637	●
319,57	7,00	88 NBR 156	49049440	○
319,71	2,00	70 EPDM 281	49054098	○
319,90	5,69	88 NBR 156	49049441	○
320,00	6,00	80 FKM 610	49051085	○
320,00	7,00	70 EPDM 281	49054099	○
320,00	7,00	72 NBR 872	14452222	●
320,00	7,00	80 FKM 610	49051086	○
320,00	8,00	72 NBR 872	49047267	○
320,63	8,01	88 NBR 156	49049442	○
320,96	2,01	88 NBR 156	49049443	○
322,00	7,00	70 EPDM 281	49054100	○
322,00	7,00	72 NBR 872	49052656	○
322,00	7,00	80 FKM 610	49051087	○
322,96	7,00	72 NBR 872	49052657	○
323,60	7,00	88 NBR 156	49049444	○
323,92	8,00	72 NBR 872	49052658	○
324,00	5,33	70 EPDM 281	49054101	○
324,00	5,33	72 NBR 872	49052659	○
324,00	5,33	80 FKM 610	49051088	○
324,34	4,99	70 EPDM 281	49054102	○
324,56	8,01	88 NBR 156	49049445	○
324,98	5,00	72 NBR 872	49052660	○
325,00	2,62	72 NBR 872	49047762	○
325,00	5,00	70 EPDM 281	49047925	○
325,00	5,00	72 NBR 872	447866	●
325,00	5,00	80 FKM 610	49051089	○
325,00	6,00	80 FKM 610	49051090	○
325,62	4,99	88 NBR 156	49049446	○
328,90	5,33	70 EPDM 281	49054103	○
329,32	5,69	70 EPDM 281	49054104	○
329,32	5,98	70 EPDM 281	49054105	○
329,35	3,75	70 EPDM 281	49054106	○
329,35	4,00	70 EPDM 281	49054107	○
329,43	3,53	70 EPDM 281	49054108	○
329,53	7,00	72 NBR 872	49052661	○
329,55	5,33	72 NBR 872	49052662	○
329,57	5,33	70 EPDM 281	49054109	○
329,57	5,33	72 NBR 872	14452223	●
329,57	5,33	80 FKM 610	49051091	○

● Available from stock

○ On request: Tool is available, delivery at short notice



d ₁	d ₂	Material	Article No.	
329,57	6,99	72 NBR 872	14452224	●
329,57	6,99	80 FKM 610	49051092	○
329,79	3,53	70 EPDM 281	49054110	○
329,79	3,53	72 NBR 872	49052663	○
329,79	3,53	80 FKM 610	49051093	○
329,88	16,00	72 NBR 872	49052664	○
329,96	5,69	72 NBR 872	49052665	○
329,96	5,98	72 NBR 872	49052666	○
330,00	3,00	72 NBR 872	447451	●
330,00	3,00	80 FKM 610	49051094	○
330,00	3,75	72 NBR 872	49052667	○
330,00	4,00	72 NBR 872	49046328	●
330,00	6,00	72 NBR 872	446720	●
330,00	6,00	80 FKM 610	49051095	○
330,08	3,53	72 NBR 872	49052668	○
330,18	7,00	88 NBR 156	49049447	○
330,20	5,33	88 NBR 156	49049448	○
330,61	5,69	88 NBR 156	49049449	○
330,61	5,98	88 NBR 156	49049450	○
330,65	3,75	88 NBR 156	49049451	○
330,65	4,00	88 NBR 156	49049452	○
330,65	5,26	88 NBR 156	49049453	○
330,73	3,53	88 NBR 156	49049454	○
331,49	4,50	70 EPDM 281	49054111	○
332,14	4,50	72 NBR 872	49052669	○
332,79	4,50	88 NBR 156	49049455	○
333,29	3,00	70 EPDM 281	49054112	○
333,94	3,00	72 NBR 872	49052670	○
334,60	3,00	88 NBR 156	49049456	○
335,00	6,00	80 FKM 610	49051096	○
335,95	2,00	70 EPDM 281	49054113	○
337,27	2,01	88 NBR 156	49049457	○
337,71	2,00	70 EPDM 281	49054114	○
338,43	8,00	72 NBR 872	49052671	○
338,61	5,69	70 EPDM 281	49054115	○
339,04	2,01	88 NBR 156	49049458	○
339,10	8,01	88 NBR 156	49049459	○
339,27	5,69	72 NBR 872	49052672	○
339,30	5,70	88 NBR 156	63638	●
339,30	5,98	70 EPDM 281	49054116	○
339,35	3,00	70 EPDM 281	49054117	○
339,94	5,69	88 NBR 156	49049460	○
339,94	10,00	72 NBR 872	49052673	○
339,96	5,98	72 NBR 872	49052674	○
340,00	3,60	80 FKM 610	49051097	○
340,00	4,00	72 NBR 872	14450530	●
340,00	4,00	80 FKM 610	49051098	○
340,00	6,00	72 NBR 872	445702	●
340,00	6,00	80 FKM 610	49051099	○
340,00	10,00	72 NBR 872	49047268	○
340,02	3,00	72 NBR 872	49052675	○

d ₁	d ₂	Material	Article No.	
340,63	5,98	88 NBR 156	49049461	○
340,69	3,00	88 NBR 156	49049462	○
341,53	7,00	70 EPDM 281	49054118	○
341,96	8,00	72 NBR 872	49052676	○
342,00	8,00	72 NBR 872	49047269	○
342,20	6,99	72 NBR 872	49052677	○
342,27	6,99	80 FKM 610	49051100	○
342,63	8,01	88 NBR 156	49049463	○
342,87	6,99	88 NBR 156	49049464	○
342,90	3,53	70 EPDM 281	49054119	○
342,90	3,53	72 NBR 872	49052678	○
342,90	3,53	80 FKM 610	49051101	○
346,00	2,50	72 NBR 872	49047635	○
346,00	2,50	80 FKM 610	49051102	○
348,00	6,00	72 NBR 872	445690	●
348,72	5,95	88 NBR 156	49049465	○
349,28	5,01	70 EPDM 281	49054120	○
349,94	10,00	72 NBR 872	49052679	○
349,96	5,00	72 NBR 872	49052680	○
350,00	3,00	80 FKM 610	49051103	○
350,00	5,00	70 EPDM 281	49047876	○
350,00	5,00	88 NBR 156	49047761	○
350,00	8,00	72 NBR 872	49052681	○
350,00	10,00	72 NBR 872	49027808	●
350,65	5,01	88 NBR 156	49049466	○
350,69	5,46	88 NBR 156	49049467	○
350,69	8,01	88 NBR 156	49049468	○
353,25	3,00	70 EPDM 281	49054121	○
353,94	3,00	72 NBR 872	49052682	○
354,10	8,42	72 NBR 872	49052683	○
354,31	4,00	70 EPDM 281	49054122	○
354,64	3,00	88 NBR 156	49049469	○
354,79	8,42	88 NBR 156	49049470	○
354,87	3,53	70 EPDM 281	49054123	○
354,92	7,00	72 NBR 872	49052684	○
354,97	5,33	70 EPDM 281	49054124	○
354,97	5,33	72 NBR 872	49052685	○
354,97	5,33	80 FKM 610	49051104	○
354,97	6,99	72 NBR 872	49047401	○
354,97	6,99	80 FKM 610	49051105	○
355,00	4,00	72 NBR 872	49001519	●
355,00	4,00	80 FKM 610	49047656	○
355,00	5,00	72 NBR 872	445504	●
355,00	8,00	72 NBR 872	49052686	○
355,19	3,53	70 EPDM 281	49054125	○
355,19	3,53	72 NBR 872	49052687	○
355,19	3,53	80 FKM 610	49051106	○
355,57	3,53	72 NBR 872	49052688	○
355,62	7,00	88 NBR 156	49049471	○

● Available from stock

○ On request: Tool is available, delivery at short notice



d ₁	d ₂	Material	Article No.	
355,70	4,00	88 NBR 156	49049472	○
355,70	8,01	88 NBR 156	49049473	○
356,27	3,53	88 NBR 156	49049474	○
356,73	4,99	70 EPDM 281	49054126	○
357,43	5,00	72 NBR 872	49052689	○
357,50	5,00	70 EPDM 281	49047407	○
358,00	5,00	80 FKM 610	49051107	○
358,13	4,99	88 NBR 156	49049475	○
358,57	5,69	70 EPDM 281	49054127	○
359,27	5,69	72 NBR 872	49052690	○
359,28	4,99	70 EPDM 281	49054128	○
359,98	5,00	72 NBR 872	49052691	○
359,98	5,69	88 NBR 156	49049476	○
360,00	5,00	70 EPDM 281	49047415	○
360,00	7,50	72 NBR 872	49047270	○
360,69	4,99	88 NBR 156	49049477	○
360,71	7,52	88 NBR 156	49049478	○
362,00	5,00	80 FKM 610	49051108	○
362,67	5,46	88 NBR 156	49049479	○
365,00	2,00	80 FKM 610	49051109	○
365,73	3,53	70 EPDM 281	49054129	○
366,45	3,53	72 NBR 872	49052692	○
366,81	7,00	72 NBR 872	49052693	○
366,96	3,51	72 NBR 872	49052694	○
367,00	3,50	72 NBR 872	49047271	○
367,17	3,53	88 NBR 156	49049480	○
367,53	7,00	88 NBR 156	49049481	○
367,67	6,99	72 NBR 872	14452225	●
367,67	6,99	80 FKM 610	49051110	○
367,67	6,99	88 NBR 156	49047343	○
367,67	7,00	72 NBR 872	49052695	○
367,68	3,51	88 NBR 156	49049482	○
368,39	7,00	88 NBR 156	49049483	○
369,00	2,50	80 FKM 610	49051111	○
369,25	5,50	70 EPDM 281	49054130	○
369,28	4,00	70 EPDM 281	49054131	○
369,50	2,50	72 NBR 872	49047634	○
369,97	5,50	72 NBR 872	49052696	○
370,00	4,00	72 NBR 872	49052697	○
370,00	6,00	72 NBR 872	14452226	●
370,00	6,00	80 FKM 610	49051112	○
370,00	10,00	70 EPDM 281	49047428	○
370,70	5,50	88 NBR 156	49049484	○
370,73	4,00	88 NBR 156	49049485	○
374,88	12,00	72 NBR 872	49052698	○
375,00	2,50	80 FKM 610	49051113	○
375,19	6,00	70 EPDM 281	49054132	○
375,80	8,93	88 NBR 156	49049486	○
375,92	6,00	72 NBR 872	49052699	○
376,00	6,00	72 NBR 872	49001316	●
376,66	6,00	88 NBR 156	49049487	○

d ₁	d ₂	Material	Article No.	
379,24	4,99	70 EPDM 281	49054133	○
379,59	5,33	70 EPDM 281	49054134	○
379,59	7,00	70 EPDM 281	49054135	○
379,94	10,00	72 NBR 872	49052700	○
379,98	5,00	72 NBR 872	49052701	○
380,00	4,00	72 NBR 872	445472	●
380,00	4,00	80 FKM 610	49051114	○
380,00	8,00	72 NBR 872	447933	●
380,00	10,00	72 NBR 872	49047272	○
380,22	3,53	70 EPDM 281	49054136	○
380,33	5,33	72 NBR 872	49052702	○
380,33	6,99	72 NBR 872	49052703	○
380,37	5,33	70 EPDM 281	49054137	○
380,37	5,33	72 NBR 872	14452227	●
380,37	5,33	80 FKM 610	49051115	○
380,37	6,99	72 NBR 872	14452228	●
380,37	6,99	80 FKM 610	49051116	○
380,59	3,53	70 EPDM 281	49054138	○
380,59	3,53	72 NBR 872	49052704	○
380,59	3,53	80 FKM 610	49051117	○
380,73	4,99	88 NBR 156	49049488	○
380,96	3,53	72 NBR 872	49052705	○
381,08	5,33	88 NBR 156	49049489	○
381,08	6,99	88 NBR 156	49049490	○
381,71	3,53	88 NBR 156	49049491	○
384,52	3,53	70 EPDM 281	49054139	○
385,00	6,00	72 NBR 872	14452229	●
385,00	6,00	80 FKM 610	49051118	○
385,17	6,00	70 EPDM 281	49054140	○
385,27	3,53	72 NBR 872	49052706	○
385,85	2,00	70 EPDM 281	49054141	○
385,92	6,00	72 NBR 872	49052707	○
386,00	3,55	80 FKM 610	49051119	○
386,00	6,00	72 NBR 872	49047273	○
386,03	3,53	88 NBR 156	49049492	○
386,68	6,00	88 NBR 156	49049493	○
387,37	2,01	88 NBR 156	49049494	○
388,00	2,50	72 NBR 872	49047624	○
388,00	2,50	80 FKM 610	49051120	○
391,57	3,53	70 EPDM 281	49054142	○
392,21	7,00	70 EPDM 281	49054143	○
392,33	3,53	72 NBR 872	49052708	○
392,73	4,97	88 NBR 156	49049495	○
392,98	6,99	72 NBR 872	49052709	○
393,07	6,99	80 FKM 610	49051121	○
393,07	6,99	88 NBR 156	63444	●
393,10	3,53	88 NBR 156	49049496	○
393,17	3,00	70 EPDM 281	49054144	○
393,75	6,99	88 NBR 156	49049497	○

● Available from stock

○ On request: Tool is available, delivery at short notice

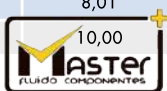


d ₁	d ₂	Material	Article No.	
393,94	3,00	72 NBR 872	49052710	○
394,72	3,00	88 NBR 156	49049498	○
394,94	2,40	72 NBR 872	49052711	○
395,72	2,40	88 NBR 156	49049499	○
396,00	6,00	70 EPDM 281	49047410	○
397,94	8,00	72 NBR 872	49052712	○
398,72	8,01	88 NBR 156	49049500	○
400,00	8,00	70 EPDM 281	49047698	○
400,73	2,98	88 NBR 156	49049501	○
400,79	4,00	88 NBR 156	49049502	○
400,79	5,95	88 NBR 156	49049503	○
400,79	8,01	88 NBR 156	49049504	○
405,26	3,53	70 EPDM 281	49054145	○
405,26	3,53	72 NBR 872	49052713	○
405,26	3,53	80 FKM 610	49051122	○
405,26	5,33	70 EPDM 281	49054146	○
405,26	5,33	72 NBR 872	14452230	●
405,26	5,33	80 FKM 610	49051123	○
410,00	4,00	72 NBR 872	49046419	●
412,00	8,00	72 NBR 872	446493	●
412,77	8,01	88 NBR 156	49049505	○
414,98	4,99	70 EPDM 281	49054147	○
415,00	5,00	72 NBR 872	446170	●
415,80	4,99	88 NBR 156	49049506	○
418,82	4,97	88 NBR 156	49049507	○
419,27	5,69	70 EPDM 281	49054148	○
420,00	10,00	70 EPDM 281	49047355	○
420,00	10,00	72 NBR 872	49047274	○
420,10	5,69	88 NBR 156	49049508	○
422,00	5,00	80 FKM 610	49051124	○
422,00	8,00	72 NBR 872	49047950	○
425,00	4,00	72 NBR 872	49047821	○
425,00	4,00	80 FKM 610	49051125	○
428,00	4,00	72 NBR 872	49047486	○
429,00	6,00	72 NBR 872	445710	●
429,00	6,00	80 FKM 610	49051126	○
430,66	3,53	70 EPDM 281	49054149	○
430,66	3,53	72 NBR 872	49052714	○
430,66	3,53	80 FKM 610	49051127	○
430,66	5,33	70 EPDM 281	49054150	○
430,66	5,33	72 NBR 872	14452231	●
430,66	5,33	80 FKM 610	49051128	○
432,00	5,00	80 FKM 610	49051129	○
437,00	6,00	80 FKM 610	49051130	○
440,00	4,00	72 NBR 872	49027809	●
441,00	8,00	72 NBR 872	49047275	○
441,85	8,01	88 NBR 156	49049509	○
444,22	7,00	72 NBR 872	49052715	○
444,22	7,00	88 NBR 156	49049510	○
445,83	8,01	88 NBR 156	49049511	○
448,00	10,00	72 NBR 872	49047276	○

d ₁	d ₂	Material	Article No.	
448,88	5,98	88 NBR 156	49049512	○
449,96	5,56	70 EPDM 281	49054151	○
450,84	5,56	88 NBR 156	49049513	○
455,87	3,51	88 NBR 156	49049514	○
467,00	5,70	72 NBR 872	49047946	○
467,47	2,62	70 EPDM 281	49054152	○
468,39	2,62	72 NBR 872	49052716	○
468,39	2,62	88 NBR 156	49049515	○
470,00	5,00	72 NBR 872	49047963	○
470,00	10,00	70 EPDM 281	49047380	○
470,00	10,00	72 NBR 872	445722	●
472,88	8,01	88 NBR 156	49049516	○
474,78	4,99	70 EPDM 281	49054153	○
474,85	5,00	72 NBR 872	49047376	○
475,72	4,99	88 NBR 156	49049517	○
479,96	6,00	70 EPDM 281	49054154	○
480,00	6,00	72 NBR 872	49047512	○
489,94	6,00	70 EPDM 281	49054155	○
490,00	8,00	72 NBR 872	462490	●
490,90	6,00	88 NBR 156	49049518	○
492,92	8,01	88 NBR 156	49049519	○
499,27	5,69	70 EPDM 281	49054156	○
500,26	5,69	88 NBR 156	49049520	○
500,98	3,51	88 NBR 156	49049521	○
514,93	8,01	88 NBR 156	49049522	○
524,48	8,47	70 EPDM 281	49054157	○
526,03	8,01	88 NBR 156	49049523	○
528,00	3,50	72 NBR 872	49047481	○
528,99	8,01	88 NBR 156	49049524	○
529,02	3,51	88 NBR 156	49049525	○
530,00	4,00	72 NBR 872	462491	●
530,80	2,62	70 EPDM 281	49054158	○
530,80	2,62	88 NBR 156	49047898	○
531,85	2,62	72 NBR 872	49052717	○
531,85	2,62	88 NBR 156	49049526	○
540,00	8,00	72 NBR 872	506831	●
541,10	7,97	88 NBR 156	49049527	○
561,50	8,50	72 NBR 872	467509	●
580,00	9,00	72 NBR 872	465792	●
622,00	8,00	72 NBR 872	465819	●
640,00	8,00	72 NBR 872	465827	●

● Available from stock

○ On request: Tool is available, delivery at short notice



Back-Up Ring SRA

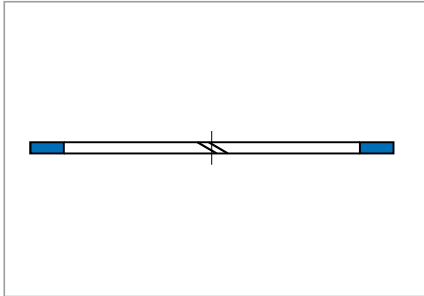


Fig. 1 Back-Up Ring SRA

Product description

Slit bearing component with rectangular cross-section for ISC O-Rings sealing on the outside.

Application

Bearing element to prevent gap extrusion of radial sealing ISC O-Rings used dynamically.

Material

Material	Code
Unfilled PTFE	PTFE00/F52800 or PTFE 177509

Product advantages

- Enlargement of the operating conditions of O-rings
- High material and product quality
- Wide selection of standard dimensions.

Operating conditions

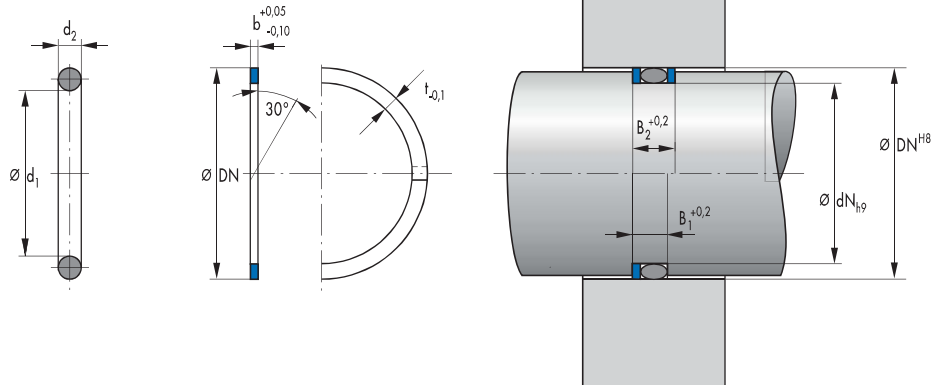
Media	Temperature
All fluids used in hydraulics	-70 ... +260 °C* (only valid for PTFE component)

* according to the O-ring material used

Fitting & installation

The surface finish requirements correspond to the values stipulated; → Technical Manual.
 Gap width: when using PTFE spiral back-up rings, gap widths up to 0,3 mm can be bridged at operating pressures <40 MPa (400 bar).

Article list



D _N	d _N	t	b	B ₁	B ₂	d ₁	d ₂	Material	Article No.	
8	3,9	2,05	1	3,7	4,7	3,3	2,4	PTFE F52800	39609	●
9	4,9	2,05	1	3,7	4,7	4,3	2,4	PTFE F52814	130394	●
10	5,9	2,05	1	3,7	4,7	5,3	2,4	PTFE F52803	95399	●
12	7,9	2,05	1	3,7	4,7	7,3	2,4	PTFE F52800	97614	●
13	8,9	2,05	1	3,7	4,7	8,3	2,4	PTFE F52803	97742	●
14	9,9	2,05	1	3,7	4,7	9,3	2,4	PTFE F52803	35457	○
16	11,9	2,05	1	3,7	4,7	11,3	2,4	PTFE F52803	97616	●
17	12,9	2,05	1	3,7	4,7	12,3	2,4	PTFE F52803	35463	○
18	13,9	2,05	1	3,7	4,7	13,3	2,4	PTFE F52803	35614	●
20	15,9	2,05	1	3,7	4,7	15,3	2,4	PTFE F52803	95575	●
21	16,9	2,05	1	3,7	4,7	16,3	2,4	PTFE F52803	96119	●
22	17,9	2,05	1	3,7	4,7	17,3	2,4	PTFE F52803	97011	●
23	17,8	2,6	1	4,4	5,4	17,2	3	PTFE F52803	96952	●
24	18,8	2,6	1	4,4	5,4	18,2	3	PTFE F52803	95558	●
25	19,8	2,6	1	4,4	5,4	19,2	3	PTFE F52803	94560	●
26	20,8	2,6	1	4,4	5,4	20,2	3	PTFE F52803	2114	●
27	21,8	2,6	1	4,4	5,4	21,2	3	PTFE F52800	35471	●
28	22,8	2,6	1	4,4	5,4	22,2	3	PTFE F52803	24137	●
30	24,8	2,6	1	4,4	5,4	24,2	3	PTFE F52803	97267	●
31	25,8	2,6	1	4,4	5,4	25,2	3	PTFE F52800	363047	●
32	26,8	2,6	1	4,4	5,4	26,2	3	PTFE F52803	97404	●
35	29,8	2,6	1	4,4	5,4	29,2	3	PTFE F52814	35475	●
36	30,8	2,6	1	4,4	5,4	30,2	3	PTFE F52800	99478	●
37	31,8	2,6	1	4,4	5,4	31	3	PTFE F52803	35477	○
38	32,8	2,6	1	4,4	5,4	32,2	3	PTFE F52803	35613	●
40	34,8	2,6	1	4,4	5,4	34,2	3	PTFE F52803	95677	●
41	35,8	2,6	1,5	4,4	5,4	35,2	3	PTFE F52814	422445	●
42	36,8	2,6	1,5	4,9	6,4	36,2	3	PTFE F52803	96992	●
43	37,8	2,6	1,5	4,9	6,4	37,2	3	PTFE F52800	35481	○
45	39,8	2,6	1,5	4,9	6,4	39,2	3	PTFE F52803	97606	●
46	35,8	5,1	1,5	7,9	9,4	35,2	5,7	PTFE F52814	111427	○
46	40,8	2,6	1,5	4,9	6,4	40,2	3	PTFE F52814	422447	●
47	36,8	5,1	1,5	7,9	9,4	36,2	5,7	PTFE F52814	422442	○
47	41,8	2,6	1,5	4,9	6,4	41,2	3	PTFE F52800	35484	○
48	42,8	2,6	1,5	4,9	6,4	42,2	3	PTFE F52800	35486	○

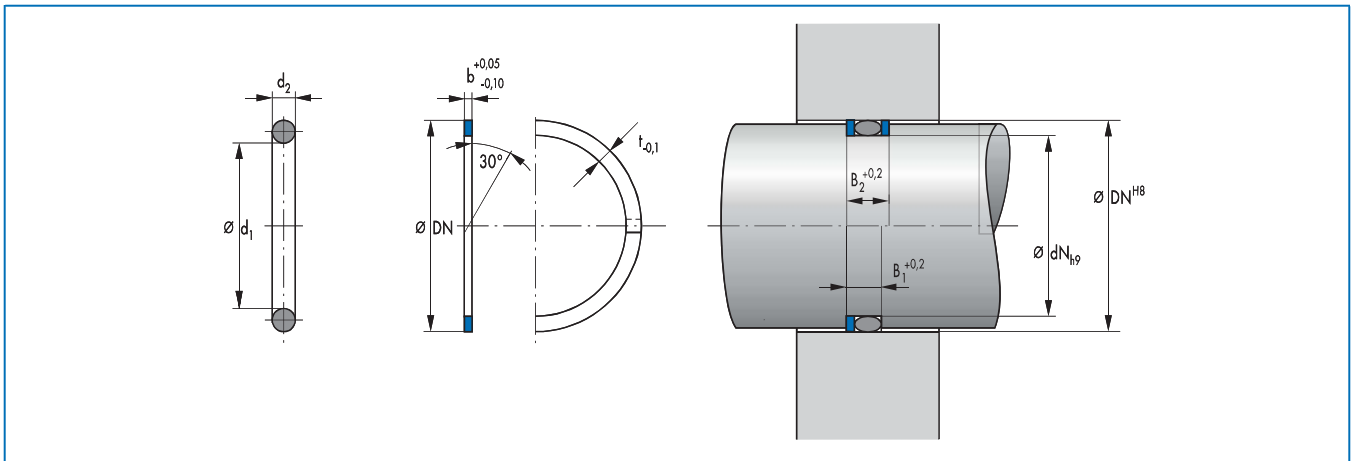
● Available from stock ○ On request: Tool is available, delivery at short notice



D _N	d _N	t	b	B ₁	B ₂	d ₁	d ₂	Material	Article No.	
49	38,8	5,1	1,5	7,9	9,4	38,2	5,7	PTFE F52814	422443	○
50	39,8	5,1	1,5	7,9	9,4	39,2	5,7	PTFE F52814	96047	●
50	44,8	2,6	1,5	4,9	6,4	44,2	3	PTFE F52803	27544	●
51	45,8	2,6	1,5	4,9	6,4	45,2	3	PTFE F52814	422448	○
52	41,8	5,1	1,5	7,9	9,4	41,2	5,7	PTFE F52800	35497	○
52	46,8	2,6	1,5	4,9	6,4	46,2	3	PTFE F52814	422449	●
55	44,8	5,1	1,5	7,9	9,4	44,2	5,7	PTFE F52803	97539	●
56	45,8	5,1	1,5	7,9	9,4	45,2	5,7	PTFE F52814	1777	○
56	50,8	2,6	1,5	4,9	6,4	50,2	3	PTFE F52814	422450	○
58	47,8	5,1	1,5	7,9	9,4	47,2	5,7	PTFE F52814	97264	○
60	49,8	5,1	1,5	7,9	9,4	49,2	5,7	PTFE F52803	96947	●
60	54,8	2,6	1,5	4,9	6,4	54,2	3	PTFE F52814	27678	●
61	55,8	2,6	1,5	4,9	6,4	55,2	3	PTFE F52814	422451	○
62	51,8	5,1	1,5	7,9	9,4	51,2	5,7	PTFE F52814	35498	○
62	56,8	2,6	1,5	4,9	6,4	56,2	3	PTFE F52814	422452	○
63	52,8	5,1	1,5	7,9	9,4	52,2	5,7	PTFE F52814	97774	●
63	57,8	2,6	1,5	4,9	6,4	57,2	3	PTFE F52814	422454	●
65	54,8	5,1	1,5	7,9	9,4	54,2	5,7	PTFE F52814	96042	●
65	59,8	2,6	1,5	4,9	6,4	59,2	3	PTFE F52814	422455	●
66	60,8	2,6	1,5	4,9	6,4	60,2	3	PTFE F52814	422456	○
68	57,8	5,1	1,5	7,9	9,4	57,2	5,7	PTFE F52814	35509	○
68	62,8	2,6	1,5	4,9	6,4	62,2	3	PTFE F52814	422457	○
70	59,8	5,1	1,5	7,9	9,4	59,2	5,7	PTFE F52803	96949	●
70	64,8	2,6	1,5	4,9	6,4	64,2	3	PTFE F52800	422458	○
72	61,8	5,1	1,5	7,9	9,4	61,2	5,7	PTFE F52814	94750	●
73	62,8	5,1	1,5	7,9	9,4	62,2	5,7	PTFE F52814	161342	○
73	67,8	2,6	1,5	4,9	6,4	67,2	3	PTFE F52814	422459	○
75	64,8	5,1	1,5	7,9	9,4	64,2	5,7	PTFE F52814	97743	●
75	69,8	2,6	1,5	4,9	6,4	69,2	3	PTFE F52814	422460	○
78	67,8	5,1	1,5	7,9	9,4	67,2	5,7	PTFE F52814	35521	○
78	67,8	5,1	1,5	7,9	9,4	67,2	5,7	PTFE F52800	352162	○
80	69,8	5,1	1,5	7,9	9,4	69,2	5,7	PTFE F52814	95730	●
80	74,8	2,6	1,5	4,9	6,4	74,2	3	PTFE F52814	383496	●
82	71,8	5,1	1,5	7,9	9,4	71,2	5,7	PTFE F52814	35528	○
83	72,8	5,1	1,5	7,9	9,4	72,2	5,7	PTFE F52814	362063	○
85	74,8	5,1	1,5	7,9	9,4	74,2	5,7	PTFE F52814	96951	●
88	77,8	5,1	1,5	7,9	9,4	77,2	5,7	PTFE F52814	422444	●
90	79,8	5,1	1,5	7,9	9,4	79,2	5,7	PTFE F52814	96445	●
92	81,8	5,1	1,5	7,9	9,4	81,2	5,7	PTFE F52814	390471	○
93	82,8	5,1	1,5	7,9	9,4	82,2	5,7	PTFE F52814	35546	○
95	84,8	5,1	1,5	7,9	9,4	84,2	5,7	PTFE F52814	96048	●
98	87,8	5,1	1,5	7,9	9,4	87,2	5,7	PTFE F52814	35547	○
100	89,8	5,1	2	8,4	10,4	89,2	5,7	PTFE F52814	95670	●
103	92,8	5,1	2	8,4	10,4	92,2	5,7	PTFE F52814	434446	○
105	94,8	5,1	2	8,4	10,4	94,2	5,7	PTFE F52814	96036	○
108	97,8	5,1	2	8,4	10,4	97,2	5,7	PTFE F52814	35553	○
110	99,8	5,1	2	8,4	9,4	99,2	5,7	PTFE F52814	37395	●
115	104,8	5,1	2	8,4	10,4	104,2	5,7	PTFE F52814	97015	●
120	109,8	5,1	2	8,4	10,4	109,2	5,7	PTFE F52814	35557	●
125	114,8	5,1	2	8,4	10,4	114,2	5,7	PTFE F52814	97462	●

● Available from stock ○ On request: Tool is available, delivery at short notice





D_N	d_N	t	b	B_1	B_2	d_1	d_2	Material	Article No.	
130	119,8	5,1	2	8,4	10,4	119,2	5,7	PTFE F52814	96744	●
135	124,8	5,1	2	8,4	10,4	124,2	5,7	PTFE F52814	422441	●
140	129,8	5,1	2	8,4	10,4	129,2	5,7	PTFE F52814	35560	●
150	139,8	5,1	2,5	8,9	11,4	139,2	5,7	PTFE F52814	97382	●

● Available from stock ○ On request: Tool is available, delivery at short notice



Back-Up Ring SRI

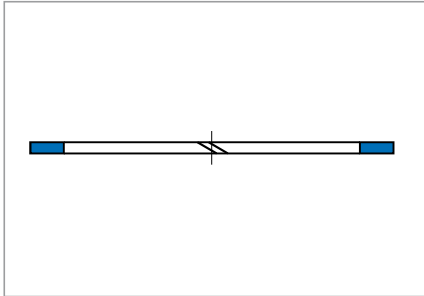


Fig. 1 Back-Up Ring SRI

Product description

Slit bearing component with rectangular cross-section for ISC O-Rings sealing on the inside.

Application

Bearing element to prevent gap extrusion of radial sealing ISC O-rings used dynamically.

Material

Material	Code
Unfilled PTFE	PTFE00/F52800 or PTFE 177509

Product advantages

- Enlargement of the operating conditions of O-rings
- High material and product quality
- Wide selection of standard dimensions.

Operating conditions

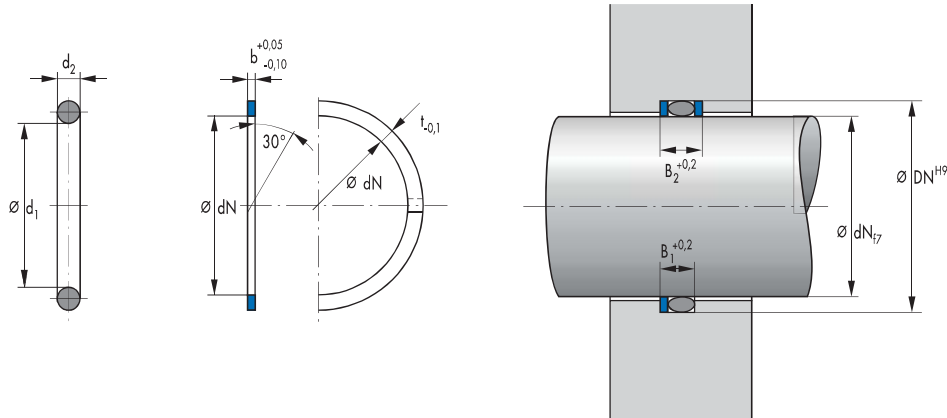
Media	Temperature
All fluids used in hydraulics	-70 ... +260 °C* (only valid for PTFE component)

* according to the O-ring material used

Fitting & installation

The surface finish requirements correspond to the values stipulated; → Technical Manual.
 Gap width: when using PTFE spiral back-up rings, gap widths up to 0,3 mm can be bridged at operating pressures <40 MPa (400 bar).

Article list



d_N	D_N	t	b	B_1	B_2	d_1	d_2	Material	Article No.	
6	10,2	2,1	1	3,7	4,7	6,3	2,4	PTFE 177509	49010166	○
8	12,2	2,1	1	3,7	4,7	8,3	2,4	PTFE F52803	97625	●
9	13,2	2,1	1	3,7	4,7	9,3	2,4	PTFE F52803	35563	●
10	14,2	2,1	1	3,7	4,7	10,3	2,4	PTFE F52803	97618	●
11	15,2	2,1	1	3,7	4,7	11,3	2,4	PTFE F52800	434440	●
12	16,2	2,1	1	3,7	4,7	12,3	2,4	PTFE F52803	95576	●
13	17,2	2,1	1	3,7	4,7	13,3	2,4	PTFE F52814	97738	○
14	18,2	2,1	1	3,7	4,7	14,3	2,4	PTFE F52803	97617	●
15	19,2	2,1	1	3,7	4,7	15,3	2,4	PTFE F52803	98519	●
16	20,2	2,1	1	3,7	4,7	16,3	2,4	PTFE F52803	94555	●
17	21,2	2,1	1	3,7	4,7	17,3	2,4	PTFE 177509	132836	○
17	22,2	2,6	1	4,4	5,4	17,2	3	PTFE F52814	422416	○
18	22,2	2,1	1	3,7	4,7	18,3	2,4	PTFE F52814	422415	●
18	23,2	2,6	1	4,4	5,4	18,2	3	PTFE F52814	27296	●
19	24,2	2,6	1	4,4	5,4	19,2	3	PTFE F52814	95082	●
20	25,2	2,6	1	4,4	5,4	20,2	3	PTFE F52803	96597	●
21	26,2	2,6	1	4,4	5,4	21,2	3	PTFE F52814	35579	○
22	27,2	2,6	1	4,4	5,4	22,2	3	PTFE F52803	27523	●
24	29,2	2,6	1	4,4	5,4	24,2	3	PTFE F52800	97854	●
25	30,2	2,6	1	4,4	5,4	25,2	3	PTFE F52803	97613	●
26	31,2	2,6	1	4,4	5,4	26,2	3	PTFE F52800	97857	●
29	34,2	2,6	1	4,4	5,4	29,2	3	PTFE F52803	434442	●
30	35,2	2,6	1	4,4	5,4	30,2	3	PTFE F52803	97739	●
31	36,2	2,6	1	4,4	5,4	31,2	3	PTFE F52800	434443	○
32	37,2	2,6	1	4,4	5,4	32,2	3	PTFE F52803	97610	●
34	39,2	2,6	1	4,4	5,4	34,2	3	PTFE F52814	27532	●
35	40,2	2,6	1,5	4,9	6,4	35,2	3	PTFE F52803	35592	●
36	41,2	2,6	1,5	4,9	6,4	36,2	3	PTFE F52803	96596	●
36	46,2	5,1	1,5	7,9	9,4	35,2	5,7	PTFE F52814	97326	●
37	42,2	2,6	1,5	4,9	6,4	37,2	3	PTFE F52803	97605	●
37	47,2	5,1	1,5	7,9	9,4	36,2	5,7	PTFE F52800	422433	○
38	48,2	5,1	1,5	7,9	9,4	37,2	5,7	PTFE F52800	381025	○
39	44,2	2,6	1,5	4,9	6,4	39,2	3	PTFE F52800	434444	○
40	45,2	2,6	1,5	4,9	6,4	40,2	3	PTFE F52803	97611	●
40	50,2	5,1	1,5	7,9	9,4	39,2	5,7	PTFE F52803	36772	●

● Available from stock ○ On request: Tool is available, delivery at short notice



d _N	D _N	t	b	B ₁	B ₂	d ₁	d ₂	Material	Article No.	
41	46,2	2,6	1,5	4,9	6,4	41,2	3	PTFE F52800	422417	○
42	47,2	2,6	1,5	4,9	6,4	42,2	3	PTFE F52814	422418	○
42	52,2	5,1	1,5	7,9	9,4	41,2	5,7	PTFE F52800	422434	●
44	49,2	2,6	1,5	4,9	6,4	44,2	3	PTFE F52803	35648	○
45	50,2	2,6	1,5	4,9	6,4	45,2	3	PTFE F52800	422419	●
45	55,2	5,1	1,5	7,9	9,4	44,2	5,7	PTFE F52800	97327	○
46	51,2	2,6	1,5	4,9	6,4	46,2	3	PTFE F52814	434445	●
46	56,2	5,1	1,5	7,9	9,4	45,2	5,7	PTFE F52800	422435	○
48	58,2	5,1	1,5	7,9	9,4	47,2	5,7	PTFE F52800	35663	●
49	54,2	2,6	1,5	4,9	6,4	49,2	3	PTFE F52814	422420	○
50	55,2	2,6	1,5	4,9	6,4	50,2	3	PTFE F52814	422421	●
50	60,2	5,1	1,5	7,9	9,4	49,2	5,7	PTFE F52803	96447	●
52	62,2	5,1	1,5	7,9	9,4	51,2	5,7	PTFE F52800	35667	○
53	63,2	5,1	1,5	7,9	9,4	52,2	5,7	PTFE F52800	160538	○
54	59,2	2,6	1,5	4,9	6,4	54,2	3	PTFE F52800	422422	○
55	49,8	2,6	1,5	4,9	6,4	49,2	3	PTFE F52814	434447	○
55	65,2	5,1	1,5	7,9	9,4	54,2	5,7	PTFE F52803	35713	○
56	61,2	2,6	1,5	4,9	6,4	56,2	3	PTFE F52800	422424	●
57	62,2	2,6	1,5	4,9	6,4	57,2	3	PTFE F52800	422425	○
58	68,2	5,1	1,5	7,9	9,4	57,2	5,7	PTFE F52814	381969	●
59	64,2	2,6	1,5	4,9	6,4	59,2	3	PTFE F52800	422426	○
60	65,2	2,6	1,5	4,9	6,4	60,2	3	PTFE F52814	422427	●
60	70,2	5,1	1,5	7,9	9,4	59,2	5,7	PTFE F52814	96117	●
62	67,2	2,6	1,5	4,9	6,4	62,2	3	PTFE F52814	422428	○
62	72,2	5,1	1,5	7,9	9,4	61,2	5,7	PTFE F52814	422436	○
63	73,2	5,1	1,5	7,9	9,4	62,2	5,7	PTFE F52814	35754	●
64	69,2	2,6	1,5	4,9	6,4	64,5	3	PTFE F52814	422429	○
65	75,2	5,1	1,5	7,9	9,4	64,2	5,7	PTFE F52802	35756	○
67	72,2	2,6	1,5	4,9	6,4	67,5	3	PTFE 177509	422430	○
68	78,2	5,1	1,5	7,9	9,4	67,2	5,7	PTFE F52800	434438	●
69	74,2	2,6	1,5	4,9	6,4	69,5	3	PTFE F52814	422431	○
70	80,2	5,1	1,5	7,9	9,4	69,2	5,7	PTFE F52814	35764	○
72	82,2	5,1	1,5	7,9	9,4	71,2	5,7	PTFE F52800	35777	○
73	83,2	5,1	1,5	7,9	9,4	72,2	5,7	PTFE F52800	422437	○
74	79,2	2,6	1,5	4,9	6,4	74,5	3	PTFE F52800	422432	○
75	85,2	5,1	1,5	7,9	9,4	74,2	5,7	PTFE F52800	35783	○
78	88,2	5,1	1,5	7,9	9,4	77,2	5,7	PTFE 177509	35784	○
80	90,2	5,1	1,5	7,9	9,4	79,2	5,7	PTFE F52814	97732	○
100	110,2	5,1	2	8,4	10,4	99,2	5,7	PTFE F52814	35832	●
110	120,2	5,1	2	8,4	10,4	109,2	5,7	PTFE F52814	97460	○
120	130,2	5,1	2	8,4	10,4	119,2	5,7	PTFE F52814	35839	○
125	135,2	5,1	2	8,4	10,4	124,2	5,7	PTFE 177509	49036095	○
130	140,2	5,1	2	8,4	10,4	129,2	5,7	PTFE F52800	35844	●
135	145,2	5,1	2	8,4	10,4	134,2	5,7	PTFE F52800	35846	○
140	150,2	5,1	2	8,9	11,4	139,2	5,7	PTFE F52814	96466	○

● Available from stock ○ On request: Tool is available, delivery at short notice



Spiral Back-Up Ring SPR

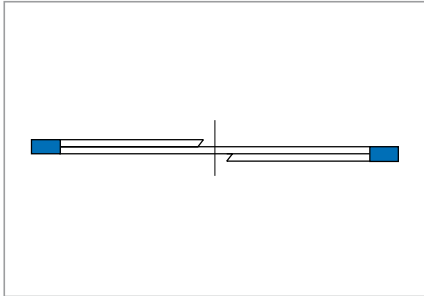


Fig. 1 Spiral Back-Up Ring SPR

Product description

Spiral-shaped split bearing component with rectangular cross section.

Product advantages

Advantage compared to conventional back-up rings:
 Even in cases where considerable temperature fluctuations occur, i.e. if there is post-shrinkage of the back-up ring, at least one turn of the spiral will be left to support the ISC O-Ring over the gap at any point around the circumference.
 Also suitable for non-standard diameters, as the ring can be shortened and thus adapted to fit.

Application

Bearing component to prevent gap extrusion of radial sealing ISC O-Rings.

Material

Material	Code
Unfilled PTFE	PTFE00/F52800 or PTFE 177509

Operating conditions

Media	Temperature
All fluids used in hydraulics	-70 ... +260 °C* (only valid for PTFE component)

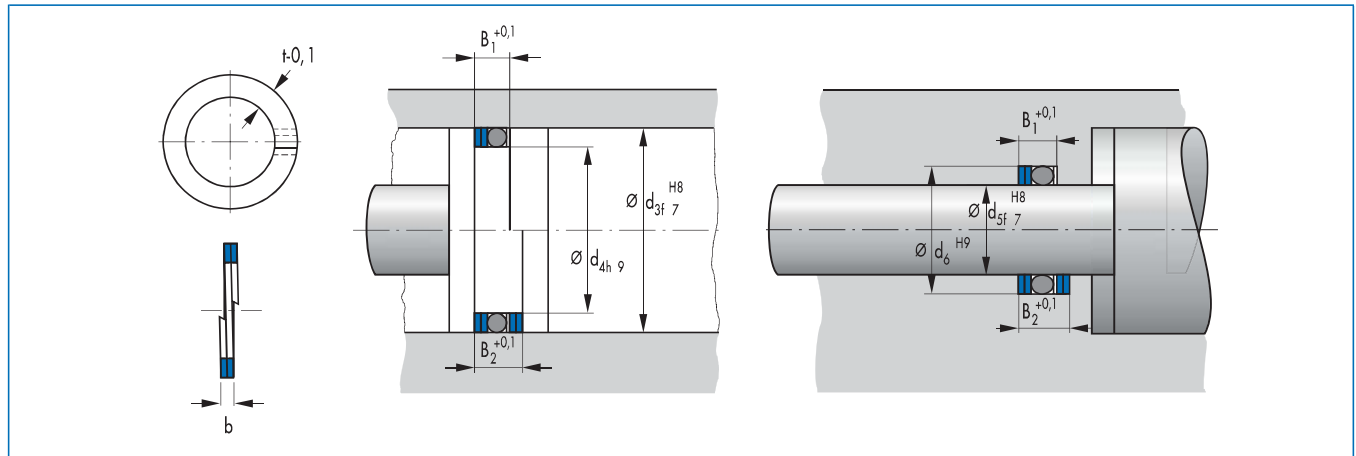
* according to the O-ring material used

Fitting & installation

The surface finish requirements correspond to the values stipulated; → Technical Manual.
 Gap width: when using PTFE spiral back-up rings, operating pressures ≤40 MPa (400 bar) or gap widths up to 0,3 mm can be bridged.
 Special sizes or special materials are available on enquiry.



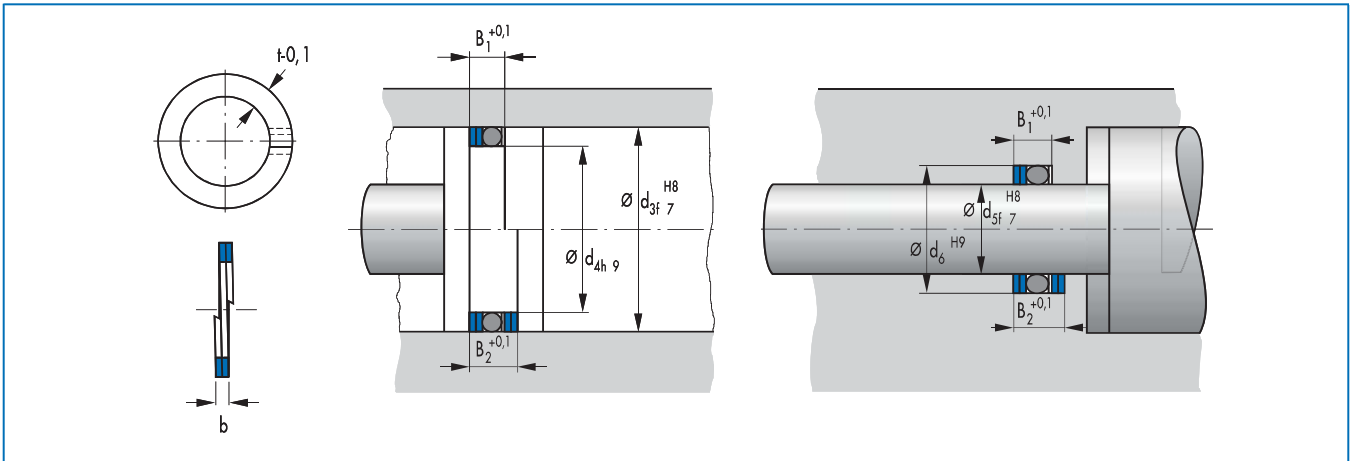
Article list



b	t	d ₁	d ₂	d ₅	d ₆	d ₃	d ₄	B ₁	B ₂	Material	Article No.	
1	2,1	5,3	2,4	5	9,2	10	5,9	3,7	4,7	PTFE F52800	158335	○
1	2,1	7,3	2,4	7	11,2	12	7,9	3,7	4,7	PTFE F52800	97187	○
1	2,1	10,3	2,4	10	14,2	15	10,9	3,7	4,7	PTFE F52803	95619	○
1	2,1	12,3	2,4	12	16,2	17	12,9	3,7	4,7	PTFE F52814	97195	○
1	2,1	13,3	2,4	13	17,2	18	13,9	3,7	4,7	PTFE F52803	94965	●
1	2,1	14,3	2,4	14	18,2	19	14,9	3,7	4,7	PTFE F52803	94967	○
1	2,1	15,3	2,4	15	19,2	20	15,9	3,7	4,7	PTFE F52800	97088	●
1	2,1	16,3	2,4	16	20,2	21	16,9	3,7	4,7	PTFE F52803	97192	●
1	2,1	17,3	2,4	17	21,2	22	17,9	3,7	4,7	PTFE F52803	97066	●
1	2,1	18,3	2,4	18	22,2	23	18,9	3,7	4,7	PTFE F52803	94972	●
1	2,1	20,3	2,4	20	24,2	25	20,9	3,7	4,7	PTFE F52803	98356	○
1	2,1	22,3	2,4	22	26,2	27	22,9	3,7	4,7	PTFE F52800	97347	○
1	2,1	23,3	2,4	23	27,2	27	23,9	3,7	4,7	PTFE F52800	365310	○
1	2,1	25,3	2,4	25	29,2	30	25,9	3,7	4,7	PTFE F52803	97282	●
1	2,6	18,2	3	18	23,2	24	18,8	4,4	5,4	PTFE F52803	94971	●
1	2,6	19	3	19	24,2	25	19,8	4,4	5,4	PTFE F52803	94973	●
1	2,6	20,2	3	20	25,2	26	20,8	4,4	5,4	PTFE F52800	97194	○
1	2,6	21,2	3	21	26,2	27	21,8	4,4	5,4	PTFE F52800	98611	○
1	2,6	22	3	22	27,2	28	22,8	4,4	5,4	PTFE F52814	97193	●
1	2,6	24,2	3	24	29,2	30	24,8	4,4	5,4	PTFE F52814	97086	●
1	2,6	26,2	3	26	31,2	32	26,8	4,4	5,4	PTFE F52803	94975	●
1	2,6	29	3	29	34,2	35	29,8	4,4	5,4	PTFE F52803	98083	○
1	2,6	30,2	3	30	35,2	36	30,8	4,4	5,4	PTFE F52814	97040	●
1	2,6	31,2	3	31	36,2	37	31,8	4,4	5,4	PTFE F52814	97012	○
1	2,6	34,2	3	34	39,2	40	34,8	4,4	5,4	PTFE F52803	94978	●
1	2,6	42,2	3	42	47,2	48	42,8	4,4	5,4	PTFE F52803	96973	○
1	2,6	49,2	5,7	50	60,2	60	49,8	4,4	5,4	PTFE F52803	97102	○
1	2,6	60,2	3	60	65,2	66	60,8	4,4	5,4	PTFE F52800	98144	○
1,5	2,6	35,2	3	35	40,2	41	35,8	4,9	6,4	PTFE F52803	97461	●
1,5	2,6	37,2	3	37	42,2	43	37,8	4,9	6,4	PTFE F52803	94980	○
1,5	2,6	44	3	44	49,2	50	44,8	4,9	6,4	PTFE F52803	98308	●
1,5	2,6	45,2	3	45	50,2	51	45,8	4,9	6,4	PTFE F52800	393118	○
1,5	2,6	46,2	3	46	51,2	52	46,8	4,9	6,4	PTFE F52800	160727	○
1,5	2,6	50,2	3	50	55,2	56	50,8	4,9	6,4	PTFE 177509	98084	○
1,5	2,6	74,5	3	74,3	79,5	80,3	75,1	4,9	6,4	PTFE F52803	413108	○

● Available from stock ○ On request: Tool is available, delivery at short notice





b	t	d ₁	d ₂	d ₅	d ₆	d ₃	d ₄	B ₁	B ₂	Material	Article No.	
1,5	5,1	44,2	5,7	45	55,2	55	44,8	7,9	9,4	PTFE F52800	94985	○
1,5	5,1	52,2	5,7	53	63,2	63	52,8	7,9	9,4	PTFE F52800	97535	○
1,5	5,1	54,2	5,7	55	65,2	65	54,8	7,9	9,4	PTFE F52803	97236	○
1,5	5,1	57,2	5,7	58	68,2	68	57,8	7,9	9,4	PTFE F52814	97279	○
1,5	5,1	59,2	5,7	60	70,2	70	59,8	7,9	9,4	PTFE F52814	97668	●
1,5	5,1	62,2	5,7	63	73,2	73	62,8	7,9	9,4	PTFE F52800	95376	○
1,5	5,1	64,2	5,7	65	75,2	75	64,8	7,9	9,4	PTFE F52800	94990	○
1,5	5,1	69,2	5,7	70	80,2	80	69,8	7,9	9,4	PTFE F52800	97688	○
1,5	5,1	74,2	5,7	75	85,2	85	74,8	7,9	9,4	PTFE F52800	382286	○
1,5	5,1	77,2	5,7	78	88,2	88	77,8	7,9	9,4	PTFE F52814	388230	○
2	5,1	89	5	90	100,2	100	89,8	8,4	10,4	PTFE F52814	97671	○
2	5,1	99,2	5,7	100	110,2	110	99,8	8,4	10,4	PTFE F52800	98224	○
2	5,1	114,2	5,7	115	125,2	125	114,8	8,4	10,4	PTFE F52800	371750	○
2	5,1	124,2	5,7	125	135,2	135	124,8	8,4	10,4	PTFE F52814	94994	○
3	5,1	189,2	5,7	190	200,2	200	189,8	9,4	12,4	PTFE F52814	94996	○

● Available from stock ○ On request: Tool is available, delivery at short notice



Profiles for Static Applications

Product overview

- Profiles
 - Hat Seals
 - X Profiles
 - Other special profiles
- Cords
 - Cord
 - Cord rings
- Hoses
 - Hoses
 - Hose rings.

Product description

Special profiles, cords or hoses are utilised whenever large sealing contact areas cannot be effectively sealed by form seals or O-rings, for example, in tunnelling machines, ships engines and hatchways. Over 3500 different profile nozzles as well as numerous materials area available. In addition, the development and production of customer-specific designs is possible, where the tool costs are very low compared to shape related components.

Product advantages

- Sealing large seal contact areas that cannot be sealed by an O-ring or a shape related component
- Customer-specific product development
- Low tool costs in comparison to shape related components
- Proprietary tool construction to ensure short supply times
- All common elastomers can be utilised
- Special materials competency
- Low number of pieces/amounts possible
- Profile rings in NBR and FKM are available with vulcanisation to butt. Advantages of batch vulcanisation:
 - Peak tensile strength values

- Identical elastomer as connecting element provides long-lasting durability.

Application

Components manufactured from profiles perform sealing tasks in numerous industrial sectors.

- Heavy-duty mechanical engineering, e.g. tunnel driving technology, cement/rock mills
- Plant engineering, e.g. turbines, shut-off valves, process cylinders
- Prime movers, e.g. ships' engines

- Separators, e.g. filtering technology, large separators
- Mechanical engineering, e.g. industrial washing machines, rotating assemblies
- Chemical industry, e.g. bins/reaction vessels, dosing units/dosing pumps
- Medical technology, e.g. diagnostic equipment components, dosing units
- Foodstuffs industry, e.g. industrial juice presses, separators, and butchering machines.

Material

Besides the common materials with shorter delivery times, numerous special materials are also offered. These feature outstanding quality and durability. In

the following overview, suitable materials can be selected according to their requirements.

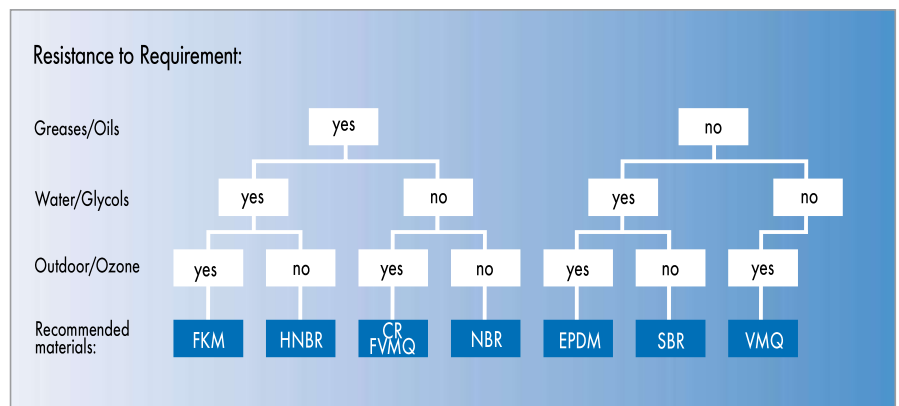


Fig.1 Material configuration

Material	Colour	Operating temperature range
50 NBR 121*	Black	-30 ... +90 °C
60 NBR 122	Black	-30 ... +90 °C
70 NBR 221	Black	-25 ... +90 °C
70 NBR 803	Grey	-25 ... +90 °C
70 NBR 173216	Black	-30 ... +70 °C
72 NBR 872	Black	-30 ... +100 °C
79 NBR 105	Black	-30 ... +90 °C
80 NBR 709*	Black	-30 ... +90 °C
85 NBR 714	Black	-20 ... +90 °C
88 NBR 101	Black	-30 ... +100 °C
39 CR 174240*	Grey	-40 ... +80 °C
55 CR 852	Black	-40 ... +110 °C
67 CR 853	Black	-40 ... +110 °C
67 CR 215595	Black	-40 ... +80 °C
58 EPDM 215550	Grey	-40 °C ... +120 °C
70 EPDM 275	Black	-40 °C ... +120 °C
70 FKM 598	Green	-15 °C ... +200 °C
70 FKM 215450	Black	-10 °C ... +200 °C
72 FKM 588	Black	-10 °C ... +200 °C
60 FVMQ 143026	Beige	-80 °C ... +175 °C
50 VMQ 570	Beige	-40 °C ... +200 °C
50 VMQ 114721	Yellow transparent	-40 °C ... +180 °C
58 VMQ 518	Red brown	-40 °C ... +200 °C
60 VMQ 114722	Yellow transparent	-40 °C ... +180 °C
70 VMQ 114723	Yellow transparent	-40 °C ... +180 °C
78 VMQ 526	Red	-40 °C ... +200 °C

* Special material on enquiry

Design notes

Tolerances

All profiles, cords and hoses are manufactured according to DIN ISO 3302-1 E2. In exceptional cases, production according to E1 is also possible.

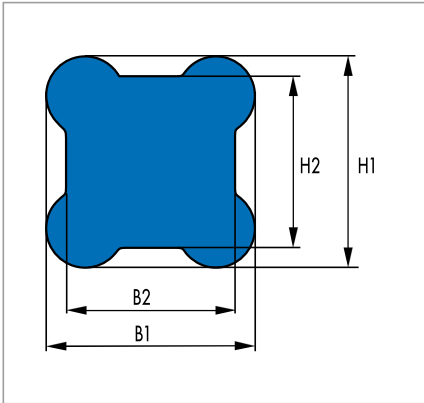
Limits for dimensions of cross sections of extruded components not supported (all dimensions in mm):

Nominal dimension		Tolerance class	
over	to	E1*	E2
0	1,5	0,15	0,25
1,5	2,5	0,20	0,35
2,5	4,0	0,25	0,40
4,0	6,3	0,35	0,50
6,3	10,0	0,40	0,70
10	16	0,50	0,80
16	25	0,70	1,00
25	40	0,80	1,30
40	63	1,00	1,60
63	100	1,30	2,00

* Partially possible in individual cases



X Profiles



X-Profiles are used for sealing rods, cylinders and housings. The lower compression required as a result of the four lip sealing profile makes them favourable to round profiles and results in cost advantages during installation. In addition, X-Profiles can easily be used in a rectangular groove thanks to their contour. The decisive advantage of the X-Profile is that the risk of tilting and twisting is minimised due to the larger bearing surface.

Article list

B1	B2	H1	H2	Article No.
6	3,5	6	3,5	DÜ 20053
6	4	6	4	DÜ 3125
8	6,4	8	6,4	DÜ 20057
10	8	10	8	DÜ 20069
13	10,4	13	10,4	DÜ 3234
16	12,8	16	12,8	DÜ 3233

Other dimensions on enquiry.

Other special profiles

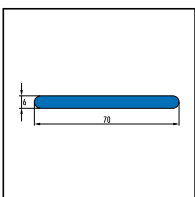
Profiles can be produced and supplied as follows:

- By the metre
 - With/without integral bend
- Profile sections
 - Produced to customer requirements (up to 2000 mm without integral bend possible)
- Profile rings
 - Bonded to butt or batch vulcanised.

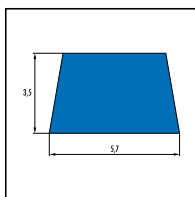
Profile nozzles

Below is a selection of the 3500 profile nozzles in stock.

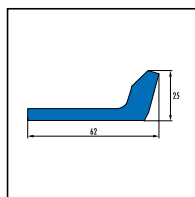
Individual tools can be developed and produced for special designs on enquiry. This normally takes around 4 weeks.



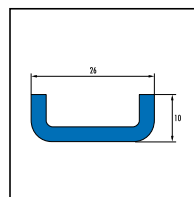
Profile 330



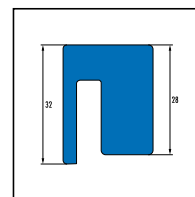
Profile 532



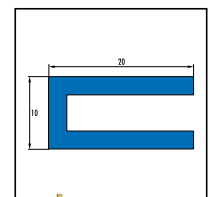
Profile 553



Profile 1235

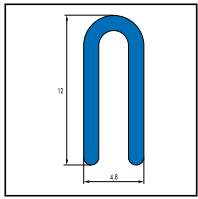


Profile 1775

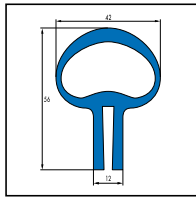


Profile 1930

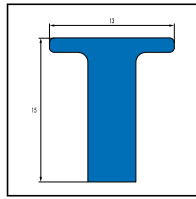




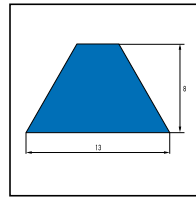
Profile 1966



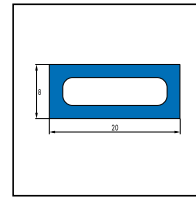
Profile 2018



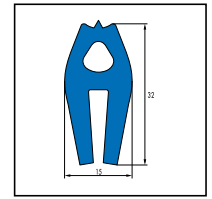
Profile 2028



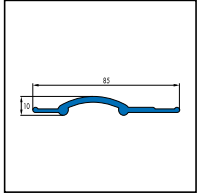
Profile 2130



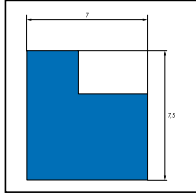
Profile 2295



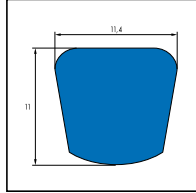
Profile 2584



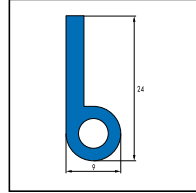
Profile 2766



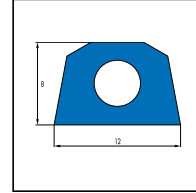
Profile 2817



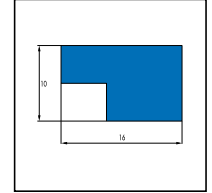
Profile 2956



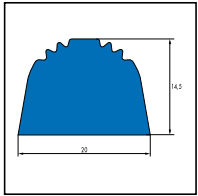
Profile 2976



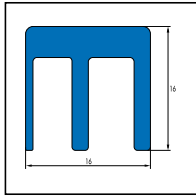
Profile 3009



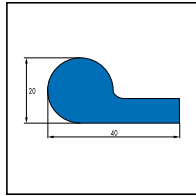
Profile 3058



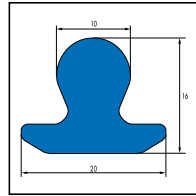
Profile 3225



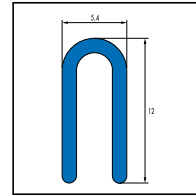
Profile 3261



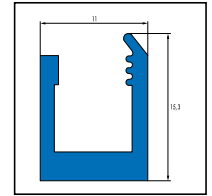
Profile 3274



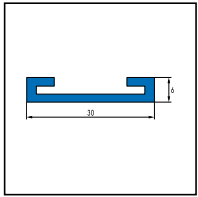
Profile 3387



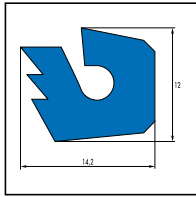
Profile 20116



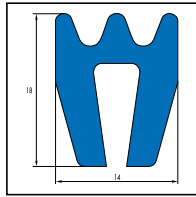
Profile 20121



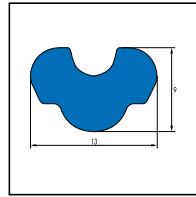
Profile 20124



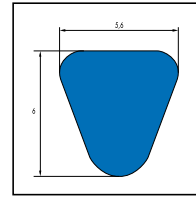
Profile 20128



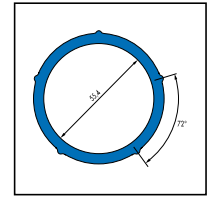
Profile 20141



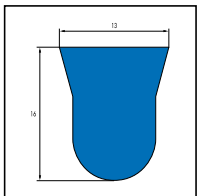
Profile 20162



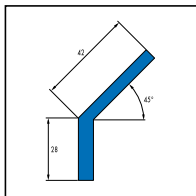
Profile 20163



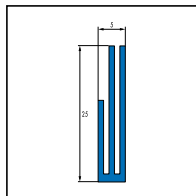
Profile 20189



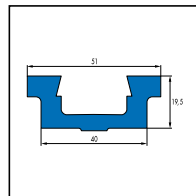
Profile 20197



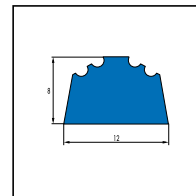
Profile 20211



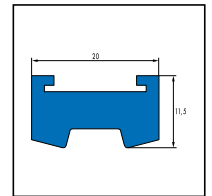
Profile 20212



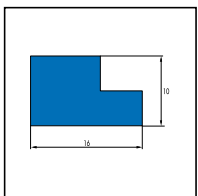
Profile 20213



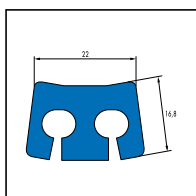
Profile 20260



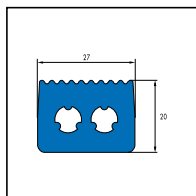
Profile 20271



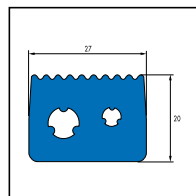
Profile 20281



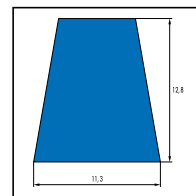
Profile 20290



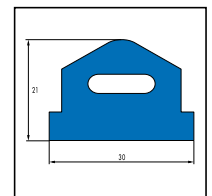
Profile 20373



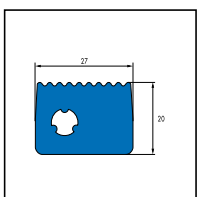
Profile 20397



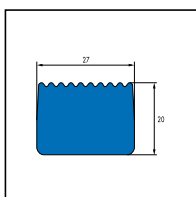
Profile 20406



Profile 20424



Profile 20443



Profile 20465



Cord

The endless, extruded cord with O-ring profile serves as base material for cord rings, among others. These are used, for example, for the sealing of larger flanges or tank lids.

Range

- By the metre:
 - From 1 to 40 mm cord diameter available
- Cord sections:
 - Produced from cord supplied by the metre
 - From 1 to 40 mm cord diameter
 - Up to 2000 mm length without integral bend possible.

Article list

The following cords with cord diameter from 1 to 12 mm are available from stock

Ø d ₂	Tolerance	Material	Article No.	
1	±0,3	72 NBR M00872	73325	●
1,5	±0,3	72 NBR M00872	71863	●
2	±0,3	72 NBR M00872	72370	●
2,5	±0,3	72 NBR M00872	72213	●
3	±0,3	72 NBR M00872	77143	●
3,5	±0,4	72 NBR M00872	73010	●
4	±0,4	72 NBR M00872	70472	●
4,5	±0,4	72 NBR M00872	73459	●
5	±0,4	72 NBR M00872	72214	●
6	±0,4	72 NBR M00872	72217	●
7	±0,5	72 NBR M00872	73399	●
8	±0,5	72 NBR M00872	72365	●
9	±0,5	72 NBR M00872	72219	●
10	±0,5	72 NBR M00872	72366	●
11	±0,6	72 NBR M00872	77126	●
12	±0,6	72 NBR M00872	74034	●

● Available from stock; Other dimensions on enquiry.

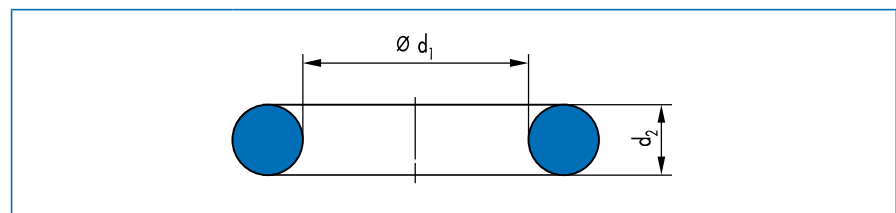
Cord rings

Cord rings are extruded cords, which are cut to the appropriate diameter and bonded or vulcanised to butt.

Range

Cord rings are produced from cord supplied by the metre. They are available with a cord diameter from 1 to 40 mm. A two-part adhesive can be used for bonding to butt. NBR and FKM product versions are available ex works with vulcanisation to butt.

Article list



d ₁	Tolerance	d ₂	Tolerance
>80 ... 120	-1	≤3	±0,3
>120 ... 180	-1,4	>3 ... 6	±0,4
>180 ... 250	-1,2	>6 ... 10	±0,5
>250 ... 315	-2,8	>10 ... 18	±0,6
>315 ... 400	-3,5	>18 ... 30	±0,8
>400 ... 500	-4,5		
>500 ... 600	-6		
>600	-1% of d ₁		

Tolerances

The range of tolerances tends towards the negative side as a certain amount of elongation of rings with a large diameter is possible at any time during installation without causing an appreciable tapering of the cross section.

Hose rings

Hose rings are rings punched from the hose and produced as hose by the metre. Hose rings made from precision hoses have absolute sharp inside and outside edges. The inside diameter is smooth and absolutely cylindrical. If necessary, a chamber and/or coloured marking is also possible.

Due to the special manufacturing process, a particularly good compression set is achieved.

Range

Hose rings are available always in agreement/on enquiry with a wall strength from 1 mm and up to an inside diameter of 200 mm.



Usit Rings U, UA, USF

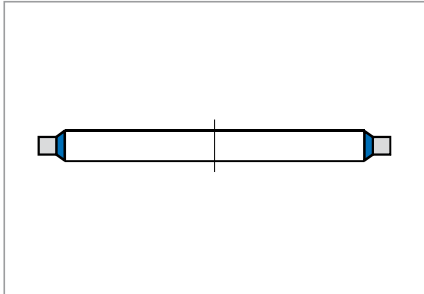


Fig. 1 Usit Ring U

Product description

Metal gasket with internally (U) or externally (UA) vulcanised, trapezoidal, rubber-elastic sealing bead for static sealing of

- Threaded fittings
- Flange connections
- (USF) with centring diaphragm.

Product advantages

- Easy fitting
- Force-fit connections
- Secure, self-reinforced sealing
- Suitable for high pressures.

Application

Sealing of threaded fittings and flange connections e.g. in mechanical engineering.

Material

Metal ring	Steel SPCC Steel SPCC-1B Stainless steel (SUS 304)
Sealing bead	NBR rubber 72 NBR 99041 FKM rubber 75 FKM 99104 Other materials are available on enquiry from special production.
Surface protection metal ring	SPCC/NBR zinc chrome plated (CR VI free coating) SPCC-1B/NBR zinc chrome plated (CR VI free coating) SPCC/FKM phosphated SPCC-1B/FKM phosphated

Operating conditions

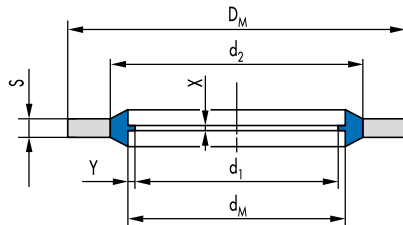
NBR	
Media	Mineral oils (as per DIN 51524), hydraulic fluids HFA, HFB, HFC (as per VDMA 24320)
Temperature	-30 ... +100 °C
FKM	
Media	Hot air (+250 °C) Mineral oils (as per DIN 51524, +150 °C) Hydraulic fluids (as per VDMA 24320, +150 °C)
Operating pressure	<100 MPa (installation in counter bore) <40 MPa (installation without counter bore for Ø <40 mm; only USF) <25 MPa (installation without counter bore for Ø <40 mm)

Design notes

Installation

Surface	Flat surfaces	$R_{max} \leq 15 \mu m$ $R_a \leq 3 \mu m$
---------	---------------	---

Tolerances on finished parts



	D_M	D_M		s
≤ 28	+0,15/-0,10	+0,10/-0,20	1,0	+0,08/-0,15
28 ... 50	+0,20/-0,10	+0,10/-0,30	1,5	+0,13/-0,20
> 50	+0,25/-0,10	+0,10/-0,40	2,0	+0,13/-0,20
			3,0	+0,20/-0,25
			3,5	+0,20/-0,30



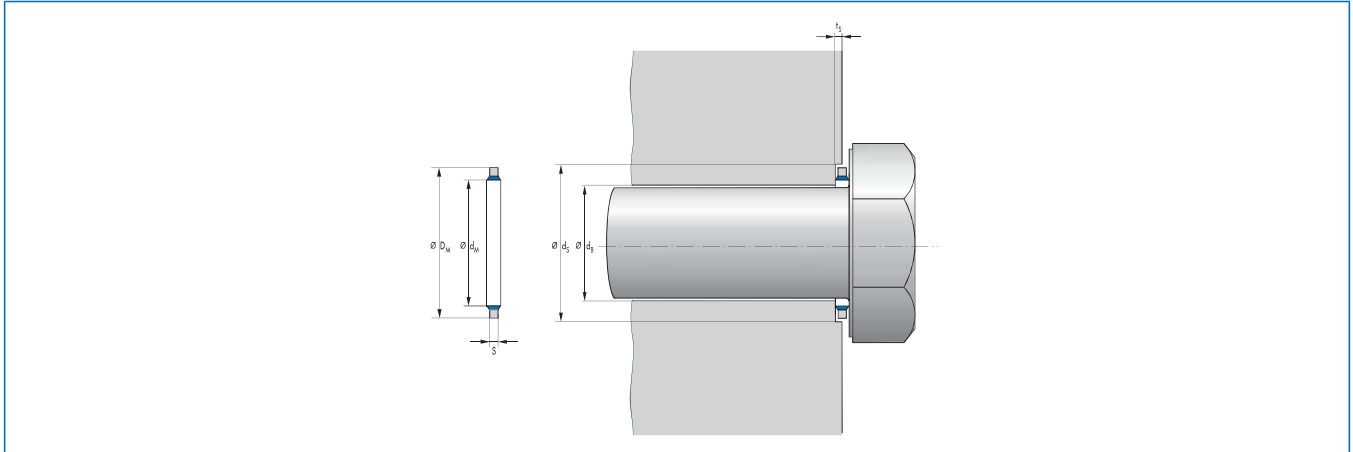
Article list U

$t_s = 0,5 \dots 1$

$d_s = (DM+0,5) H13$

up to $D_M = 40$:

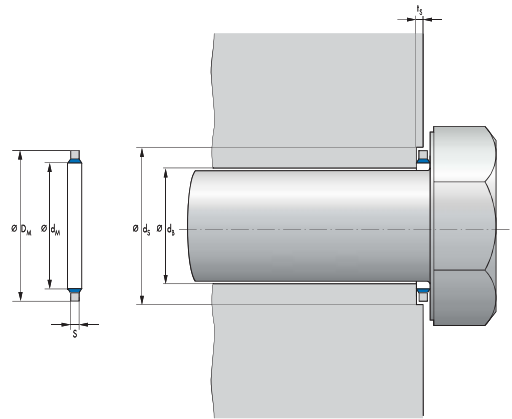
Centering (t_s/d_s) mandatory!



d_M	D_M	S	Steel	for metric threads	D_g	Material	Article No.	
3,8	7,6	1	SPCC	3	3,1	72 NBR M99041	452098	●
3,8	7,6	1	SUS 304	3	3,1	72 NBR M99041	461069	●
3,8	7,6	1	SPCC	3	3,1	75 FKM M99104	452213	●
4,1	7,2	1	SPCC	3	3,2	72 NBR M99041	371997	●
4,5	7	1	SUS 304	3	3,6	72 NBR M99041	434169	●
4,5	7	1	SPCC	3	3,6	72 NBR M99041	371998	●
4,5	7	1	SUS 304	3	3,6	75 FKM M99104	452204	●
4,5	7	1	SPCC	3	3,6	75 FKM M99104	452214	●
4,9	8,6	1	SPCC	4	4	72 NBR M99041	452099	●
4,9	8,6	1	SUS 304	4	4	72 NBR M99041	452112	●
4,9	8,6	1	SPCC	4	4	75 FKM M99104	452215	●
5,7	9	1	SPCC	4	4,8	72 NBR M99041	371208	●
5,7	9	1	SUS 304	4	4,8	72 NBR M99041	452113	●
5,7	10	1	SPCC	4	4,8	72 NBR M99041	371209	●
5,7	10	1	SUS 304	4	4,8	70 EPDM M99057	506650	○
6,2	9,2	1	SPCC	5	5,3	72 NBR M99041	371210	●
6,2	9,2	1	SUS 304	5	5,3	72 NBR M99041	461071	●
6,2	9,2	1	SPCC	5	5,3	75 FKM M99104	452218	●
6,7	10	1	SPCC	5	5,8	72 NBR M99041	371211	●
6,7	10	1	SPCC-1B	5	5,8	72 NBR M99041	452170	●
6,7	10	1	SPCC-1B	5	5,8	75 FKM M99104	452107	●
6,7	11	1	SPCC	5	5,8	72 NBR M99041	371212	●
6,7	11	1	SUS 304	5	5,8	72 NBR M99041	452114	●
6,7	11	1	SPCC-1B	5	5,8	75 FKM M99104	452207	●
6,7	11	2,5	SPCC	5	5,8	72 NBR M99041	371213	●
6,7	11	2,5	SPCC	5	5,8	75 FKM M99104	522083	○
6,7	12,5	1,5	SPCC	5	5,8	70 ACM M99046	389409	○
7,1	12	1	SPCC	6	6,2	72 NBR M99041	371214	●
7,3	10,2	1	SPCC	6	6,4	72 NBR M99041	371216	●
7,7	15	1	SPCC	6	6,8	72 NBR M99041	453891	○

● Available from stock ○ On request: Tool is available, delivery at short notice





d _M	D _M	S	Steel	for metric threads	D _g	Material	Article No.	
8,5	13,4	1	SPCC	7	7,6	72 NBR M99041	371220	●
8,5	13,4	1	SUS 304	7	7,6	72 NBR M99041	452118	●
8,5	13,4	1	SPCC-1B	7	7,6	75 FKM M99104	452208	●
8,7	13	1	SPCC	7	7,8	72 NBR M99041	371221	●
8,7	13	1	SUS 304	7	7,8	72 NBR M99041	452119	●
8,7	13	1	SPCC-1B	7	7,8	72 NBR M99041	452177	●
8,7	13	1	SPCC	7	7,8	72 NBR M99041	452787	○
8,7	13	1	SPCC-1B	7	7,8	75 FKM M99104	451198	●
8,7	14	1	SPCC	7	7,8	72 NBR M99041	371222	●
8,7	14	1	SUS 304	7	7,8	72 NBR M99041	452121	●
8,7	14	1	SPCC-1B	7	7,8	72 NBR M99041	452196	●
8,7	14	1	SUS 304	7	7,8	75 FKM M99104	452205	●
8,7	16	1	SPCC	7	7,8	72 NBR M99041	371224	●
9,3	13,3	1	SPCC	8	8,4	72 NBR M99041	371225	●
9,3	13,3	1	SUS 304	8	8,4	72 NBR M99041	452122	●
9,3	13,3	1	SPCC-1B	8	8,4	72 NBR M99041	452197	●
9,3	13,3	1	SPCC-1B	8	8,4	75 FKM M99104	452210	●
9,3	14,6	1	SPCC	8	8,4	72 NBR M99041	452100	●
9,3	14,6	1	SUS 304	8	8,4	72 NBR M99041	452123	●
9,3	14,6	1	SPCC-1B	8	8,4	72 NBR M99041	452200	●
10,35	16	2	SPCC	8	9,4	72 NBR M99041	371226	●
10,35	16	2	SUS 304	8	9,4	72 NBR M99041	461072	●
10,7	16	1,5	SPCC	8	9,8	72 NBR M99041	371229	●
10,7	16	1,5	SUS 304	8	9,8	72 NBR M99041	452124	●
10,7	16	1,5	SPCC-1B	8	9,8	72 NBR M99041	452201	●
10,7	18	1,5	SPCC	8	9,8	72 NBR M99041	371230	○
11,4	16,3	1,5	SPCC	10	10,5	72 NBR M99041	371233	●
11,4	16,3	1,5	SPCC-1B	10	10,5	72 NBR M99041	461574	●
11,4	16,3	1,5	SPCC-1B	10	10,5	75 FKM M99104	461581	●
11,5	17,6	1,5	SPCC	10	10,5	72 NBR M99041	460307	●
11,8	18,5	1,5	SPCC	10	10,8	72 NBR M99041	372000	●
11,8	19,1	1,5	SPCC	10	10,8	72 NBR M99041	452103	●
11,8	19,1	1,5	SPCC-1B	10	10,8	72 NBR M99041	452202	●
12,7	18	1,5	SPCC	10	11,7	72 NBR M99041	371235	●
12,7	18	1,5	SUS 304	10	11,7	72 NBR M99041	452153	●
12,7	18	1,5	SPCC-1B	10	11,7	72 NBR M99041	452203	●
12,7	18	1,5	MSBL	10	11,7	72 NBR M99041	468861	○

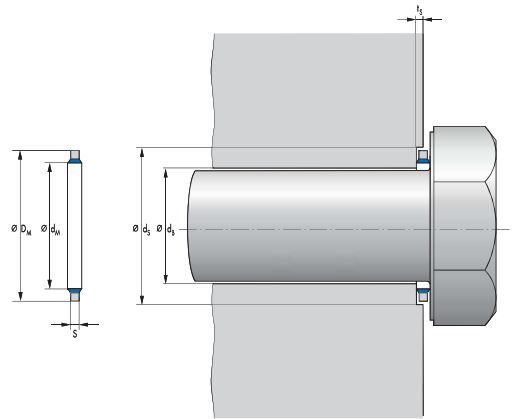
● Available from stock ○ On request: Tool is available, delivery at short notice



d _M	D _M	S	Steel	for metric threads	D _g	Material	Article No.	
12,7	18	1,5	SPCC	10	11,7	75 FKM M99104	452220	●
12,7	20	1,5	SPCC	10	11,7	72 NBR M99041	371236	●
13,7	20	1,5	SPCC	12	12,7	72 NBR M99041	371237	●
13,7	20	1,5	SUS 304	12	12,7	72 NBR M99041	452154	●
13,7	20	1,5	SPCC	12	12,7	75 FKM M99104	452221	●
13,7	22	1,5	SPCC	12	12,7	72 NBR M99041	371238	●
14	18,7	1,5	SPCC	12	13	72 NBR M99041	371240	●
14	18,7	1,5	SPCC-1B	12	13	72 NBR M99041	461582	●
14,7	22	1,5	SPCC	12	13,7	72 NBR M99041	371241	●
14,7	22	1,5	SUS 304	12	13,7	72 NBR M99041	452156	●
14,7	22	1,5	SPCC	12	13,7	75 FKM M99104	452222	●
14,86	22,29	2,1	SPCC	12	13,86	72 NBR M99041	427277	●
16	22,7	1,5	SPCC	14	15	72 NBR M99041	371243	●
16,7	24	1,5	SPCC	14	15,7	72 NBR M99041	371244	●
16,7	24	1,5	SUS 304	14	15,7	72 NBR M99041	452157	●
16,7	24	1,5	SPCC-1B	14	15,7	72 NBR M99041	461584	●
17,4	24	1,5	SPCC	14	16,4	72 NBR M99041	371245	●
17,4	24	1,5	SUS 304	14	16,4	72 NBR M99041	461073	●
17,4	24	1,5	SPCC	14	16,4	75 FKM M99104	452223	●
18	24,7	1,5	SPCC	16	17	72 NBR M99041	372004	●
18	24,7	1,5	SUS 304	16	17	72 NBR M99041	452125	●
18	24,7	1,5	SUS 304	16	17	75 FKM M99104	452206	●
18,7	26	1,5	SPCC	16	17,7	72 NBR M99041	371246	●
19,7	26	1,5	SPCC	16	18,7	72 NBR M99041	452104	●
19,7	26	1,5	SPCC-1B	16	18,7	75 FKM M99104	452212	○
19,7	26	1,5	SPCC-1B	16	18,7	75 FKM M99104	468671	○
20,7	28	1,5	SPCC	16	19,6	72 NBR M99041	371248	●
20,7	28	1,5	SPCC	16	19,6	75 FKM M99104	452219	●
20,7	28	2,5	SUS 304	16	19,6	72 NBR M99041	452126	●
21,5	28,7	2,5	SPCC	18	20,4	72 NBR M99041	371249	●
22,5	28	1,5	SPCC	20	21,26	72 NBR M99041	372006	●
22,5	28	1,5	SUS 304	20	21,3	75 FKM M99104	461077	●
22,7	30	2	SPCC	20	21,46	72 NBR M99041	371250	●
22,7	30	2	SUS 304	20	21,46	72 NBR M99041	452127	●
22,7	30	3	SPCC	20	21,46	72 NBR M99041	372007	●
24,7	32	2	SPCC	20	23,46	72 NBR M99041	371251	●
26,7	35	2	SPCC	22	24,5	72 NBR M99041	371262	●
27	36	2	SPCC	24	25	72 NBR M99041	371263	●
27,2	36	2	SUS 304	24	25	72 NBR M99041	461080	●
28	35	2	SPCC	24	25,8	72 NBR M99041	400740	●
28,7	37	2	SPCC	24	25,7	72 NBR M99041	371264	●
28,7	37	2	SUS 304	24	25,7	72 NBR M99041	461082	●
31	39	2	SPCC	27	28	72 NBR M99041	371266	●
31	39	2	SPCC	27	28	75 FKM M99104	437799	●
33,7	42	2	SPCC	27	30	72 NBR M99041	371268	●
33,7	42	2	SPCC-1B	27	30	72 NBR M99041	437793	○
34,3	43	2	SPCC	27	30,6	72 NBR M99041	371269	●
36,7	46	2	SPCC	30	30,7	72 NBR M99041	371270	●
40	51	2,5	SPCC	27	34	72 NBR M99041	461083	●
40	51	2,5	SUS 304	27	34	72 NBR M99041	461084	○

● Available from stock ○ On request: Tool is available, delivery at short notice

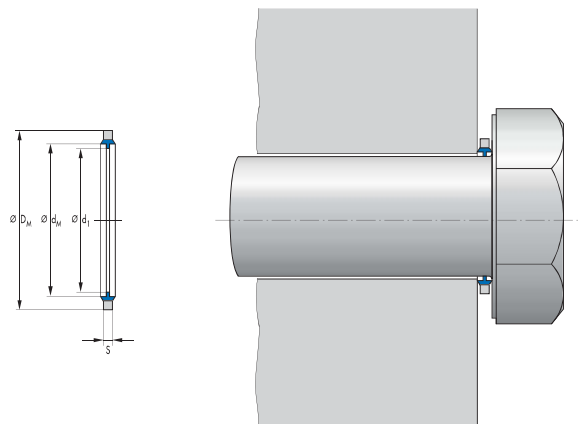




d_M	D_M	S	Steel	for metric threads	D_g	Material	Article No.	
42,7	53	3	SPCC	36	36,7	72 NBR M99041	371272	●
42,7	53	3	SUS 304	36	36,7	75 FKM M99104	523373	○
48,7	59	3	SPCC	36	42,7	72 NBR M99041	371273	●
52	60	3	SPCC	40	46	72 NBR M99041	371274	●
53,3	64,5	3	SPCC	42	47,3	72 NBR M99041	371275	●
60,7	73	3	SPCC	48	54,7	72 NBR M99041	371252	○

● Available from stock ○ On request: Tool is available, delivery at short notice

Article list USF

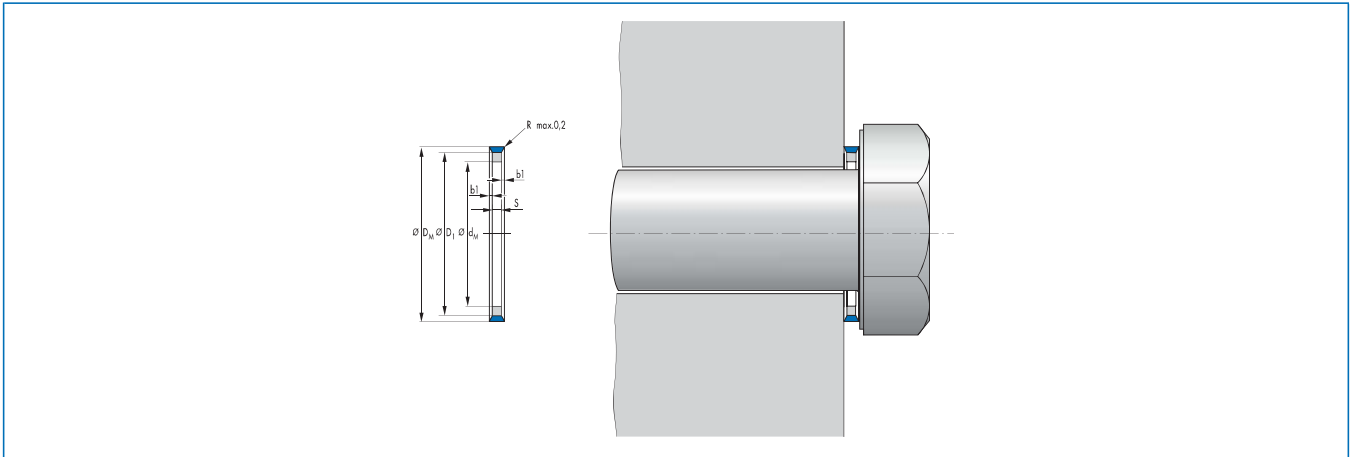


d_M	D_M	S	d_1	Steel	for metric threads	Material	Article No.	
3,8	6	1	3	SPCC	3	72 NBR M99041	453886	●
4,3	6	1	3,5	SPCC	3,5	72 NBR M99041	453887	●
5,4	8	1	4	SPCC	4	72 NBR M99041	453888	●
5,8	9	1	5	SPCC	5	72 NBR M99041	453889	●
7,4	10	1	6	SPCC	6	72 NBR M99041	453890	●
8,4	13	1,5	8	SPCC	8	75 FKM M99104	468543	○
10,7	16	1,5	10	SPCC	10	72 NBR M99041	459746	●
17,4	24	1,5	14	SPCC	14	75 FKM M99104	467330	○
28,7	36,5	2	25	SPCC	25	72 NBR M99041	452106	●

● Available from stock ○ On request: Tool is available, delivery at short notice



Article list UA



d_M	D_M	S	Steel	for metric threads	Material	Article No.	
10	16	1,5	SPCC	8	72 NBR M99041	372001	●
12	18	1,5	SPCC	10	72 NBR M99041	372003	●
12	18	1,5	SUS 304	10	72 NBR M99041	461075	●
13,3	21,6	1,5	SPCC	12	72 NBR M99041	460346	●
14,2	24	2	SPCC	14	72 NBR M99041	388328	●
16	22	1,5	SPCC	14	72 NBR M99041	372005	●
20,5	28	2	SPCC-1B	18	72 NBR M99041	461585	●

● Available from stock ○ On request: Tool is available, delivery at short notice

Plug & Seal Plug Connections

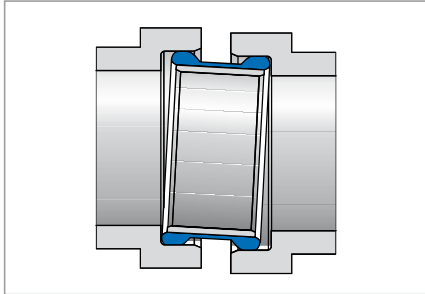


Fig. 1 Plug & Seal Plug Connections

Product description

Plug & Seal Plug Connections are pipe sections with a rubberised outer surface with sealing beads and stop dampers. They are used to establish a tight connection between two housings or units - and for secure transport of media such as oils, water or air.

As well as standard design Plug & Seal products, Simrit also offers individual solutions tailored to specific customer applications.

Product advantages

- Reliable sealing even under high pressures
- Simple, secure and cost-effective installation
- Acoustic and mechanical decoupling
- Reduced amount of maintenance through improved durability
- Compensation of middle offset
- Large tolerances in installation permissible
- Lower logistical complexity
- Integration of multiple functions into one component
- Low total costs.

Application

- Water and oil circulation or ventilation systems for combustion engines
- Engine auxiliaries, such as compressors, turbochargers or intake manifolds
- Manual and automatic transmissions
- Valves and pipe systems
- Heating and climate-control systems of plants and buildings.

Material

Tube	Precision steel (min. St 35, phosphatised) Aluminium, plastic on enquiry
Seal	EPDM, FKM rubber AEM, ACM, NBR, HNBR, VMQ on enquiry

Operating conditions

Operating pressure	max. 10 bar
---------------------------	-------------

Higher pressures on enquiry.

Elastomer	Media	Temperature	Possible Applications
EPDM	Not oil-resistant	-40 ... +140 °C	Cooling water, brake fluid, aqueous media
FKM	Oil-resistant	-10 ... +220 °C	Charge air with oil components, cooling water, fuels such as diesel, biodiesel, petrol
VMQ	Oil-resistant	-40 ... +220 °C	Charge air with oil components, intake air
AEM	Oil-resistant	-25 ... +150 °C	Charge air with oil components, engine oil
ACM	Oil-resistant	-25 ... +150 °C	Engine oil
NBR	Oil-resistant	-30 ... +90 °C	Gear oil
HNBR	Oil-resistant	-30 ... +140 °C	Gear oil, engine oil, diesel fuel

Fitting & installation

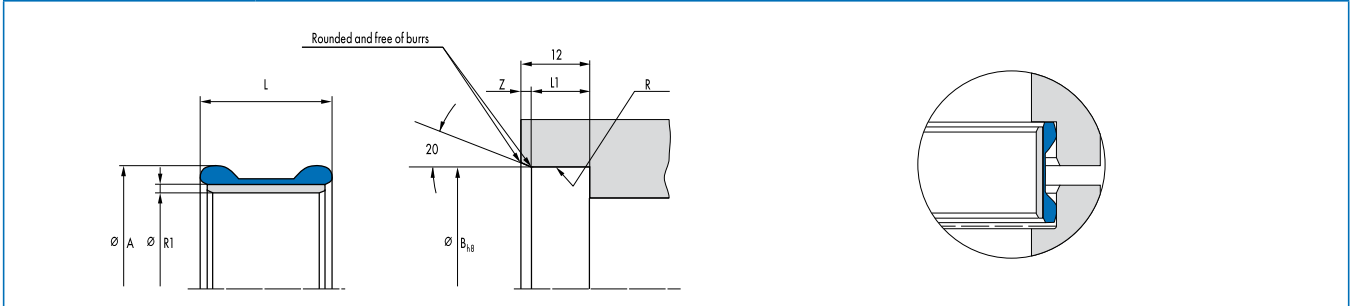
Specifications for finish of housing:

- Surface roughness R:
 - Static pressures $R_{max} < 16 \mu m$,
 - Pulsating pressures $R_{max} < 6 \mu m$
- Tolerance ISO H8
- Recommended lead-in chamfers:
 - Chamfer min. 20°,
 - Chamfer length (a) ca. 2 mm,
 - Edges free of burrs and rounded
- Depth of housing (t1): $\geq 7 \text{ mm}$
- Max. axial offset by consultation.



Article list

Wall thickness of support component (b):
 1,0 mm (Plug & Seal for 15, 20, 25 mm locating bore)
 1,5 mm (Plug & Seal for 30, 40 mm locating bore).



A ^{a)} (outside Ø) [mm]	B ^{b)} (locating bore to H8) [mm]	R ¹ (pipe inside Ø) [mm]	L (Plug & Seal length) [mm]					
			20	25	30	40	50	60
15,5	15	10	20	25	30	40	50	60
20,7	20	14	20	25	30	40	50	60
25,9	25	18	20	25	30	40	50	60
30,9	30	22	20	25	30	40	50	60
40,9	40	32	20	25	30	40	50	60

a) Minimum compression of 15%
 b) Recommended values, depending on elastomer support material: steel (bonded)
 Plug & Seal catalog program under construction, delivery time on enquiry, various materials combinations possible.

Merkel Cover Seal PU 82

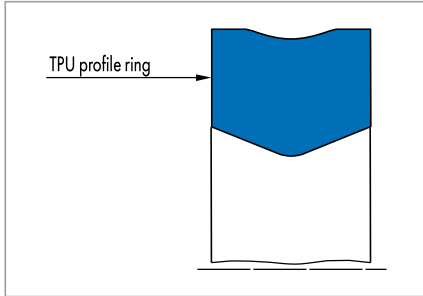


Fig. 1 Merkel Cover Seal PU 82

Product description

Single-piece, double-acting compact seal made from TPU for static sealing, inner sealing.

Product advantages

- Interchangeable for O-ring housings and O-ring with back-up ring
- High reliability
- Simple and secure installation
- Simplified stockkeeping
- Gas proofness.

Application

- Higher operating pressure (up to 60 MPa)
 - Gap for breathing (pipe expansion)
 - Short rate of increase of the pressure (end position damping)
 - Alternating in situ operating pressure
 - Nominal diameter up to 2000 mm.
- Cranes, construction machinery, industrial vehicles, forestry equipment, injection moulding machines, presses, wind power plants.

Material

Material	Code
Polyurethane	95 AU V142/94 AU 925

Operating conditions

Material	95 V142/94 AU 925
	Temperature range in °C
Hydraulic oils HL, HLP	-30 ... +110
HFA fluids	+5 ... +50
HFB fluids	+5 ... +50
HFC fluids	-30 ... +40
HFD fluids	-
Water	+5 ... +40
HETG (rapeseed oil)	-30 ... +60
HEES (synthetic ester)	-30 ... +80
HEPG (glycol)	-30 ... +50
Mineral greases	-30 ... +110
Pressure p in MPa	60

The specified values are maximum values and must not be applied simultaneously.

Surface quality

Surface roughness	R _a	R _{max}
Sliding surface	0,8 µm	3,2 µm
Groove base	1,6 µm	6,3 µm
Groove flanks	6,3 µm	20 µm
Lead-in chamfer*	0,8 µm	3,2 µm

* burr-free transition

Design notes

Please observe our general design notes in → Technical Manual.

Tolerance recommendation

For pressures up to 60 MPa

Nominal Ø d	Borehole	Shaft
≤800	H7	f7
>800	+0,0 +0,1	-0,05 -0,15

Fitting & installation

Careful fitting is a prerequisite for the correct function of the seal.
→ Technical Manual.



Mode of operation

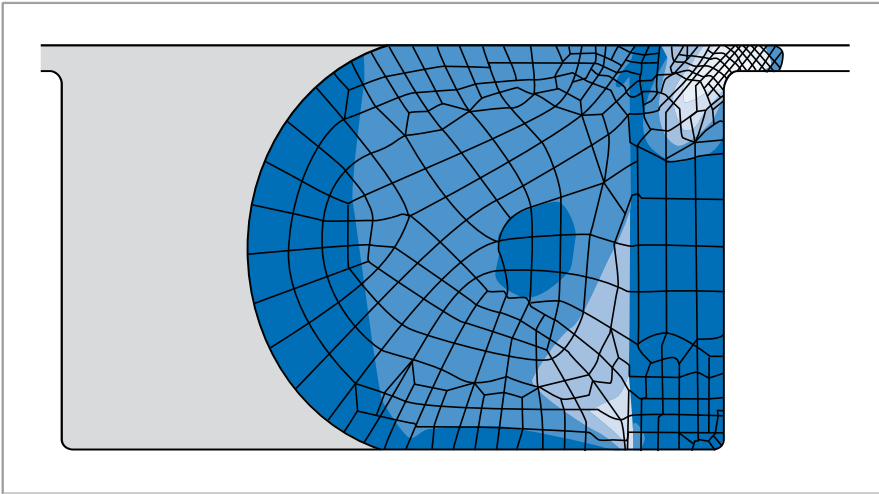


Fig. 2 O-ring with PTFE back-up ring at 40 MPa operating pressure

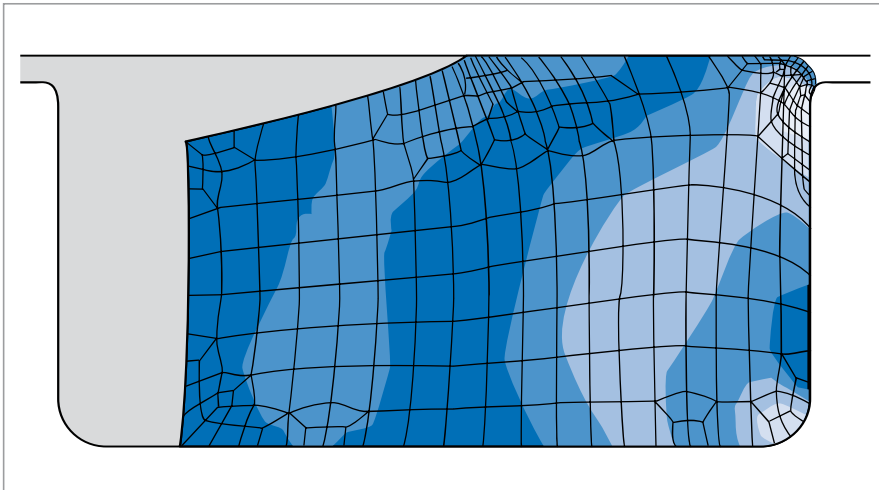
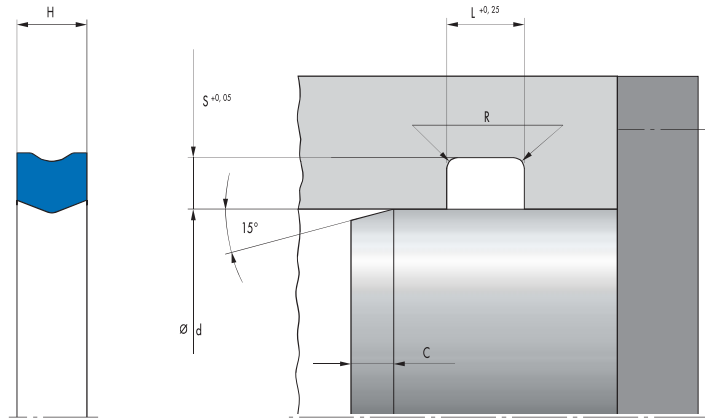


Fig. 3 Cover Seal at 40 MPa operating pressure

Article list



d	D	Profil	H	L	C	ISC O-Ring	Material	Article No.	
16	21	2,5	4,2	5	3	3	95 AU V142	24359080	●
16	22	3	4,3	5	3		95 AU V142	24287685	○
20	24	2	4,1	4,8	2,5	2,5	95 AU V142	49000714	○
25	29,2	2,1	4,1	5	3	2,62	95 AU V142	49014546	○
25	33	4	5,7	6,5	3,5		95 AU V142	24377325	○
30	34	2	4,1	4,8	2,5	2,5	95 AU V142	49000656	○
35	39,5	2,25	3,8	4,5	3	2,62	95 AU V142	24361201	○
40	46	3	2,4	3	3		95 AU V142	24354007	○
50	58	4	5,6	6,4	3,5		95 AU V142	24362417	○
55	60,4	2,7	5,3	6,2	3		95 AU V142	49000660	○
60	65,5	2,8	4,5	5,2	3		95 AU V142	24368756	●
70	75,6	2,8	5,3	6,2	3	3,53	95 AU V142	49004012	○
80	90	5	9,2	10,5	4,5		95 AU V142	49000500	○
90	110	10	10,8	12,3	8		95 AU V142	49018307	○
105	112,8	3,9	5	5,8	3,5		95 AU V142	24354748	○
110	117	3,5	4	4,7	3		95 AU V142	24367583	○
117	123,1	3,05	4,9	5,8	3,5		93 AU V142	24245387	○
120	140	10	10,8	12,3	8		95 AU V142	49018308	○
136	141,9	2,95	4,9	5,8	3,5		95 AU V142	24250882	○
140	145,9	2,95	4,9	5,8	3,5		95 AU V142	49009024	○
149,7	165,5	7,9	11,1	12,7	6,5		95 AU V142	49006190	○
160	168,6	4,3	7,8	9	4	5,33	95 AU V142	24370625	○
170	176,3	3,15	4,9	5,8	3,5		95 AU V142	24250879	○
180	188,6	4,3	7,8	9	4	5,33	95 AU V142	49002910	○
190	201,6	5,8	10,7	12,3	5		94 AU 925	49003461	○
200	208,6	4,3	7,8	9	4		95 AU V142	533208	○
210	221,6	5,8	10,7	12,3	5	6,99	94 AU 925	24379224	○
250	258,6	4,3	7,8	9	4		95 AU V142	49004491	○
270	278,6	4,3	7,8	9	4		94 AU 925	49016834	○
275	286,6	5,8	10,7	12,3	5		94 AU 925	529839	○
280	320	20	17,9	20	15		94 AU 925	49009097	○
300	311,6	5,8	10,7	12,3	5		95 AU V142	49006854	○
320	333,4	6,7	8,6	10	6		95 AU V142	24369684	○
330	341,6	5,8	10,7	12,3	5		94 AU 925	532554	○
360	371,6	5,8	10,7	12,3	5		94 AU 925	49005757	○
400	411,6	5,8	10,7	12,3	5		94 AU 925	49014554	○

● Available from stock ○ On request: Tool is available, delivery at short notice



d	D	Profil	H	L	C	ISC O-Ring	Material	Article No.	
440	451,6	5,8	10,7	12,3	5		94 AU 925	531798	○
540	553,4	6,7	9,3	10,8	6		94 AU 925	49001311	○
790	803,6	6,8	9,2	10,7	6		94 AU 925	527748	○
840	853,6	6,8	9,2	10,7	6		94 AU 925	527749	○
1120	1137	8,5	14,4	16,3	7		94 AU 925	533599	○
1155	1177,4	11,2	12,4	14	9		94 AU 925	24371571	○
1320	1337	8,5	14,4	16,3	7	10	94 AU 925	49001112	○

● Available from stock ○ On request: Tool is available, delivery at short notice

Merkel Cover Seal PU 83

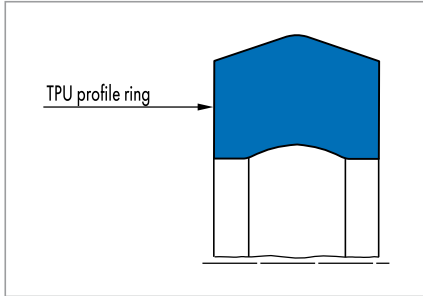


Fig. 1 Merkel Cover Seal PU 83

Product description

Single-piece, double-acting Merkel compact seal made from low temperature polyurethane for static sealing, outer sealing.

Product advantages

- Interchangeable for O-ring housings and O-ring with back-up ring
- High reliability
- Simple and secure installation
- Simplified stockkeeping
- Gas-proof height.

Application

- Higher operating pressure (up to 60 MPa)
 - Gap for breathing (pipe expansion)
 - Short rate of increase of the pressure (end position damping)
 - Alternating in situ operating pressure
 - Nominal diameter up to 2000 mm.
- Presses, steel industry, wind power plants, cranes, construction machinery, industrial vehicles, forestry equipment, injection moulding machines.

Material

Material	Code
Polyurethane	95 AU V142/94 AU 925

Operating conditions

Material	95 V142/94 AU 925
	Temperature range in °C
Hydraulic oils HL, HLP	-30 ... +110
HFA fluids	+5 ... +50
HFB fluids	+5 ... +50
HFC fluids	-30 ... +40
HFD fluids	-
Water	+5 ... +40
HETG (rapeseed oil)	-30 ... +60
HEES (synthetic esters)	-30 ... +80
HEPG (glycol)	-30 ... +50
Mineral greases	-30 ... +110
Pressure p in MPa	60

The specified values are maximum values and must not be applied simultaneously.

Surface quality

Surface roughness	R _a	R _{max}
Sliding surface	0,8 µm	3,2 µm
Groove base	1,6 µm	6,3 µm
Groove flanks	6,3 µm	20,0 µm
Lead-in chamfer*	0,8 µm	3,2 µm

* burr-free transition

Design notes

Please observe our general design notes in → Technical Manual.

Tolerance recommendation

For pressures up to 60 MPa

Nominal Ø D	Borehole	Shaft
≤800	H7	f7
>800	+0,0 +0,1	-0,05 -0,15

Fitting & installation

Careful fitting is a prerequisite for the correct function of the seal.
→ Technical Manual.



Mode of operation

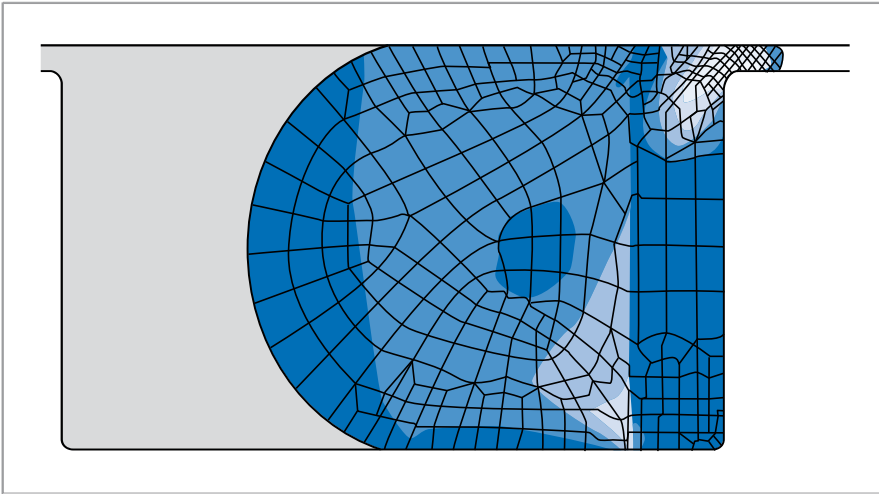


Fig. 2 O-ring with PTFE back-up ring at 40 MPa operating pressure

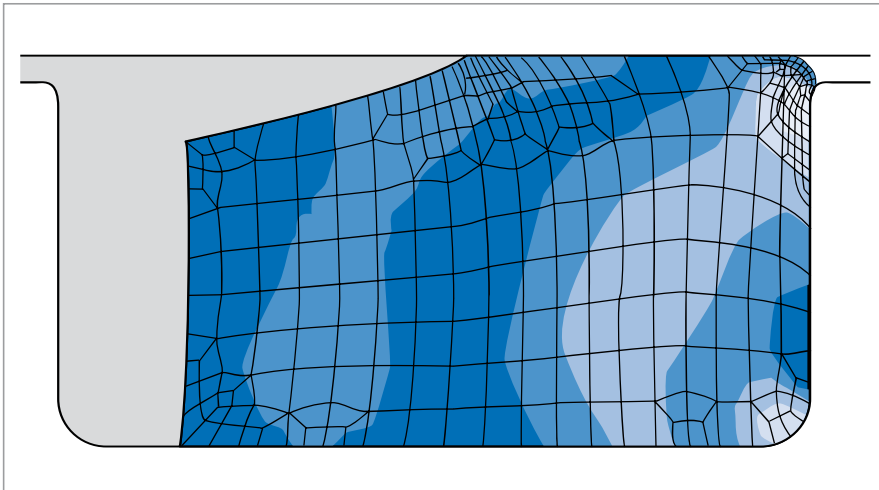
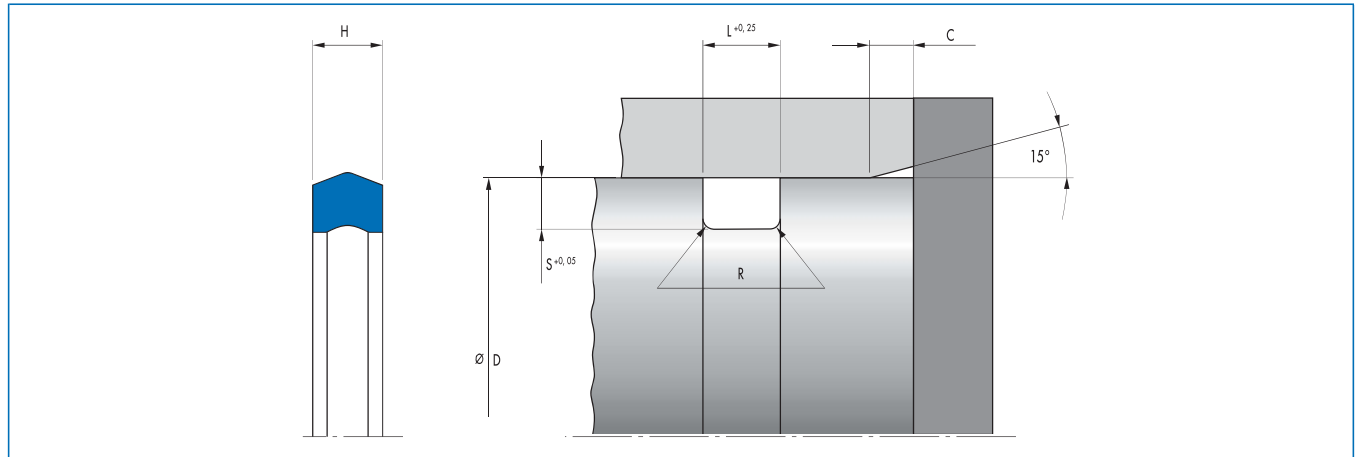


Fig. 3 Cover Seal at 40 MPa operating pressure

Article list



d	D	Profil	H	L	C	ISC O-Ring	Material	Article No.	
40	32,8	3,6	2,8	3,4	3		95 AU V142	24367566	●
50	42,2	3,9	5	5,8	3,5		95 AU V142	24334142	●
50	44,4	2,8	5,3	6,2	3,5	3,53	95 AU V142	532203	○
60	52,2	3,9	5	5,8	3,5		95 AU V142	24327617	●
60	54	3	5,3	6,2	3,5		95 AU V142	49001027	○
60	54,6	2,7	5,5	6,5	3,5		95 AU V142	24380802	●
65	57,2	3,9	5	5,8	3,5		95 AU V142	24327636	●
70	64,4	2,8	5,2	6,2	3,5	3,53	95 AU V142	532201	○
75	69,6	2,7	5,5	6,5	3,5		95 AU V142	24380803	●
81	73,2	3,9	5	5,8	3,5		95 AU V142	24295885	●
85	80,8	2,1	4,2	5	2,5	2,62	95 AU V142	24269861	○
90	80,1	5	6,7	7,8	4		95 AU V142	24362668	●
95	86,4	4,3	7,8	9	4	5,33	94 AU 925	49018330	○
95,5	87,7	3,9	5	5,8	3,5		95 AU V142	24293063	○
100	90	5	7,3	7,8	4		95 AU V142	24362292	●
100	91,4	4,3	7,8	9	4	5,33	95 AU V142	24379356	○
100	94,4	2,8	5,2	6,2	3,5	3,53	95 AU V142	532202	○
105	95,1	5	6,7	7,8	4		95 AU V142	24359847	●
110	101,4	4,3	7,8	9	4	5,33	95 AU V142	24380871	○
115	105,1	5	6,7	7,8	4		95 AU V142	24355287	●
122	115,6	3,2	5,7	6,8	4	4	95 AU V142	49001025	○
125	115,1	5	6,7	7,8	4		95 AU V142	24355288	●
125	116,4	4,3	7,8	9	4	5,33	95 AU V142	24379551	○
130	120,8	4,6	4,2	5	4		95 AU V142	24311962	○
130	121,4	4,3	7,8	9	4	5,33	95 AU V142	528353	○
140	130,4	4,8	6,6	7,7	4		95 AU V142	24362518	○
140	134,1	3	4,9	5,9	3,5		95 AU V142	24245392	●
145	135	5	7,3	8,4	4,5	5,7	95 AU V142	24359031	○
150	140,4	4,8	6,6	7,7	4		95 AU V142	24367348	●
150	141,9	4,1	8	9,2	3,5		95 AU V142	24348854	○
165	159,2	2,9	4,9	5,9	3,5		95 AU V142	24250883	○
180	170	5	7,3	8,4	4,5	5,7	95 AU V142	24378895	○
180	174,4	2,8	5,2	6,2	3,5	3,53	95 AU V142	49001429	○
192	185,9	3,1	4,9	5,9	4		95 AU V142	24250878	○
200	191,4	4,3	7,8	9	4	5,33	95 AU V142	49004492	○
200	193,9	3,1	4,9	5,9	4		95 AU V142	24250880	○

● Available from stock ○ On request: Tool is available, delivery at short notice



d	D	Profil	H	L	C	ISC O-Ring	Material	Article No.	
225	216,4	4,3	7,8	9	4	5,33	95 AU V142	531563	○
240	228,4	5,8	10,7	12,3	5	6,99	95 AU V142	24375294	○
240	231,4	4,3	7,8	9	4	5,33	95 AU V142	24360083	○
242	236	3	4,9	5,9	3,5		95 AU V142	24245390	○
265	253,4	5,8	10,7	12,3	5,5	6,99	95 AU V142	49000175	○
288	282	3	4,9	5,9	4		95 AU V142	24250877	○
480	463	8,5	14,4	16,3	7	10	94 AU 925	49004706	○
660	643	8,5	14,4	16,3	7	10	94 AU 925	49012006	○
730	715	7,5	10,7	12,2	6	8,4	94 AU 925	24360742	○
810	793	8,5	14,4	16,3	7	10	94 AU 925	49015798	○
813	830	8,5	15,6	16,3	7	10	94 AU 925	24361263	○
860	843	8,5	14,4	16,3	7	10	94 AU 925	49015799	○
960	943	8,5	14,4	16,3	7	10	94 AU 925	49012180	○

● Available from stock ○ On request: Tool is available, delivery at short notice

Merkel Grafiflex® Cover Seal

Product description

Merkel Grafiflex cover seals are supplied as pre-pressed rings and are proven in self-sealing covers, e.g. in large valves and in high-pressure water pre-heaters.

Product advantages

Merkel Grafiflex stays elastic even with continually varying temperature and pressure up to 200 N/mm² surface pressure. It correctly bridges gap widths on large, self-sealing covers up 0,3 mm. Larger gaps are controlled by Merkel Grafiflex using springs made of material 1.4571 integrated into the corners of the packing rings by pressing.

Application

Valves.

Operating conditions

Operating pressure	Temperature	pH value
1000 bar	-200 ... +550 °C ¹⁾	0 ... 14
	-200 ... +700 °C ²⁾	
	-200 ... +2500 °C ³⁾	

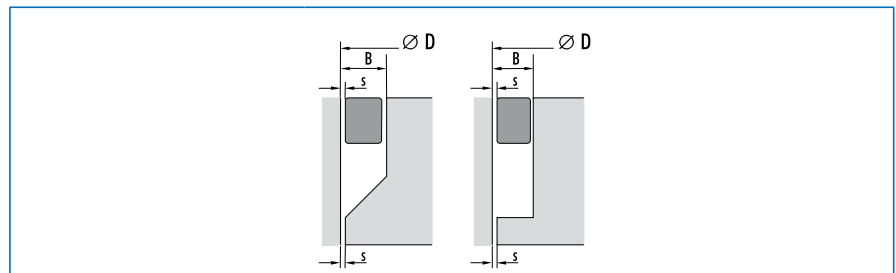
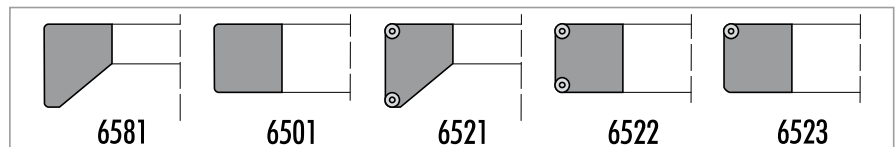
¹⁾ the majority of media and air

²⁾ steam

³⁾ inert gas

Media

Hot water, feed water, steam, heat transfer oil, hydro-carbons and many other media. Exceptions: strongly oxidising media.



Ø D	B	S (centr.)
350	20	0,8
350	>20	1,2
>350	20	0,8
>350	25	1,2
>350	>25	1,5

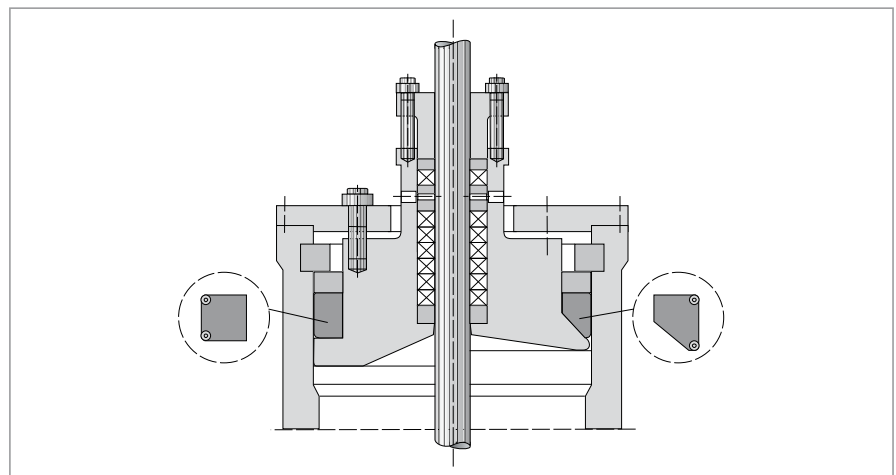


Fig. 1



Merkel Cover Lid Seal Type 6324

Product description

The Merkel Cover Lid Seal Type 6324 consists of a concentric hose braid and an optional elastomer core.

The elastomer core guarantees a constant sealing force over the entire service life. This is ideal for static cover seals with a high number of open/close cycles. The outer braid provides good wear protection and protects against attacks by chemicals.

Product advantages

- Low leakage
- Increased elasticity and spring back
- Good chemical resistance.

Application

Cover and housing seals, tank covers, manholes, filters, dryers, chemical mixer housings, rotary valves, rotary furnaces.

Material

Yarn	Elastomer core	Impregnation
PTFE	EPDM, MVQ	PTFE

Operating conditions

Operating pressure	Temperature	Speed	pH value
10 bar	-30 ... +250 °C	2 m/s*	0 ... 14

* depending on material combination

Sealing Cover GA, GSA

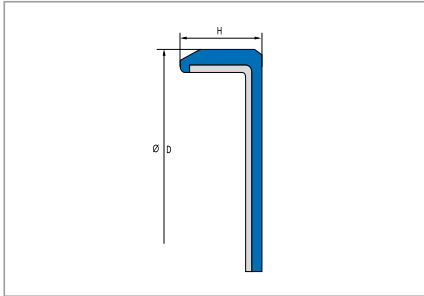


Fig. 1 Sealing Cover GA

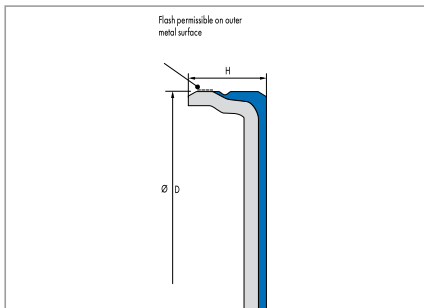


Fig. 2 Sealing Cover GSA

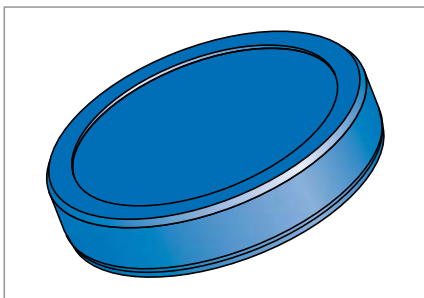


Fig. 3 Sealing Cover GA – Top view

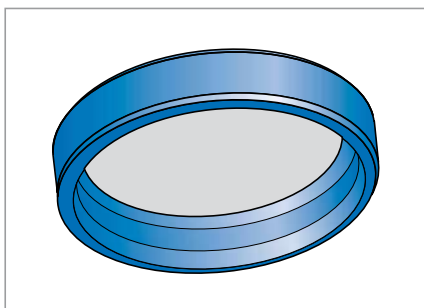


Fig. 4 Sealing Cover GA – Bottom view

Product description

- GA (normal design, rubber outside): sealing cover with vulcanised metal inserts made of sheet steel
- GSA (special design, rubber/steel outside): sealing cover with vulcanised metal inserts made of sheet steel with metal seat (H8).

Product advantages

- Secure sealing to the housing bore, even with increased roughness of the bore, higher thermal expansion and split housings
- Very stable construction
- Can be painted
- Variety of standard versions.

Material

Sealing cover for the static sealing of boreholes in housings with press fitting e.g. shaft pass through walls in gearbox housings.

Material

Acrylonitrile-butadiene rubber

Designation	75 NBR 99004
Colour	Black
Hardness	approx. 75 Shore A
Metal insert	unalloyed steel DIN EN 10139 (DIN 1624)

Sealing covers made of other materials and in other dimensions available on enquiry.

Operating conditions

Media	All common mineral oils
Temperature	-40 ... +100 °C

Fitting & installation

Design of locating bore

Tolerance	ISO H8
Roughness type GA	R _{max} ≤ 25 µm R _a = 1,6 ... 6,3 µm R _z = 10 ... 25 µm
Roughness type GSA	R _{max} ≤ 16 µm R _a = 0,8 ... 3,2 µm R _z = 6,3 ... 16 µm



Article list

D	H	Material	Type	Article No.	
19	7	75 NBR M99004	GA	506544	●
22	4	75 NBR M99004	GA	456944	●
22	5	75 NBR M99004	GSA	506567	●
22	8	75 NBR M99004	GA	426125	○
24	7	75 NBR M99004	GA	421453	○
28	4	75 NBR M99004	GA	506547	●
28	7	75 NBR M99004	GA	506548	○
28	7	75 NBR M99004	GSA	506568	●
30	5	75 NBR M99004	GA	506549	●
30	8	75 NBR M99004	GSA	506685	●
32	7	75 NBR M99004	GA	506550	●
35	7	75 NBR M99004	GA	450889	●
35	8	75 NBR M99004	GSA	506569	●
37	5	75 NBR M99004	GA	506551	●
37	7	75 NBR M99004	GSA	506570	●
40	7	75 NBR M99004	GA	452807	●
42	7	75 NBR M99004	GSA	506572	●
42	9,5	75 NBR M99004	GSA	506686	●
45	7	75 NBR M99004	GA	506552	●
47	7	75 NBR M99004	GA	506554	●
47	7	75 NBR M99004	GSA	506573	●
47	10	75 NBR M99004	GSA	506687	●
52	7	75 NBR M99004	GA	414626	●
52	7	75 NBR M99004	GSA	506574	●
52	10	75 NBR M99004	GSA	506575	●
55	10	75 NBR M99004	GA	450892	○
55	10	75 NBR M99004	GSA	503418	●
62	7	75 NBR M99004	GA	506556	●
62	8	75 NBR M99004	GSA	440418	●
62	10	75 NBR M99004	GA	506558	○
72	9	75 NBR M99004	GSA	506576	●
72	10	75 NBR M99004	GA	506559	●
80	10	75 NBR M99004	GA	506561	●
80	12	75 NBR M99004	GSA	506577	●
85	10	75 NBR M99004	GA	506562	●
90	10	75 NBR M99004	GA	506563	●
90	12	75 NBR M99004	GSA	506578	●
100	10	75 NBR M99004	GA	506564	●
100	12	75 NBR M99004	GSA	506579	●

● Available from stock ○ On request: Tool is available, delivery at short notice

Merkel Grafiflex® 6501

Product description

Merkel Grafiflex is characterised by the highest level of chemical resistance and temperature resistance as well as an excellent sealing effect and persistent elasticity. Regardless of temperature cycle, there is no cold flow, shrinkage or ageing of the material. Merkel Grafiflex meets the purity requirements for seals in nuclear power station valves (content of soluble chlorides <20 ppm).

Merkel Grafiflex rings

Compression moulded Merkel Grafiflex rings are supplied with a density between 1,4 and 1,85 g/cm³.

Merkel Grafiflex Strip

Merkel Grafiflex Strip with crosshatch surface pattern is used to make rings in the event of repairs. The Grafiflex material is approved for use with gaseous oxygen, drinking water and for the food processing industry. Like Grafiflex 6509, it is also available with corrosion inhibitor.

For reworked valves with large gap dimensions, the use of Merkel Grafiflex with Merkel Carbosteam 6550 endrings is recommended.

Product advantages

- Very high temperature and chemical resistance
- Excellent sealing effect and constant elasticity
- Fast delivery times without additional tool costs.

Application

Valves.

Operating conditions

Operating pressure	Temperature	pH value
1000 bar	-200 ... +450 °C ¹⁾	0 ... 14
	-200 ... +700 °C ²⁾	
	-200 ... +2500 °C ³⁾	

¹⁾ the majority of media and air

²⁾ steam

³⁾ inert gas

Media

Hot water, feed water, steam, heat transfer oil, hydro-carbons and many other media. Exceptions: strongly oxidising media.



Merkel Endless Packing Rings

Product description

Simrit manufactures endless packing rings in a whole variety of materials and dimensions.

The sealing rings consist of a concentric hose braid and an optional elastomer core.

The elastomer core guarantees a constant sealing force over the entire service life. This is ideal for static cover seals with a high number of open/close cycles. The outer braid provides good wear protection and protects against attacks by chemicals.

Endless packing rings can also be used for many applications with minor active movements.

Various yarn, core and impregnation combinations offer the ideal seal for a whole variety of applications.

Product advantages

- Low leakage
- Increased elasticity and spring back
- Good chemical resistance.

Application

Cover and housing seals, tank covers, manholes, filters, dryers, chemical mixer housings, rotary valves, rotary furnaces.

Material

Yarn	Yarn or elastomer core	Impregnation
Ramie, aramide, PTFE, PTFE/ graphite compounds, carbon	NR, EPDM, MVQ	PTFE, graphite

Operating conditions

Operating pressure	Temperature	Speed	pH value
10 bar*	-30 ... +550 °C*	2 m/s*	0 ... 14*

* depending on material combination

Catalog Overview

**Clearly laid out and useful:
the new Simrit catalog for
individual offerings**

Quickly and clearly find exactly the right product for your application. Simrit now offers you for every product range a complete reference source for especially easy ordering. Along with the detailed list of items, our catalogs provide valu-

able information on design types, important services and things worth knowing about technology and applications.

Simply order our catalog or Technical Manual now at www.simrit.com.

Simmerrings and Rotary Seals



Seals for Fluid Power



O-Rings and Static Seals



Special Sealing Products



Vibration Control



Technical Manual



Simrit Service Centers and Simrit Partners Worldwide

Europe	Telephone	Fax	E-mail
Austria	+43 (0) 72 42 47 36 10	+43 (0) 72 42 47 36 120	marchtrenk@simrit.at
Belarus	+375 29 645 10 98	+375 17 295 10 98	info@simrit.by
Belgium	+33 (0) 3 20 61 22 64	+33 (0) 3 20 61 22 68	belux@simrit.fr
Czech Republic	+420 2 71 72 21 87	+420 2 71 72 35 63	simrit@simrit.cz
Denmark	+45 (0) 44 92 18 33	+45 (0) 44 92 25 20	info@simrit.dk
Finland	+358 (0) 94 52 01 80	+358 (0) 94 52 01 822	info@simrit.fi
France	+33 (0) 3 85 29 30 00	+33 (0) 3 85 29 30 87	simrit@simrit.fr
Germany	+49 (0) 18 05 74 67 48	+49 (0) 18 03 74 67 48	info@simrit.de
Great Britain	+44 (0) 14 55 20 44 44	+44 (0) 14 55 20 44 55	info@simrit.com
Hungary	+36 1 239 31 40	+36 1 239 31 43	info@simrit.hu
Italy	+39 045 85 17 600	+39 045 85 17 650	vendite@corcos-simrit.it
Norway	+47 64 83 01 70	+47 64 83 01 71	info@simrit.no
Poland	+48 (0) 2 28 33 77 16	+48 (0) 2 28 33 58 97	simrit@simrit.com.pl
Portugal	+34 93 573 87 08	+34 93 570 49 65	simrit.iberica@simrit.es
Rumania	+40 (0) 2 68 32 01 59	+40 (0) 2 68 32 55 90	simrit.brasov@simrit.ro
Russia	+7 495 380 06 50	+7 495 380 06 51	info@simrit.ru
Slovakia	+421 85 44 83 14 59	+421 85 44 83 14 59	info@simrit.sk
Spain	+34 93 573 87 08	+34 93 570 49 65	simrit.iberica@simrit.es
Sweden	+46 (0) 8 70 52 700	+46 (0) 8 83 81 63	info@simrit.se
Switzerland	+41 (0) 1 30 64 42 2	+41 (0) 1 30 27 00 2	info@simrit.ch
Turkey	+90 (0) 216 593 11 18	+90 (0) 216 593 11 18	info@simrit.de
Ukraine	+380 50 352 61 83	+380 44 236 05 43	info@simrit.com.ua

America	Telephone	Fax	E-mail
Brazil	+55 11 4072 8000	+55 11 4075 4635	simritsa@fngp.com
Mexico	+52 442 192 3200	+52 442 221 6319	rzni@fngp.com
USA	+1 (866) 274 6748	+1 (734) 354 5500	information@simrit.us

Asia	Telephone	Fax	E-mail
China	+86 21 50 36 69 00	+86 21 50 36 63 07	simrit@nfgc.com.cn
India	+91 (0) 11 28 11 79 60	+91 (0) 11 28 11 79 93	sales@sfnindia.com
Japan	+81 45 548 1123	+81 45 545 4759	yosinaba@nok.co.jp
Singapore	+65 (6) 265 32 33	+65 (6) 265 52 42	nacmail@nok.com.sg

Further Simrit Service Centers and Simrit Distributors can be found at www.simrit.com.



www.simrit.com