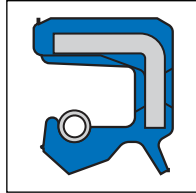


# Simmerring® Standard Range

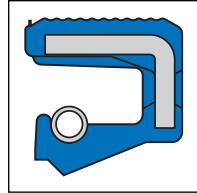
## DIN A/AS



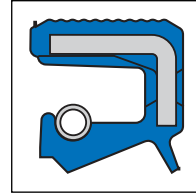
BAUX2



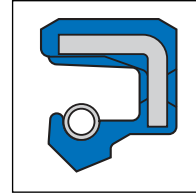
BAUSLX2



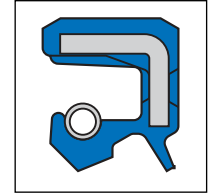
BAFUDX7



BAFUDSLX7



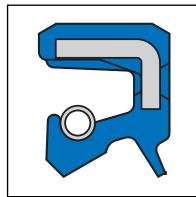
BAU



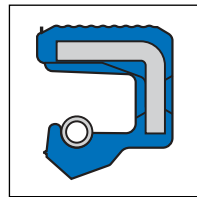
BAUSL



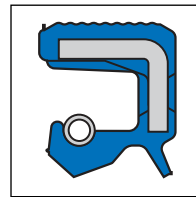
BA



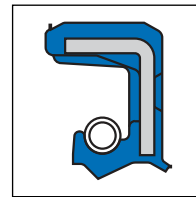
BASL



BAUMX7

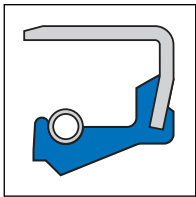


BAUMSLX7

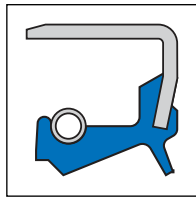


BABSL

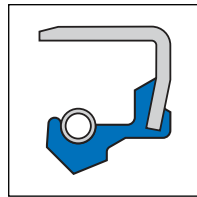
## DIN B/BS



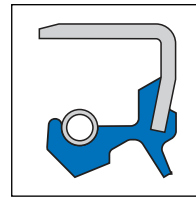
B1FUD



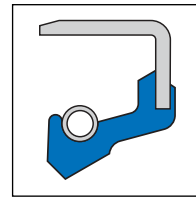
B1FUDSL



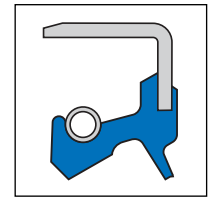
B1U



B1USL

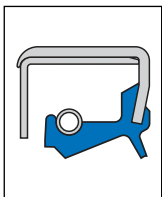


B1

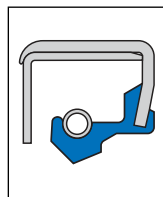


B1SL

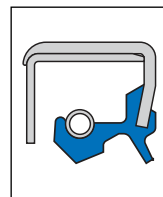
## DIN C/CS



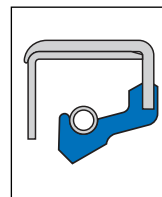
B2FUDSL



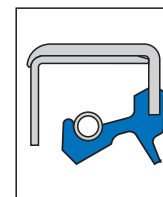
B2U



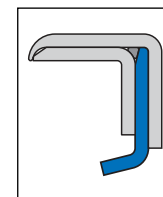
B2USL



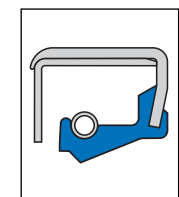
B2



B2SL

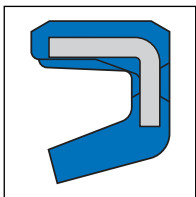


B2PT

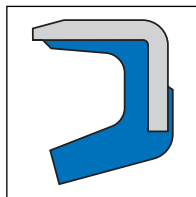


B2FUD

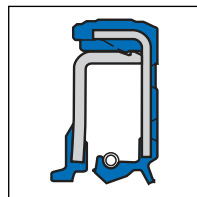
## Special Types



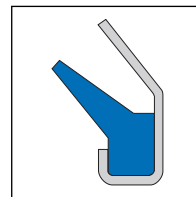
BAOF



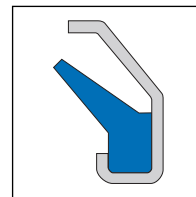
B1OF



MSS 1



MSC 01

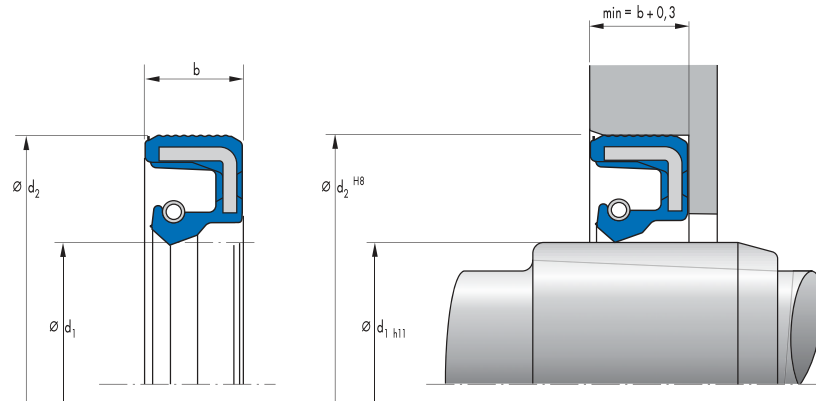


MSC 02

Simmerring  
Cassette Seals  
→ page 253

Simmerring  
Combi Seals  
→ page 265

Article list

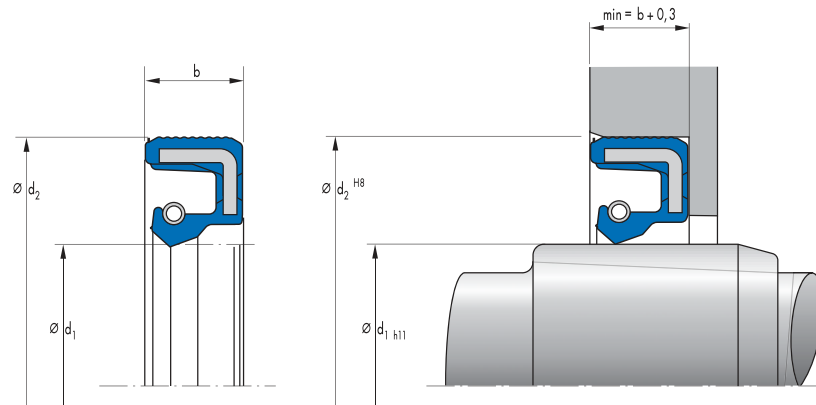


| d <sub>1</sub> | d <sub>2</sub> | b    | DIN 3761 | Outer surface | Pressure       | Material   | Type     | Article No. |   |
|----------------|----------------|------|----------|---------------|----------------|------------|----------|-------------|---|
| 3,00           | 10,00          | 6,00 | A        | smooth        | un-pressurised | 72 NBR 902 | BAOF     | 6317        | ● |
| 4,00           | 12,00          | 6,00 | A        | smooth        | 0,05           | 72 NBR 902 | BA       | 6325        | ● |
| 4,00           | 16,00          | 7,00 | A        | smooth        | 0,05           | 72 NBR 902 | BA       | 1931        | ● |
| 5,00           | 15,00          | 6,00 | A        | smooth        | 0,02           | 72 NBR 902 | BAFUD    | 405057      | ● |
| 5,00           | 16,00          | 7,00 | B        | metal         | 0,05           | 72 NBR 902 | B1U      | 19267       | ● |
| 5,00           | 19,00          | 5,00 | A        | smooth        | 0,05           | 72 NBR 902 | BA       | 32513       | ● |
| 5,00           | 22,00          | 8,00 | A        | smooth        | 0,05           | 72 NBR 902 | BA       | 6335        | ● |
| 6,00           | 16,00          | 5,00 | A        | smooth        | 0,05           | 72 NBR 902 | BA       | 12019071    | ● |
| 6,00           | 16,00          | 6,00 | A        | grooved       | 0,05           | 75 FKM 585 | BAUMX7   | 406308      | ● |
| 6,00           | 16,00          | 7,00 | B        | metal         | 0,05           | 75 FKM 585 | B1       | 18256       | ○ |
| 6,00           | 16,00          | 7,00 | B        | metal         | 0,02           | 72 NBR 902 | B1FUD    | 470997      | ● |
| 6,00           | 16,00          | 7,00 | A        | smooth        | 0,05           | 72 NBR 902 | BA       | 6341        | ● |
| 6,00           | 19,00          | 6,00 | A        | smooth        | 0,05           | 72 NBR 902 | BAU      | 6344        | ● |
| 6,00           | 22,00          | 7,00 | AS       | smooth        | 0,02           | 72 NBR 902 | BAFUDSL  | 12011104    | ● |
| 6,00           | 22,00          | 7,00 | A        | grooved       | 0,05           | 75 FKM 585 | BAUMX7   | 400296      | ● |
| 6,00           | 22,00          | 7,00 | A        | grooved       | 0,02           | 72 NBR 902 | BAFUDX7  | 527276      | ○ |
| 6,00           | 22,00          | 7,00 | A        | grooved       | 0,02           | 72 NBR 902 | BAFUDX7  | 6352        | ● |
| 7,00           | 16,00          | 7,00 | A        | smooth        | 0,05           | 75 FKM 595 | BAUM     | 343383      | ○ |
| 7,00           | 16,00          | 7,00 | A        | smooth        | 0,05           | 72 NBR 902 | BA       | 6365        | ● |
| 7,00           | 16,00          | 7,00 | B        | metal         | 0,05           | 72 NBR 902 | B1       | 7797        | ● |
| 7,00           | 22,00          | 6,00 | A        | smooth        | 0,05           | 72 NBR 902 | BA       | 6372        | ● |
| 7,00           | 22,00          | 7,00 | A        | grooved       | 0,05           | 75 FKM 585 | BAUMX7   | 412598      | ● |
| 7,00           | 22,00          | 7,00 | A        | smooth        | 0,05           | 72 NBR 902 | BA       | 6374        | ● |
| 8,00           | 14,00          | 6,00 | B        | metal         | un-pressurised | 72 NBR 902 | B1OF     | 419913      | ● |
| 8,00           | 16,00          | 7,00 | AS       | smooth        | 0,05           | 72 NBR 902 | BASL     | 409737      | ● |
| 8,00           | 16,00          | 7,00 | B        | metal         | 0,02           | 72 NBR 902 | B1FUD    | 428761      | ● |
| 8,00           | 16,00          | 7,00 | A        | smooth        | 0,05           | 72 NBR 902 | BA       | 7566        | ● |
| 8,00           | 18,00          | 5,00 | A        | smooth        | 0,05           | 72 NBR 902 | BA       | 6397        | ● |
| 8,00           | 20,00          | 6,00 | AS       | grooved       | 0,05           | 75 FKM 585 | BAUMSLX7 | 421497      | ○ |
| 8,00           | 20,00          | 8,00 | A        | smooth        | 0,05           | 72 NBR 902 | BA       | 6403        | ● |
| 8,00           | 22,00          | 6,00 | AS       | smooth        | *              | 75 FKM 595 | BABSL    | 12019990    | ● |
| 8,00           | 22,00          | 6,00 | AS       | smooth        | *              | 72 NBR 902 | BABSL    | 462581      | ● |
| 8,00           | 22,00          | 6,00 | A        | smooth        | 0,05           | 72 NBR 902 | BAU      | 6405        | ● |
| 8,00           | 22,00          | 7,00 | B        | metal         | 0,05           | 72 NBR 902 | B1U      | 19274       | ● |
| 8,00           | 22,00          | 7,00 | A        | grooved       | 0,05           | 75 FKM 585 | BAUMX7   | 406310      | ● |

● Available from stock    ○ On request: Tool is available, delivery at short notice    \* → Diagram 2, page 18

| d <sub>1</sub> | d <sub>2</sub> | b     | DIN 3761 | Outer surface | Pressure       | Material      | Type      | Article No. |   |
|----------------|----------------|-------|----------|---------------|----------------|---------------|-----------|-------------|---|
| 8,00           | 22,00          | 7,00  | A        | smooth        | 0,05           | 72 NBR 902    | BA        | 6412        | ● |
| 8,00           | 22,00          | 8,00  | AS       | grooved       | 0,05           | 75 FKM 585    | BAUMSLX7  | 468755      | ● |
| 8,00           | 22,00          | 8,00  | A        | smooth        | 0,05           | 72 NBR 902    | BA        | 6418        | ● |
| 8,00           | 24,00          | 7,00  | B        | metal         | 0,05           | 72 NBR 902    | B1        | 19276       | ● |
| 8,00           | 24,00          | 7,00  | A        | grooved       | 0,05           | 75 FKM 585    | BAUMX7    | 406311      | ● |
| 8,00           | 24,00          | 7,00  | A        | smooth        | 0,05           | 72 NBR 902    | BA        | 6421        | ● |
| 8,00           | 28,00          | 7,00  | B        | metal         | 0,05           | 72 NBR 902    | B1        | 19277       | ● |
| 9,00           | 17,00          | 4,50  | B        | metal         | 0,05           | 72 NBR 902    | B1        | 19279       | ● |
| 9,00           | 18,00          | 6,00  | A        | smooth        | 0,05           | 75 FKM 585    | BAUM      | 396104      | ○ |
| 9,00           | 18,00          | 6,00  | A        | smooth        | 0,05           | 72 NBR 902    | BA        | 6431        | ● |
| 9,00           | 19,00          | 5,00  | B        | metal         | 0,05           | 72 NBR 902    | B1U       | 19280       | ● |
| 9,00           | 20,00          | 6,00  | AS       | smooth        | *              | 72 NBR 902    | BABSL     | 80489       | ● |
| 9,00           | 22,00          | 7,00  | B        | metal         | 0,05           | 72 NBR 902    | B1U       | 19281       | ● |
| 9,00           | 22,00          | 7,00  | A        | smooth        | 0,05           | 72 NBR 902    | BA        | 6438        | ● |
| 9,00           | 24,00          | 7,00  | A        | smooth        | 0,05           | 72 NBR 902    | BAU       | 6443        | ● |
| 9,00           | 26,00          | 7,00  | A        | smooth        | 0,05           | 72 NBR 902    | BA        | 6445        | ● |
| 9,50           | 25,40          | 8,00  | A        | smooth        | 0,05           | 72 NBR 902    | BAU       | 6454        | ● |
| 10,00          | 15,00          | 3,00  | B        | metal         | un-pressurised | 72 NBR 902    | B1OF      | 129573      | ● |
| 10,00          | 16,00          | 4,00  | A        | smooth        | 0,02           | 72 NBR 902    | BAFUD     | 1200016     | ● |
| 10,00          | 16,00          | 4,00  | B        | metal         | un-pressurised | 72 NBR 902    | B1OF      | 20247       | ● |
| 10,00          | 16,00          | 4,00  | B        | metal         | 0,02           | 72 NBR 902    | B1FUD     | 477154      | ● |
| 10,00          | 18,00          | 4,00  | A        | smooth        | 0,02           | 72 NBR 902    | BAFUD     | 1200017     | ● |
| 10,00          | 18,00          | 6,00  | A        | smooth        | 0,02           | 72 NBR 902    | BAFUD     | 470999      | ● |
| 10,00          | 19,00          | 7,00  | A        | grooved       | 0,05           | 75 FKM 585    | BAUMX7    | 400287      | ● |
| 10,00          | 19,00          | 7,00  | B        | metal         | 0,02           | 72 NBR 902    | B1FUD     | 428763      | ● |
| 10,00          | 19,00          | 7,00  | A        | smooth        | 0,02           | 72 NBR 902    | BAFUD     | 471001      | ● |
| 10,00          | 19,00          | 7,00  | AS       | smooth        | 0,05           | 72 NBR 902    | BASL      | 6463        | ● |
| 10,00          | 20,00          | 6,00  | A        | smooth        | 0,05           | 72 NBR 902    | BA        | 6467        | ● |
| 10,00          | 22,00          | 6,00  | AS       | smooth        | *              | 72 NBR 902    | BABSL     | 2891        | ● |
| 10,00          | 22,00          | 6,00  | AS       | smooth        | *              | 75 FKM 595    | BABSL     | 418583      | ● |
| 10,00          | 22,00          | 7,00  | B        | metal         | 0,05           | 72 NBR 902    | B1U       | 19288       | ● |
| 10,00          | 22,00          | 7,00  | A        | grooved       | 0,02           | 72 NBR 902    | BAFUDX7   | 362172      | ● |
| 10,00          | 22,00          | 7,00  | A        | grooved       | 0,05           | 75 FKM 585    | BAUMX7    | 390099      | ● |
| 10,00          | 22,00          | 7,00  | C        | metal         | up to 1 MPa    | PTFE F56101   | B2PT      | 406518      | ● |
| 10,00          | 22,00          | 8,00  | C        | metal         | 0,05           | 72 NBR 902    | B2U       | 22674       | ● |
| 10,00          | 22,00          | 8,00  | A        | smooth        | 0,05           | 72 NBR 902    | BA        | 6485        | ● |
| 10,00          | 22,00          | 8,00  | AS       | smooth        | 0,05           | 72 NBR 902    | BASL      | 6486        | ● |
| 10,00          | 24,00          | 3,50  | A        | metal         | un-pressurised | 80 NBR 177458 | MSC 01    | 508511      | ● |
| 10,00          | 24,00          | 3,50  | A        | metal         | un-pressurised | 80 FKM 177459 | MSC 01    | 508559      | ● |
| 10,00          | 24,00          | 7,00  | B        | metal         | 0,05           | 72 NBR 902    | B1        | 19290       | ● |
| 10,00          | 24,00          | 7,00  | A        | grooved       | 0,05           | 75 FKM 585    | BAUMX7    | 412571      | ● |
| 10,00          | 24,00          | 7,00  | A        | smooth        | 0,05           | 72 NBR 902    | BA        | 6492        | ● |
| 10,00          | 26,00          | 5,00  | AS       | grooved       | 0,05           | 75 FKM 585    | BAUMSLX27 | 468756      | ● |
| 10,00          | 26,00          | 7,00  | B        | metal         | 0,05           | 72 NBR 902    | B1U       | 19291       | ● |
| 10,00          | 26,00          | 7,00  | AS       | smooth        | 0,05           | 72 NBR 902    | BASL      | 3360        | ● |
| 10,00          | 26,00          | 7,00  | A        | grooved       | 0,05           | 75 FKM 585    | BAUMX7    | 406315      | ● |
| 10,00          | 26,00          | 7,00  | A        | smooth        | 0,05           | 72 NBR 902    | BA        | 6501        | ● |
| 10,00          | 28,00          | 7,00  | A        | smooth        | 0,05           | 72 NBR 902    | BAU       | 6504        | ● |
| 10,00          | 30,00          | 10,00 | C        | metal         | 0,05           | 72 NBR 902    | B2U       | 22844       | ● |
| 10,00          | 30,00          | 10,00 | A        | smooth        | 0,05           | 72 NBR 902    | BA        | 6511        | ● |

● Available from stock    ○ On request: Tool is available, delivery at short notice    \* → Diagram 2, page 18

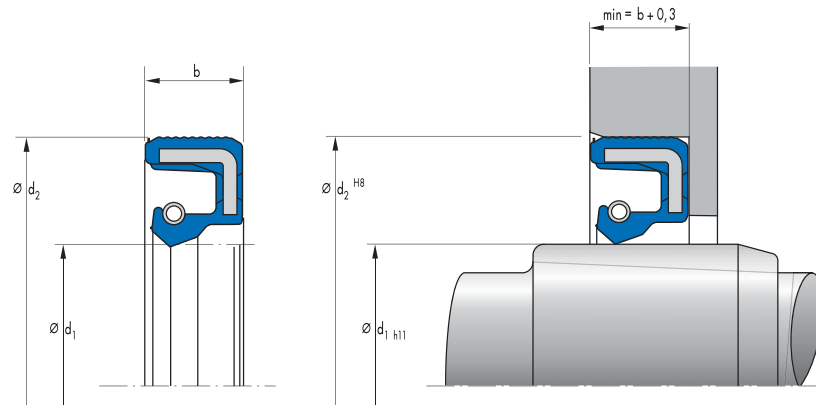


| $d_1$ | $d_2$ | b    | DIN 3761 | Outer surface | Pressure       | Material      | Type     | Article No. |   |
|-------|-------|------|----------|---------------|----------------|---------------|----------|-------------|---|
| 11,00 | 17,00 | 4,00 | A        | smooth        | 0,02           | 72 NBR 902    | BAFUD    | 12010767    | ● |
| 11,00 | 17,00 | 4,00 | B        | metal         | 0,05           | 72 NBR 902    | B1       | 32193       | ● |
| 11,00 | 22,00 | 7,00 | AS       | smooth        | *              | 72 NBR 902    | BABSL    | 12011513    | ● |
| 11,00 | 22,00 | 7,00 | B        | metal         | 0,05           | 72 NBR 902    | B1U      | 2487        | ● |
| 11,00 | 22,00 | 7,00 | A        | grooved       | 0,05           | 75 FKM 585    | BAUMX7   | 412600      | ● |
| 11,00 | 22,00 | 7,00 | A        | smooth        | 0,05           | 72 NBR 902    | BA       | 6518        | ● |
| 11,00 | 26,00 | 3,50 | A        | metal         | un-pressurised | 80 NB 177458  | MSC 01   | 508512      | ● |
| 11,00 | 26,00 | 3,50 | A        | metal         | un-pressurised | 80 FKM 177459 | MSC 01   | 508560      | ● |
| 11,00 | 26,00 | 7,00 | AS       | grooved       | 0,05           | 75 FKM 585    | BAUMSLX7 | 412558      | ● |
| 11,00 | 26,00 | 7,00 | A        | grooved       | 0,05           | 75 FKM 585    | BAUMX7   | 412566      | ● |
| 11,00 | 26,00 | 7,00 | A        | smooth        | 0,05           | 72 NBR 902    | BA       | 6528        | ● |
| 11,80 | 28,00 | 5,00 | AS       | grooved       | 0,05           | 75 FKM 585    | BAUMSLX7 | 49002913    | ○ |
| 12,00 | 18,00 | 4,50 | BS       | metal         | 0,02           | 72 NBR 902    | B1FUDSL  | 379715      | ● |
| 12,00 | 18,00 | 5,50 | B        | metal         | un-pressurised | 72 NBR 902    | B1OF     | 19578       | ● |
| 12,00 | 19,00 | 5,00 | A        | smooth        | 0,05           | 72 NBR 902    | BA       | 6550        | ● |
| 12,00 | 20,00 | 5,00 | B        | metal         | 0,05           | 72 NBR 902    | B1       | 20296       | ● |
| 12,00 | 20,00 | 6,00 | A        | grooved       | 0,05           | 75 FKM 585    | BAUMX7   | 425209      | ● |
| 12,00 | 20,00 | 6,00 | A        | grooved       | 0,05           | 75 FKM 585    | BAUMX7   | 49036882    | ● |
| 12,00 | 20,00 | 7,00 | A        | smooth        | 0,02           | 72 NBR 902    | BAFUD    | 12010771    | ● |
| 12,00 | 22,00 | 4,00 | A        | grooved       | 0,02           | 72 NBR 902    | BAFUDX7  | 436286      | ● |
| 12,00 | 22,00 | 5,00 | A        | grooved       | 0,05           | 75 FKM 585    | BAUMX27  | 49010681    | ● |
| 12,00 | 22,00 | 6,00 | AS       | smooth        | *              | 75 FKM 595    | BABSL    | 418598      | ● |
| 12,00 | 22,00 | 6,00 | AS       | smooth        | *              | 72 NBR 902    | BABSL    | 531222      | ● |
| 12,00 | 22,00 | 6,50 | A        | smooth        | 0,05           | 72 NBR 902    | BA       | 6555        | ● |
| 12,00 | 22,00 | 7,00 | B        | metal         | 0,05           | 72 NBR 902    | B1       | 19299       | ● |
| 12,00 | 22,00 | 7,00 | A        | grooved       | 0,05           | 75 FKM 585    | BAUMX7   | 400278      | ● |
| 12,00 | 22,00 | 7,00 | C        | metal         | up to 1 MPa    | PTFE F56101   | B2PT     | 406519      | ● |
| 12,00 | 22,00 | 7,00 | AS       | grooved       | 0,05           | 75 FKM 585    | BAUMSLX7 | 468757      | ● |
| 12,00 | 22,00 | 7,00 | A        | smooth        | 0,05           | 72 NBR 902    | BAU      | 6564        | ● |
| 12,00 | 22,00 | 8,00 | C        | metal         | 0,05           | 72 NBR 902    | B2       | 23494       | ● |
| 12,00 | 24,00 | 6,00 | AS       | smooth        | *              | 75 FKM 595    | BABSL    | 325246      | ● |
| 12,00 | 24,00 | 6,00 | A        | grooved       | 0,05           | 75 FKM 585    | BAUMX7   | 429608      | ● |
| 12,00 | 24,00 | 6,00 | AS       | smooth        | *              | 72 NBR 902    | BABSL    | 7100620     | ● |
| 12,00 | 24,00 | 6,50 | A        | smooth        | 0,05           | 72 NBR 902    | BA       | 6572        | ● |
| 12,00 | 24,00 | 7,00 | AS       | smooth        | *              | 72 NBR 902    | BABSL    | 12011515    | ● |
| 12,00 | 24,00 | 7,00 | A        | grooved       | 0,05           | 75 FKM 585    | BAUMX7   | 406316      | ● |

● Available from stock    ○ On request: Tool is available, delivery at short notice    \* → Diagram 2, page 18

| d <sub>1</sub> | d <sub>2</sub> | b     | DIN 3761 | Outer surface | Pressure       | Material      | Type     | Article No. |   |
|----------------|----------------|-------|----------|---------------|----------------|---------------|----------|-------------|---|
| 12,00          | 24,00          | 7,00  | A        | smooth        | 0,05           | 72 NBR 902    | BA       | 6575        | ● |
| 12,00          | 24,00          | 7,00  | B        | metal         | 0,05           | 72 NBR 902    | B1       | 7809        | ● |
| 12,00          | 25,00          | 5,00  | A        | smooth        | 0,05           | 75 FKM 585    | BAUM     | 378263      | ● |
| 12,00          | 25,00          | 5,00  | A        | smooth        | 0,05           | 72 NBR 902    | BAUX2    | 6582        | ● |
| 12,00          | 25,00          | 6,00  | A        | smooth        | 0,05           | 72 NBR 902    | BAU      | 49016141    | ● |
| 12,00          | 25,00          | 7,00  | C        | metal         | up to 1 MPa    | PTFE F56101   | B2PT     | 406523      | ● |
| 12,00          | 25,00          | 8,00  | A        | smooth        | 0,05           | 72 NBR 902    | BAU      | 6590        | ● |
| 12,00          | 26,00          | 3,50  | A        | metal         | un-pressurised | 80 NBR 177458 | MSC 01   | 508513      | ● |
| 12,00          | 26,00          | 3,50  | A        | metal         | un-pressurised | 80 FKM 177459 | MSC 01   | 508561      | ● |
| 12,00          | 26,00          | 8,00  | A        | smooth        | 0,05           | 72 NBR 902    | BAU      | 6598        | ● |
| 12,00          | 28,00          | 5,00  | AS       | smooth        | 0,05           | 72 NBR 902    | BAUSLX2  | 526251      | ● |
| 12,00          | 28,00          | 7,00  | AS       | smooth        | 0,02           | 72 NBR 902    | BAFUDSL  | 12011106    | ● |
| 12,00          | 28,00          | 7,00  | AS       | grooved       | 0,05           | 75 FKM 585    | BAUMSLX7 | 412560      | ● |
| 12,00          | 28,00          | 7,00  | AS       | grooved       | 0,05           | 75 FKM 585    | BAUMSLX7 | 476909      | ○ |
| 12,00          | 28,00          | 7,00  | A        | smooth        | 0,05           | 72 NBR 902    | BAUX2    | 49004096    | ● |
| 12,00          | 28,00          | 7,00  | AS       | grooved       | 0,05           | 75 FKM 585    | BAUMSLX7 | 522775      | ○ |
| 12,00          | 28,00          | 7,00  | B        | metal         | 0,05           | 72 NBR 902    | B1       | 7819        | ● |
| 12,00          | 30,00          | 5,00  | B        | metal         | un-pressurised | 72 NBR 902    | B1OF     | 8010        | ● |
| 12,00          | 30,00          | 7,00  | A        | smooth        | 0,05           | 72 NBR 902    | BA       | 2669        | ● |
| 12,00          | 30,00          | 7,00  | B        | metal         | 0,05           | 72 NBR 902    | B1       | 2673        | ● |
| 12,00          | 30,00          | 7,00  | A        | grooved       | 0,05           | 75 FKM 585    | BAUMX7   | 412668      | ● |
| 12,00          | 30,00          | 10,00 | C        | metal         | 0,05           | 72 NBR 902    | B2       | 22848       | ● |
| 12,00          | 30,00          | 10,00 | A        | smooth        | 0,05           | 72 NBR 902    | BA       | 6620        | ● |
| 12,00          | 30,00          | 12,00 | A        | smooth        | 0,05           | 72 NBR 902    | BA       | 6629        | ● |
| 12,00          | 32,00          | 5,00  | B        | metal         | 0,05           | 72 NBR 902    | B1       | 19303       | ● |
| 12,00          | 32,00          | 7,00  | B        | metal         | 0,05           | 72 NBR 902    | B1       | 19304       | ● |
| 12,00          | 32,00          | 7,00  | A        | smooth        | 0,05           | 72 NBR 902    | BAUX2    | 49004095    | ● |
| 12,00          | 32,00          | 7,00  | A        | grooved       | 0,05           | 75 FKM 585    | BAUMX7   | 525462      | ● |
| 12,00          | 32,00          | 7,00  | AS       | smooth        | *              | 72 NBR 902    | BABSL    | 62027       | ● |
| 12,00          | 32,00          | 10,00 | C        | metal         | 0,05           | 72 NBR 902    | B2U      | 22849       | ● |
| 12,00          | 32,00          | 10,00 | A        | smooth        | 0,05           | 72 NBR 902    | BA       | 6633        | ● |
| 12,00          | 35,00          | 10,00 | A        | smooth        | 0,05           | 72 NBR 902    | BAU      | 6635        | ● |
| 12,70          | 22,00          | 6,00  | A        | smooth        | 0,05           | 72 NBR 902    | BAU      | 6637        | ● |
| 13,00          | 20,00          | 4,00  | B        | metal         | 0,05           | 72 NBR 902    | B1       | 23833       | ● |
| 13,00          | 22,00          | 4,00  | A        | smooth        | 0,02           | 72 NBR 902    | BAFUD    | 12010781    | ● |
| 13,00          | 22,00          | 5,00  | B        | metal         | 0,05           | 72 NBR 902    | B1       | 19306       | ● |
| 13,00          | 23,00          | 6,00  | A        | smooth        | 0,05           | 72 NBR 902    | BA       | 6656        | ● |
| 13,00          | 25,00          | 5,00  | A        | smooth        | 0,05           | 72 NBR 902    | BA       | 6658        | ● |
| 13,00          | 26,00          | 7,00  | B        | metal         | 0,05           | 72 NBR 902    | B1U      | 19307       | ● |
| 13,00          | 26,00          | 7,00  | A        | grooved       | 0,05           | 75 FKM 585    | BAUMX7   | 521531      | ● |
| 13,00          | 26,00          | 7,00  | A        | smooth        | 0,05           | 72 NBR 902    | BAU      | 6663        | ● |
| 13,00          | 28,00          | 7,00  | AS       | smooth        | 0,05           | 72 NBR 902    | BASL     | 3367        | ● |
| 13,00          | 30,00          | 8,00  | A        | smooth        | 0,05           | 72 NBR 902    | BA       | 6671        | ● |
| 13,70          | 24,00          | 7,00  | AS       | smooth        | 0,05           | 75 FKM 585    | BAUMSL   | 521313      | ○ |
| 14,00          | 20,00          | 5,00  | A        | smooth        | un-pressurised | 72 NBR 902    | BAOF     | 6681        | ● |
| 14,00          | 22,00          | 4,00  | A        | smooth        | 0,05           | 72 NBR 902    | BA       | 33554       | ● |
| 14,00          | 22,00          | 4,00  | A        | smooth        | 0,05           | 75 FKM 585    | BAUM     | 378313      | ○ |
| 14,00          | 23,00          | 7,00  | A        | smooth        | 0,05           | 75 FKM 585    | BAUM     | 378357      | ○ |
| 14,00          | 23,00          | 7,00  | A        | smooth        | 0,05           | 72 NBR 902    | BAU      | 6683        | ● |
| 14,00          | 24,00          | 7,00  | A        | smooth        | 0,05           | 72 NBR 902    | BA       | 12010784    | ○ |

● Available from stock    ○ On request: Tool is available, delivery at short notice    \* → Diagram 2, page 18

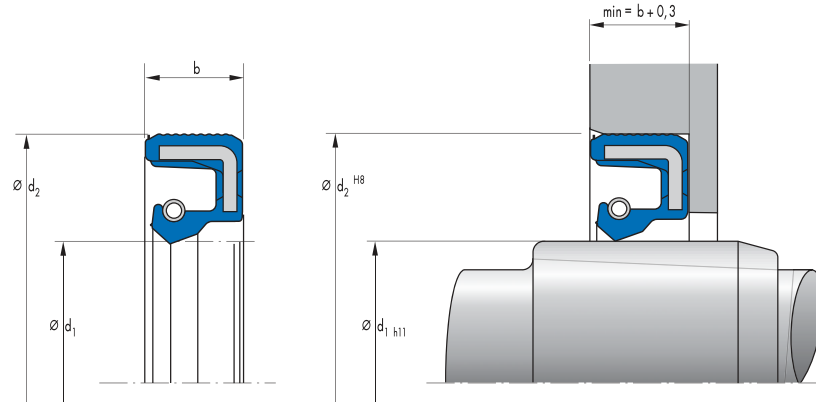


| $d_1$ | $d_2$ | b     | DIN 3761 | Outer surface | Pressure       | Material      | Type     | Article No. |   |
|-------|-------|-------|----------|---------------|----------------|---------------|----------|-------------|---|
| 14,00 | 24,00 | 7,00  | AS       | smooth        | *              | 72 NBR 902    | BABSL    | 12011516    | ● |
| 14,00 | 24,00 | 7,00  | AS       | smooth        | *              | 75 FKM 595    | BABSL    | 12013186    | ● |
| 14,00 | 24,00 | 7,00  | A        | grooved       | 0,05           | 75 FKM 585    | BAUMX7   | 406317      | ● |
| 14,00 | 24,00 | 7,00  | AS       | grooved       | 0,05           | 75 FKM 585    | BAUMSLX7 | 468758      | ● |
| 14,00 | 24,00 | 7,00  | A        | smooth        | 0,05           | 72 NBR 902    | BA       | 531005      | ● |
| 14,00 | 24,00 | 7,00  | B        | metal         | 0,05           | 72 NBR 902    | B1       | 7831        | ● |
| 14,00 | 24,00 | 7,00  | AS       | smooth        | 0,05           | 72 NBR 902    | BAUSLX2  | 86818       | ○ |
| 14,00 | 25,00 | 5,00  | A        | smooth        | 0,05           | 72 NBR 902    | BA       | 6694        | ● |
| 14,00 | 25,00 | 7,00  | B        | metal         | 0,05           | 72 NBR 902    | B1       | 21702       | ● |
| 14,00 | 26,00 | 7,00  | B        | metal         | 0,05           | 72 NBR 902    | B1       | 19311       | ● |
| 14,00 | 26,00 | 7,00  | A        | smooth        | 0,05           | 72 NBR 902    | BA       | 6700        | ● |
| 14,00 | 28,00 | 7,00  | AS       | smooth        | 0,02           | 72 NBR 902    | BAFUDSL  | 12011750    | ● |
| 14,00 | 28,00 | 7,00  | A        | grooved       | 0,02           | 72 NBR 902    | BAFUDX7  | 355486      | ● |
| 14,00 | 28,00 | 7,00  | AS       | grooved       | 0,05           | 75 FKM 585    | BAUMSLX7 | 405402      | ● |
| 14,00 | 28,00 | 7,00  | B        | metal         | 0,05           | 72 NBR 902    | B1U      | 7839        | ● |
| 14,00 | 30,00 | 4,00  | A        | metal         | un-pressurised | 80 NB 177458  | MSC 01   | 508514      | ● |
| 14,00 | 30,00 | 4,00  | A        | metal         | un-pressurised | 80 FKM 177459 | MSC 01   | 508562      | ● |
| 14,00 | 30,00 | 7,00  | B        | metal         | 0,05           | 72 NBR 902    | B1       | 2680        | ● |
| 14,00 | 30,00 | 7,00  | C        | metal         | up to 1 MPa    | PTFE F56101   | B2PT     | 406526      | ● |
| 14,00 | 30,00 | 7,00  | A        | grooved       | 0,05           | 75 FKM 585    | BAUMX7   | 412665      | ● |
| 14,00 | 30,00 | 7,00  | A        | smooth        | 0,05           | 72 NBR 902    | BAU      | 6713        | ● |
| 14,00 | 30,00 | 10,00 | C        | metal         | 0,05           | 72 NBR 902    | B2U      | 22854       | ● |
| 14,00 | 30,00 | 10,00 | AS       | smooth        | 0,05           | 72 NBR 902    | BASL     | 38284       | ● |
| 14,00 | 30,00 | 10,00 | A        | smooth        | 0,05           | 72 NBR 902    | BAU      | 6717        | ● |
| 14,00 | 32,00 | 7,00  | B        | metal         | 0,05           | 72 NBR 902    | B1U      | 19313       | ● |
| 14,00 | 32,00 | 10,00 | A        | smooth        | 0,05           | 72 NBR 902    | BA       | 6723        | ● |
| 14,00 | 35,00 | 7,00  | A        | smooth        | 0,05           | 72 NBR 902    | BA       | 31450       | ● |
| 14,00 | 35,00 | 10,00 | A        | smooth        | 0,05           | 72 NBR 902    | BA       | 6726        | ● |
| 15,00 | 24,00 | 5,00  | A        | smooth        | 0,02           | 72 NBR 902    | BAFUD    | 12010789    | ● |
| 15,00 | 24,00 | 6,00  | AS       | smooth        | 0,02           | 72 NBR 902    | BAFUDSL  | 12011107    | ● |
| 15,00 | 24,00 | 7,00  | AS       | smooth        | 0,02           | 72 NBR 902    | BAFUDSL  | 12000444    | ● |
| 15,00 | 24,00 | 7,00  | BS       | metal         | 0,05           | 72 NBR 902    | B1SL     | 3482        | ● |
| 15,00 | 24,00 | 7,00  | A        | grooved       | 0,05           | 75 FKM 585    | BAUMX7   | 386187      | ● |
| 15,00 | 24,00 | 7,00  | A        | grooved       | 0,05           | 75 FKM 585    | BAUMX7   | 419704      | ○ |
| 15,00 | 24,00 | 7,00  | B        | metal         | 0,02           | 72 NBR 902    | B1FUD    | 428760      | ● |
| 15,00 | 24,00 | 7,00  | A        | smooth        | 0,05           | 72 NBR 902    | BA       | 6736        | ● |

● Available from stock ○ On request: Tool is available, delivery at short notice \* → Diagram 2, page 18

| d <sub>1</sub> | d <sub>2</sub> | b     | DIN 3761 | Outer surface | Pressure       | Material      | Type     | Article No. |   |
|----------------|----------------|-------|----------|---------------|----------------|---------------|----------|-------------|---|
| 15,00          | 25,00          | 5,00  | A        | smooth        | 0,05           | 75 FKM 585    | BAUM     | 49012993    | ● |
| 15,00          | 25,00          | 5,00  | A        | smooth        | 0,05           | 72 NBR 902    | BA       | 532053      | ● |
| 15,00          | 25,00          | 6,00  | AS       | smooth        | *              | 72 NBR 902    | BABSL    | 326153      | ● |
| 15,00          | 25,00          | 6,00  | AS       | smooth        | *              | 75 FKM 595    | BABSL    | 433218      | ● |
| 15,00          | 25,00          | 6,00  | A        | smooth        | 0,05           | 72 NBR 902    | BAUSL    | 49016152    | ● |
| 15,00          | 26,00          | 4,50  | B        | metal         | un-pressurised | 72 NBR 902    | B1OF     | 19581       | ● |
| 15,00          | 26,00          | 7,00  | A        | smooth        | 0,05           | 72 NBR 902    | BA       | 12010791    | ○ |
| 15,00          | 26,00          | 7,00  | A        | grooved       | 0,05           | 75 FKM 585    | BAUMX7   | 407042      | ● |
| 15,00          | 26,00          | 7,00  | AS       | grooved       | 0,05           | 75 FKM 585    | BAUMSLX7 | 471673      | ● |
| 15,00          | 26,00          | 7,00  | A        | smooth        | 0,05           | 72 NBR 902    | BAUX2    | 49028520    | ● |
| 15,00          | 26,00          | 7,00  | A        | smooth        | 0,05           | 72 NBR 902    | BA       | 6747        | ○ |
| 15,00          | 26,00          | 7,00  | A        | smooth        | 0,05           | 72 NBR 902    | BAUSL    | 6749        | ● |
| 15,00          | 26,00          | 7,00  | B        | metal         | 0,05           | 72 NBR 902    | B1       | 7878        | ● |
| 15,00          | 28,00          | 7,00  | B        | metal         | 0,02           | 72 NBR 902    | B1FUD    | 335083      | ● |
| 15,00          | 28,00          | 7,00  | A        | grooved       | 0,05           | 75 FKM 585    | BAUMX7   | 400666      | ● |
| 15,00          | 28,00          | 9,00  | A        | smooth        | 0,05           | 72 NBR 902    | BA       | 6753        | ● |
| 15,00          | 30,00          | 4,00  | A        | metal         | un-pressurised | 80 NBR 177458 | MSC 01   | 508515      | ● |
| 15,00          | 30,00          | 4,00  | A        | metal         | un-pressurised | 80 FKM 177459 | MSC 01   | 508563      | ● |
| 15,00          | 30,00          | 4,50  | A        | smooth        | 0,02           | 72 NBR 902    | BAFUD    | 12010793    | ● |
| 15,00          | 30,00          | 7,00  | AS       | smooth        | 0,02           | 72 NBR 902    | BAFUDSL  | 12011109    | ● |
| 15,00          | 30,00          | 7,00  | AS       | smooth        | *              | 72 NBR 902    | BABSL    | 141150      | ● |
| 15,00          | 30,00          | 7,00  | B        | metal         | 0,02           | 72 NBR 902    | B1FUD    | 335085      | ● |
| 15,00          | 30,00          | 7,00  | A        | grooved       | 0,05           | 75 FKM 585    | BAUMX7   | 388063      | ● |
| 15,00          | 30,00          | 7,00  | C        | metal         | up to 1 MPa    | PTFE F56101   | B2PT     | 406529      | ● |
| 15,00          | 30,00          | 7,00  | A        | smooth        | 0,05           | 72 NBR 902    | BAUX2    | 478442      | ● |
| 15,00          | 30,00          | 7,00  | AS       | smooth        | *              | 75 FKM 595    | BABSL    | 523036      | ● |
| 15,00          | 30,00          | 7,00  | A        | grooved       | 0,05           | 75 FKM 585    | BAUMX7   | 528159      | ○ |
| 15,00          | 30,00          | 8,00  | C        | metal         | 0,05           | 72 NBR 902    | B2       | 22675       | ● |
| 15,00          | 30,00          | 8,00  | B        | metal         | 0,05           | 72 NBR 902    | B1U      | 24287       | ● |
| 15,00          | 30,00          | 8,00  | AS       | smooth        | 0,05           | 72 NBR 902    | BASL     | 6764        | ● |
| 15,00          | 30,00          | 10,00 | BS       | metal         | 0,05           | 72 NBR 902    | B1SL     | 20254       | ● |
| 15,00          | 30,00          | 10,00 | C        | metal         | 0,05           | 72 NBR 902    | B2U      | 22857       | ● |
| 15,00          | 30,00          | 10,00 | A        | grooved       | 0,05           | 75 FKM 585    | BAUMX7   | 389461      | ● |
| 15,00          | 30,00          | 10,00 | A        | smooth        | 0,05           | 72 NBR 902    | BAU      | 7592        | ● |
| 15,00          | 32,00          | 6,00  | A        | metal         | un-pressurised | 80 FKM 177459 | MSC 02   | 508604      | ● |
| 15,00          | 32,00          | 6,00  | A        | metal         | un-pressurised | 80 NBR 177458 | MSC 02   | 508628      | ● |
| 15,00          | 32,00          | 7,00  | AS       | smooth        | *              | 72 NBR 902    | BABSL    | 322185      | ● |
| 15,00          | 32,00          | 7,00  | B        | metal         | 0,02           | 72 NBR 902    | B1FUD    | 335087      | ● |
| 15,00          | 32,00          | 7,00  | C        | metal         | up to 1 MPa    | PTFE F56101   | B2PT     | 406530      | ● |
| 15,00          | 32,00          | 7,00  | A        | grooved       | 0,05           | 75 FKM 585    | BAUMX7   | 411516      | ● |
| 15,00          | 32,00          | 7,00  | A        | smooth        | 0,02           | 72 NBR 902    | BAFUD    | 49001626    | ● |
| 15,00          | 32,00          | 10,00 | C        | metal         | 0,05           | 72 NBR 902    | B2       | 22858       | ● |
| 15,00          | 32,00          | 10,00 | A        | smooth        | 0,05           | 72 NBR 902    | BAU      | 6780        | ● |
| 15,00          | 35,00          | 6,00  | AS       | smooth        | *              | 72 NBR 902    | BABSL    | 2953        | ● |
| 15,00          | 35,00          | 6,00  | AS       | smooth        | *              | 75 FKM 595    | BABSL    | 346627      | ● |
| 15,00          | 35,00          | 7,00  | B        | metal         | 0,05           | 72 NBR 902    | B1U      | 3098        | ● |
| 15,00          | 35,00          | 7,00  | A        | grooved       | 0,02           | 72 NBR 902    | BAFUDX7  | 355422      | ● |
| 15,00          | 35,00          | 7,00  | A        | grooved       | 0,05           | 75 FKM 585    | BAUMX7   | 411517      | ● |
| 15,00          | 35,00          | 7,00  | BS       | metal         | 0,02           | 72 NBR 902    | B1FUDSL  | 436749      | ● |
| 15,00          | 35,00          | 7,00  | AS       | smooth        | 0,05           | 75 FKM 585    | BAUMSL   | 466955      | ○ |

● Available from stock    ○ On request: Tool is available, delivery at short notice    \* → Diagram 2, page 18

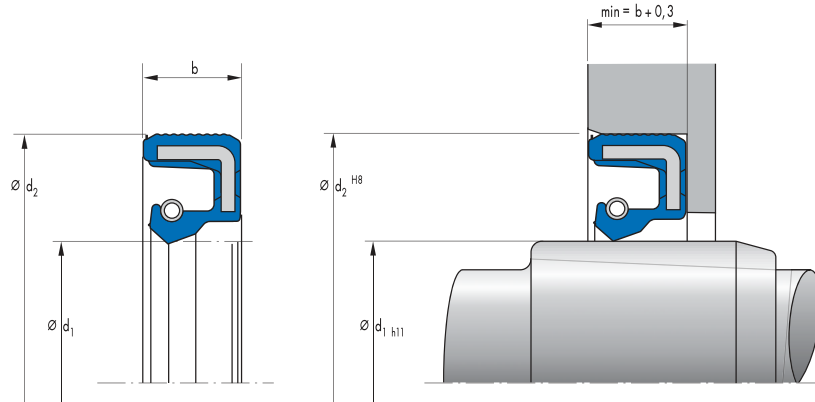


| d <sub>1</sub> | d <sub>2</sub> | b     | DIN 3761 | Outer surface | Pressure       | Material   | Type      | Article No. |   |
|----------------|----------------|-------|----------|---------------|----------------|------------|-----------|-------------|---|
| 15,00          | 35,00          | 7,00  | AS       | smooth        | 0,05           | 72 NBR 902 | BAUSLX2   | 49016894    | ● |
| 15,00          | 35,00          | 7,00  | A        | smooth        | 0,05           | 72 NBR 902 | BAUX2     | 49032758    | ● |
| 15,00          | 35,00          | 7,00  | A        | smooth        | 0,05           | 72 NBR 902 | BAU       | 6784        | ● |
| 15,00          | 35,00          | 8,00  | A        | smooth        | 0,05           | 72 NBR 902 | BA        | 7595        | ● |
| 15,00          | 35,00          | 10,00 | C        | metal         | 0,05           | 72 NBR 902 | B2        | 22677       | ● |
| 15,00          | 35,00          | 10,00 | A        | smooth        | 0,05           | 72 NBR 902 | BA        | 6795        | ● |
| 15,00          | 35,00          | 10,00 | AS       | smooth        | 0,05           | 72 NBR 902 | BASL      | 6796        | ● |
| 15,00          | 35,00          | 10,00 | B        | metal         | 0,05           | 72 NBR 902 | B1U       | 8014        | ● |
| 15,00          | 37,00          | 10,00 | A        | smooth        | 0,05           | 72 NBR 902 | BAU       | 459238      | ○ |
| 15,00          | 37,00          | 10,00 | B        | metal         | 0,05           | 72 NBR 902 | B1        | 8017        | ● |
| 15,00          | 40,00          | 7,00  | A        | smooth        | 0,05           | 75 FKM 585 | BAUM      | 522177      | ● |
| 15,00          | 40,00          | 7,00  | A        | smooth        | 0,05           | 72 NBR 902 | BAUX2     | 522178      | ● |
| 15,00          | 40,00          | 10,00 | C        | metal         | 0,05           | 72 NBR 902 | B2U       | 22859       | ● |
| 15,00          | 40,00          | 10,00 | A        | smooth        | 0,05           | 72 NBR 902 | BA        | 6802        | ● |
| 15,00          | 42,00          | 7,00  | A        | grooved       | 0,05           | 72 NBR 902 | BAUX27    | 451922      | ● |
| 15,00          | 42,00          | 7,00  | A        | grooved       | 0,05           | 75 FKM 585 | BAUMX7    | 49001673    | ● |
| 15,00          | 42,00          | 10,00 | C        | metal         | 0,05           | 72 NBR 902 | B2        | 22860       | ○ |
| 15,00          | 42,00          | 10,00 | C        | metal         | 0,02           | 72 NBR 902 | B2FUD     | 422249      | ● |
| 15,00          | 42,00          | 10,00 | A        | smooth        | 0,05           | 75 FKM 585 | BAUM      | 49015432    | ● |
| 15,00          | 42,00          | 10,00 | A        | smooth        | 0,05           | 72 NBR 902 | BAU       | 6805        | ● |
| 16,00          | 22,00          | 4,00  | B        | metal         | un-pressurised | 72 NBR 902 | B1OF      | 19584       | ● |
| 16,00          | 24,00          | 4,00  | A        | smooth        | 0,02           | 72 NBR 902 | BAFUD     | 12010799    | ● |
| 16,00          | 24,00          | 4,00  | B        | metal         | un-pressurised | 72 NBR 902 | B1OF      | 23770       | ● |
| 16,00          | 24,00          | 5,00  | A        | smooth        | 0,02           | 72 NBR 902 | BAFUD     | 12010800    | ● |
| 16,00          | 24,00          | 6,00  | B        | metal         | 0,05           | 72 NBR 902 | B1        | 20397       | ● |
| 16,00          | 24,00          | 7,00  | A        | smooth        | 0,02           | 72 NBR 902 | BAFUD     | 12010801    | ● |
| 16,00          | 24,00          | 7,00  | B        | metal         | un-pressurised | 72 NBR 902 | B1OF      | 19585       | ● |
| 16,00          | 24,00          | 7,00  | B        | metal         | 0,05           | 72 NBR 902 | B1        | 22979       | ● |
| 16,00          | 26,00          | 7,00  | B        | metal         | 0,05           | 72 NBR 902 | B1        | 19325       | ● |
| 16,00          | 26,00          | 7,00  | A        | smooth        | 0,05           | 72 NBR 902 | BA        | 33708       | ● |
| 16,00          | 26,00          | 7,00  | AS       | smooth        | *              | 72 NBR 902 | BABSL     | 462890      | ● |
| 16,00          | 26,00          | 7,00  | B        | metal         | 0,05           | 72 NBR 902 | B1USL     | 49001664    | ● |
| 16,00          | 26,00          | 7,00  | A        | smooth        | 0,05           | 72 NBR 902 | BA        | 49002635    | ○ |
| 16,00          | 28,00          | 7,00  | B        | metal         | 0,02           | 72 NBR 902 | B1FUD     | 335088      | ● |
| 16,00          | 28,00          | 7,00  | AS       | grooved       | 0,02           | 72 NBR 902 | BAFUDSLX7 | 335565      | ● |
| 16,00          | 28,00          | 7,00  | A        | grooved       | 0,05           | 75 FKM 585 | BAUMX7    | 389802      | ● |

● Available from stock    ○ On request: Tool is available, delivery at short notice    \* → Diagram 2, page 18

| d <sub>1</sub> | d <sub>2</sub> | b     | DIN 3761 | Outer surface | Pressure       | Material      | Type     | Article No. |   |
|----------------|----------------|-------|----------|---------------|----------------|---------------|----------|-------------|---|
| 16,00          | 28,00          | 7,00  | AS       | smooth        | 0,05           | 75 FKM 585    | BAUMSL   | 411947      | ○ |
| 16,00          | 28,00          | 7,00  | A        | smooth        | 0,02           | 72 NBR 902    | BAFUD    | 49001630    | ● |
| 16,00          | 28,00          | 7,00  | AS       | smooth        | 0,05           | 72 NBR 902    | BAUSLX2  | 49013602    | ● |
| 16,00          | 30,00          | 6,00  | B        | metal         | 0,02           | 72 NBR 902    | B1FUD    | 355469      | ● |
| 16,00          | 30,00          | 7,00  | B        | metal         | 0,05           | 72 NBR 902    | B1       | 19328       | ● |
| 16,00          | 30,00          | 7,00  | A        | grooved       | 0,05           | 75 FKM 585    | BAUMX7   | 386013      | ● |
| 16,00          | 30,00          | 7,00  | A        | smooth        | 0,05           | 72 NBR 902    | BAU      | 6829        | ● |
| 16,00          | 30,00          | 10,00 | B        | metal         | 0,05           | 72 NBR 902    | B1       | 19686       | ● |
| 16,00          | 30,00          | 10,00 | C        | metal         | 0,05           | 72 NBR 902    | B2U      | 22679       | ● |
| 16,00          | 30,00          | 10,00 | AS       | grooved       | 0,05           | 75 FKM 585    | BAUMSLX7 | 468759      | ● |
| 16,00          | 30,00          | 10,00 | A        | smooth        | 0,05           | 72 NBR 902    | BAU      | 6839        | ● |
| 16,00          | 32,00          | 4,00  | A        | metal         | un-pressurised | 80 NBR 177458 | MSC 01   | 508516      | ● |
| 16,00          | 32,00          | 4,00  | A        | metal         | un-pressurised | 80 FKM 177459 | MSC 01   | 508564      | ● |
| 16,00          | 32,00          | 7,00  | B        | metal         | 0,05           | 72 NBR 902    | B1U      | 11420       | ● |
| 16,00          | 32,00          | 7,00  | A        | smooth        | 0,05           | 72 NBR 902    | BA       | 13972       | ○ |
| 16,00          | 32,00          | 7,00  | AS       | grooved       | 0,05           | 75 FKM 585    | BAUMSLX7 | 405810      | ● |
| 16,00          | 32,00          | 7,00  | A        | smooth        | 0,05           | 72 NBR 902    | BAUX2    | 525282      | ● |
| 16,00          | 32,00          | 10,00 | C        | metal         | 0,05           | 72 NBR 902    | B2U      | 22861       | ● |
| 16,00          | 32,00          | 10,00 | A        | smooth        | 0,05           | 72 NBR 902    | BAU      | 6845        | ● |
| 16,00          | 35,00          | 7,00  | A        | smooth        | 0,05           | 72 NBR 902    | BA       | 2746        | ● |
| 16,00          | 35,00          | 7,00  | B        | metal         | 0,05           | 72 NBR 902    | B1       | 2748        | ● |
| 16,00          | 35,00          | 7,00  | AS       | grooved       | 0,05           | 75 FKM 585    | BAUMSLX7 | 404317      | ● |
| 16,00          | 35,00          | 7,00  | C        | metal         | up to 1 MPa    | PTFE F56101   | B2PT     | 406531      | ● |
| 16,00          | 35,00          | 9,00  | AS       | smooth        | 0,05           | 72 NBR 902    | BASL     | 6847        | ○ |
| 16,00          | 35,00          | 10,00 | C        | metal         | 0,05           | 72 NBR 902    | B2       | 22680       | ● |
| 16,00          | 35,00          | 10,00 | B        | metal         | 0,02           | 72 NBR 902    | B1FUD    | 458568      | ● |
| 16,00          | 35,00          | 10,00 | A        | smooth        | 0,05           | 72 NBR 902    | BA       | 6851        | ● |
| 16,00          | 40,00          | 10,00 | C        | metal         | 0,05           | 72 NBR 902    | B2       | 22863       | ● |
| 16,00          | 40,00          | 10,00 | AS       | smooth        | *              | 75 FKM 595    | BABSL    | 423803      | ● |
| 16,00          | 40,00          | 10,00 | A        | smooth        | 0,05           | 72 NBR 902    | BAU      | 6857        | ● |
| 16,00          | 47,00          | 7,00  | A        | grooved       | 0,05           | 72 NBR 902    | BAUX27   | 451923      | ● |
| 17,00          | 25,00          | 4,00  | A        | smooth        | 0,02           | 72 NBR 902    | BAFUD    | 12010806    | ● |
| 17,00          | 25,00          | 4,50  | A        | smooth        | 0,05           | 75 FKM 585    | BAUM     | 49016724    | ● |
| 17,00          | 26,00          | 6,00  | A        | smooth        | 0,05           | 72 NBR 902    | BA       | 7616        | ● |
| 17,00          | 28,00          | 6,00  | B        | metal         | 0,05           | 72 NBR 902    | B1       | 19330       | ● |
| 17,00          | 28,00          | 6,00  | A        | smooth        | 0,02           | 72 NBR 902    | BAFUD    | 532597      | ● |
| 17,00          | 28,00          | 7,00  | B        | metal         | 0,05           | 72 NBR 902    | B1USL    | 20066       | ● |
| 17,00          | 28,00          | 7,00  | B        | metal         | 0,02           | 72 NBR 902    | B1FUD    | 335089      | ● |
| 17,00          | 28,00          | 7,00  | A        | grooved       | 0,05           | 75 FKM 585    | BAUMX7   | 398038      | ● |
| 17,00          | 28,00          | 7,00  | AS       | smooth        | 0,05           | 72 NBR 902    | BAUSLX2  | 49001668    | ● |
| 17,00          | 28,00          | 7,00  | A        | smooth        | 0,05           | 72 NBR 902    | BAUX2    | 49023151    | ● |
| 17,00          | 28,00          | 7,00  | AS       | grooved       | 0,05           | 75 FKM 585    | BAUMSLX7 | 520222      | ● |
| 17,00          | 28,00          | 7,00  | A        | smooth        | 0,05           | 72 NBR 902    | BA       | 6870        | ○ |
| 17,00          | 30,00          | 6,00  | AS       | smooth        | *              | 75 FKM 595    | BABSL    | 12013032    | ● |
| 17,00          | 30,00          | 6,00  | AS       | smooth        | *              | 72 NBR 902    | BABSL    | 12015495    | ● |
| 17,00          | 30,00          | 7,00  | B        | metal         | 0,02           | 72 NBR 902    | B1FUD    | 334378      | ● |
| 17,00          | 30,00          | 7,00  | AS       | smooth        | 0,05           | 72 NBR 902    | BASL     | 384327      | ○ |
| 17,00          | 30,00          | 7,00  | A        | grooved       | 0,05           | 75 FKM 585    | BAUMX7   | 399045      | ● |
| 17,00          | 30,00          | 7,00  | A        | smooth        | 0,05           | 72 NBR 902    | BAUX2    | 507567      | ● |
| 17,00          | 30,00          | 7,00  | AS       | smooth        | 0,05           | 72 NBR 902    | BASL     | 6878        | ● |

● Available from stock    ○ On request: Tool is available, delivery at short notice    \* → Diagram 2, page 18

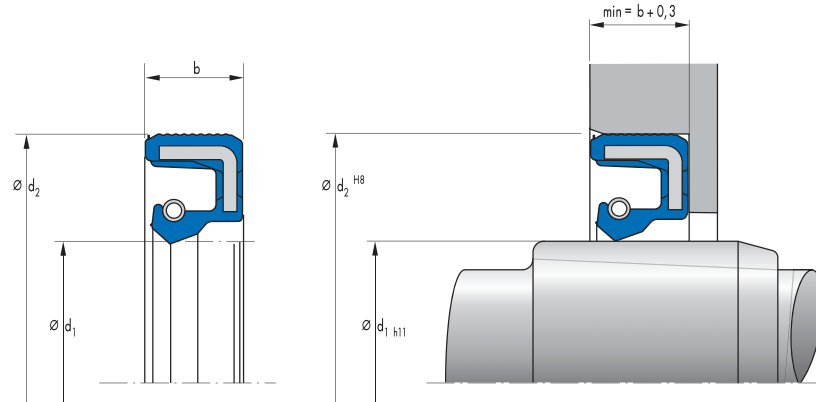


| d <sub>1</sub> | d <sub>2</sub> | b     | DIN 3761 | Outer surface | Pressure       | Material      | Type     | Article No. |   |
|----------------|----------------|-------|----------|---------------|----------------|---------------|----------|-------------|---|
| 17,00          | 30,00          | 10,00 | B        | metal         | 0,05           | 72 NBR 902    | B1U      | 19334       | ● |
| 17,00          | 32,00          | 4,00  | A        | metal         | un-pressurised | 80 NBR 177458 | MSC 01   | 508517      | ● |
| 17,00          | 32,00          | 4,00  | A        | metal         | un-pressurised | 80 FKM 177459 | MSC 01   | 508565      | ● |
| 17,00          | 32,00          | 7,00  | AS       | smooth        | 0,05           | 72 NBR 902    | BASL     | 2184        | ● |
| 17,00          | 32,00          | 7,00  | B        | metal         | 0,05           | 72 NBR 902    | B1U      | 2749        | ● |
| 17,00          | 32,00          | 7,00  | A        | grooved       | 0,02           | 72 NBR 902    | BAFUDX7  | 355628      | ● |
| 17,00          | 32,00          | 7,00  | AS       | grooved       | 0,05           | 75 FKM 585    | BAUMSLX7 | 405409      | ● |
| 17,00          | 32,00          | 7,00  | A        | grooved       | 0,05           | 75 FKM 585    | BAUMX7   | 407043      | ● |
| 17,00          | 32,00          | 10,00 | C        | metal         | 0,05           | 72 NBR 902    | B2       | 22681       | ● |
| 17,00          | 32,00          | 10,00 | A        | smooth        | 0,05           | 72 NBR 902    | BA       | 6884        | ● |
| 17,00          | 33,00          | 9,00  | AS       | smooth        | 0,05           | 72 NBR 902    | BASL     | 31254       | ● |
| 17,00          | 34,00          | 4,00  | B        | metal         | 0,05           | 72 NBR 902    | B1       | 7893        | ● |
| 17,00          | 34,00          | 6,00  | A        | metal         | un-pressurised | 80 FKM 177459 | MSC 02   | 508605      | ● |
| 17,00          | 34,00          | 6,00  | A        | metal         | un-pressurised | 80 NBR 177458 | MSC 02   | 508629      | ● |
| 17,00          | 35,00          | 7,00  | AS       | smooth        | *              | 72 NBR 902    | BABSL    | 12011728    | ● |
| 17,00          | 35,00          | 7,00  | B        | metal         | 0,02           | 72 NBR 902    | B1FUD    | 334937      | ● |
| 17,00          | 35,00          | 7,00  | AS       | grooved       | 0,05           | 75 FKM 585    | BAUMSLX7 | 405803      | ● |
| 17,00          | 35,00          | 7,00  | C        | metal         | up to 1 MPa    | PTFE F56101   | B2PT     | 406532      | ● |
| 17,00          | 35,00          | 7,00  | A        | smooth        | 0,05           | 72 NBR 902    | BAUX2    | 478759      | ● |
| 17,00          | 35,00          | 7,00  | AS       | smooth        | 0,05           | 72 NBR 902    | BAUSLX2  | 524144      | ● |
| 17,00          | 35,00          | 8,00  | C        | metal         | 0,02           | 72 NBR 902    | B2FUD    | 334907      | ● |
| 17,00          | 35,00          | 8,00  | B        | metal         | 0,02           | 72 NBR 902    | B1FUD    | 334938      | ● |
| 17,00          | 35,00          | 8,00  | A        | smooth        | 0,05           | 72 NBR 902    | BAU      | 6893        | ○ |
| 17,00          | 35,00          | 10,00 | C        | metal         | 0,02           | 72 NBR 902    | B2FUD    | 334908      | ● |
| 17,00          | 35,00          | 10,00 | B        | metal         | 0,02           | 72 NBR 902    | B1FUD    | 335091      | ● |
| 17,00          | 35,00          | 10,00 | AS       | smooth        | 0,05           | 72 NBR 902    | BASL     | 6898        | ● |
| 17,00          | 35,00          | 10,00 | A        | smooth        | 0,05           | 72 NBR 902    | BA       | 6899        | ● |
| 17,00          | 37,00          | 7,00  | AS       | smooth        | 0,05           | 72 NBR 902    | BASL     | 392791      | ● |
| 17,00          | 37,00          | 7,00  | A        | smooth        | 0,05           | 72 NBR 902    | BA       | 6904        | ● |
| 17,00          | 40,00          | 7,00  | A        | grooved       | 0,05           | 75 FKM 585    | BAUMX7   | 400677      | ● |
| 17,00          | 40,00          | 7,00  | A        | smooth        | 0,05           | 72 NBR 902    | BAUX2    | 478443      | ● |
| 17,00          | 40,00          | 7,00  | AS       | grooved       | 0,05           | 75 FKM 585    | BAUMSLX7 | 524290      | ● |
| 17,00          | 40,00          | 7,00  | AS       | smooth        | 0,05           | 72 NBR 902    | BAUSLX2  | 524509      | ● |
| 17,00          | 40,00          | 7,00  | B        | metal         | 0,05           | 72 NBR 902    | B1U      | 8019        | ● |
| 17,00          | 40,00          | 8,50  | A        | smooth        | 0,02           | 72 NBR 902    | BAFUD    | 12010814    | ● |
| 17,00          | 40,00          | 10,00 | B        | metal         | 0,05           | 72 NBR 902    | B1U      | 19692       | ● |

● Available from stock    ○ On request: Tool is available, delivery at short notice    \* → Diagram 2, page 18

| d <sub>1</sub> | d <sub>2</sub> | b     | DIN 3761 | Outer surface | Pressure       | Material      | Type      | Article No. |   |
|----------------|----------------|-------|----------|---------------|----------------|---------------|-----------|-------------|---|
| 17,00          | 40,00          | 10,00 | C        | metal         | 0,05           | 72 NBR 902    | B2        | 22865       | ● |
| 17,00          | 40,00          | 10,00 | A        | smooth        | 0,05           | 72 NBR 902    | BAU       | 7653        | ● |
| 17,00          | 47,00          | 7,00  | A        | grooved       | 0,02           | 72 NBR 902    | BAUX7     | 356743      | ● |
| 17,00          | 47,00          | 7,00  | A        | grooved       | 0,05           | 75 FKM 585    | BAUMX7    | 524508      | ● |
| 17,00          | 47,00          | 10,00 | C        | metal         | 0,05           | 72 NBR 902    | B2        | 22866       | ● |
| 17,00          | 47,00          | 10,00 | A        | smooth        | 0,05           | 72 NBR 902    | BAU       | 6924        | ● |
| 17,50          | 28,00          | 6,00  | A        | smooth        | 0,02           | 72 NBR 902    | BAFUD     | 12000066    | ● |
| 18,00          | 24,00          | 4,00  | B        | metal         | 0,05           | 72 NBR 902    | B1        | 11350       | ● |
| 18,00          | 28,00          | 7,00  | A        | smooth        | 0,05           | 72 NBR 902    | BA        | 128888      | ○ |
| 18,00          | 28,00          | 7,00  | B        | metal         | 0,05           | 72 NBR 902    | B1U       | 20888       | ● |
| 18,00          | 28,00          | 7,00  | A        | grooved       | 0,02           | 72 NBR 902    | BAFUDX7   | 355487      | ● |
| 18,00          | 28,00          | 7,00  | A        | grooved       | 0,05           | 75 FKM 585    | BAUMX7    | 411518      | ● |
| 18,00          | 28,00          | 7,00  | A        | grooved       | 0,05           | 75 FKM 585    | BAUMX7    | 49002248    | ○ |
| 18,00          | 30,00          | 6,00  | AS       | smooth        | *              | 75 FKM 595    | BABSL     | 116021      | ● |
| 18,00          | 30,00          | 6,00  | AS       | smooth        | *              | 72 NBR 902    | BABSL     | 478785      | ● |
| 18,00          | 30,00          | 7,00  | AS       | smooth        | *              | 72 NBR 902    | BABSL     | 12011517    | ● |
| 18,00          | 30,00          | 7,00  | AS       | grooved       | 0,02           | 72 NBR 902    | BAFUDSLX7 | 334286      | ● |
| 18,00          | 30,00          | 7,00  | B        | metal         | 0,02           | 72 NBR 902    | B1FUD     | 335092      | ● |
| 18,00          | 30,00          | 7,00  | BS       | metal         | 0,05           | 72 NBR 902    | B1SL      | 361194      | ● |
| 18,00          | 30,00          | 7,00  | A        | grooved       | 0,05           | 75 FKM 585    | BAUMX7    | 399819      | ● |
| 18,00          | 30,00          | 7,00  | A        | smooth        | 0,05           | 72 NBR 902    | BA        | 7664        | ● |
| 18,00          | 32,00          | 6,00  | AS       | smooth        | *              | 72 NBR 902    | BABSL     | 12001667    | ● |
| 18,00          | 32,00          | 7,00  | B        | metal         | 0,05           | 72 NBR 902    | B1        | 19345       | ● |
| 18,00          | 32,00          | 7,00  | A        | smooth        | 0,05           | 72 NBR 902    | BAU       | 2751        | ● |
| 18,00          | 32,00          | 7,00  | A        | grooved       | 0,05           | 75 FKM 585    | BAUMX7    | 403077      | ● |
| 18,00          | 32,00          | 7,00  | C        | metal         | up to 1 MPa    | PTFE F56101   | B2PT      | 406533      | ● |
| 18,00          | 32,00          | 8,00  | AS       | smooth        | 0,05           | 72 NBR 902    | BASL      | 6959        | ● |
| 18,00          | 33,00          | 4,00  | A        | metal         | un-pressurised | 80 NBR 177458 | MSC 01    | 508518      | ● |
| 18,00          | 33,00          | 4,00  | A        | metal         | un-pressurised | 80 FKM 177459 | MSC 01    | 508566      | ● |
| 18,00          | 35,00          | 6,00  | AS       | smooth        | *              | 72 NBR 902    | BABSL     | 2957        | ● |
| 18,00          | 35,00          | 6,00  | AS       | smooth        | *              | 75 FKM 595    | BABSL     | 49009018    | ● |
| 18,00          | 35,00          | 7,00  | B        | metal         | 0,05           | 72 NBR 902    | B1U       | 2488        | ● |
| 18,00          | 35,00          | 7,00  | A        | smooth        | 0,05           | 72 NBR 902    | BA        | 2752        | ● |
| 18,00          | 35,00          | 7,00  | A        | grooved       | 0,05           | 75 FKM 585    | BAUMX7    | 399825      | ● |
| 18,00          | 35,00          | 7,00  | AS       | grooved       | 0,05           | 75 FKM 585    | BAUMSLX27 | 405796      | ● |
| 18,00          | 35,00          | 7,00  | AS       | grooved       | 0,05           | 72 NBR 902    | BAUSLX27  | 451667      | ● |
| 18,00          | 35,00          | 7,00  | AS       | grooved       | 0,05           | 75 FKM 585    | BAUMSLX7  | 533071      | ● |
| 18,00          | 35,00          | 8,00  | C        | metal         | 0,05           | 72 NBR 902    | B2U       | 22686       | ● |
| 18,00          | 35,00          | 8,00  | A        | smooth        | 0,05           | 72 NBR 902    | BA        | 6967        | ● |
| 18,00          | 35,00          | 10,00 | C        | metal         | 0,05           | 72 NBR 902    | B2        | 22867       | ● |
| 18,00          | 35,00          | 10,00 | A        | smooth        | 0,05           | 72 NBR 902    | BAUSL     | 6978        | ● |
| 18,00          | 35,00          | 10,00 | A        | smooth        | 0,05           | 72 NBR 902    | BA        | 6979        | ● |
| 18,00          | 35,00          | 10,00 | A        | smooth        | 0,05           | 72 NBR 902    | BA        | 6980        | ○ |
| 18,00          | 37,00          | 10,00 | A        | smooth        | 0,05           | 72 NBR 902    | BA        | 6984        | ● |
| 18,00          | 40,00          | 7,00  | A        | smooth        | 0,05           | 72 NBR 902    | BA        | 9588        | ● |
| 18,00          | 40,00          | 10,00 | C        | metal         | 0,05           | 72 NBR 902    | B2        | 23516       | ○ |
| 18,00          | 40,00          | 10,00 | A        | smooth        | 0,05           | 72 NBR 902    | BA        | 6989        | ● |
| 18,00          | 47,00          | 10,00 | AS       | smooth        | 0,05           | 72 NBR 902    | BAUSLX2   | 520530      | ● |
| 19,00          | 27,00          | 6,00  | B        | metal         | 0,05           | 72 NBR 902    | B1U       | 23774       | ● |
| 19,00          | 27,00          | 6,00  | A        | smooth        | 0,05           | 72 NBR 902    | BAU       | 6994        | ● |

● Available from stock    ○ On request: Tool is available, delivery at short notice    \* → Diagram 2, page 18

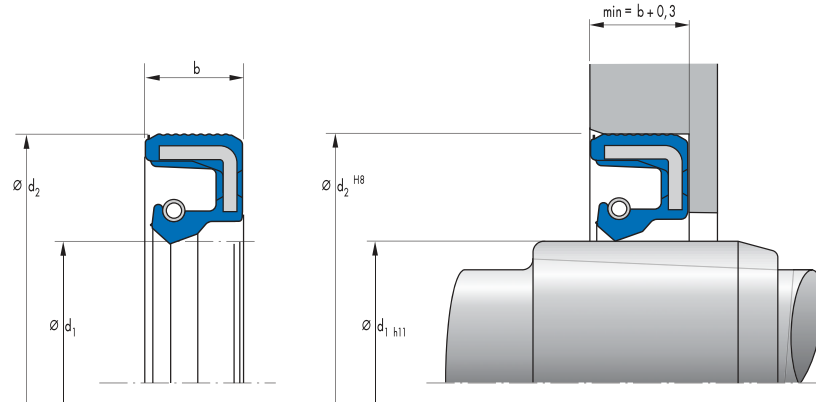


| d <sub>1</sub> | d <sub>2</sub> | b     | DIN 3761 | Outer surface | Pressure    | Material    | Type      | Article No. |   |
|----------------|----------------|-------|----------|---------------|-------------|-------------|-----------|-------------|---|
| 19,00          | 30,00          | 7,00  | A        | grooved       | 0,02        | 72 NBR 902  | BAFUDX7   | 355620      | ● |
| 19,00          | 32,00          | 7,00  | B        | metal         | 0,05        | 72 NBR 902  | B1        | 19346       | ● |
| 19,00          | 32,00          | 7,00  | A        | smooth        | 0,05        | 72 NBR 902  | BAU       | 49002842    | ● |
| 19,00          | 35,00          | 6,00  | AS       | smooth        | *           | 75 FKM 595  | BABSL     | 466758      | ● |
| 19,00          | 35,00          | 9,00  | AS       | smooth        | 0,05        | 72 NBR 902  | BASL      | 7003        | ● |
| 19,00          | 35,00          | 10,00 | C        | metal         | 0,05        | 72 NBR 902  | B2        | 22870       | ● |
| 19,00          | 35,00          | 10,00 | A        | smooth        | 0,05        | 72 NBR 902  | BA        | 7008        | ● |
| 19,00          | 40,00          | 10,00 | A        | smooth        | 0,05        | 72 NBR 902  | BA        | 7015        | ● |
| 19,00          | 47,00          | 10,00 | C        | metal         | 0,05        | 72 NBR 902  | B2        | 22872       | ○ |
| 19,05          | 31,75          | 6,35  | AS       | smooth        | *           | 72 NBR 902  | BABSL     | 311089      | ● |
| 19,05          | 31,75          | 6,35  | A        | smooth        | 0,05        | 72 NBR 902  | BA        | 7022        | ● |
| 19,05          | 38,10          | 9,50  | C        | metal         | 0,05        | 72 NBR 902  | B2        | 22874       | ● |
| 20,00          | 28,00          | 6,00  | B        | metal         | 0,05        | 72 NBR 902  | B1        | 383388      | ● |
| 20,00          | 28,00          | 6,00  | B        | metal         | 0,05        | 72 NBR 902  | B1U       | 520585      | ● |
| 20,00          | 28,00          | 6,00  | A        | smooth        | 0,02        | 72 NBR 902  | BAFUD     | 532598      | ● |
| 20,00          | 30,00          | 5,00  | B        | metal         | 0,02        | 72 NBR 902  | B1FUD     | 334376      | ● |
| 20,00          | 30,00          | 5,00  | A        | grooved       | 0,05        | 75 FKM 585  | BAUMX27   | 49024463    | ● |
| 20,00          | 30,00          | 5,00  | A        | smooth        | 0,05        | 72 NBR 902  | BAUX2     | 49033332    | ● |
| 20,00          | 30,00          | 5,00  | AS       | grooved       | 0,05        | 75 FKM 585  | BAUMSLX27 | 521225      | ● |
| 20,00          | 30,00          | 5,00  | A        | smooth        | 0,05        | 72 NBR 902  | BAUX2     | 524143      | ● |
| 20,00          | 30,00          | 7,00  | AS       | smooth        | *           | 72 NBR 902  | BABSL     | 12020180    | ● |
| 20,00          | 30,00          | 7,00  | B        | metal         | 0,05        | 75 FKM 595  | B1U       | 329248      | ○ |
| 20,00          | 30,00          | 7,00  | BS       | metal         | 0,02        | 72 NBR 902  | B1FUDSL   | 335093      | ● |
| 20,00          | 30,00          | 7,00  | B        | metal         | 0,02        | 72 NBR 902  | B1FUD     | 355461      | ○ |
| 20,00          | 30,00          | 7,00  | A        | grooved       | 0,05        | 75 FKM 585  | BAUMX7    | 399790      | ● |
| 20,00          | 30,00          | 7,00  | C        | metal         | up to 1 MPa | PTFE F56101 | B2PT      | 406536      | ● |
| 20,00          | 30,00          | 7,00  | A        | smooth        | 0,05        | 72 NBR 902  | BAUX2     | 478758      | ● |
| 20,00          | 30,00          | 7,00  | AS       | smooth        | 0,05        | 72 NBR 902  | BAUSLX2   | 524648      | ● |
| 20,00          | 32,00          | 6,00  | AS       | smooth        | *           | 75 FKM 595  | BABSL     | 520073      | ● |
| 20,00          | 32,00          | 7,00  | AS       | grooved       | 0,02        | 72 NBR 902  | BAFUDSLX7 | 334813      | ● |
| 20,00          | 32,00          | 7,00  | A        | grooved       | 0,05        | 75 FKM 585  | BAUMX7    | 399787      | ● |
| 20,00          | 32,00          | 7,00  | C        | metal         | up to 1 MPa | PTFE F56101 | B2PT      | 406537      | ● |
| 20,00          | 32,00          | 7,00  | AS       | grooved       | 0,05        | 75 FKM 585  | BAUMSLX7  | 466633      | ● |
| 20,00          | 32,00          | 7,00  | AS       | smooth        | *           | 72 NBR 902  | BABSL     | 49017151    | ● |
| 20,00          | 32,00          | 7,00  | A        | smooth        | 0,02        | 72 NBR 902  | BAFUD     | 532599      | ● |
| 20,00          | 32,00          | 7,00  | B        | metal         | 0,05        | 72 NBR 902  | B1U       | 7919        | ● |

● Available from stock    ○ On request: Tool is available, delivery at short notice    \* → Diagram 2, page 18

| d <sub>1</sub> | d <sub>2</sub> | b     | DIN 3761 | Outer surface | Pressure       | Material      | Type     | Article No. |   |
|----------------|----------------|-------|----------|---------------|----------------|---------------|----------|-------------|---|
| 20,00          | 33,00          | 10,00 | A        | smooth        | 0,05           | 72 NBR 902    | BAU      | 7071        | ● |
| 20,00          | 35,00          | 4,00  | A        | metal         | un-pressurised | 80 NBR 177458 | MSC 01   | 508519      | ● |
| 20,00          | 35,00          | 4,00  | A        | metal         | un-pressurised | 80 FKM 177459 | MSC 01   | 508567      | ● |
| 20,00          | 35,00          | 6,00  | AS       | smooth        | *              | 72 NBR 902    | BABSL    | 2959        | ● |
| 20,00          | 35,00          | 6,00  | A        | grooved       | 0,02           | 72 NBR 902    | BAFUDX7  | 334287      | ● |
| 20,00          | 35,00          | 6,00  | AS       | smooth        | *              | 75 FKM 595    | BABSL    | 468087      | ○ |
| 20,00          | 35,00          | 6,00  | AS       | smooth        | *              | 75 FKM 595    | BABSL    | 49030261    | ● |
| 20,00          | 35,00          | 7,00  | BS       | metal         | 0,05           | 72 NBR 902    | B1SL     | 150731      | ● |
| 20,00          | 35,00          | 7,00  | A        | grooved       | 0,05           | 75 FKM 585    | BAUMX7   | 388022      | ● |
| 20,00          | 35,00          | 7,00  | C        | metal         | up to 1 MPa    | PTFE F56101   | B2PT     | 406538      | ● |
| 20,00          | 35,00          | 7,00  | A        | grooved       | 0,05           | 75 FKM 585    | BAUMX7   | 439221      | ○ |
| 20,00          | 35,00          | 7,00  | A        | smooth        | 0,05           | 72 NBR 902    | BAUX2    | 478761      | ● |
| 20,00          | 35,00          | 7,00  | AS       | smooth        | 0,05           | 72 NBR 902    | BAUSLX2  | 478764      | ● |
| 20,00          | 35,00          | 7,00  | AS       | grooved       | 0,05           | 75 FKM 585    | BAUMSLX7 | 521004      | ● |
| 20,00          | 35,00          | 7,00  | B        | metal         | 0,02           | 72 NBR 902    | B1FUD    | 532628      | ● |
| 20,00          | 35,00          | 8,00  | A        | smooth        | 0,05           | 72 NBR 902    | BAU      | 7081        | ● |
| 20,00          | 35,00          | 10,00 | B        | metal         | 0,05           | 72 NBR 902    | B1U      | 19698       | ● |
| 20,00          | 35,00          | 10,00 | B        | metal         | 0,05           | 72 NBR 902    | B1USL    | 20070       | ● |
| 20,00          | 35,00          | 10,00 | C        | metal         | 0,05           | 72 NBR 902    | B2U      | 22689       | ● |
| 20,00          | 35,00          | 10,00 | A        | smooth        | 0,05           | 72 NBR 902    | BAUX2    | 49018325    | ● |
| 20,00          | 35,00          | 10,00 | A        | smooth        | 0,05           | 72 NBR 902    | BAUSL    | 7095        | ● |
| 20,00          | 36,00          | 7,00  | A        | grooved       | 0,05           | 75 FKM 585    | BAUMX7   | 478616      | ● |
| 20,00          | 36,00          | 7,00  | A        | smooth        | 0,05           | 72 NBR 902    | BAUX2    | 49007343    | ● |
| 20,00          | 37,00          | 6,00  | B        | metal         | 0,05           | 72 NBR 902    | B1       | 19360       | ● |
| 20,00          | 37,00          | 6,00  | A        | metal         | un-pressurised | 80 FKM 177459 | MSC 02   | 508606      | ● |
| 20,00          | 37,00          | 6,00  | A        | metal         | un-pressurised | 80 NBR 177458 | MSC 02   | 508630      | ● |
| 20,00          | 37,00          | 6,00  | A        | grooved       | 0,05           | 75 FKM 585    | BAUMX7   | 524289      | ● |
| 20,00          | 37,00          | 6,00  | AS       | grooved       | 0,05           | 75 FKM 585    | BAUMSLX7 | 524329      | ● |
| 20,00          | 37,00          | 10,00 | C        | metal         | 0,05           | 72 NBR 902    | B2       | 22875       | ● |
| 20,00          | 37,00          | 10,00 | A        | smooth        | 0,05           | 72 NBR 902    | BAU      | 7110        | ● |
| 20,00          | 38,00          | 8,00  | A        | smooth        | 0,05           | 72 NBR 902    | BA       | 7112        | ● |
| 20,00          | 40,00          | 6,00  | A        | smooth        | 0,05           | 72 NBR 902    | BA       | 7714        | ● |
| 20,00          | 40,00          | 7,00  | B        | metal         | 0,05           | 72 NBR 902    | B1       | 19362       | ● |
| 20,00          | 40,00          | 7,00  | B        | metal         | 0,05           | 72 NBR 902    | B1       | 19363       | ● |
| 20,00          | 40,00          | 7,00  | A        | grooved       | 0,02           | 72 NBR 902    | BAFUDX7  | 344888      | ● |
| 20,00          | 40,00          | 7,00  | BS       | metal         | 0,05           | 72 NBR 902    | B1SL     | 34892       | ● |
| 20,00          | 40,00          | 7,00  | A        | grooved       | 0,05           | 75 FKM 585    | BAUMX7   | 397819      | ● |
| 20,00          | 40,00          | 7,00  | C        | metal         | up to 1 MPa    | PTFE F56101   | B2PT     | 406539      | ● |
| 20,00          | 40,00          | 7,00  | AS       | smooth        | *              | 75 FKM 595    | BABSL    | 432903      | ● |
| 20,00          | 40,00          | 7,00  | AS       | smooth        | *              | 72 NBR 902    | BABSL    | 49001289    | ● |
| 20,00          | 40,00          | 7,00  | A        | smooth        | 0,05           | 72 NBR 902    | BAUX2    | 529398      | ● |
| 20,00          | 40,00          | 7,00  | A        | smooth        | 0,05           | 72 NBR 902    | BA       | 7718        | ○ |
| 20,00          | 40,00          | 7,00  | AS       | smooth        | 0,05           | 72 NBR 902    | BASL     | 7721        | ● |
| 20,00          | 40,00          | 8,00  | A        | smooth        | 0,05           | 72 NBR 902    | BA       | 7124        | ● |
| 20,00          | 40,00          | 10,00 | A        | smooth        | 0,05           | 72 NBR 902    | BA       | 11604       | ● |
| 20,00          | 40,00          | 10,00 | B        | metal         | 0,05           | 72 NBR 902    | B1       | 19699       | ● |
| 20,00          | 40,00          | 10,00 | B        | metal         | 0,05           | 72 NBR 902    | B1USL    | 20071       | ● |
| 20,00          | 40,00          | 10,00 | C        | metal         | 0,05           | 72 NBR 902    | B2U      | 22877       | ● |
| 20,00          | 40,00          | 10,00 | A        | smooth        | 0,05           | 72 NBR 902    | BAU      | 7136        | ● |
| 20,00          | 40,00          | 14,00 | A        | smooth        | 0,05           | 72 NBR 902    | BADUO    | 7147        | ○ |

● Available from stock    ○ On request: Tool is available, delivery at short notice    \* → Diagram 2, page 18

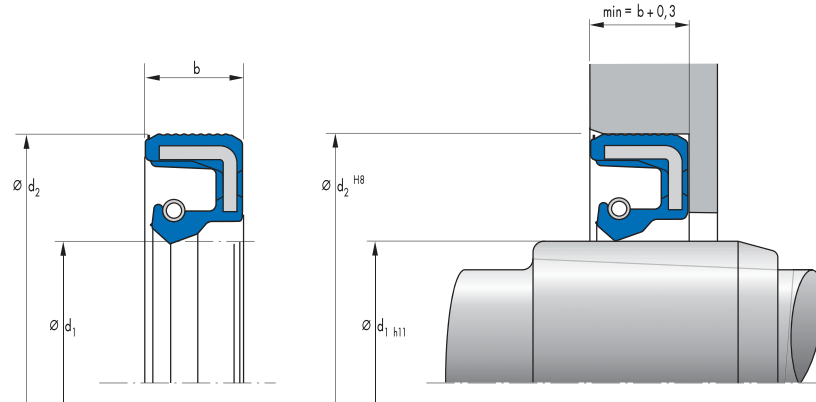


| d <sub>1</sub> | d <sub>2</sub> | b     | DIN 3761 | Outer surface | Pressure    | Material    | Type     | Article No. |   |
|----------------|----------------|-------|----------|---------------|-------------|-------------|----------|-------------|---|
| 20,00          | 42,00          | 6,00  | AS       | smooth        | 0,05        | 75 FKM 585  | BAUMSL   | 527066      | ● |
| 20,00          | 42,00          | 6,00  | -        | smooth        | 0,05        | 75 FKM 585  | MSS 1    | 527075      | ● |
| 20,00          | 42,00          | 7,00  | B        | metal         | 0,02        | 72 NBR 902  | B1FUD    | 334381      | ● |
| 20,00          | 42,00          | 7,00  | A        | grooved       | 0,05        | 75 FKM 585  | BAUMX7   | 403079      | ● |
| 20,00          | 42,00          | 7,00  | AS       | grooved       | 0,05        | 75 FKM 585  | BAUMSLX7 | 405792      | ● |
| 20,00          | 42,00          | 7,00  | AS       | smooth        | 0,05        | 72 NBR 902  | BAUSLX2  | 49004094    | ● |
| 20,00          | 42,00          | 7,00  | A        | smooth        | 0,05        | 72 NBR 902  | BAUX2    | 521667      | ● |
| 20,00          | 42,00          | 10,00 | B        | metal         | 0,05        | 72 NBR 902  | B1U      | 19700       | ● |
| 20,00          | 42,00          | 10,00 | C        | metal         | 0,05        | 72 NBR 902  | B2U      | 22690       | ● |
| 20,00          | 42,00          | 10,00 | A        | smooth        | 0,05        | 72 NBR 902  | BA       | 7723        | ● |
| 20,00          | 47,00          | 7,00  | AS       | smooth        | 0,02        | 72 NBR 902  | BAFUDSL  | 12011119    | ● |
| 20,00          | 47,00          | 7,00  | B        | metal         | 0,05        | 72 NBR 902  | B1U      | 210         | ● |
| 20,00          | 47,00          | 7,00  | A        | grooved       | 0,05        | 75 FKM 585  | BAUMX7   | 399832      | ● |
| 20,00          | 47,00          | 7,00  | C        | metal         | up to 1 MPa | PTFE F56101 | B2PT     | 406540      | ● |
| 20,00          | 47,00          | 7,00  | AS       | grooved       | 0,05        | 75 FKM 585  | BAUMSLX7 | 524288      | ● |
| 20,00          | 47,00          | 7,00  | A        | smooth        | 0,05        | 72 NBR 902  | BAUX2    | 526946      | ● |
| 20,00          | 47,00          | 10,00 | C        | metal         | 0,05        | 72 NBR 902  | B2       | 22878       | ● |
| 20,00          | 47,00          | 10,00 | A        | smooth        | 0,05        | 72 NBR 902  | BAU      | 7724        | ● |
| 20,00          | 47,00          | 10,00 | B        | metal         | 0,05        | 72 NBR 902  | B1U      | 8024        | ● |
| 20,00          | 50,00          | 12,00 | C        | metal         | 0,05        | 72 NBR 902  | B2       | 22879       | ● |
| 20,00          | 52,00          | 6,00  | AS       | smooth        | 0,05        | 75 FKM 585  | BAUMSL   | 531003      | ● |
| 20,00          | 52,00          | 6,00  | -        | smooth        | 0,05        | 75 FKM 585  | MSS 1    | 531002      | ● |
| 20,00          | 52,00          | 7,00  | B        | metal         | 0,05        | 72 NBR 902  | B1U      | 7790        | ● |
| 20,00          | 52,00          | 8,00  | AS       | smooth        | 0,05        | 72 NBR 902  | BAUSLX2  | 526094      | ● |
| 20,00          | 52,00          | 10,00 | C        | metal         | 0,05        | 72 NBR 902  | B2       | 22880       | ● |
| 20,00          | 52,00          | 10,00 | A        | grooved       | 0,05        | 75 FKM 585  | BAUMX7   | 402488      | ● |
| 20,00          | 52,00          | 10,00 | A        | smooth        | 0,05        | 72 NBR 902  | BAUX2    | 478760      | ● |
| 21,00          | 30,00          | 6,50  | B        | metal         | 0,05        | 72 NBR 902  | B1       | 19369       | ● |
| 21,00          | 32,00          | 7,00  | B        | metal         | 0,05        | 72 NBR 902  | B1       | 19371       | ● |
| 21,00          | 32,00          | 7,00  | A        | smooth        | 0,05        | 72 NBR 902  | BAUX2    | 49034522    | ● |
| 21,00          | 32,00          | 7,00  | A        | smooth        | 0,05        | 72 NBR 902  | BAU      | 7194        | ● |
| 21,00          | 35,00          | 8,00  | A        | smooth        | 0,05        | 72 NBR 902  | BA       | 7197        | ● |
| 21,00          | 35,00          | 10,00 | C        | metal         | 0,05        | 72 NBR 902  | B2U      | 22691       | ● |
| 21,00          | 40,00          | 10,00 | A        | smooth        | 0,05        | 72 NBR 902  | BAU      | 7209        | ● |
| 22,00          | 32,00          | 6,00  | B        | metal         | 0,05        | 72 NBR 902  | B1U      | 19376       | ● |
| 22,00          | 32,00          | 6,00  | AS       | smooth        | *           | 72 NBR 902  | BABSL    | 2966        | ● |

● Available from stock ○ On request: Tool is available, delivery at short notice \* → Diagram 2, page 18

| d <sub>1</sub> | d <sub>2</sub> | b     | DIN 3761 | Outer surface | Pressure       | Material      | Type      | Article No. |   |
|----------------|----------------|-------|----------|---------------|----------------|---------------|-----------|-------------|---|
| 22,00          | 32,00          | 6,00  | AS       | smooth        | *              | 75 FKM 595    | BABSL     | 418603      | ● |
| 22,00          | 32,00          | 7,00  | BS       | metal         | 0,05           | 72 NBR 902    | B1SL      | 20072       | ● |
| 22,00          | 32,00          | 7,00  | B        | metal         | 0,02           | 72 NBR 902    | B1FUD     | 335094      | ● |
| 22,00          | 32,00          | 7,00  | A        | grooved       | 0,05           | 75 FKM 585    | BAUMX7    | 402894      | ● |
| 22,00          | 32,00          | 7,00  | A        | smooth        | 0,02           | 72 NBR 902    | BAFUD     | 49001651    | ● |
| 22,00          | 32,00          | 7,00  | A        | smooth        | 0,05           | 72 NBR 902    | BA        | 7217        | ● |
| 22,00          | 32,00          | 7,00  | AS       | smooth        | 0,05           | 72 NBR 902    | BASL      | 7530        | ● |
| 22,00          | 33,00          | 7,00  | A        | smooth        | 0,05           | 72 NBR 902    | BAU       | 8976        | ● |
| 22,00          | 35,00          | 5,00  | AS       | grooved       | 0,05           | 75 FKM 585    | BAUMSLX27 | 520867      | ● |
| 22,00          | 35,00          | 6,00  | AS       | smooth        | *              | 72 NBR 902    | BABSL     | 2968        | ● |
| 22,00          | 35,00          | 6,00  | AS       | smooth        | *              | 75 FKM 595    | BABSL     | 348896      | ● |
| 22,00          | 35,00          | 6,50  | A        | smooth        | 0,05           | 72 NBR 902    | BAU       | 7230        | ● |
| 22,00          | 35,00          | 7,00  | B        | metal         | 0,05           | 72 NBR 902    | B1U       | 19705       | ● |
| 22,00          | 35,00          | 7,00  | B        | metal         | 0,05           | 72 NBR 902    | B1USL     | 20073       | ● |
| 22,00          | 35,00          | 7,00  | AS       | grooved       | 0,02           | 72 NBR 902    | BAFUDSLX7 | 346137      | ● |
| 22,00          | 35,00          | 7,00  | A        | grooved       | 0,05           | 75 FKM 585    | BAUMX7    | 388023      | ● |
| 22,00          | 35,00          | 7,00  | A        | smooth        | 0,05           | 72 NBR 902    | BAUX2     | 49001670    | ● |
| 22,00          | 35,00          | 7,00  | AS       | grooved       | 0,05           | 75 FKM 585    | BAUMSLX7  | 520223      | ● |
| 22,00          | 35,00          | 8,00  | B        | metal         | 0,05           | 72 NBR 902    | B1        | 20259       | ● |
| 22,00          | 35,00          | 8,00  | A        | smooth        | 0,05           | 72 NBR 902    | BA        | 7727        | ● |
| 22,00          | 35,00          | 10,00 | A        | smooth        | 0,05           | 72 NBR 902    | BAU       | 7238        | ● |
| 22,00          | 37,00          | 7,00  | A        | smooth        | 0,05           | 72 NBR 902    | BA        | 7243        | ● |
| 22,00          | 38,00          | 8,00  | A        | smooth        | 0,05           | 72 NBR 902    | BA        | 7249        | ● |
| 22,00          | 40,00          | 4,00  | A        | metal         | un-pressurised | 80 NBR 177458 | MSC 01    | 508520      | ● |
| 22,00          | 40,00          | 4,00  | A        | metal         | un-pressurised | 80 FKM 177459 | MSC 01    | 508568      | ● |
| 22,00          | 40,00          | 7,00  | A        | smooth        | 0,02           | 72 NBR 902    | BAFUD     | 12011120    | ● |
| 22,00          | 40,00          | 7,00  | B        | metal         | 0,05           | 72 NBR 902    | B1        | 13976       | ● |
| 22,00          | 40,00          | 7,00  | B        | metal         | 0,05           | 72 NBR 902    | B1USL     | 3489        | ● |
| 22,00          | 40,00          | 7,00  | A        | grooved       | 0,05           | 75 FKM 585    | BAUMX7    | 410775      | ● |
| 22,00          | 40,00          | 7,00  | AS       | smooth        | 0,05           | 72 NBR 902    | BAUSLX2   | 478610      | ● |
| 22,00          | 40,00          | 7,00  | A        | smooth        | 0,05           | 72 NBR 902    | BAUX2     | 478757      | ● |
| 22,00          | 40,00          | 7,00  | AS       | smooth        | *              | 75 FKM 595    | BABSL     | 49028556    | ○ |
| 22,00          | 40,00          | 7,00  | AS       | grooved       | 0,05           | 75 FKM 585    | BAUMSLX7  | 520028      | ● |
| 22,00          | 40,00          | 7,00  | A        | grooved       | 0,05           | 75 FKM 585    | BAUMX7    | 528161      | ○ |
| 22,00          | 40,00          | 8,00  | A        | smooth        | 0,05           | 72 NBR 902    | BAU       | 7252        | ● |
| 22,00          | 40,00          | 9,00  | AS       | smooth        | 0,05           | 72 NBR 902    | BASL      | 7254        | ○ |
| 22,00          | 40,00          | 10,00 | B        | metal         | 0,05           | 72 NBR 902    | B1U       | 19707       | ● |
| 22,00          | 40,00          | 10,00 | C        | metal         | 0,05           | 72 NBR 902    | B2U       | 22883       | ● |
| 22,00          | 40,00          | 10,00 | A        | smooth        | 0,05           | 72 NBR 902    | BAU       | 7259        | ● |
| 22,00          | 42,00          | 10,00 | B        | metal         | 0,05           | 72 NBR 902    | B1        | 19708       | ● |
| 22,00          | 42,00          | 10,00 | C        | metal         | 0,05           | 72 NBR 902    | B2        | 22884       | ● |
| 22,00          | 42,00          | 10,00 | A        | smooth        | 0,05           | 72 NBR 902    | BAU       | 7269        | ● |
| 22,00          | 45,00          | 7,00  | A        | smooth        | 0,05           | 72 NBR 902    | BAU       | 7273        | ● |
| 22,00          | 47,00          | 7,00  | B        | metal         | 0,05           | 72 NBR 902    | B1        | 2720        | ● |
| 22,00          | 47,00          | 7,00  | AS       | grooved       | 0,05           | 75 FKM 585    | BAUMSLX7  | 405788      | ● |
| 22,00          | 47,00          | 7,00  | A        | grooved       | 0,05           | 75 FKM 585    | BAUMX7    | 523972      | ● |
| 22,00          | 47,00          | 7,00  | A        | smooth        | 0,05           | 72 NBR 902    | BAUX2     | 524511      | ● |
| 22,00          | 47,00          | 7,00  | AS       | smooth        | 0,05           | 72 NBR 902    | BAUSLX2   | 526318      | ● |
| 22,00          | 47,00          | 9,00  | C        | metal         | 0,05           | 72 NBR 902    | B2        | 38026       | ○ |
| 22,00          | 47,00          | 10,00 | B        | metal         | 0,05           | 72 NBR 902    | B1U       | 19709       | ○ |

● Available from stock    ○ On request: Tool is available, delivery at short notice    \* → Diagram 2, page 18

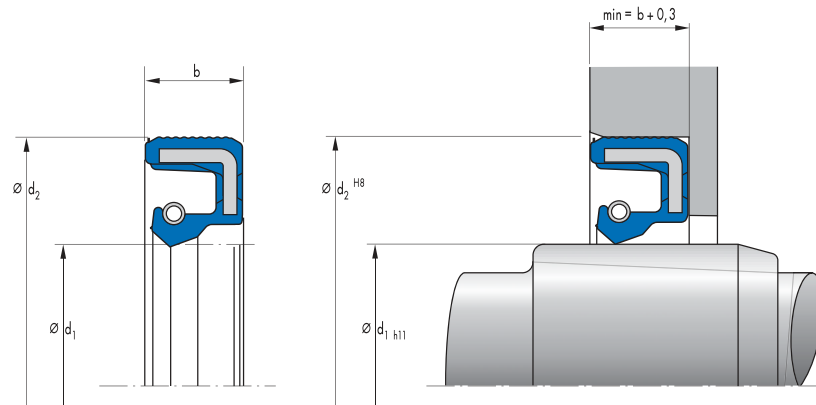


| d <sub>1</sub> | d <sub>2</sub> | b     | DIN 3761 | Outer surface | Pressure       | Material      | Type      | Article No. |   |
|----------------|----------------|-------|----------|---------------|----------------|---------------|-----------|-------------|---|
| 22,00          | 47,00          | 10,00 | C        | metal         | 0,05           | 72 NBR 902    | B2U       | 22693       | ● |
| 22,00          | 47,00          | 10,00 | A        | smooth        | 0,05           | 72 NBR 902    | BAU       | 7282        | ● |
| 22,00          | 52,00          | 10,00 | AS       | grooved       | 0,05           | 75 FKM 585    | BAUMSLX7  | 523044      | ● |
| 22,00          | 62,00          | 10,00 | AS       | smooth        | 0,05           | 72 NBR 902    | BAUSLX2   | 520529      | ● |
| 23,00          | 40,00          | 8,00  | AS       | grooved       | 0,02           | 72 NBR 902    | BAFUDSLX7 | 397856      | ○ |
| 23,00          | 40,00          | 8,00  | A        | smooth        | 0,05           | 72 NBR 902    | BAU       | 7301        | ● |
| 23,00          | 40,00          | 10,00 | C        | metal         | 0,05           | 72 NBR 902    | B2        | 22886       | ○ |
| 23,00          | 40,00          | 10,00 | A        | grooved       | 0,02           | 72 NBR 902    | BAFUDX7   | 334797      | ● |
| 23,00          | 42,00          | 10,00 | A        | smooth        | 0,05           | 72 NBR 902    | BAU       | 339040      | ● |
| 23,00          | 47,00          | 10,00 | A        | smooth        | 0,05           | 72 NBR 902    | BA        | 7311        | ● |
| 24,00          | 32,00          | 7,00  | BS       | metal         | 0,05           | 72 NBR 902    | B1SL      | 20074       | ● |
| 24,00          | 35,00          | 7,00  | B        | metal         | 0,05           | 72 NBR 902    | B1        | 13985       | ● |
| 24,00          | 35,00          | 7,00  | A        | grooved       | 0,05           | 75 FKM 585    | BAUMX7    | 394587      | ● |
| 24,00          | 35,00          | 7,00  | A        | smooth        | 0,05           | 72 NBR 902    | BAU       | 523554      | ● |
| 24,00          | 36,00          | 6,00  | B        | metal         | 0,05           | 72 NBR 902    | B1        | 19388       | ● |
| 24,00          | 36,00          | 7,00  | AS       | smooth        | 0,05           | 72 NBR 902    | BASL      | 7325        | ● |
| 24,00          | 36,00          | 9,00  | A        | smooth        | 0,05           | 72 NBR 902    | BAU       | 7329        | ● |
| 24,00          | 37,00          | 7,00  | A        | grooved       | 0,05           | 75 FKM 585    | BAUMX7    | 397820      | ● |
| 24,00          | 37,00          | 7,00  | A        | smooth        | 0,05           | 72 NBR 902    | BAU       | 7331        | ● |
| 24,00          | 37,00          | 7,00  | B        | metal         | 0,05           | 72 NBR 902    | B1        | 7942        | ● |
| 24,00          | 40,00          | 4,00  | A        | metal         | un-pressurised | 80 NBR 177458 | MSC 01    | 508521      | ● |
| 24,00          | 40,00          | 4,00  | A        | metal         | un-pressurised | 80 FKM 177459 | MSC 01    | 508569      | ● |
| 24,00          | 40,00          | 7,00  | B        | metal         | 0,05           | 72 NBR 902    | B1U       | 2721        | ● |
| 24,00          | 40,00          | 7,00  | A        | smooth        | 0,05           | 72 NBR 902    | BA        | 37887       | ● |
| 24,00          | 40,00          | 7,00  | AS       | grooved       | 0,05           | 75 FKM 585    | BAUMSLX7  | 404319      | ● |
| 24,00          | 40,00          | 7,00  | AS       | smooth        | *              | 72 NBR 902    | BABSL     | 432530      | ● |
| 24,00          | 40,00          | 10,00 | C        | metal         | 0,05           | 72 NBR 902    | B2U       | 22888       | ● |
| 24,00          | 40,00          | 10,00 | A        | smooth        | 0,05           | 72 NBR 902    | BAU       | 7337        | ● |
| 24,00          | 42,00          | 10,00 | C        | metal         | 0,05           | 72 NBR 902    | B2U       | 22889       | ● |
| 24,00          | 42,00          | 10,00 | A        | smooth        | 0,05           | 72 NBR 902    | BA        | 7340        | ● |
| 24,00          | 47,00          | 7,00  | A        | smooth        | 0,05           | 72 NBR 902    | BA        | 13989       | ● |
| 24,00          | 47,00          | 7,00  | B        | metal         | 0,05           | 72 NBR 902    | B1        | 2723        | ● |
| 24,00          | 47,00          | 10,00 | B        | metal         | 0,05           | 72 NBR 902    | B1U       | 19713       | ● |
| 24,00          | 47,00          | 10,00 | A        | smooth        | 0,05           | 72 NBR 902    | BAUX2     | 533292      | ● |
| 24,00          | 47,00          | 10,00 | C        | metal         | 0,05           | 72 NBR 902    | B2U       | 8071        | ● |
| 24,00          | 50,00          | 10,00 | A        | smooth        | 0,05           | 72 NBR 902    | BAU       | 7350        | ● |

● Available from stock    ○ On request: Tool is available, delivery at short notice    \* → Diagram 2, page 18

| d <sub>1</sub> | d <sub>2</sub> | b     | DIN 3761 | Outer surface | Pressure       | Material      | Type     | Article No. |   |
|----------------|----------------|-------|----------|---------------|----------------|---------------|----------|-------------|---|
| 24,00          | 52,00          | 12,00 | C        | metal         | 0,05           | 72 NBR 902    | B2U      | 22893       | ● |
| 24,00          | 62,00          | 10,00 | A        | grooved       | 0,05           | 72 NBR 902    | BAUX27   | 451668      | ● |
| 25,00          | 32,00          | 5,00  | B        | metal         | un-pressurised | 72 NBR 902    | B1OF     | 23841       | ● |
| 25,00          | 32,00          | 7,00  | BS       | metal         | 0,02           | 72 NBR 902    | B1FUDSL  | 335096      | ● |
| 25,00          | 33,00          | 6,00  | A        | smooth        | 0,05           | 72 NBR 902    | BA       | 347393      | ○ |
| 25,00          | 33,00          | 6,00  | A        | smooth        | 0,02           | 72 NBR 902    | BAFUD    | 532600      | ● |
| 25,00          | 35,00          | 6,00  | AS       | smooth        | *              | 72 NBR 902    | BABSL    | 2990        | ● |
| 25,00          | 35,00          | 6,00  | AS       | smooth        | *              | 75 FKM 595    | BABSL    | 342369      | ● |
| 25,00          | 35,00          | 7,00  | A        | smooth        | 0,05           | 72 NBR 902    | BADUO    | 3473        | ○ |
| 25,00          | 35,00          | 7,00  | A        | grooved       | 0,05           | 75 FKM 585    | BAUMX7   | 397821      | ● |
| 25,00          | 35,00          | 7,00  | AS       | smooth        | 0,05           | 72 NBR 902    | BAUSLX2  | 478777      | ● |
| 25,00          | 35,00          | 7,00  | A        | smooth        | 0,05           | 72 NBR 902    | BAUX2    | 49001662    | ● |
| 25,00          | 35,00          | 7,00  | A        | smooth        | 0,05           | 72 NBR 902    | BAUX2    | 49010730    | ○ |
| 25,00          | 35,00          | 7,00  | AS       | grooved       | 0,05           | 75 FKM 585    | BAUMSLX7 | 49027215    | ● |
| 25,00          | 35,00          | 7,00  | B        | metal         | 0,02           | 72 NBR 902    | B1FUD    | 532629      | ● |
| 25,00          | 35,00          | 8,00  | A        | smooth        | 0,05           | 72 NBR 902    | BAU      | 7374        | ● |
| 25,00          | 36,00          | 6,00  | AS       | smooth        | *              | 72 NBR 902    | BABSL    | 527283      | ● |
| 25,00          | 36,00          | 7,00  | A        | smooth        | 0,05           | 72 NBR 902    | BA       | 7380        | ● |
| 25,00          | 37,00          | 5,00  | A        | smooth        | 0,02           | 72 NBR 902    | BAFUD    | 12010847    | ● |
| 25,00          | 37,00          | 6,00  | AS       | smooth        | *              | 72 NBR 902    | BABSL    | 49009338    | ● |
| 25,00          | 37,00          | 6,00  | AS       | smooth        | *              | 75 FKM 595    | BABSL    | 520074      | ● |
| 25,00          | 37,00          | 7,00  | B        | metal         | 0,05           | 72 NBR 902    | B1U      | 19392       | ● |
| 25,00          | 37,00          | 7,00  | A        | smooth        | 0,05           | 72 NBR 902    | BA       | 317308      | ○ |
| 25,00          | 37,00          | 7,00  | A        | smooth        | 0,05           | 72 NBR 902    | BAUX2    | 49028651    | ● |
| 25,00          | 37,00          | 7,00  | A        | smooth        | 0,05           | 75 FKM 585    | BAUM     | 49033008    | ● |
| 25,00          | 38,00          | 7,00  | B        | metal         | 0,05           | 72 NBR 902    | B1       | 19394       | ● |
| 25,00          | 38,00          | 7,00  | C        | metal         | up to 1 MPa    | PTFE F56101   | B2PT     | 406568      | ● |
| 25,00          | 38,00          | 7,00  | A        | grooved       | 0,05           | 75 FKM 585    | BAUMX7   | 410776      | ● |
| 25,00          | 38,00          | 7,00  | AS       | grooved       | 0,05           | 75 FKM 585    | BAUMSLX7 | 529448      | ● |
| 25,00          | 38,00          | 7,00  | A        | smooth        | 0,05           | 72 NBR 902    | BA       | 7389        | ● |
| 25,00          | 40,00          | 4,00  | A        | metal         | un-pressurised | 80 NBR 177458 | MSC 01   | 508522      | ● |
| 25,00          | 40,00          | 4,00  | A        | metal         | un-pressurised | 80 FKM 177459 | MSC 01   | 508571      | ● |
| 25,00          | 40,00          | 5,00  | A        | smooth        | 0,05           | 75 FKM 595    | BAUM     | 342330      | ○ |
| 25,00          | 40,00          | 5,00  | A        | grooved       | 0,02           | 72 NBR 902    | BAFUDX27 | 355425      | ● |
| 25,00          | 40,00          | 5,00  | A        | grooved       | 0,05           | 75 FKM 585    | BAUMX27  | 526412      | ● |
| 25,00          | 40,00          | 6,00  | B        | metal         | 0,05           | 72 NBR 902    | B1       | 19395       | ● |
| 25,00          | 40,00          | 7,00  | AS       | smooth        | *              | 72 NBR 902    | BABSL    | 307424      | ● |
| 25,00          | 40,00          | 7,00  | A        | smooth        | 0,05           | 72 NBR 902    | BAU      | 324743      | ● |
| 25,00          | 40,00          | 7,00  | B        | metal         | 0,05           | 72 NBR 902    | B1U      | 3579        | ● |
| 25,00          | 40,00          | 7,00  | AS       | smooth        | *              | 75 FKM 595    | BABSL    | 366923      | ● |
| 25,00          | 40,00          | 7,00  | A        | grooved       | 0,05           | 75 FKM 585    | BAUMX7   | 400258      | ● |
| 25,00          | 40,00          | 7,00  | C        | metal         | up to 1 MPa    | PTFE F56101   | B2PT     | 406569      | ● |
| 25,00          | 40,00          | 7,00  | AS       | grooved       | 0,05           | 75 FKM 585    | BAUMSLX7 | 410111      | ● |
| 25,00          | 40,00          | 7,00  | AS       | smooth        | 0,05           | 72 NBR 902    | BAUSLX2  | 524142      | ● |
| 25,00          | 40,00          | 7,00  | A        | smooth        | 0,05           | 72 NBR 902    | BAUX2    | 529328      | ● |
| 25,00          | 40,00          | 8,00  | B        | metal         | 0,05           | 72 NBR 902    | B1U      | 19716       | ● |
| 25,00          | 40,00          | 8,00  | AS       | smooth        | 0,05           | 75 FKM 585    | BAUMSL   | 423186      | ○ |
| 25,00          | 40,00          | 8,00  | AS       | smooth        | 0,05           | 72 NBR 902    | BAUSLX2  | 49017913    | ● |
| 25,00          | 40,00          | 9,00  | C        | metal         | 0,05           | 72 NBR 902    | B2U      | 2490        | ● |
| 25,00          | 40,00          | 9,00  | A        | smooth        | 0,05           | 72 NBR 902    | BAUSL    | 7413        | ● |

● Available from stock ○ On request: Tool is available, delivery at short notice \* → Diagram 2, page 18

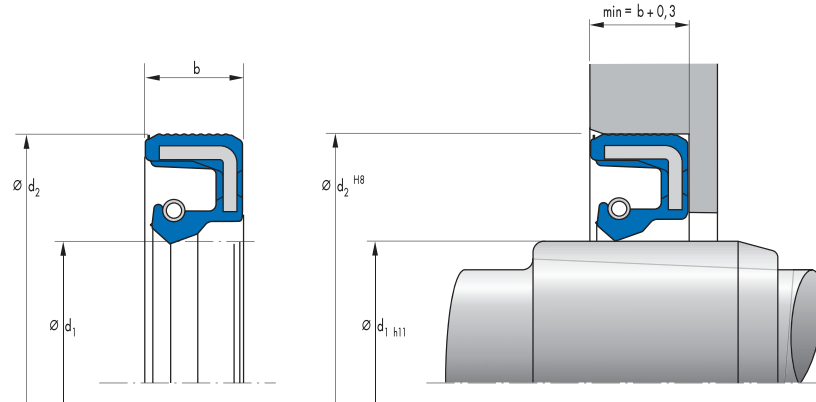


| d <sub>1</sub> | d <sub>2</sub> | b     | DIN 3761 | Outer surface | Pressure       | Material      | Type    | Article No. |   |
|----------------|----------------|-------|----------|---------------|----------------|---------------|---------|-------------|---|
| 25,00          | 40,00          | 10,00 | B        | metal         | 0,05           | 72 NBR 902    | B1U     | 19717       | ● |
| 25,00          | 40,00          | 10,00 | C        | metal         | 0,05           | 72 NBR 902    | B2U     | 22694       | ● |
| 25,00          | 40,00          | 10,00 | A        | grooved       | 0,02           | 72 NBR 902    | BAFUDX7 | 334805      | ● |
| 25,00          | 41,00          | 10,00 | C        | metal         | 0,05           | 72 NBR 902    | B2      | 22894       | ○ |
| 25,00          | 42,00          | 6,00  | AS       | smooth        | *              | 72 NBR 902    | BABSL   | 12001675    | ● |
| 25,00          | 42,00          | 6,00  | A        | smooth        | 0,02           | 72 NBR 902    | BAFUD   | 12010853    | ● |
| 25,00          | 42,00          | 6,00  | A        | smooth        | 0,05           | 75 FKM 585    | BAUM    | 49036524    | ○ |
| 25,00          | 42,00          | 6,00  | A        | metal         | un-pressurised | 80 FKM 177459 | MSC 02  | 508607      | ● |
| 25,00          | 42,00          | 6,00  | A        | metal         | un-pressurised | 80 NBR 177458 | MSC 02  | 508631      | ● |
| 25,00          | 42,00          | 6,00  | AS       | smooth        | 0,05           | 72 NBR 902    | BAUSLX2 | 522901      | ● |
| 25,00          | 42,00          | 6,00  | AS       | smooth        | 0,05           | 75 FKM 585    | BAUMSL  | 522919      | ● |
| 25,00          | 42,00          | 6,00  | AS       | smooth        | *              | 75 FKM 595    | BABSL   | 523934      | ● |
| 25,00          | 42,00          | 7,00  | A        | smooth        | 0,05           | 72 NBR 902    | BAU     | 112421      | ○ |
| 25,00          | 42,00          | 7,00  | B        | metal         | 0,05           | 75 FKM 595    | B1U     | 329294      | ○ |
| 25,00          | 42,00          | 7,00  | B        | metal         | 0,02           | 72 NBR 902    | B1FUD   | 334379      | ● |
| 25,00          | 42,00          | 7,00  | A        | grooved       | 0,05           | 75 FKM 585    | BAUMX7  | 390889      | ● |
| 25,00          | 42,00          | 7,00  | C        | metal         | up to 1 MPa    | PTFE F56101   | B2PT    | 406570      | ● |
| 25,00          | 42,00          | 7,00  | A        | grooved       | 0,05           | 75 FKM 585    | BAUMX7  | 439222      | ○ |
| 25,00          | 42,00          | 7,00  | A        | smooth        | 0,05           | 72 NBR 902    | BAUX2   | 478756      | ● |
| 25,00          | 42,00          | 7,00  | AS       | smooth        | 0,05           | 72 NBR 902    | BAUSLX2 | 478776      | ● |
| 25,00          | 42,00          | 7,00  | A        | grooved       | 0,05           | 75 FKM 585    | BAUMX7  | 522783      | ○ |
| 25,00          | 42,00          | 9,00  | C        | metal         | 0,05           | 72 NBR 902    | B2U     | 4571        | ● |
| 25,00          | 42,00          | 10,00 | B        | metal         | 0,05           | 72 NBR 902    | B1U     | 19718       | ● |
| 25,00          | 42,00          | 10,00 | B        | metal         | 0,05           | 72 NBR 902    | B1      | 19719       | ● |
| 25,00          | 42,00          | 10,00 | BS       | metal         | 0,05           | 72 NBR 902    | B1SL    | 20077       | ● |
| 25,00          | 42,00          | 10,00 | C        | metal         | 0,05           | 72 NBR 902    | B2U     | 22895       | ● |
| 25,00          | 42,00          | 10,00 | A        | grooved       | 0,02           | 72 NBR 902    | BAFUDX7 | 334806      | ● |
| 25,00          | 42,00          | 10,00 | A        | smooth        | 0,05           | 72 NBR 902    | BA      | 7426        | ● |
| 25,00          | 42,90          | 9,50  | B        | metal         | 0,05           | 72 NBR 902    | B1      | 19720       | ● |
| 25,00          | 42,90          | 9,50  | A        | smooth        | 0,05           | 72 NBR 902    | BA      | 7746        | ● |
| 25,00          | 43,00          | 10,00 | A        | smooth        | 0,05           | 72 NBR 902    | BA      | 7438        | ● |
| 25,00          | 45,00          | 7,00  | A        | grooved       | 0,05           | 75 FKM 585    | BAUMX7  | 410777      | ● |
| 25,00          | 45,00          | 10,00 | B        | metal         | 0,05           | 72 NBR 902    | B1U     | 19721       | ● |
| 25,00          | 45,00          | 10,00 | C        | metal         | 0,05           | 72 NBR 902    | B2      | 22896       | ● |
| 25,00          | 45,00          | 10,00 | A        | smooth        | 0,05           | 72 NBR 902    | BA      | 7446        | ● |
| 25,00          | 45,00          | 10,00 | A        | smooth        | 0,05           | 72 NBR 902    | BAUSL   | 7755        | ● |

● Available from stock    ○ On request: Tool is available, delivery at short notice    \* → Diagram 2, page 18

| d <sub>1</sub> | d <sub>2</sub> | b     | DIN 3761 | Outer surface | Pressure    | Material    | Type     | Article No. |   |
|----------------|----------------|-------|----------|---------------|-------------|-------------|----------|-------------|---|
| 25,00          | 45,00          | 14,00 | A        | smooth        | 0,05        | 72 NBR 902  | BADUO    | 7453        | ○ |
| 25,00          | 46,00          | 7,00  | A        | smooth        | 0,05        | 72 NBR 902  | BAU      | 7457        | ● |
| 25,00          | 47,00          | 6,00  | AS       | smooth        | *           | 72 NBR 902  | BABSL    | 2991        | ● |
| 25,00          | 47,00          | 6,00  | AS       | smooth        | *           | 75 FKM 595  | BABSL    | 418622      | ● |
| 25,00          | 47,00          | 7,00  | AS       | smooth        | 0,02        | 72 NBR 902  | BAFUDSL  | 12011125    | ● |
| 25,00          | 47,00          | 7,00  | B        | metal         | 0,02        | 72 NBR 902  | B1FUD    | 334939      | ● |
| 25,00          | 47,00          | 7,00  | BS       | metal         | 0,02        | 72 NBR 902  | B1FUDSL  | 355474      | ● |
| 25,00          | 47,00          | 7,00  | A        | grooved       | 0,05        | 75 FKM 585  | BAUMX7   | 388045      | ● |
| 25,00          | 47,00          | 7,00  | C        | metal         | up to 1 MPa | PTFE F56101 | B2PT     | 406571      | ● |
| 25,00          | 47,00          | 7,00  | AS       | grooved       | 0,05        | 75 FKM 585  | BAUMSLX7 | 436712      | ● |
| 25,00          | 47,00          | 7,00  | A        | grooved       | 0,02        | 72 NBR 902  | BAFUDX7  | 466318      | ○ |
| 25,00          | 47,00          | 7,00  | A        | smooth        | 0,05        | 72 NBR 902  | BAUX2    | 478755      | ● |
| 25,00          | 47,00          | 7,00  | AS       | smooth        | 0,05        | 72 NBR 902  | BAUSLX2  | 478790      | ● |
| 25,00          | 47,00          | 8,00  | BS       | metal         | 0,02        | 72 NBR 902  | B1FUDSL  | 421018      | ● |
| 25,00          | 47,00          | 8,00  | A        | smooth        | 0,05        | 72 NBR 902  | BA       | 7460        | ● |
| 25,00          | 47,00          | 9,00  | C        | metal         | 0,02        | 72 NBR 902  | B2FUD    | 334909      | ● |
| 25,00          | 47,00          | 10,00 | CS       | metal         | 0,05        | 72 NBR 902  | B2SL     | 33189       | ● |
| 25,00          | 47,00          | 10,00 | C        | metal         | 0,02        | 72 NBR 902  | B2FUD    | 334910      | ● |
| 25,00          | 47,00          | 10,00 | B        | metal         | 0,02        | 72 NBR 902  | B1FUD    | 334940      | ● |
| 25,00          | 47,00          | 10,00 | BS       | metal         | 0,02        | 72 NBR 902  | B1FUDSL  | 334941      | ● |
| 25,00          | 47,00          | 10,00 | A        | grooved       | 0,02        | 72 NBR 902  | BAFUDX7  | 355411      | ● |
| 25,00          | 47,00          | 10,00 | AS       | smooth        | 0,05        | 75 FKM 585  | BAUMSL   | 527065      | ● |
| 25,00          | 47,00          | 10,00 | A        | smooth        | 0,05        | 72 NBR 902  | BA       | 7467        | ● |
| 25,00          | 47,00          | 10,00 | -        | smooth        | 0,05        | 75 FKM 585  | MSS 1    | 527074      | ● |
| 25,00          | 50,00          | 7,00  | AS       | grooved       | 0,05        | 75 FKM 585  | BAUMSLX7 | 410112      | ● |
| 25,00          | 50,00          | 10,00 | B        | metal         | 0,05        | 72 NBR 902  | B1U      | 19723       | ● |
| 25,00          | 50,00          | 10,00 | C        | metal         | 0,05        | 72 NBR 902  | B2       | 22898       | ● |
| 25,00          | 50,00          | 10,00 | A        | smooth        | 0,05        | 72 NBR 902  | BA       | 7483        | ● |
| 25,00          | 50,00          | 12,00 | C        | metal         | 0,05        | 72 NBR 902  | B2       | 22899       | ● |
| 25,00          | 52,00          | 7,00  | B        | metal         | 0,02        | 72 NBR 902  | B1FUD    | 334942      | ● |
| 25,00          | 52,00          | 7,00  | B        | metal         | 0,05        | 72 NBR 902  | B1USL    | 3494        | ● |
| 25,00          | 52,00          | 7,00  | A        | grooved       | 0,05        | 75 FKM 585  | BAUMX7   | 400698      | ● |
| 25,00          | 52,00          | 7,00  | C        | metal         | up to 1 MPa | PTFE F56101 | B2PT     | 406572      | ● |
| 25,00          | 52,00          | 7,00  | AS       | grooved       | 0,05        | 75 FKM 585  | BAUMSLX7 | 524117      | ● |
| 25,00          | 52,00          | 7,00  | AS       | smooth        | 0,05        | 72 NBR 902  | BAUSLX2  | 524698      | ● |
| 25,00          | 52,00          | 7,00  | A        | smooth        | 0,02        | 72 NBR 902  | BAFUD    | 532617      | ● |
| 25,00          | 52,00          | 8,00  | B        | metal         | 0,02        | 72 NBR 902  | B1FUD    | 334943      | ● |
| 25,00          | 52,00          | 8,00  | A        | smooth        | 0,05        | 72 NBR 902  | BA       | 7488        | ● |
| 25,00          | 52,00          | 9,00  | C        | metal         | 0,02        | 72 NBR 902  | B2FUD    | 334911      | ● |
| 25,00          | 52,00          | 10,00 | A        | grooved       | 0,02        | 72 NBR 902  | BAFUDX7  | 334818      | ● |
| 25,00          | 52,00          | 10,00 | C        | metal         | 0,02        | 72 NBR 902  | B2FUD    | 334912      | ● |
| 25,00          | 52,00          | 10,00 | B        | metal         | 0,02        | 72 NBR 902  | B1FUD    | 334944      | ● |
| 25,00          | 52,00          | 10,00 | A        | smooth        | 0,05        | 72 NBR 902  | BAU      | 523415      | ● |
| 25,00          | 52,00          | 12,00 | B        | metal         | 0,05        | 72 NBR 902  | B1USL    | 20123       | ● |
| 25,00          | 52,00          | 12,00 | C        | metal         | 0,02        | 72 NBR 902  | B2FUD    | 334913      | ● |
| 25,00          | 52,00          | 12,00 | B        | metal         | 0,02        | 72 NBR 902  | B1FUD    | 334946      | ● |
| 25,00          | 62,00          | 7,00  | B        | metal         | 0,05        | 72 NBR 902  | B1U      | 128732      | ● |
| 25,00          | 62,00          | 7,00  | A        | grooved       | 0,05        | 75 FKM 585  | BAUMX7   | 422899      | ● |
| 25,00          | 62,00          | 7,00  | AS       | grooved       | 0,05        | 72 NBR 902  | BAUSLX27 | 451924      | ● |
| 25,00          | 62,00          | 10,00 | A        | grooved       | 0,02        | 72 NBR 902  | BAFUDX7  | 423372      | ● |

● Available from stock    ○ On request: Tool is available, delivery at short notice    \* → Diagram 2, page 18

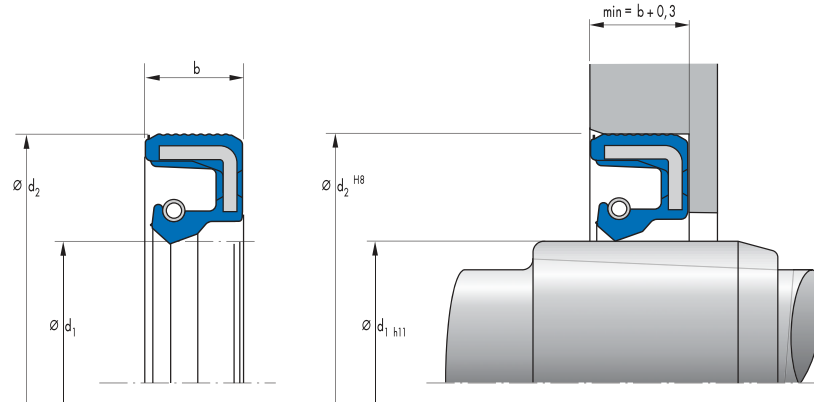


| d <sub>1</sub> | d <sub>2</sub> | b     | DIN 3761 | Outer surface | Pressure       | Material      | Type     | Article No. |   |
|----------------|----------------|-------|----------|---------------|----------------|---------------|----------|-------------|---|
| 25,00          | 62,00          | 10,00 | A        | smooth        | 0,05           | 72 NBR 902    | BAU      | 7503        | ● |
| 25,00          | 62,00          | 12,00 | C        | metal         | 0,05           | 72 NBR 902    | B2       | 22902       | ● |
| 25,40          | 38,08          | 6,76  | BS       | metal         | 0,02           | 72 NBR 902    | B1FUDSL  | 366325      | ○ |
| 25,40          | 38,10          | 6,35  | AS       | smooth        | *              | 72 NBR 902    | BABSL    | 427899      | ○ |
| 26,00          | 35,00          | 7,00  | AS       | smooth        | 0,02           | 72 NBR 902    | BAFUDSL  | 12000470    | ● |
| 26,00          | 35,00          | 7,00  | B        | metal         | 0,05           | 72 NBR 902    | B1U      | 7947        | ● |
| 26,00          | 36,00          | 7,00  | A        | smooth        | 0,05           | 72 NBR 902    | BAU      | 7520        | ● |
| 26,00          | 37,00          | 7,00  | B        | metal         | 0,05           | 72 NBR 902    | B1       | 19407       | ● |
| 26,00          | 37,00          | 7,00  | A        | smooth        | 0,05           | 72 NBR 902    | BAUSL    | 3402        | ● |
| 26,00          | 37,00          | 7,00  | AS       | grooved       | 0,05           | 75 FKM 585    | BAUMSLX7 | 407128      | ● |
| 26,00          | 37,00          | 7,00  | A        | smooth        | 0,05           | 72 NBR 902    | BAU      | 7525        | ● |
| 26,00          | 40,00          | 4,00  | A        | metal         | un-pressurised | 80 NBR 177458 | MSC 01   | 508523      | ● |
| 26,00          | 40,00          | 4,00  | A        | metal         | un-pressurised | 80 FKM 177459 | MSC 01   | 508572      | ● |
| 26,00          | 40,00          | 6,00  | AS       | smooth        | *              | 75 FKM 595    | BABSL    | 426478      | ● |
| 26,00          | 42,00          | 7,00  | AS       | smooth        | 0,02           | 72 NBR 902    | BAFUDSL  | 12011128    | ● |
| 26,00          | 42,00          | 7,00  | B        | metal         | 0,05           | 72 NBR 902    | B1U      | 2273        | ● |
| 26,00          | 42,00          | 7,00  | A        | grooved       | 0,02           | 72 NBR 902    | BAFUDX7  | 355636      | ● |
| 26,00          | 42,00          | 7,00  | A        | grooved       | 0,05           | 75 FKM 585    | BAUMX7   | 402895      | ● |
| 26,00          | 42,00          | 7,00  | AS       | smooth        | *              | 75 FKM 595    | BABSL    | 49021064    | ● |
| 26,00          | 42,00          | 10,00 | C        | metal         | 0,05           | 72 NBR 902    | B2U      | 22905       | ● |
| 26,00          | 42,00          | 10,00 | AS       | smooth        | 0,05           | 72 NBR 902    | BASL     | 308072      | ● |
| 26,00          | 42,00          | 10,00 | B        | metal         | 0,02           | 72 NBR 902    | B1FUD    | 407513      | ● |
| 26,00          | 42,00          | 10,00 | A        | smooth        | 0,05           | 72 NBR 902    | BA       | 7535        | ● |
| 26,00          | 42,90          | 9,50  | B        | metal         | 0,05           | 72 NBR 902    | B1       | 19728       | ○ |
| 26,00          | 45,00          | 10,00 | B        | metal         | 0,02           | 72 NBR 902    | B1FUD    | 341006      | ● |
| 26,00          | 47,00          | 7,00  | A        | grooved       | 0,05           | 75 FKM 585    | BAUMX7   | 388813      | ● |
| 26,00          | 47,00          | 7,00  | A        | smooth        | 0,05           | 72 NBR 902    | BAU      | 9567        | ● |
| 26,00          | 47,00          | 10,00 | C        | metal         | 0,05           | 72 NBR 902    | B2       | 22906       | ● |
| 26,00          | 47,00          | 10,00 | A        | smooth        | 0,05           | 72 NBR 902    | BAU      | 7540        | ● |
| 26,00          | 50,00          | 10,00 | A        | smooth        | 0,05           | 72 NBR 902    | BA       | 7546        | ● |
| 26,00          | 52,00          | 8,00  | A        | smooth        | 0,02           | 72 NBR 902    | BAFUD    | 12010869    | ● |
| 26,00          | 52,00          | 10,00 | A        | smooth        | 0,05           | 72 NBR 902    | BAU      | 7549        | ● |
| 26,00          | 52,00          | 12,00 | B        | metal         | 0,05           | 72 NBR 902    | B1U      | 426389      | ● |
| 27,00          | 37,00          | 7,00  | A        | smooth        | 0,05           | 72 NBR 902    | BAU      | 39052       | ● |
| 27,00          | 39,00          | 6,00  | AS       | smooth        | *              | 75 FKM 595    | BABSL    | 49012698    | ○ |
| 27,00          | 41,00          | 10,00 | C        | metal         | 0,05           | 72 NBR 902    | B2U      | 22700       | ● |

● Available from stock    ○ On request: Tool is available, delivery at short notice    \* → Diagram 2, page 18

| d <sub>1</sub> | d <sub>2</sub> | b     | DIN 3761 | Outer surface | Pressure       | Material      | Type     | Article No. |   |
|----------------|----------------|-------|----------|---------------|----------------|---------------|----------|-------------|---|
| 27,00          | 41,00          | 10,00 | A        | smooth        | 0,05           | 72 NBR 902    | BA       | 7558        | ● |
| 27,00          | 42,00          | 10,00 | A        | smooth        | 0,02           | 72 NBR 902    | BAFUD    | 12010871    | ● |
| 27,00          | 42,00          | 10,00 | C        | metal         | 0,05           | 72 NBR 902    | B2       | 22701       | ● |
| 27,00          | 47,00          | 6,00  | A        | smooth        | 0,05           | 72 NBR 902    | BA       | 12010872    | ● |
| 27,00          | 47,00          | 7,00  | A        | smooth        | 0,05           | 72 NBR 902    | BA       | 7564        | ● |
| 27,00          | 47,00          | 10,00 | B        | metal         | 0,05           | 72 NBR 902    | B1       | 19731       | ● |
| 27,00          | 47,00          | 10,00 | C        | metal         | 0,05           | 72 NBR 902    | B2       | 22911       | ● |
| 27,00          | 47,00          | 10,00 | A        | smooth        | 0,05           | 72 NBR 902    | BA       | 7567        | ● |
| 27,00          | 52,00          | 8,00  | A        | smooth        | 0,05           | 72 NBR 902    | BA       | 7573        | ● |
| 27,00          | 52,00          | 10,00 | A        | smooth        | 0,05           | 72 NBR 902    | BA       | 7576        | ● |
| 27,00          | 62,00          | 12,00 | C        | metal         | 0,05           | 72 NBR 902    | B2       | 22914       | ○ |
| 28,00          | 35,00          | 6,00  | B        | metal         | un-pressurised | 72 NBR 902    | B1OF     | 428755      | ● |
| 28,00          | 36,00          | 8,00  | A        | grooved       | 0,02           | 72 NBR 902    | BAFUDX7  | 520461      | ● |
| 28,00          | 38,00          | 7,00  | AS       | grooved       | 0,05           | 75 FKM 585    | BAUMSLX7 | 410113      | ● |
| 28,00          | 38,00          | 7,00  | A        | grooved       | 0,05           | 75 FKM 585    | BAUMX7   | 523862      | ● |
| 28,00          | 38,00          | 7,00  | A        | smooth        | 0,05           | 72 NBR 902    | BAU      | 7582        | ● |
| 28,00          | 38,00          | 7,00  | B        | metal         | 0,05           | 72 NBR 902    | B1U      | 7957        | ● |
| 28,00          | 40,00          | 6,00  | AS       | smooth        | *              | 72 NBR 902    | BABSL    | 338223      | ● |
| 28,00          | 40,00          | 6,00  | AS       | smooth        | *              | 75 FKM 595    | BABSL    | 339414      | ● |
| 28,00          | 40,00          | 7,00  | B        | metal         | 0,05           | 72 NBR 902    | B1       | 19410       | ● |
| 28,00          | 40,00          | 7,00  | A        | grooved       | 0,02           | 72 NBR 902    | BAFUDX7  | 355391      | ● |
| 28,00          | 40,00          | 7,00  | A        | grooved       | 0,05           | 75 FKM 585    | BAUMX7   | 400715      | ● |
| 28,00          | 40,00          | 7,00  | AS       | smooth        | 0,05           | 75 FKM 595    | BAUMSL   | 410719      | ○ |
| 28,00          | 40,00          | 7,00  | AS       | smooth        | *              | 72 NBR 902    | BABSL    | 523549      | ● |
| 28,00          | 40,00          | 7,00  | AS       | smooth        | 0,05           | 72 NBR 902    | BASL     | 7771        | ● |
| 28,00          | 40,00          | 7,50  | C        | metal         | 0,05           | 72 NBR 902    | B2       | 38409       | ● |
| 28,00          | 40,00          | 8,00  | AS       | smooth        | *              | 75 FKM 595    | BABSL    | 404676      | ● |
| 28,00          | 40,00          | 8,00  | AS       | smooth        | *              | 72 NBR 902    | BABSL    | 432619      | ● |
| 28,00          | 40,00          | 9,00  | AS       | smooth        | *              | 72 NBR 902    | BABSL    | 68078       | ● |
| 28,00          | 40,00          | 10,00 | B        | metal         | 0,05           | 72 NBR 902    | B1U      | 19412       | ● |
| 28,00          | 42,00          | 7,00  | B        | metal         | 0,05           | 72 NBR 902    | B1       | 251         | ● |
| 28,00          | 42,00          | 8,00  | B        | metal         | 0,05           | 72 NBR 902    | B1       | 19413       | ● |
| 28,00          | 42,00          | 8,00  | AS       | grooved       | 0,05           | 72 NBR 902    | BAUSLX27 | 451925      | ● |
| 28,00          | 42,00          | 8,00  | A        | smooth        | 0,05           | 72 NBR 902    | BA       | 7601        | ● |
| 28,00          | 42,00          | 10,00 | AS       | smooth        | 0,05           | 72 NBR 902    | BASL     | 7603        | ● |
| 28,00          | 42,50          | 8,00  | B        | metal         | 0,05           | 72 NBR 902    | B1       | 19732       | ● |
| 28,00          | 42,50          | 8,00  | A        | smooth        | 0,05           | 72 NBR 902    | BA       | 7605        | ● |
| 28,00          | 42,90          | 9,50  | B        | metal         | 0,05           | 72 NBR 902    | B1       | 19415       | ● |
| 28,00          | 42,90          | 9,50  | A        | smooth        | 0,05           | 72 NBR 902    | BA       | 7608        | ● |
| 28,00          | 43,00          | 4,00  | A        | metal         | un-pressurised | 80 NBR 177458 | MSC 01   | 508524      | ● |
| 28,00          | 43,00          | 4,00  | A        | metal         | un-pressurised | 80 FKM 177459 | MSC 01   | 508573      | ● |
| 28,00          | 43,00          | 10,00 | A        | smooth        | 0,05           | 72 NBR 902    | BA       | 7611        | ● |
| 28,00          | 45,00          | 7,50  | B        | metal         | 0,05           | 72 NBR 902    | B1U      | 19416       | ● |
| 28,00          | 45,00          | 7,50  | A        | grooved       | 0,02           | 72 NBR 902    | BAFUDX7  | 520462      | ● |
| 28,00          | 45,00          | 8,00  | AS       | grooved       | 0,05           | 75 FKM 585    | BAUMSLX7 | 474113      | ● |
| 28,00          | 47,00          | 5,00  | A        | smooth        | 0,05           | 72 NBR 902    | BA       | 7613        | ● |
| 28,00          | 47,00          | 7,00  | AS       | smooth        | 0,02           | 72 NBR 902    | BAFUDSL  | 12011130    | ● |
| 28,00          | 47,00          | 7,00  | B        | metal         | 0,05           | 72 NBR 902    | B1       | 2730        | ● |
| 28,00          | 47,00          | 7,00  | A        | grooved       | 0,05           | 75 FKM 585    | BAUMX7   | 390252      | ● |
| 28,00          | 47,00          | 7,00  | C        | metal         | up to 1 MPa    | PTFE F56101   | B2PT     | 406616      | ● |

● Available from stock    ○ On request: Tool is available, delivery at short notice    \* → Diagram 2, page 18

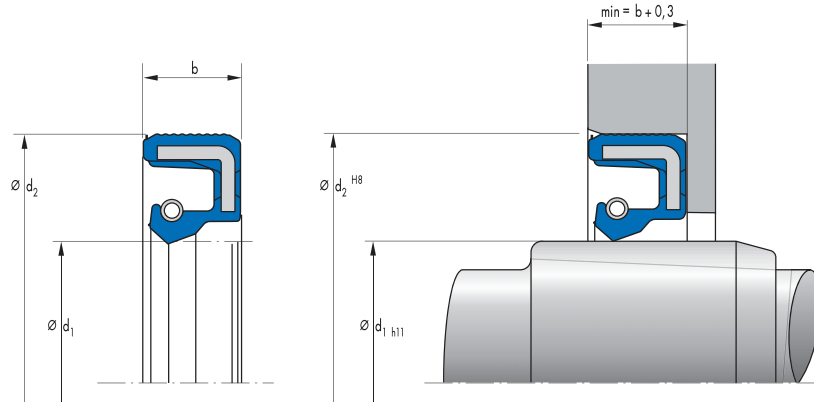


| d <sub>1</sub> | d <sub>2</sub> | b     | DIN 3761 | Outer surface | Pressure    | Material    | Type     | Article No. |   |
|----------------|----------------|-------|----------|---------------|-------------|-------------|----------|-------------|---|
| 28,00          | 47,00          | 7,00  | A        | smooth        | 0,05        | 72 NBR 902  | BAUX2    | 478466      | ● |
| 28,00          | 47,00          | 7,00  | AS       | smooth        | 0,05        | 72 NBR 902  | BAUSLX2  | 49037522    | ● |
| 28,00          | 47,00          | 7,00  | AS       | grooved       | 0,05        | 75 FKM 585  | BAUMSLX7 | 521005      | ● |
| 28,00          | 47,00          | 9,00  | C        | metal         | 0,05        | 72 NBR 902  | B2       | 2479        | ● |
| 28,00          | 47,00          | 9,00  | AS       | smooth        | 0,05        | 72 NBR 902  | BASL     | 7618        | ● |
| 28,00          | 47,00          | 10,00 | B        | metal         | 0,05        | 72 NBR 902  | B1       | 19733       | ● |
| 28,00          | 47,00          | 10,00 | BS       | metal         | 0,05        | 72 NBR 902  | B1SL     | 20126       | ● |
| 28,00          | 47,00          | 10,00 | C        | metal         | 0,05        | 72 NBR 902  | B2       | 22915       | ● |
| 28,00          | 47,00          | 10,00 | A        | smooth        | 0,05        | 72 NBR 902  | BAU      | 7623        | ● |
| 28,00          | 50,00          | 10,00 | C        | metal         | 0,05        | 72 NBR 902  | B2U      | 22704       | ● |
| 28,00          | 50,00          | 10,00 | A        | smooth        | 0,05        | 72 NBR 902  | BAU      | 7631        | ● |
| 28,00          | 50,00          | 12,00 | C        | metal         | 0,05        | 72 NBR 902  | B2U      | 22916       | ● |
| 28,00          | 52,00          | 7,00  | A        | smooth        | 0,05        | 72 NBR 902  | BAU      | 13990       | ● |
| 28,00          | 52,00          | 7,00  | B        | metal         | 0,05        | 72 NBR 902  | B1U      | 13994       | ● |
| 28,00          | 52,00          | 7,00  | A        | grooved       | 0,05        | 75 FKM 585  | BAUMX7   | 400263      | ● |
| 28,00          | 52,00          | 7,00  | AS       | grooved       | 0,05        | 72 NBR 902  | BAUSLX27 | 451926      | ● |
| 28,00          | 52,00          | 7,00  | AS       | smooth        | 0,05        | 75 FKM 585  | BAUMSL   | 49011964    | ● |
| 28,00          | 52,00          | 9,00  | C        | metal         | 0,05        | 72 NBR 902  | B2       | 19623       | ● |
| 28,00          | 52,00          | 10,00 | C        | metal         | 0,05        | 72 NBR 902  | B2U      | 22705       | ● |
| 28,00          | 52,00          | 10,00 | AS       | smooth        | 0,05        | 72 NBR 902  | BAUSLX2  | 49037521    | ● |
| 28,00          | 52,00          | 10,00 | AS       | smooth        | 0,02        | 72 NBR 902  | BAFUDSL  | 532618      | ● |
| 28,00          | 52,00          | 10,00 | A        | smooth        | 0,05        | 72 NBR 902  | BAU      | 7639        | ● |
| 28,00          | 52,00          | 12,00 | C        | metal         | 0,05        | 72 NBR 902  | B2       | 22917       | ● |
| 28,00          | 55,00          | 9,00  | A        | smooth        | 0,05        | 72 NBR 902  | BA       | 7645        | ● |
| 28,00          | 62,00          | 12,00 | C        | metal         | 0,05        | 72 NBR 902  | B2       | 22919       | ● |
| 28,00          | 72,00          | 10,00 | A        | grooved       | 0,05        | 72 NBR 902  | BAUX27   | 451927      | ● |
| 29,00          | 42,90          | 9,50  | A        | smooth        | 0,05        | 72 NBR 902  | BA       | 7650        | ● |
| 29,00          | 43,00          | 7,00  | A        | smooth        | 0,05        | 72 NBR 902  | BAU      | 7652        | ● |
| 29,00          | 47,00          | 10,00 | C        | metal         | 0,05        | 72 NBR 902  | B2       | 22923       | ● |
| 29,00          | 50,00          | 10,00 | C        | metal         | 0,05        | 72 NBR 902  | B2       | 22707       | ● |
| 29,00          | 52,00          | 10,00 | C        | metal         | 0,05        | 72 NBR 902  | B2       | 22924       | ● |
| 30,00          | 40,00          | 7,00  | A        | grooved       | 0,05        | 75 FKM 585  | BAUMX7   | 400273      | ● |
| 30,00          | 40,00          | 7,00  | C        | metal         | up to 1 MPa | PTFE F56101 | B2PT     | 406617      | ● |
| 30,00          | 40,00          | 7,00  | AS       | grooved       | 0,05        | 75 FKM 585  | BAUMSLX7 | 479046      | ● |
| 30,00          | 40,00          | 7,00  | A        | smooth        | 0,05        | 72 NBR 902  | BAUX2    | 520216      | ● |
| 30,00          | 40,00          | 7,00  | AS       | smooth        | 0,05        | 72 NBR 902  | BAUSLX2  | 529402      | ● |

● Available from stock ○ On request: Tool is available, delivery at short notice \* → Diagram 2, page 18

| d <sub>1</sub> | d <sub>2</sub> | b     | DIN 3761 | Outer surface | Pressure       | Material      | Type      | Article No. |   |
|----------------|----------------|-------|----------|---------------|----------------|---------------|-----------|-------------|---|
| 30,00          | 40,00          | 7,00  | B        | metal         | 0,02           | 72 NBR 902    | B1FUD     | 532630      | ● |
| 30,00          | 40,00          | 8,00  | AS       | grooved       | 0,02           | 72 NBR 902    | BAFUDSLX7 | 334820      | ● |
| 30,00          | 42,00          | 5,70  | A        | smooth        | 0,05           | 72 NBR 902    | BAUX2     | 478056      | ● |
| 30,00          | 42,00          | 5,70  | AS       | smooth        | 0,05           | 72 NBR 902    | BAUSLX2   | 478769      | ● |
| 30,00          | 42,00          | 6,00  | B        | metal         | 0,05           | 72 NBR 902    | B1        | 20417       | ● |
| 30,00          | 42,00          | 6,00  | AS       | smooth        | *              | 72 NBR 902    | BABSL     | 3003        | ● |
| 30,00          | 42,00          | 6,00  | AS       | smooth        | *              | 75 FKM 595    | BABSL     | 418629      | ● |
| 30,00          | 42,00          | 7,00  | AS       | smooth        | *              | 72 NBR 902    | BABSL     | 12001682    | ● |
| 30,00          | 42,00          | 7,00  | B        | metal         | 0,02           | 72 NBR 902    | B1FUD     | 334268      | ● |
| 30,00          | 42,00          | 7,00  | BS       | metal         | 0,02           | 72 NBR 902    | B1FUDSL   | 335097      | ● |
| 30,00          | 42,00          | 7,00  | A        | grooved       | 0,02           | 72 NBR 902    | BAFUDX7   | 355384      | ● |
| 30,00          | 42,00          | 7,00  | A        | grooved       | 0,05           | 75 FKM 585    | BAUMX7    | 400271      | ● |
| 30,00          | 42,00          | 7,00  | AS       | grooved       | 0,05           | 75 FKM 585    | BAUMSLX7  | 479045      | ● |
| 30,00          | 42,00          | 7,00  | A        | smooth        | 0,05           | 72 NBR 902    | BAUX2     | 49001666    | ● |
| 30,00          | 42,00          | 7,00  | A        | smooth        | 0,05           | 72 NBR 902    | BAUX2     | 524506      | ● |
| 30,00          | 42,00          | 7,00  | AS       | smooth        | 0,05           | 72 NBR 902    | BAUSLX2   | 529400      | ● |
| 30,00          | 42,00          | 8,00  | AS       | smooth        | 0,05           | 72 NBR 902    | BAUSLX2   | 49004319    | ● |
| 30,00          | 44,00          | 10,00 | B        | metal         | 0,05           | 72 NBR 902    | B1U       | 19424       | ● |
| 30,00          | 45,00          | 7,00  | C        | metal         | up to 1 MPa    | PTFE F56101   | B2PT      | 406619      | ● |
| 30,00          | 45,00          | 7,00  | AS       | grooved       | 0,05           | 75 FKM 585    | BAUMSLX7  | 410115      | ● |
| 30,00          | 45,00          | 7,00  | A        | smooth        | 0,05           | 72 NBR 902    | BAU       | 7685        | ● |
| 30,00          | 45,00          | 8,00  | AS       | smooth        | 0,02           | 72 NBR 902    | BAFUDSL   | 12012582    | ● |
| 30,00          | 45,00          | 8,00  | A        | smooth        | 0,05           | 72 NBR 902    | BAU       | 7686        | ● |
| 30,00          | 45,00          | 8,50  | A        | smooth        | 0,05           | 72 NBR 902    | BADUO     | 3475        | ○ |
| 30,00          | 45,00          | 9,50  | A        | smooth        | 0,05           | 72 NBR 902    | BAU       | 7695        | ● |
| 30,00          | 45,00          | 10,00 | A        | smooth        | 0,05           | 72 NBR 902    | BAU       | 7700        | ● |
| 30,00          | 45,00          | 13,00 | A        | smooth        | 0,05           | 72 NBR 902    | BAUSL     | 30497       | ● |
| 30,00          | 47,00          | 4,50  | A        | metal         | un-pressurised | 80 NBR 177458 | MSC 01    | 508525      | ● |
| 30,00          | 47,00          | 4,50  | A        | metal         | un-pressurised | 80 FKM 177459 | MSC 01    | 508574      | ● |
| 30,00          | 47,00          | 6,00  | A        | smooth        | 0,05           | 72 NBR 902    | BAUX2     | 528822      | ● |
| 30,00          | 47,00          | 7,00  | AS       | smooth        | 0,02           | 72 NBR 902    | BAFUDSL   | 12000480    | ○ |
| 30,00          | 47,00          | 7,00  | A        | smooth        | 0,05           | 72 NBR 902    | BAU       | 328283      | ○ |
| 30,00          | 47,00          | 7,00  | A        | grooved       | 0,05           | 75 FKM 585    | BAUMX7    | 386014      | ● |
| 30,00          | 47,00          | 7,00  | B        | metal         | 0,05           | 72 NBR 902    | B1U       | 39845       | ● |
| 30,00          | 47,00          | 7,00  | AS       | grooved       | 0,05           | 75 FKM 585    | BAUMSLX7  | 404326      | ● |
| 30,00          | 47,00          | 7,00  | C        | metal         | up to 1 MPa    | PTFE F56101   | B2PT      | 406620      | ● |
| 30,00          | 47,00          | 7,00  | A        | smooth        | 0,05           | 75 FKM 595    | BAUM      | 434416      | ○ |
| 30,00          | 47,00          | 7,00  | B        | metal         | 0,05           | 72 NBR 902    | B1U       | 458251      | ○ |
| 30,00          | 47,00          | 7,00  | A        | smooth        | 0,05           | 72 NBR 902    | BAUX2     | 478441      | ● |
| 30,00          | 47,00          | 7,00  | AS       | smooth        | 0,05           | 72 NBR 902    | BAUSLX2   | 49001669    | ● |
| 30,00          | 47,00          | 7,00  | A        | smooth        | 0,05           | 72 NBR 902    | BAUX2     | 531158      | ○ |
| 30,00          | 47,00          | 8,00  | B        | metal         | 0,05           | 72 NBR 902    | B1USL     | 150732      | ● |
| 30,00          | 47,00          | 8,00  | C        | metal         | 0,05           | 72 NBR 902    | B2        | 23631       | ● |
| 30,00          | 47,00          | 8,00  | AS       | grooved       | 0,02           | 72 NBR 902    | BAFUDSLX7 | 532619      | ● |
| 30,00          | 47,00          | 8,00  | A        | smooth        | 0,05           | 72 NBR 902    | BAU       | 7708        | ● |
| 30,00          | 47,00          | 8,00  | B        | metal         | 0,05           | 72 NBR 902    | B1        | 7979        | ● |
| 30,00          | 47,00          | 10,00 | B        | metal         | 0,05           | 72 NBR 902    | B1U       | 19737       | ● |
| 30,00          | 47,00          | 10,00 | B        | metal         | 0,05           | 72 NBR 902    | B1USL     | 20127       | ● |
| 30,00          | 47,00          | 10,00 | C        | metal         | 0,05           | 72 NBR 902    | B2U       | 22708       | ● |
| 30,00          | 47,00          | 10,00 | A        | grooved       | 0,02           | 72 NBR 902    | BAFUDX7   | 355392      | ● |

● Available from stock    ○ On request: Tool is available, delivery at short notice    \* → Diagram 2, page 18

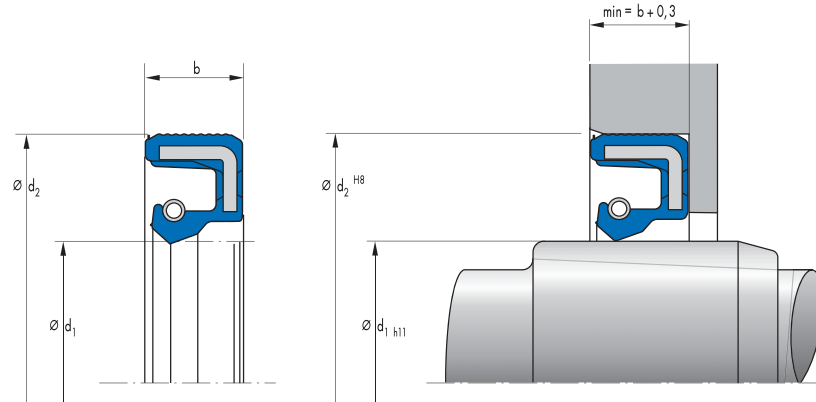


| d <sub>1</sub> | d <sub>2</sub> | b     | DIN 3761 | Outer surface | Pressure       | Material      | Type      | Article No. |   |
|----------------|----------------|-------|----------|---------------|----------------|---------------|-----------|-------------|---|
| 30,00          | 47,00          | 10,00 | A        | smooth        | 0,05           | 72 NBR 902    | BAU       | 7716        | ○ |
| 30,00          | 48,00          | 6,50  | A        | metal         | un-pressurised | 80 FKM 177459 | MSC 02    | 508608      | ● |
| 30,00          | 48,00          | 6,50  | A        | metal         | un-pressurised | 80 NBR 177458 | MSC 02    | 508632      | ● |
| 30,00          | 48,00          | 7,00  | A        | grooved       | 0,05           | 75 FKM 585    | BAUMX7    | 478615      | ● |
| 30,00          | 48,00          | 8,00  | A        | grooved       | 0,02           | 72 NBR 902    | BAFUDX7   | 335179      | ● |
| 30,00          | 48,00          | 8,00  | AS       | grooved       | 0,05           | 75 FKM 585    | BAUMSLX7  | 476383      | ● |
| 30,00          | 48,00          | 10,00 | B        | metal         | 0,05           | 72 NBR 902    | B1        | 19738       | ● |
| 30,00          | 48,00          | 10,00 | C        | metal         | 0,05           | 72 NBR 902    | B2        | 22926       | ● |
| 30,00          | 48,00          | 10,00 | A        | smooth        | 0,05           | 72 NBR 902    | BA        | 7729        | ● |
| 30,00          | 50,00          | 7,00  | B        | metal         | 0,02           | 72 NBR 902    | B1FUD     | 334266      | ● |
| 30,00          | 50,00          | 7,00  | A        | grooved       | 0,05           | 75 FKM 585    | BAUMX7    | 400726      | ● |
| 30,00          | 50,00          | 7,00  | C        | metal         | up to 1 MPa    | PTFE F56101   | B2PT      | 406621      | ● |
| 30,00          | 50,00          | 7,00  | AS       | smooth        | *              | 72 NBR 902    | BABSL     | 49019367    | ● |
| 30,00          | 50,00          | 7,00  | A        | smooth        | 0,02           | 72 NBR 902    | BAFUD     | 532620      | ● |
| 30,00          | 50,00          | 8,00  | A        | smooth        | 0,02           | 72 NBR 902    | BAFUD     | 12010884    | ● |
| 30,00          | 50,00          | 9,00  | C        | metal         | 0,02           | 72 NBR 902    | B2FUD     | 334656      | ● |
| 30,00          | 50,00          | 10,00 | C        | metal         | 0,02           | 72 NBR 902    | B2FUD     | 334361      | ● |
| 30,00          | 50,00          | 10,00 | B        | metal         | 0,02           | 72 NBR 902    | B1FUD     | 334655      | ● |
| 30,00          | 50,00          | 10,00 | AS       | grooved       | 0,02           | 72 NBR 902    | BAFUDSLX7 | 335184      | ● |
| 30,00          | 50,00          | 10,00 | A        | smooth        | 0,05           | 72 NBR 902    | BA        | 7741        | ● |
| 30,00          | 50,00          | 10,00 | A        | smooth        | 0,05           | 72 NBR 902    | BAU       | 7742        | ● |
| 30,00          | 50,00          | 12,00 | B        | metal         | 0,05           | 72 NBR 902    | B1USL     | 20129       | ● |
| 30,00          | 50,00          | 12,00 | B        | metal         | 0,02           | 72 NBR 902    | B1FUD     | 334269      | ● |
| 30,00          | 50,00          | 12,00 | C        | metal         | 0,02           | 72 NBR 902    | B2FUD     | 334657      | ● |
| 30,00          | 52,00          | 6,00  | AS       | smooth        | 0,05           | 72 NBR 902    | BAUSLX2   | 522129      | ● |
| 30,00          | 52,00          | 6,00  | AS       | smooth        | 0,05           | 75 FKM 585    | BAUMSL    | 522920      | ● |
| 30,00          | 52,00          | 6,00  | -        | smooth        | 0,05           | 75 FKM 585    | MSS 1     | 49011594    | ● |
| 30,00          | 52,00          | 6,00  | -        | smooth        | 0,05           | 72 NBR 902    | MSS 1     | 528998      | ● |
| 30,00          | 52,00          | 7,00  | B        | metal         | 0,02           | 72 NBR 902    | B1FUD     | 334374      | ● |
| 30,00          | 52,00          | 7,00  | AS       | smooth        | *              | 72 NBR 902    | BABSL     | 396855      | ● |
| 30,00          | 52,00          | 7,00  | A        | grooved       | 0,05           | 75 FKM 585    | BAUMX7    | 400453      | ● |
| 30,00          | 52,00          | 7,00  | AS       | grooved       | 0,05           | 75 FKM 585    | BAUMSLX7  | 410116      | ● |
| 30,00          | 52,00          | 7,00  | AS       | smooth        | 0,05           | 72 NBR 902    | BAUSLX2   | 524704      | ● |
| 30,00          | 52,00          | 7,00  | A        | smooth        | 0,05           | 72 NBR 902    | BAUX2     | 529401      | ● |
| 30,00          | 52,00          | 8,00  | A        | smooth        | 0,05           | 72 NBR 902    | BAU       | 31709       | ● |
| 30,00          | 52,00          | 9,00  | C        | metal         | 0,02           | 72 NBR 902    | B2FUD     | 334691      | ● |

● Available from stock    ○ On request: Tool is available, delivery at short notice    \* → Diagram 2, page 18

| d <sub>1</sub> | d <sub>2</sub> | b     | DIN 3761 | Outer surface | Pressure | Material   | Type     | Article No. |   |
|----------------|----------------|-------|----------|---------------|----------|------------|----------|-------------|---|
| 30,00          | 52,00          | 9,00  | CS       | metal         | 0,05     | 72 NBR 902 | B2SL     | 34894       | ● |
| 30,00          | 52,00          | 10,00 | A        | grooved       | 0,02     | 72 NBR 902 | BAFUDX7  | 334293      | ● |
| 30,00          | 52,00          | 10,00 | B        | metal         | 0,02     | 72 NBR 902 | B1FUD    | 334686      | ● |
| 30,00          | 52,00          | 10,00 | C        | metal         | 0,02     | 72 NBR 902 | B2FUD    | 334690      | ● |
| 30,00          | 52,00          | 10,00 | BS       | metal         | 0,02     | 72 NBR 902 | B1FUDSL  | 355630      | ● |
| 30,00          | 52,00          | 10,00 | AS       | smooth        | 0,05     | 72 NBR 902 | BAUSLX2  | 526319      | ● |
| 30,00          | 52,00          | 12,00 | B        | metal         | 0,05     | 72 NBR 902 | B1USL    | 20130       | ● |
| 30,00          | 52,00          | 12,00 | C        | metal         | 0,02     | 72 NBR 902 | B2FUD    | 334334      | ● |
| 30,00          | 52,00          | 12,00 | B        | metal         | 0,02     | 72 NBR 902 | B1FUD    | 334685      | ● |
| 30,00          | 52,00          | 12,00 | A        | smooth        | 0,05     | 72 NBR 902 | BA       | 7758        | ● |
| 30,00          | 55,00          | 7,00  | AS       | grooved       | 0,05     | 75 FKM 585 | BAUMSLX7 | 477661      | ● |
| 30,00          | 55,00          | 7,00  | AS       | smooth        | 0,05     | 72 NBR 902 | BAUSLX2  | 478774      | ● |
| 30,00          | 55,00          | 7,00  | A        | smooth        | 0,05     | 72 NBR 902 | BAUX2    | 529837      | ● |
| 30,00          | 55,00          | 10,00 | A        | grooved       | 0,02     | 72 NBR 902 | BAFUDX7  | 334232      | ● |
| 30,00          | 55,00          | 10,00 | A        | smooth        | 0,05     | 72 NBR 902 | BAUX2    | 531106      | ● |
| 30,00          | 55,00          | 10,00 | A        | smooth        | 0,05     | 72 NBR 902 | BAUSL    | 7767        | ● |
| 30,00          | 55,00          | 12,00 | B        | metal         | 0,05     | 72 NBR 902 | B1       | 19745       | ● |
| 30,00          | 56,00          | 10,00 | C        | metal         | 0,05     | 72 NBR 902 | B2U      | 22932       | ● |
| 30,00          | 56,00          | 10,00 | A        | smooth        | 0,05     | 72 NBR 902 | BAU      | 7772        | ● |
| 30,00          | 56,00          | 12,00 | C        | metal         | 0,05     | 72 NBR 902 | B2       | 22933       | ● |
| 30,00          | 60,00          | 10,00 | A        | smooth        | 0,05     | 72 NBR 902 | BA       | 7775        | ● |
| 30,00          | 62,00          | 6,00  | B        | metal         | 0,05     | 72 NBR 902 | B1U      | 19429       | ● |
| 30,00          | 62,00          | 7,00  | BS       | metal         | 0,02     | 72 NBR 902 | B1FUDSL  | 355466      | ● |
| 30,00          | 62,00          | 7,00  | A        | grooved       | 0,05     | 75 FKM 585 | BAUMX7   | 400456      | ● |
| 30,00          | 62,00          | 7,00  | AS       | grooved       | 0,05     | 72 NBR 902 | BAUSLX7  | 478773      | ● |
| 30,00          | 62,00          | 7,00  | A        | smooth        | 0,05     | 72 NBR 902 | BAUX2    | 524703      | ● |
| 30,00          | 62,00          | 7,00  | AS       | grooved       | 0,05     | 75 FKM 585 | BAUMSLX7 | 531232      | ● |
| 30,00          | 62,00          | 9,00  | C        | metal         | 0,02     | 72 NBR 902 | B2FUD    | 334914      | ● |
| 30,00          | 62,00          | 10,00 | A        | grooved       | 0,02     | 72 NBR 902 | BAFUDX7  | 334294      | ● |
| 30,00          | 62,00          | 10,00 | C        | metal         | 0,02     | 72 NBR 902 | B2FUD    | 334915      | ● |
| 30,00          | 62,00          | 12,00 | C        | metal         | 0,02     | 72 NBR 902 | B2FUD    | 334916      | ● |
| 30,00          | 62,00          | 12,00 | B        | metal         | 0,02     | 72 NBR 902 | B1FUD    | 334948      | ● |
| 30,00          | 62,00          | 12,00 | A        | smooth        | 0,05     | 72 NBR 902 | BAU      | 7783        | ● |
| 30,00          | 62,00          | 14,00 | A        | smooth        | 0,05     | 72 NBR 902 | BADUO    | 7786        | ○ |
| 30,00          | 72,00          | 8,00  | B        | metal         | 0,05     | 72 NBR 902 | B1U      | 340620      | ● |
| 30,00          | 72,00          | 10,00 | C        | metal         | 0,02     | 72 NBR 902 | B2FUD    | 334356      | ● |
| 30,00          | 72,00          | 10,00 | A        | grooved       | 0,05     | 75 FKM 585 | BAUMX7   | 432764      | ● |
| 30,00          | 72,00          | 10,00 | A        | smooth        | 0,05     | 72 NBR 902 | BAUX2    | 49009357    | ● |
| 30,00          | 72,00          | 10,00 | A        | smooth        | 0,02     | 72 NBR 902 | BAFUD    | 523408      | ● |
| 30,00          | 72,00          | 10,00 | AS       | smooth        | 0,05     | 72 NBR 902 | BAUSLX2  | 524141      | ● |
| 30,00          | 72,00          | 10,00 | A        | smooth        | 0,05     | 72 NBR 902 | BA       | 7788        | ○ |
| 31,00          | 42,00          | 8,00  | A        | grooved       | 0,02     | 72 NBR 902 | BAFUDX7  | 520468      | ● |
| 31,00          | 47,00          | 10,00 | C        | metal         | 0,05     | 72 NBR 902 | B2       | 22711       | ○ |
| 31,00          | 52,00          | 7,00  | A        | smooth        | 0,02     | 72 NBR 902 | BAFUD    | 523556      | ● |
| 31,00          | 52,00          | 9,50  | A        | smooth        | 0,05     | 72 NBR 902 | BAUX2    | 475754      | ○ |
| 31,75          | 44,45          | 6,35  | AS       | smooth        | *        | 72 NBR 902 | BABSL    | 81721       | ● |
| 32,00          | 42,00          | 7,00  | A        | smooth        | 0,02     | 72 NBR 902 | BAFUD    | 12010894    | ● |
| 32,00          | 42,00          | 7,00  | B        | metal         | 0,05     | 72 NBR 902 | B1       | 19436       | ● |
| 32,00          | 42,00          | 7,00  | A        | grooved       | 0,05     | 75 FKM 585 | BAUMX7   | 402911      | ● |
| 32,00          | 42,00          | 7,00  | AS       | grooved       | 0,05     | 75 FKM 585 | BAUMSLX7 | 450967      | ● |

● Available from stock    ○ On request: Tool is available, delivery at short notice    \* → Diagram 2, page 18

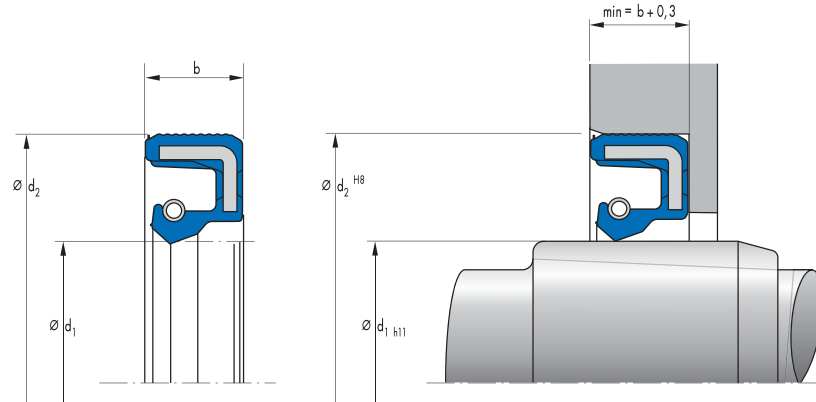


| d <sub>1</sub> | d <sub>2</sub> | b     | DIN 3761 | Outer surface | Pressure       | Material      | Type     | Article No. |   |
|----------------|----------------|-------|----------|---------------|----------------|---------------|----------|-------------|---|
| 32,00          | 44,00          | 8,00  | AS       | smooth        | *              | 72 NBR 902    | BABSL    | 69442       | ● |
| 32,00          | 45,00          | 6,00  | A        | smooth        | 0,05           | 72 NBR 902    | BA       | 7798        | ● |
| 32,00          | 45,00          | 7,00  | A        | grooved       | 0,02           | 72 NBR 902    | BAFUDX7  | 334305      | ● |
| 32,00          | 45,00          | 7,00  | B        | metal         | 0,02           | 72 NBR 902    | B1FUD    | 346127      | ● |
| 32,00          | 45,00          | 7,00  | A        | smooth        | 0,05           | 72 NBR 902    | BAUX2    | 49032838    | ● |
| 32,00          | 45,00          | 7,00  | A        | smooth        | 0,05           | 75 FKM 595    | BAUM     | 520083      | ○ |
| 32,00          | 45,00          | 7,00  | AS       | smooth        | 0,02           | 72 NBR 902    | BAFUDSL  | 523419      | ● |
| 32,00          | 47,00          | 6,00  | AS       | smooth        | *              | 75 FKM 595    | BABSL    | 418674      | ● |
| 32,00          | 47,00          | 6,00  | AS       | smooth        | *              | 75 FKM 595    | BABSL    | 49033017    | ● |
| 32,00          | 47,00          | 6,00  | AS       | smooth        | *              | 72 NBR 902    | BABSL    | 910         | ● |
| 32,00          | 47,00          | 7,00  | A        | grooved       | 0,05           | 75 FKM 585    | BAUMX7   | 400458      | ● |
| 32,00          | 47,00          | 7,00  | AS       | grooved       | 0,05           | 75 FKM 585    | BAUMSLX7 | 407132      | ● |
| 32,00          | 47,00          | 7,00  | B        | metal         | 0,02           | 72 NBR 902    | B1FUD    | 423370      | ● |
| 32,00          | 47,00          | 7,00  | A        | smooth        | 0,05           | 72 NBR 902    | BAUX2    | 49017474    | ● |
| 32,00          | 47,00          | 8,00  | C        | metal         | up to 1 MPa    | PTFE F56101   | B2PT     | 406650      | ● |
| 32,00          | 47,00          | 8,50  | B        | metal         | 0,05           | 72 NBR 902    | B1U      | 19440       | ● |
| 32,00          | 47,00          | 9,00  | C        | metal         | 0,05           | 72 NBR 902    | B2U      | 2484        | ● |
| 32,00          | 47,00          | 10,00 | B        | metal         | 0,05           | 72 NBR 902    | B1       | 19750       | ● |
| 32,00          | 47,00          | 10,00 | C        | metal         | 0,05           | 72 NBR 902    | B2U      | 22714       | ● |
| 32,00          | 47,00          | 10,00 | BS       | metal         | 0,02           | 72 NBR 902    | B1FUDSL  | 355465      | ● |
| 32,00          | 47,00          | 10,00 | A        | smooth        | 0,05           | 72 NBR 902    | BAU      | 7811        | ● |
| 32,00          | 48,00          | 8,00  | A        | smooth        | 0,05           | 72 NBR 902    | BA       | 343302      | ○ |
| 32,00          | 48,00          | 8,00  | A        | smooth        | 0,05           | 72 NBR 902    | BA       | 7815        | ● |
| 32,00          | 49,00          | 4,50  | A        | metal         | un-pressurised | 80 NBR 177458 | MSC 01   | 508527      | ● |
| 32,00          | 49,00          | 4,50  | A        | metal         | un-pressurised | 80 FKM 177459 | MSC 01   | 508575      | ● |
| 32,00          | 50,00          | 7,00  | B        | metal         | 0,05           | 72 NBR 902    | B1       | 19443       | ● |
| 32,00          | 50,00          | 7,00  | A        | grooved       | 0,05           | 75 FKM 585    | BAUMX7   | 410778      | ● |
| 32,00          | 50,00          | 8,00  | A        | smooth        | 0,05           | 72 NBR 902    | BAU      | 32679       | ● |
| 32,00          | 50,00          | 10,00 | C        | metal         | 0,05           | 72 NBR 902    | B2U      | 22715       | ● |
| 32,00          | 50,00          | 10,00 | AS       | grooved       | 0,05           | 75 FKM 585    | BAUMSLX7 | 523389      | ● |
| 32,00          | 50,00          | 10,00 | A        | smooth        | 0,05           | 72 NBR 902    | BA       | 7821        | ● |
| 32,00          | 50,00          | 10,00 | A        | smooth        | 0,05           | 72 NBR 902    | BAUSL    | 7822        | ● |
| 32,00          | 50,00          | 12,00 | C        | metal         | 0,05           | 72 NBR 902    | B2U      | 22942       | ● |
| 32,00          | 52,00          | 5,00  | A        | smooth        | 0,02           | 72 NBR 902    | BAFUD    | 12010897    | ● |
| 32,00          | 52,00          | 6,00  | AS       | smooth        | *              | 72 NBR 902    | BABSL    | 345348      | ● |
| 32,00          | 52,00          | 6,50  | BS       | metal         | 0,05           | 72 NBR 902    | B1SL     | 20085       | ○ |

● Available from stock    ○ On request: Tool is available, delivery at short notice    \* → Diagram 2, page 18

| d <sub>1</sub> | d <sub>2</sub> | b     | DIN 3761 | Outer surface | Pressure | Material   | Type      | Article No. |   |
|----------------|----------------|-------|----------|---------------|----------|------------|-----------|-------------|---|
| 32,00          | 52,00          | 7,00  | B        | metal         | 0,02     | 72 NBR 902 | B1FUD     | 355631      | ● |
| 32,00          | 52,00          | 7,00  | A        | grooved       | 0,05     | 75 FKM 585 | BAUMX7    | 400754      | ● |
| 32,00          | 52,00          | 7,00  | A        | smooth        | 0,05     | 72 NBR 902 | BAUSL     | 414644      | ● |
| 32,00          | 52,00          | 7,00  | AS       | smooth        | 0,05     | 72 NBR 902 | BAUSLX2   | 49035052    | ● |
| 32,00          | 52,00          | 7,00  | AS       | grooved       | 0,05     | 75 FKM 585 | BAUMSLX7  | 521226      | ● |
| 32,00          | 52,00          | 7,00  | A        | smooth        | 0,05     | 72 NBR 902 | BAUX2     | 524454      | ● |
| 32,00          | 52,00          | 9,00  | C        | metal         | 0,02     | 72 NBR 902 | B2FUD     | 334673      | ● |
| 32,00          | 52,00          | 10,00 | AS       | smooth        | 0,02     | 72 NBR 902 | BAFUDSL   | 12015221    | ● |
| 32,00          | 52,00          | 10,00 | B        | metal         | 0,02     | 72 NBR 902 | B1FUD     | 334270      | ● |
| 32,00          | 52,00          | 10,00 | C        | metal         | 0,02     | 72 NBR 902 | B2FUD     | 334335      | ● |
| 32,00          | 52,00          | 10,00 | A        | smooth        | 0,05     | 72 NBR 902 | BA        | 7833        | ● |
| 32,00          | 52,00          | 12,00 | BS       | metal         | 0,05     | 72 NBR 902 | B1SL      | 20132       | ● |
| 32,00          | 52,00          | 12,00 | C        | metal         | 0,02     | 72 NBR 902 | B2FUD     | 334345      | ● |
| 32,00          | 55,00          | 10,00 | A        | smooth        | 0,05     | 72 NBR 902 | BA        | 7838        | ● |
| 32,00          | 55,00          | 12,00 | C        | metal         | 0,05     | 72 NBR 902 | B2        | 22945       | ● |
| 32,00          | 56,00          | 10,00 | A        | smooth        | 0,02     | 72 NBR 902 | BAFUD     | 12000162    | ● |
| 32,00          | 56,00          | 10,00 | A        | smooth        | 0,05     | 72 NBR 902 | BAUSL     | 7842        | ● |
| 32,00          | 56,00          | 12,00 | C        | metal         | 0,05     | 72 NBR 902 | B2        | 22947       | ○ |
| 32,00          | 62,00          | 7,00  | A        | smooth        | 0,05     | 72 NBR 902 | BA        | 371152      | ● |
| 32,00          | 62,00          | 10,00 | C        | metal         | 0,05     | 72 NBR 902 | B2        | 22949       | ● |
| 32,00          | 62,00          | 10,00 | AS       | grooved       | 0,05     | 72 NBR 902 | BAUSLX27  | 451928      | ● |
| 32,00          | 62,00          | 10,00 | AS       | smooth        | 0,05     | 75 FKM 585 | BAUMSL    | 49011963    | ● |
| 32,00          | 62,00          | 10,00 | A        | smooth        | 0,05     | 72 NBR 902 | BA        | 7850        | ● |
| 32,00          | 65,00          | 12,00 | C        | metal         | 0,05     | 72 NBR 902 | B2        | 22951       | ● |
| 32,00          | 72,00          | 12,00 | C        | metal         | 0,05     | 72 NBR 902 | B2        | 22952       | ● |
| 32,00          | 80,00          | 12,00 | AS       | smooth        | 0,05     | 72 NBR 902 | BAUSLX2   | 520528      | ● |
| 33,00          | 45,00          | 7,00  | AS       | grooved       | 0,02     | 72 NBR 902 | BAFUDSLX7 | 397855      | ○ |
| 33,00          | 45,00          | 7,00  | A        | smooth        | 0,05     | 72 NBR 902 | BAU       | 7856        | ● |
| 33,00          | 50,00          | 6,00  | AS       | smooth        | 0,02     | 72 NBR 902 | BAFUDSL   | 12011140    | ● |
| 33,00          | 50,00          | 8,00  | A        | smooth        | 0,05     | 72 NBR 902 | BA        | 7862        | ● |
| 33,00          | 50,00          | 10,00 | AS       | smooth        | 0,02     | 72 NBR 902 | BAFUDSL   | 12011141    | ○ |
| 33,00          | 50,00          | 10,00 | C        | metal         | 0,05     | 72 NBR 902 | B2U       | 22953       | ● |
| 33,00          | 52,00          | 6,00  | A        | smooth        | 0,02     | 72 NBR 902 | BAFUD     | 12010900    | ● |
| 33,00          | 52,00          | 10,00 | C        | metal         | 0,05     | 72 NBR 902 | B2U       | 22955       | ● |
| 33,00          | 52,00          | 10,00 | A        | smooth        | 0,05     | 72 NBR 902 | BA        | 7875        | ● |
| 33,00          | 55,00          | 7,00  | B        | metal         | 0,05     | 72 NBR 902 | B1U       | 149452      | ○ |
| 34,00          | 45,00          | 7,00  | B        | metal         | 0,05     | 72 NBR 902 | B1        | 20275       | ● |
| 34,00          | 46,00          | 8,00  | A        | smooth        | 0,05     | 72 NBR 902 | BA        | 49002841    | ● |
| 34,00          | 47,00          | 9,00  | B        | metal         | 0,05     | 72 NBR 902 | B1        | 19445       | ● |
| 34,00          | 49,30          | 9,50  | B        | metal         | 0,05     | 72 NBR 902 | B1U       | 19756       | ● |
| 34,00          | 50,00          | 10,00 | C        | metal         | 0,05     | 72 NBR 902 | B2U       | 22717       | ● |
| 34,00          | 50,00          | 10,00 | A        | smooth        | 0,05     | 72 NBR 902 | BA        | 7920        | ● |
| 34,00          | 52,00          | 7,00  | B        | metal         | 0,05     | 72 NBR 902 | B1        | 19447       | ● |
| 34,00          | 52,00          | 7,00  | AS       | smooth        | 0,05     | 72 NBR 902 | BAUSLX2   | 520466      | ● |
| 34,00          | 52,00          | 7,00  | A        | smooth        | 0,05     | 72 NBR 902 | BAUX2     | 521284      | ● |
| 34,00          | 52,00          | 8,00  | B        | metal         | 0,05     | 72 NBR 902 | B1U       | 19448       | ● |
| 34,00          | 52,00          | 8,00  | A        | smooth        | 0,05     | 72 NBR 902 | BAU       | 7921        | ● |
| 34,00          | 52,00          | 10,00 | AS       | smooth        | 0,02     | 72 NBR 902 | BAFUDSL   | 12011142    | ● |
| 34,00          | 52,00          | 10,00 | C        | metal         | 0,05     | 72 NBR 902 | B2        | 22963       | ● |
| 34,00          | 52,00          | 10,00 | A        | smooth        | 0,05     | 72 NBR 902 | BAU       | 7926        | ● |

● Available from stock    ○ On request: Tool is available, delivery at short notice    \* → Diagram 2, page 18

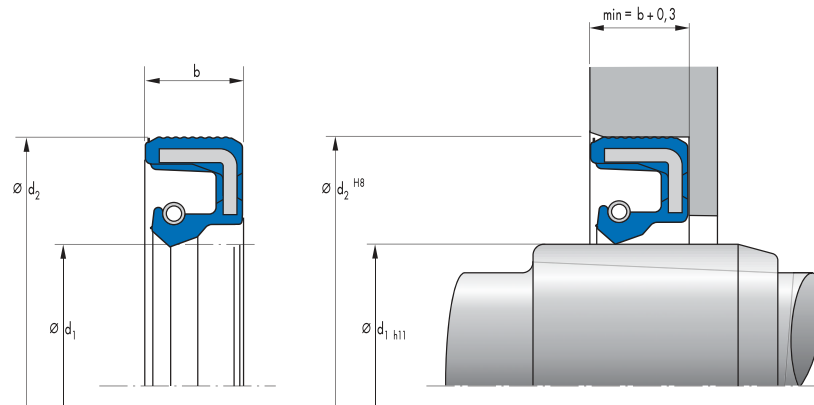


| d <sub>1</sub> | d <sub>2</sub> | b     | DIN 3761 | Outer surface | Pressure    | Material    | Type     | Article No. |   |
|----------------|----------------|-------|----------|---------------|-------------|-------------|----------|-------------|---|
| 34,00          | 58,00          | 13,00 | C        | metal         | 0,05        | 72 NBR 902  | B2       | 22965       | ● |
| 34,00          | 62,00          | 10,00 | C        | metal         | 0,05        | 72 NBR 902  | B2       | 22966       | ○ |
| 34,00          | 62,00          | 10,00 | A        | smooth        | 0,05        | 72 NBR 902  | BA       | 7931        | ● |
| 34,00          | 72,00          | 12,00 | C        | metal         | 0,05        | 72 NBR 902  | B2       | 22968       | ● |
| 35,00          | 45,00          | 7,00  | A        | smooth        | 0,05        | 72 NBR 902  | BA       | 143444      | ● |
| 35,00          | 45,00          | 7,00  | B        | metal         | 0,02        | 72 NBR 902  | B1FUD    | 334380      | ● |
| 35,00          | 45,00          | 7,00  | BS       | metal         | 0,02        | 72 NBR 902  | B1FUDSL  | 346129      | ● |
| 35,00          | 45,00          | 7,00  | A        | grooved       | 0,05        | 75 FKM 585  | BAUMX7   | 402913      | ● |
| 35,00          | 47,00          | 4,50  | AS       | smooth        | 0,05        | 72 NBR 902  | BAUSLX2  | 478057      | ● |
| 35,00          | 47,00          | 4,50  | A        | smooth        | 0,05        | 72 NBR 902  | BAUX2    | 478767      | ● |
| 35,00          | 47,00          | 4,50  | A        | smooth        | 0,05        | 75 FKM 585  | BAUM     | 521388      | ● |
| 35,00          | 47,00          | 6,00  | AS       | smooth        | *           | 72 NBR 902  | BABSL    | 12001688    | ● |
| 35,00          | 47,00          | 6,00  | B        | metal         | 0,05        | 72 NBR 902  | B1U      | 19459       | ● |
| 35,00          | 47,00          | 6,00  | AS       | smooth        | *           | 75 FKM 595  | BABSL    | 418676      | ● |
| 35,00          | 47,00          | 7,00  | A        | smooth        | 0,05        | 75 FKM 595  | BAUM     | 121904      | ○ |
| 35,00          | 47,00          | 7,00  | AS       | smooth        | 0,05        | 75 FKM 585  | BAUMSL   | 305066      | ○ |
| 35,00          | 47,00          | 7,00  | BS       | metal         | 0,02        | 72 NBR 902  | B1FUDSL  | 334280      | ● |
| 35,00          | 47,00          | 7,00  | B        | metal         | 0,02        | 72 NBR 902  | B1FUD    | 355463      | ● |
| 35,00          | 47,00          | 7,00  | A        | grooved       | 0,05        | 75 FKM 585  | BAUMX7   | 388048      | ● |
| 35,00          | 47,00          | 7,00  | AS       | grooved       | 0,05        | 75 FKM 585  | BAUMSLX7 | 478651      | ● |
| 35,00          | 47,00          | 7,00  | A        | smooth        | 0,05        | 72 NBR 902  | BAUX2    | 478754      | ● |
| 35,00          | 47,00          | 7,00  | AS       | smooth        | 0,05        | 72 NBR 902  | BAUSLX2  | 478775      | ● |
| 35,00          | 47,00          | 8,00  | C        | metal         | up to 1 MPa | PTFE F56101 | B2PT     | 406651      | ● |
| 35,00          | 47,00          | 10,00 | B        | metal         | 0,05        | 72 NBR 902  | B1U      | 19463       | ● |
| 35,00          | 48,00          | 7,00  | AS       | grooved       | 0,05        | 75 FKM 585  | BAUMSLX7 | 410779      | ● |
| 35,00          | 49,30          | 9,50  | B        | metal         | 0,05        | 72 NBR 902  | B1U      | 19464       | ● |
| 35,00          | 49,30          | 9,50  | A        | smooth        | 0,05        | 72 NBR 902  | BA       | 7970        | ● |
| 35,00          | 50,00          | 7,00  | AS       | smooth        | *           | 72 NBR 902  | BABSL    | 12011521    | ● |
| 35,00          | 50,00          | 7,00  | B        | metal         | 0,02        | 72 NBR 902  | B1FUD    | 335008      | ● |
| 35,00          | 50,00          | 7,00  | A        | grooved       | 0,02        | 72 NBR 902  | BAFUDX7  | 355627      | ● |
| 35,00          | 50,00          | 7,00  | A        | grooved       | 0,05        | 75 FKM 585  | BAUMX7   | 400759      | ● |
| 35,00          | 50,00          | 7,00  | AS       | grooved       | 0,05        | 75 FKM 585  | BAUMSLX7 | 429489      | ● |
| 35,00          | 50,00          | 8,00  | C        | metal         | up to 1 MPa | PTFE F56101 | B2PT     | 406652      | ● |
| 35,00          | 50,00          | 8,00  | AS       | smooth        | 0,05        | 72 NBR 902  | BAUSLX2  | 49023892    | ● |
| 35,00          | 50,00          | 9,00  | C        | metal         | 0,02        | 72 NBR 902  | B2FUD    | 335011      | ● |
| 35,00          | 50,00          | 10,00 | B        | metal         | 0,02        | 72 NBR 902  | B1FUD    | 335009      | ● |

● Available from stock    ○ On request: Tool is available, delivery at short notice    \* → Diagram 2, page 18

| d <sub>1</sub> | d <sub>2</sub> | b     | DIN 3761 | Outer surface | Pressure       | Material      | Type     | Article No. |   |
|----------------|----------------|-------|----------|---------------|----------------|---------------|----------|-------------|---|
| 35,00          | 50,00          | 10,00 | C        | metal         | 0,02           | 72 NBR 902    | B2FUD    | 335010      | ● |
| 35,00          | 50,00          | 10,00 | BS       | metal         | 0,02           | 72 NBR 902    | B1FUDSL  | 335099      | ● |
| 35,00          | 50,00          | 10,00 | A        | smooth        | 0,05           | 72 NBR 902    | BAU      | 7976        | ● |
| 35,00          | 50,00          | 12,00 | BS       | metal         | 0,05           | 72 NBR 902    | B1SL     | 20090       | ● |
| 35,00          | 50,00          | 12,00 | C        | metal         | 0,02           | 72 NBR 902    | B2FUD    | 335476      | ● |
| 35,00          | 52,00          | 4,50  | A        | metal         | un-pressurised | 80 NBR 177458 | MSC 01   | 508528      | ● |
| 35,00          | 52,00          | 4,50  | A        | metal         | un-pressurised | 80 FKM 177459 | MSC 01   | 508576      | ● |
| 35,00          | 52,00          | 6,00  | AS       | smooth        | *              | 72 NBR 902    | BABSL    | 3004        | ● |
| 35,00          | 52,00          | 6,00  | AS       | smooth        | *              | 75 FKM 595    | BABSL    | 418688      | ● |
| 35,00          | 52,00          | 6,00  | AS       | smooth        | *              | 72 NBR 902    | BABSL    | 436315      | ○ |
| 35,00          | 52,00          | 7,00  | B        | metal         | 0,02           | 72 NBR 902    | B1FUD    | 334271      | ● |
| 35,00          | 52,00          | 7,00  | A        | grooved       | 0,05           | 75 FKM 585    | BAUMX7   | 403081      | ● |
| 35,00          | 52,00          | 7,00  | A        | smooth        | 0,05           | 72 NBR 902    | BAUX2    | 478467      | ● |
| 35,00          | 52,00          | 7,00  | AS       | grooved       | 0,05           | 75 FKM 585    | BAUMSLX7 | 521006      | ● |
| 35,00          | 52,00          | 7,00  | AS       | smooth        | 0,05           | 72 NBR 902    | BAUSLX2  | 526079      | ● |
| 35,00          | 52,00          | 7,00  | AS       | smooth        | 0,05           | 72 NBR 902    | BAUSLX2  | 529399      | ○ |
| 35,00          | 52,00          | 8,00  | C        | metal         | up to 1 MPa    | PTFE F56101   | B2PT     | 406653      | ● |
| 35,00          | 52,00          | 9,00  | C        | metal         | 0,02           | 72 NBR 902    | B2FUD    | 334917      | ● |
| 35,00          | 52,00          | 9,00  | CS       | metal         | 0,05           | 72 NBR 902    | B2USL    | 34895       | ● |
| 35,00          | 52,00          | 10,00 | A        | smooth        | 0,05           | 72 NBR 902    | BAU      | 307255      | ○ |
| 35,00          | 52,00          | 10,00 | B        | metal         | 0,02           | 72 NBR 902    | B1FUD    | 334272      | ● |
| 35,00          | 52,00          | 10,00 | A        | grooved       | 0,02           | 72 NBR 902    | BAFUDX7  | 334307      | ● |
| 35,00          | 52,00          | 10,00 | C        | metal         | 0,02           | 72 NBR 902    | B2FUD    | 334918      | ● |
| 35,00          | 52,00          | 10,00 | AS       | grooved       | 0,05           | 72 NBR 902    | BAUSLX27 | 451929      | ● |
| 35,00          | 52,00          | 10,00 | AS       | smooth        | 0,05           | 72 NBR 902    | BAUSLX2  | 49036047    | ● |
| 35,00          | 52,00          | 10,00 | A        | smooth        | 0,05           | 72 NBR 902    | BA       | 523557      | ● |
| 35,00          | 52,00          | 12,00 | B        | metal         | 0,05           | 72 NBR 902    | B1USL    | 20135       | ● |
| 35,00          | 52,00          | 12,00 | B        | metal         | 0,02           | 72 NBR 902    | B1FUD    | 334273      | ● |
| 35,00          | 52,00          | 12,00 | C        | metal         | 0,02           | 72 NBR 902    | B2FUD    | 334919      | ● |
| 35,00          | 53,00          | 6,50  | A        | metal         | un-pressurised | 80 FKM 177459 | MSC 02   | 508609      | ● |
| 35,00          | 53,00          | 6,50  | A        | metal         | un-pressurised | 80 NBR 177458 | MSC 02   | 508633      | ● |
| 35,00          | 55,00          | 7,00  | AS       | grooved       | 0,05           | 75 FKM 585    | BAUMSLX7 | 410780      | ● |
| 35,00          | 55,00          | 7,00  | A        | grooved       | 0,05           | 75 FKM 585    | BAUMX7   | 526017      | ● |
| 35,00          | 55,00          | 7,50  | A        | smooth        | 0,05           | 75 FKM 585    | BAUM     | 49036525    | ○ |
| 35,00          | 55,00          | 8,00  | A        | grooved       | 0,02           | 72 NBR 902    | BAFUDX7  | 355625      | ● |
| 35,00          | 55,00          | 8,00  | C        | metal         | up to 1 MPa    | PTFE F56101   | B2PT     | 406698      | ● |
| 35,00          | 55,00          | 10,00 | A        | smooth        | 0,05           | 72 NBR 902    | BAUSL    | 301731      | ○ |
| 35,00          | 55,00          | 10,00 | A        | smooth        | 0,05           | 72 NBR 902    | BAU      | 8008        | ● |
| 35,00          | 55,00          | 11,00 | AS       | smooth        | 0,02           | 72 NBR 902    | BAFUDSL  | 12011146    | ● |
| 35,00          | 55,00          | 12,00 | B        | metal         | 0,05           | 72 NBR 902    | B1       | 19765       | ● |
| 35,00          | 55,00          | 12,00 | C        | metal         | 0,05           | 72 NBR 902    | B2       | 22974       | ● |
| 35,00          | 55,50          | 9,00  | B        | metal         | 0,05           | 72 NBR 902    | B1U      | 19467       | ● |
| 35,00          | 56,00          | 8,00  | A        | smooth        | 0,02           | 72 NBR 902    | BAFUD    | 523407      | ● |
| 35,00          | 56,00          | 10,00 | B        | metal         | 0,05           | 72 NBR 902    | B1U      | 19766       | ● |
| 35,00          | 56,00          | 10,00 | B        | metal         | 0,05           | 72 NBR 902    | B1USL    | 20136       | ● |
| 35,00          | 56,00          | 10,00 | C        | metal         | 0,05           | 72 NBR 902    | B2U      | 22975       | ● |
| 35,00          | 56,00          | 10,00 | A        | smooth        | 0,05           | 72 NBR 902    | BAU      | 8018        | ● |
| 35,00          | 56,00          | 12,00 | B        | metal         | 0,05           | 72 NBR 902    | B1U      | 19767       | ● |
| 35,00          | 56,00          | 12,00 | BS       | metal         | 0,05           | 72 NBR 902    | B1SL     | 20137       | ● |
| 35,00          | 56,00          | 12,00 | C        | metal         | 0,05           | 72 NBR 902    | B2U      | 22976       | ● |

● Available from stock    ○ On request: Tool is available, delivery at short notice    \* → Diagram 2, page 18

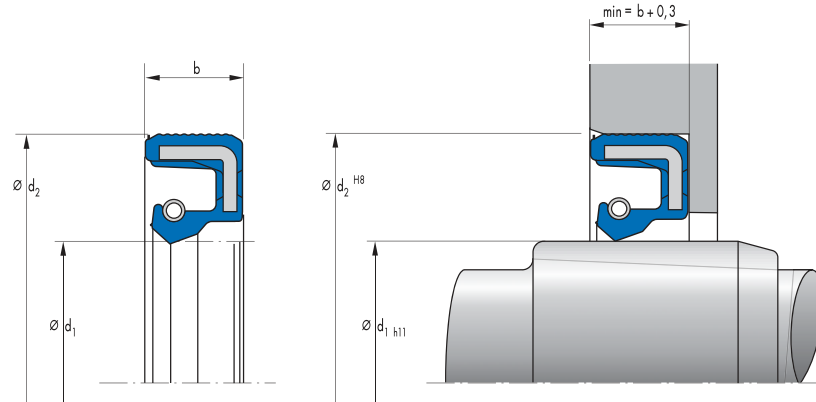


| d <sub>1</sub> | d <sub>2</sub> | b     | DIN 3761 | Outer surface | Pressure    | Material    | Type     | Article No. |   |
|----------------|----------------|-------|----------|---------------|-------------|-------------|----------|-------------|---|
| 35,00          | 56,00          | 12,00 | A        | smooth        | 0,05        | 72 NBR 902  | BA       | 8021        | ● |
| 35,00          | 58,00          | 10,00 | A        | smooth        | 0,02        | 72 NBR 902  | BAFUD    | 12010911    | ● |
| 35,00          | 58,00          | 13,00 | C        | metal         | 0,05        | 72 NBR 902  | B2       | 22977       | ● |
| 35,00          | 58,00          | 13,00 | A        | smooth        | 0,05        | 72 NBR 902  | BA       | 8032        | ● |
| 35,00          | 60,00          | 10,00 | A        | smooth        | 0,02        | 72 NBR 902  | BAFUD    | 12010912    | ● |
| 35,00          | 60,00          | 10,00 | B        | metal         | 0,05        | 72 NBR 902  | B1       | 19769       | ● |
| 35,00          | 60,00          | 10,00 | C        | metal         | 0,05        | 72 NBR 902  | B2       | 22978       | ● |
| 35,00          | 60,00          | 12,00 | C        | metal         | 0,05        | 72 NBR 902  | B2       | 22980       | ● |
| 35,00          | 62,00          | 7,00  | B        | metal         | 0,02        | 72 NBR 902  | B1FUD    | 335187      | ● |
| 35,00          | 62,00          | 7,00  | A        | grooved       | 0,05        | 75 FKM 585  | BAUMX7   | 400459      | ● |
| 35,00          | 62,00          | 7,00  | AS       | grooved       | 0,05        | 75 FKM 585  | BAUMSLX7 | 477670      | ● |
| 35,00          | 62,00          | 7,00  | AS       | smooth        | 0,05        | 72 NBR 902  | BAUSLX2  | 521678      | ● |
| 35,00          | 62,00          | 7,00  | A        | smooth        | 0,05        | 72 NBR 902  | BAUX2    | 524700      | ● |
| 35,00          | 62,00          | 8,00  | B        | metal         | 0,02        | 72 NBR 902  | B1FUD    | 335973      | ● |
| 35,00          | 62,00          | 8,00  | C        | metal         | up to 1 MPa | PTFE F56101 | B2PT     | 406699      | ● |
| 35,00          | 62,00          | 8,00  | AS       | smooth        | 0,05        | 72 NBR 902  | BAUSLX2  | 477145      | ● |
| 35,00          | 62,00          | 8,00  | AS       | smooth        | 0,05        | 75 FKM 585  | BAUMSL   | 477146      | ● |
| 35,00          | 62,00          | 8,00  | -        | smooth        | 0,05        | 72 NBR 902  | MSS 1    | 525414      | ● |
| 35,00          | 62,00          | 8,00  | -        | smooth        | 0,05        | 75 FKM 585  | MSS 1    | 525445      | ● |
| 35,00          | 62,00          | 8,00  | -        | smooth        | 0,05        | 72 NBR 902  | MSS 7    | 477277      | ● |
| 35,00          | 62,00          | 9,00  | C        | metal         | 0,02        | 72 NBR 902  | B2FUD    | 335998      | ● |
| 35,00          | 62,00          | 10,00 | B        | metal         | 0,02        | 72 NBR 902  | B1FUD    | 335974      | ● |
| 35,00          | 62,00          | 10,00 | C        | metal         | 0,02        | 72 NBR 902  | B2FUD    | 335997      | ● |
| 35,00          | 62,00          | 10,00 | A        | grooved       | 0,02        | 72 NBR 902  | BAFUDX7  | 355435      | ● |
| 35,00          | 62,00          | 10,00 | AS       | grooved       | 0,05        | 72 NBR 902  | BAUSLX27 | 49001657    | ● |
| 35,00          | 62,00          | 10,00 | A        | smooth        | 0,05        | 72 NBR 902  | BA       | 8049        | ● |
| 35,00          | 62,00          | 12,00 | B        | metal         | 0,05        | 72 NBR 902  | B1U      | 19772       | ● |
| 35,00          | 62,00          | 12,00 | B        | metal         | 0,05        | 72 NBR 902  | B1USL    | 20138       | ● |
| 35,00          | 62,00          | 12,00 | C        | metal         | 0,02        | 72 NBR 902  | B2FUD    | 335996      | ● |
| 35,00          | 62,00          | 12,00 | A        | smooth        | 0,05        | 72 NBR 902  | BAUSL    | 8055        | ● |
| 35,00          | 62,00          | 14,00 | A        | smooth        | 0,05        | 75 FKM 595  | BADUO    | 338716      | ○ |
| 35,00          | 62,00          | 14,00 | A        | smooth        | 0,05        | 72 NBR 902  | BADUO    | 8058        | ○ |
| 35,00          | 65,00          | 10,00 | C        | metal         | 0,05        | 72 NBR 902  | B2U      | 22983       | ● |
| 35,00          | 65,00          | 10,00 | A        | smooth        | 0,05        | 72 NBR 902  | BAUSL    | 396063      | ● |
| 35,00          | 65,00          | 10,00 | A        | smooth        | 0,05        | 72 NBR 902  | BA       | 8060        | ● |
| 35,00          | 68,00          | 10,00 | AS       | smooth        | 0,05        | 72 NBR 902  | BAUSLX2  | 522766      | ● |

● Available from stock    ○ On request: Tool is available, delivery at short notice    \* → Diagram 2, page 18

| d <sub>1</sub> | d <sub>2</sub> | b     | DIN 3761 | Outer surface | Pressure | Material   | Type      | Article No. |   |
|----------------|----------------|-------|----------|---------------|----------|------------|-----------|-------------|---|
| 35,00          | 70,00          | 12,00 | C        | metal         | 0,05     | 72 NBR 902 | B2U       | 22985       | ● |
| 35,00          | 72,00          | 7,00  | A        | grooved       | 0,05     | 75 FKM 585 | BAUMX7    | 400466      | ● |
| 35,00          | 72,00          | 7,00  | A        | grooved       | 0,02     | 72 NBR 902 | BAFUDX7   | 407517      | ● |
| 35,00          | 72,00          | 7,00  | AS       | smooth        | 0,05     | 75 FKM 585 | BAUMSL    | 49012066    | ● |
| 35,00          | 72,00          | 10,00 | A        | smooth        | 0,02     | 72 NBR 902 | BAFUD     | 12010915    | ● |
| 35,00          | 72,00          | 10,00 | AS       | smooth        | 0,02     | 72 NBR 902 | BAFUDSL   | 12013421    | ● |
| 35,00          | 72,00          | 10,00 | A        | smooth        | 0,05     | 72 NBR 902 | BAUX2     | 49037523    | ● |
| 35,00          | 72,00          | 10,00 | AS       | smooth        | 0,05     | 72 NBR 902 | BAUSLX2   | 49037524    | ● |
| 35,00          | 72,00          | 12,00 | C        | metal         | 0,02     | 72 NBR 902 | B2FUD     | 334920      | ● |
| 35,00          | 72,00          | 12,00 | B        | metal         | 0,02     | 72 NBR 902 | B1FUD     | 334956      | ● |
| 35,00          | 72,00          | 12,00 | AS       | smooth        | 0,05     | 72 NBR 902 | BASL      | 35525       | ● |
| 35,00          | 72,00          | 12,00 | A        | grooved       | 0,02     | 72 NBR 902 | BAFUDX7   | 355478      | ● |
| 35,00          | 80,00          | 10,00 | AS       | smooth        | 0,02     | 72 NBR 902 | BAFUDSL   | 12000498    | ● |
| 35,00          | 80,00          | 12,00 | A        | smooth        | 0,05     | 72 NBR 902 | BAUX2     | 524507      | ● |
| 35,00          | 80,00          | 13,00 | C        | metal         | 0,02     | 72 NBR 902 | B2FUD     | 334921      | ● |
| 35,00          | 80,00          | 13,00 | A        | smooth        | 0,05     | 75 FKM 585 | BAUM      | 49012064    | ● |
| 36,00          | 47,00          | 7,00  | B        | metal         | 0,05     | 72 NBR 902 | B1        | 20250       | ● |
| 36,00          | 47,00          | 7,00  | A        | smooth        | 0,05     | 72 NBR 902 | BA        | 3441        | ● |
| 36,00          | 47,00          | 7,00  | A        | grooved       | 0,05     | 75 FKM 585 | BAUMX7    | 403084      | ● |
| 36,00          | 50,00          | 7,00  | B        | metal         | 0,05     | 72 NBR 902 | B1        | 31481       | ● |
| 36,00          | 50,00          | 7,00  | A        | grooved       | 0,02     | 72 NBR 902 | BAFUDX7   | 355476      | ● |
| 36,00          | 50,00          | 7,00  | AS       | grooved       | 0,05     | 75 FKM 585 | BAUMSLX7  | 410183      | ● |
| 36,00          | 50,00          | 10,00 | A        | smooth        | 0,05     | 72 NBR 902 | BA        | 8074        | ● |
| 36,00          | 52,00          | 7,00  | B        | metal         | 0,05     | 72 NBR 902 | B1U       | 19470       | ● |
| 36,00          | 52,00          | 7,00  | A        | grooved       | 0,05     | 75 FKM 585 | BAUMX7    | 410781      | ● |
| 36,00          | 52,00          | 7,00  | B        | metal         | 0,05     | 72 NBR 902 | B1U       | 424793      | ○ |
| 36,00          | 52,00          | 7,00  | A        | smooth        | 0,05     | 72 NBR 902 | BAUX2     | 49009240    | ● |
| 36,00          | 52,00          | 9,00  | B        | metal         | 0,05     | 72 NBR 902 | B1        | 19471       | ● |
| 36,00          | 52,00          | 9,00  | C        | metal         | 0,05     | 72 NBR 902 | B2        | 2865        | ● |
| 36,00          | 54,00          | 7,00  | A        | smooth        | 0,05     | 72 NBR 902 | BAUX2     | 533282      | ● |
| 36,00          | 56,00          | 10,00 | C        | metal         | 0,05     | 72 NBR 902 | B2        | 22988       | ● |
| 36,00          | 56,00          | 10,00 | A        | smooth        | 0,05     | 72 NBR 902 | BAU       | 8083        | ● |
| 36,00          | 56,00          | 12,00 | C        | metal         | 0,05     | 72 NBR 902 | B2        | 22720       | ● |
| 36,00          | 58,00          | 10,00 | B        | metal         | 0,05     | 72 NBR 902 | B1        | 20316       | ● |
| 36,00          | 62,00          | 7,00  | AS       | grooved       | 0,02     | 72 NBR 902 | BAFUDSLX7 | 12014769    | ● |
| 36,00          | 62,00          | 7,00  | A        | smooth        | 0,05     | 72 NBR 902 | BA        | 18265       | ● |
| 36,00          | 62,00          | 9,00  | C        | metal         | 0,05     | 72 NBR 902 | B2        | 18224       | ● |
| 36,00          | 62,00          | 10,00 | C        | metal         | 0,05     | 72 NBR 902 | B2        | 22721       | ● |
| 36,00          | 62,00          | 12,00 | C        | metal         | 0,05     | 72 NBR 902 | B2        | 22991       | ● |
| 36,00          | 68,00          | 10,00 | AS       | smooth        | 0,05     | 72 NBR 902 | BAUSLX2   | 475374      | ● |
| 36,00          | 72,00          | 12,00 | C        | metal         | 0,05     | 72 NBR 902 | B2        | 22993       | ● |
| 37,00          | 52,00          | 8,00  | B        | metal         | 0,05     | 75 FKM 595 | B1USL     | 330557      | ○ |
| 37,00          | 52,00          | 8,00  | A        | smooth        | 0,05     | 72 NBR 902 | BAU       | 8112        | ● |
| 37,00          | 52,00          | 10,00 | C        | metal         | 0,05     | 72 NBR 902 | B2U       | 20711       | ● |
| 37,00          | 56,00          | 10,00 | C        | metal         | 0,05     | 72 NBR 902 | B2        | 27478       | ● |
| 37,00          | 58,00          | 13,00 | C        | metal         | 0,05     | 72 NBR 902 | B2        | 23496       | ● |
| 37,00          | 62,00          | 8,00  | B        | metal         | 0,05     | 72 NBR 902 | B1U       | 425353      | ○ |
| 37,00          | 62,00          | 9,00  | C        | metal         | 0,05     | 72 NBR 902 | B2U       | 22996       | ● |
| 37,00          | 62,00          | 10,00 | A        | smooth        | 0,05     | 72 NBR 902 | BA        | 8118        | ● |
| 37,00          | 62,00          | 12,00 | C        | metal         | 0,05     | 72 NBR 902 | B2        | 22997       | ○ |

● Available from stock ○ On request: Tool is available, delivery at short notice \* → Diagram 2, page 18

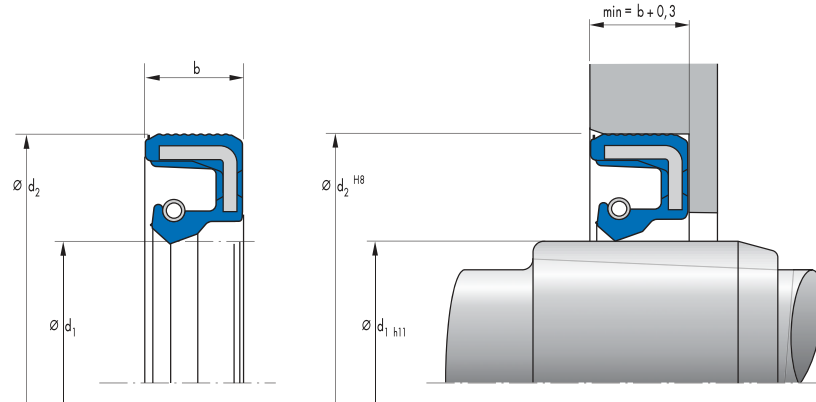


| d <sub>1</sub> | d <sub>2</sub> | b     | DIN 3761 | Outer surface | Pressure       | Material      | Type     | Article No. |   |
|----------------|----------------|-------|----------|---------------|----------------|---------------|----------|-------------|---|
| 37,00          | 80,00          | 13,00 | C        | metal         | 0,05           | 72 NBR 902    | B2U      | 22999       | ● |
| 38,00          | 50,00          | 6,00  | AS       | smooth        | *              | 72 NBR 902    | BABSL    | 523552      | ● |
| 38,00          | 50,00          | 7,00  | B        | metal         | 0,05           | 72 NBR 902    | B1USL    | 20093       | ● |
| 38,00          | 50,00          | 7,00  | B        | metal         | 0,05           | 72 NBR 902    | B1U      | 20372       | ● |
| 38,00          | 50,00          | 7,00  | A        | grooved       | 0,02           | 72 NBR 902    | BAFUDX7  | 334309      | ● |
| 38,00          | 50,00          | 7,00  | A        | grooved       | 0,05           | 75 FKM 585    | BAUMX7   | 410782      | ● |
| 38,00          | 52,00          | 7,00  | B        | metal         | 0,05           | 72 NBR 902    | B1USL    | 13610       | ● |
| 38,00          | 52,00          | 7,00  | B        | metal         | 0,02           | 72 NBR 902    | B1FUD    | 334371      | ● |
| 38,00          | 52,00          | 7,00  | A        | grooved       | 0,05           | 75 FKM 585    | BAUMX7   | 402914      | ● |
| 38,00          | 52,00          | 7,00  | AS       | grooved       | 0,05           | 75 FKM 585    | BAUMSLX7 | 410184      | ● |
| 38,00          | 52,00          | 7,00  | AS       | smooth        | 0,05           | 72 NBR 902    | BAUSLX2  | 49002810    | ● |
| 38,00          | 52,00          | 7,00  | A        | smooth        | 0,05           | 72 NBR 902    | BAUX2    | 49008124    | ● |
| 38,00          | 52,00          | 8,00  | A        | smooth        | 0,05           | 72 NBR 902    | BAU      | 17193       | ● |
| 38,00          | 52,00          | 10,00 | B        | metal         | 0,02           | 72 NBR 902    | B1FUD    | 334689      | ● |
| 38,00          | 52,00          | 10,00 | A        | smooth        | 0,05           | 72 NBR 902    | BAU      | 8135        | ● |
| 38,00          | 54,00          | 6,50  | A        | smooth        | 0,05           | 72 NBR 902    | BA       | 8137        | ● |
| 38,00          | 54,00          | 10,00 | B        | metal         | 0,05           | 72 NBR 902    | B1       | 19782       | ● |
| 38,00          | 54,00          | 10,00 | A        | smooth        | 0,05           | 72 NBR 902    | BA       | 8141        | ● |
| 38,00          | 55,00          | 4,50  | A        | metal         | un-pressurised | 80 NBR 177458 | MSC 01   | 508529      | ● |
| 38,00          | 55,00          | 4,50  | A        | metal         | un-pressurised | 80 FKM 177459 | MSC 01   | 508577      | ● |
| 38,00          | 55,00          | 7,00  | B        | metal         | 0,05           | 72 NBR 902    | B1U      | 2507        | ● |
| 38,00          | 55,00          | 7,00  | A        | grooved       | 0,05           | 75 FKM 585    | BAUMX7   | 388816      | ● |
| 38,00          | 55,00          | 7,00  | A        | smooth        | 0,05           | 72 NBR 902    | BA       | 49002526    | ● |
| 38,00          | 55,00          | 8,00  | C        | metal         | up to 1 MPa    | PTFE F56101   | B2PT     | 406700      | ● |
| 38,00          | 55,00          | 9,00  | C        | metal         | 0,05           | 72 NBR 902    | B2U      | 2486        | ● |
| 38,00          | 55,00          | 10,00 | C        | metal         | 0,05           | 72 NBR 902    | B2U      | 23000       | ● |
| 38,00          | 55,00          | 10,00 | A        | smooth        | 0,05           | 72 NBR 902    | BA       | 356911      | ○ |
| 38,00          | 55,00          | 10,00 | AS       | grooved       | 0,05           | 75 FKM 585    | BAUMSLX7 | 476382      | ● |
| 38,00          | 55,00          | 10,00 | A        | smooth        | 0,05           | 72 NBR 902    | BAU      | 8145        | ● |
| 38,00          | 55,00          | 12,00 | C        | metal         | 0,05           | 72 NBR 902    | B2U      | 23001       | ● |
| 38,00          | 56,00          | 10,00 | C        | metal         | 0,05           | 72 NBR 902    | B2U      | 23002       | ● |
| 38,00          | 56,00          | 10,00 | AS       | grooved       | 0,05           | 75 FKM 585    | BAUMSLX7 | 49042633    | ● |
| 38,00          | 56,00          | 10,00 | A        | smooth        | 0,05           | 72 NBR 902    | BA       | 8150        | ● |
| 38,00          | 56,00          | 12,00 | B        | metal         | 0,05           | 72 NBR 902    | B1       | 19785       | ● |
| 38,00          | 56,00          | 12,00 | C        | metal         | 0,05           | 72 NBR 902    | B2       | 23003       | ● |
| 38,00          | 58,00          | 10,00 | A        | smooth        | 0,05           | 72 NBR 902    | BA       | 8151        | ● |

● Available from stock    ○ On request: Tool is available, delivery at short notice    \* → Diagram 2, page 18

| d <sub>1</sub> | d <sub>2</sub> | b     | DIN 3761 | Outer surface | Pressure       | Material    | Type     | Article No. |   |
|----------------|----------------|-------|----------|---------------|----------------|-------------|----------|-------------|---|
| 38,00          | 60,00          | 7,00  | A        | grooved       | 0,05           | 75 FKM 585  | BAUMX7   | 410783      | ● |
| 38,00          | 60,00          | 10,00 | C        | metal         | 0,05           | 72 NBR 902  | B2       | 23004       | ○ |
| 38,00          | 60,00          | 10,00 | A        | smooth        | 0,05           | 72 NBR 902  | BAU      | 8153        | ● |
| 38,00          | 62,00          | 7,00  | A        | smooth        | 0,05           | 72 NBR 902  | BAU      | 13052       | ● |
| 38,00          | 62,00          | 7,00  | B        | metal         | 0,02           | 72 NBR 902  | B1FUD    | 334957      | ● |
| 38,00          | 62,00          | 7,00  | A        | grooved       | 0,05           | 75 FKM 585  | BAUMX7   | 400528      | ● |
| 38,00          | 62,00          | 7,00  | AS       | grooved       | 0,05           | 75 FKM 585  | BAUMSLX7 | 407134      | ● |
| 38,00          | 62,00          | 9,00  | C        | metal         | 0,02           | 72 NBR 902  | B2FUD    | 334922      | ● |
| 38,00          | 62,00          | 10,00 | C        | metal         | 0,02           | 72 NBR 902  | B2FUD    | 334923      | ● |
| 38,00          | 62,00          | 10,00 | A        | smooth        | 0,05           | 72 NBR 902  | BAU      | 8156        | ● |
| 38,00          | 62,00          | 12,00 | B        | metal         | 0,02           | 72 NBR 902  | B1FUD    | 334274      | ● |
| 38,00          | 62,00          | 12,00 | C        | metal         | 0,02           | 72 NBR 902  | B2FUD    | 334924      | ● |
| 38,00          | 62,00          | 12,00 | A        | smooth        | 0,05           | 72 NBR 902  | BA       | 8162        | ● |
| 38,00          | 65,00          | 10,00 | C        | metal         | 0,05           | 72 NBR 902  | B2       | 23008       | ● |
| 38,00          | 65,00          | 10,00 | A        | smooth        | 0,05           | 72 NBR 902  | BAUSL    | 325682      | ● |
| 38,00          | 65,00          | 10,00 | A        | smooth        | 0,05           | 72 NBR 902  | BA       | 8165        | ● |
| 38,00          | 72,00          | 10,00 | A        | smooth        | 0,02           | 72 NBR 902  | BAFUD    | 523550      | ● |
| 38,00          | 72,00          | 12,00 | C        | metal         | 0,05           | 72 NBR 902  | B2U      | 23012       | ● |
| 38,00          | 72,00          | 12,00 | A        | smooth        | 0,05           | 72 NBR 902  | BAU      | 302909      | ● |
| 38,00          | 74,00          | 10,00 | A        | smooth        | 0,05           | 72 NBR 902  | BAUSL    | 8167        | ● |
| 38,00          | 80,00          | 12,00 | A        | smooth        | 0,05           | 72 NBR 902  | BA       | 8169        | ● |
| 38,00          | 90,00          | 12,00 | A        | grooved       | 0,05           | 72 NBR 902  | BAUX27   | 453161      | ● |
| 38,10          | 57,15          | 7,93  | AS       | smooth        | *              | 72 NBR 902  | BABSL    | 64843       | ● |
| 38,10          | 57,15          | 9,50  | B        | metal         | 0,05           | 72 NBR 902  | B1U      | 19476       | ● |
| 39,00          | 52,00          | 6,50  | B        | metal         | 0,05           | 72 NBR 902  | B1       | 7990        | ● |
| 39,00          | 52,00          | 6,50  | A        | smooth        | 0,05           | 72 NBR 902  | BA       | 8188        | ● |
| 39,00          | 55,50          | 9,00  | B        | metal         | 0,05           | 72 NBR 902  | B1U      | 19480       | ● |
| 39,00          | 62,00          | 12,00 | C        | metal         | 0,05           | 72 NBR 902  | B2       | 23016       | ● |
| 40,00          | 47,00          | 4,00  | B        | metal         | un-pressurised | 72 NBR 902  | B1OF     | 344693      | ● |
| 40,00          | 47,00          | 4,00  | BS       | metal         | 0,05           | 72 NBR 902  | B1USLX2  | 49005636    | ○ |
| 40,00          | 50,00          | 7,00  | A        | smooth        | 0,05           | 72 NBR 902  | BAUX2    | 475178      | ● |
| 40,00          | 52,00          | 6,00  | A        | grooved       | 0,02           | 72 NBR 902  | BAFUDX7  | 334824      | ● |
| 40,00          | 52,00          | 7,00  | A        | smooth        | 0,05           | 72 NBR 902  | BAU      | 13255       | ○ |
| 40,00          | 52,00          | 7,00  | B        | metal         | 0,05           | 72 NBR 902  | B1USL    | 20306       | ● |
| 40,00          | 52,00          | 7,00  | A        | smooth        | 0,05           | 75 FKM 595  | BAUM     | 30678       | ○ |
| 40,00          | 52,00          | 7,00  | A        | smooth        | 0,05           | 75 FKM 595  | BAUM     | 310039      | ○ |
| 40,00          | 52,00          | 7,00  | AS       | smooth        | *              | 72 NBR 902  | BABSL    | 328911      | ● |
| 40,00          | 52,00          | 7,00  | B        | metal         | 0,02           | 72 NBR 902  | B1FUD    | 334276      | ● |
| 40,00          | 52,00          | 7,00  | BS       | metal         | 0,02           | 72 NBR 902  | B1FUDSL  | 355635      | ● |
| 40,00          | 52,00          | 7,00  | A        | grooved       | 0,02           | 72 NBR 902  | BAFUDX7  | 355639      | ● |
| 40,00          | 52,00          | 7,00  | A        | grooved       | 0,05           | 75 FKM 585  | BAUMX7   | 388077      | ● |
| 40,00          | 52,00          | 7,00  | A        | smooth        | 0,05           | 72 NBR 902  | BAUX2    | 49032729    | ● |
| 40,00          | 52,00          | 7,00  | AS       | grooved       | 0,05           | 75 FKM 585  | BAUMSLX7 | 521007      | ● |
| 40,00          | 52,00          | 7,00  | AS       | smooth        | 0,05           | 72 NBR 902  | BAUSLX2  | 525281      | ● |
| 40,00          | 52,00          | 7,00  | A        | smooth        | 0,05           | 72 NBR 902  | BAUX2    | 530339      | ○ |
| 40,00          | 52,00          | 7,00  | AS       | smooth        | 0,05           | 72 NBR 902  | BASL     | 8222        | ● |
| 40,00          | 52,00          | 8,00  | C        | metal         | up to 1 MPa    | PTFE F56101 | B2PT     | 406701      | ● |
| 40,00          | 52,00          | 8,00  | A        | smooth        | 0,05           | 72 NBR 902  | BA       | 8226        | ● |
| 40,00          | 52,00          | 12,00 | B        | metal         | 0,05           | 72 NBR 902  | B1       | 21706       | ● |
| 40,00          | 55,00          | 6,00  | AS       | smooth        | *              | 75 FKM 595  | BABSL    | 329337      | ○ |

● Available from stock ○ On request: Tool is available, delivery at short notice \* → Diagram 2, page 18

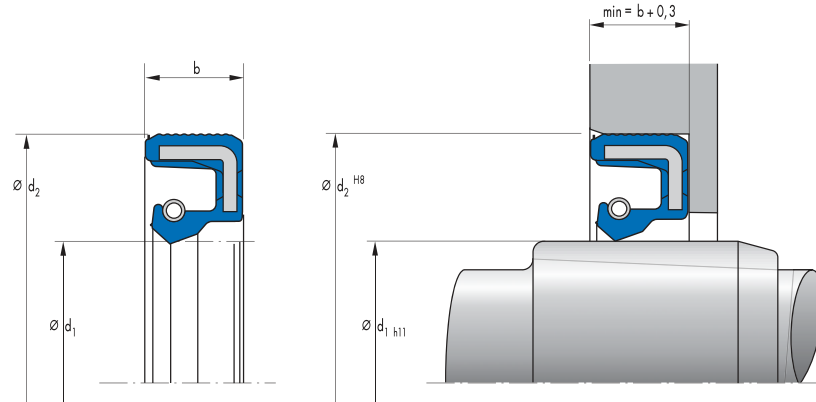


| d <sub>1</sub> | d <sub>2</sub> | b     | DIN 3761 | Outer surface | Pressure       | Material      | Type     | Article No. |   |
|----------------|----------------|-------|----------|---------------|----------------|---------------|----------|-------------|---|
| 40,00          | 55,00          | 6,00  | AS       | smooth        | *              | 72 NBR 902    | BABSL    | 383444      | ● |
| 40,00          | 55,00          | 6,00  | AS       | smooth        | *              | 75 FKM 595    | BABSL    | 479064      | ● |
| 40,00          | 55,00          | 6,00  | AS       | smooth        | *              | 72 NBR 902    | BABSL    | 49034624    | ● |
| 40,00          | 55,00          | 6,00  | AS       | smooth        | *              | 75 FKM 595    | BABSL    | 49035486    | ● |
| 40,00          | 55,00          | 7,00  | B        | metal         | 0,02           | 72 NBR 902    | B1FUD    | 334372      | ● |
| 40,00          | 55,00          | 7,00  | A        | grooved       | 0,05           | 75 FKM 585    | BAUMX7   | 388060      | ● |
| 40,00          | 55,00          | 7,00  | AS       | grooved       | 0,05           | 75 FKM 585    | BAUMSLX7 | 407135      | ● |
| 40,00          | 55,00          | 7,00  | A        | smooth        | 0,05           | 72 NBR 902    | BAUX2    | 478753      | ● |
| 40,00          | 55,00          | 7,00  | AS       | smooth        | 0,05           | 72 NBR 902    | BAUSLX2  | 524462      | ● |
| 40,00          | 55,00          | 7,00  | A        | grooved       | 0,05           | 75 FKM 585    | BAUMX7   | 528162      | ○ |
| 40,00          | 55,00          | 7,00  | A        | smooth        | 0,05           | 72 NBR 902    | BAUX2    | 529478      | ○ |
| 40,00          | 55,00          | 8,00  | B        | metal         | 0,05           | 72 NBR 902    | B1       | 19483       | ● |
| 40,00          | 55,00          | 8,00  | C        | metal         | up to 1 MPa    | PTFE F56101   | B2PT     | 406702      | ● |
| 40,00          | 55,00          | 8,00  | A        | grooved       | 0,02           | 72 NBR 902    | BAFUDX7  | 423373      | ● |
| 40,00          | 55,00          | 8,00  | AS       | smooth        | 0,05           | 72 NBR 902    | BAUSLX2  | 529404      | ● |
| 40,00          | 55,00          | 9,00  | B        | metal         | 0,05           | 72 NBR 902    | B1USL    | 126187      | ● |
| 40,00          | 55,00          | 9,00  | C        | metal         | 0,02           | 72 NBR 902    | B2FUD    | 334363      | ● |
| 40,00          | 55,00          | 10,00 | B        | metal         | 0,02           | 72 NBR 902    | B1FUD    | 334658      | ● |
| 40,00          | 55,00          | 10,00 | A        | smooth        | 0,05           | 72 NBR 902    | BAU      | 8234        | ● |
| 40,00          | 55,00          | 10,00 | AS       | smooth        | 0,05           | 72 NBR 902    | BASL     | 8235        | ● |
| 40,00          | 55,00          | 12,00 | C        | metal         | 0,02           | 72 NBR 902    | B2FUD    | 334687      | ● |
| 40,00          | 55,00          | 12,00 | A        | smooth        | 0,05           | 72 NBR 902    | BA       | 8239        | ● |
| 40,00          | 55,50          | 9,00  | B        | metal         | 0,05           | 72 NBR 902    | B1U      | 19484       | ● |
| 40,00          | 56,00          | 6,00  | AS       | smooth        | *              | 72 NBR 902    | BABSL    | 12001693    | ● |
| 40,00          | 56,00          | 8,00  | A        | smooth        | 0,02           | 72 NBR 902    | BAFUD    | 12010933    | ● |
| 40,00          | 56,00          | 8,00  | AS       | smooth        | 0,02           | 72 NBR 902    | BAFUDSL  | 12011577    | ● |
| 40,00          | 56,00          | 10,00 | B        | metal         | 0,05           | 72 NBR 902    | B1U      | 19790       | ● |
| 40,00          | 56,00          | 10,00 | C        | metal         | 0,05           | 72 NBR 902    | B2U      | 22725       | ● |
| 40,00          | 56,00          | 10,00 | A        | smooth        | 0,05           | 72 NBR 902    | BAU      | 8249        | ● |
| 40,00          | 56,00          | 12,00 | C        | metal         | 0,05           | 72 NBR 902    | B2U      | 22726       | ● |
| 40,00          | 57,00          | 4,50  | A        | metal         | un-pressurised | 80 NBR 177458 | MSC 01   | 508530      | ● |
| 40,00          | 57,00          | 4,50  | A        | metal         | un-pressurised | 80 FKM 177459 | MSC 01   | 508578      | ● |
| 40,00          | 58,00          | 6,50  | A        | metal         | un-pressurised | 80 FKM 177459 | MSC 02   | 508610      | ● |
| 40,00          | 58,00          | 6,50  | A        | metal         | un-pressurised | 80 NBR 177458 | MSC 02   | 508634      | ● |
| 40,00          | 58,00          | 8,00  | AS       | smooth        | *              | 72 NBR 902    | BABSL    | 411826      | ● |
| 40,00          | 58,00          | 9,00  | B        | metal         | 0,05           | 72 NBR 902    | B1U      | 19486       | ● |

● Available from stock    ○ On request: Tool is available, delivery at short notice    \* → Diagram 2, page 18

| d <sub>1</sub> | d <sub>2</sub> | b     | DIN 3761 | Outer surface | Pressure    | Material    | Type      | Article No. |   |
|----------------|----------------|-------|----------|---------------|-------------|-------------|-----------|-------------|---|
| 40,00          | 58,00          | 9,00  | B        | metal         | 0,05        | 72 NBR 902  | B1USL     | 20095       | ● |
| 40,00          | 58,00          | 9,00  | AS       | grooved       | 0,02        | 72 NBR 902  | BAFUDSLX7 | 355477      | ● |
| 40,00          | 58,00          | 9,00  | AS       | grooved       | 0,05        | 75 FKM 585  | BAUMSLX7  | 418363      | ● |
| 40,00          | 58,00          | 10,00 | C        | metal         | 0,05        | 72 NBR 902  | B2U       | 39660       | ● |
| 40,00          | 58,00          | 12,00 | A        | smooth        | 0,05        | 72 NBR 902  | BAU       | 8254        | ● |
| 40,00          | 60,00          | 8,00  | C        | metal         | up to 1 MPa | PTFE F56101 | B2PT      | 406713      | ● |
| 40,00          | 60,00          | 10,00 | C        | metal         | 0,05        | 72 NBR 902  | B2U       | 23019       | ● |
| 40,00          | 60,00          | 10,00 | CS       | metal         | 0,05        | 72 NBR 902  | B2SL      | 23632       | ● |
| 40,00          | 60,00          | 10,00 | B        | metal         | 0,05        | 72 NBR 902  | B1U       | 31466       | ● |
| 40,00          | 60,00          | 10,00 | A        | grooved       | 0,02        | 72 NBR 902  | BAFUDX7   | 334311      | ● |
| 40,00          | 60,00          | 10,00 | A        | grooved       | 0,05        | 75 FKM 585  | BAUMX7    | 402487      | ● |
| 40,00          | 60,00          | 10,00 | AS       | smooth        | 0,05        | 72 NBR 902  | BAUSLX2   | 49023925    | ● |
| 40,00          | 60,00          | 12,00 | A        | smooth        | 0,05        | 75 FKM 595  | BAUM      | 129960      | ○ |
| 40,00          | 60,00          | 12,00 | B        | metal         | 0,05        | 72 NBR 902  | B1        | 19792       | ● |
| 40,00          | 60,00          | 12,00 | C        | metal         | 0,05        | 72 NBR 902  | B2U       | 23020       | ● |
| 40,00          | 62,00          | 6,00  | AS       | smooth        | *           | 72 NBR 902  | BABSL     | 3018        | ● |
| 40,00          | 62,00          | 6,00  | AS       | smooth        | *           | 72 NBR 902  | BABSL     | 49001831    | ○ |
| 40,00          | 62,00          | 6,00  | AS       | smooth        | *           | 75 FKM 595  | BABSL     | 528295      | ● |
| 40,00          | 62,00          | 7,00  | B        | metal         | 0,02        | 72 NBR 902  | B1FUD     | 334383      | ● |
| 40,00          | 62,00          | 7,00  | A        | grooved       | 0,05        | 75 FKM 585  | BAUMX7    | 388076      | ● |
| 40,00          | 62,00          | 7,00  | AS       | grooved       | 0,05        | 75 FKM 585  | BAUMSLX7  | 410185      | ● |
| 40,00          | 62,00          | 7,00  | A        | smooth        | 0,05        | 72 NBR 902  | BAUX2     | 478752      | ● |
| 40,00          | 62,00          | 7,00  | AS       | smooth        | 0,05        | 72 NBR 902  | BAUSLX2   | 478770      | ● |
| 40,00          | 62,00          | 8,00  | C        | metal         | up to 1 MPa | PTFE F56101 | B2PT      | 406715      | ● |
| 40,00          | 62,00          | 8,00  | AS       | smooth        | 0,05        | 72 NBR 902  | BAUSLX2   | 477523      | ● |
| 40,00          | 62,00          | 9,00  | C        | metal         | 0,02        | 72 NBR 902  | B2FUD     | 334354      | ● |
| 40,00          | 62,00          | 9,00  | CS       | metal         | 0,05        | 72 NBR 902  | B2USL     | 34896       | ● |
| 40,00          | 62,00          | 10,00 | B        | metal         | 0,05        | 72 NBR 902  | B1USL     | 20142       | ● |
| 40,00          | 62,00          | 10,00 | B        | metal         | 0,02        | 72 NBR 902  | B1FUD     | 334385      | ● |
| 40,00          | 62,00          | 10,00 | C        | metal         | 0,02        | 72 NBR 902  | B2FUD     | 334684      | ● |
| 40,00          | 62,00          | 10,00 | AS       | smooth        | 0,05        | 72 NBR 902  | BAUSLX2   | 49023829    | ● |
| 40,00          | 62,00          | 10,00 | A        | smooth        | 0,05        | 72 NBR 902  | BAUX2     | 531174      | ● |
| 40,00          | 62,00          | 10,00 | A        | smooth        | 0,05        | 72 NBR 902  | BA        | 8279        | ● |
| 40,00          | 62,00          | 12,00 | BS       | metal         | 0,05        | 72 NBR 902  | B1SL      | 20143       | ● |
| 40,00          | 62,00          | 12,00 | B        | metal         | 0,02        | 72 NBR 902  | B1FUD     | 334669      | ● |
| 40,00          | 62,00          | 12,00 | C        | metal         | 0,02        | 72 NBR 902  | B2FUD     | 334670      | ● |
| 40,00          | 62,00          | 12,00 | A        | smooth        | 0,05        | 72 NBR 902  | BAU       | 8286        | ● |
| 40,00          | 63,50          | 9,50  | B        | metal         | 0,05        | 72 NBR 902  | B1U       | 19487       | ○ |
| 40,00          | 65,00          | 10,00 | B        | metal         | 0,05        | 72 NBR 902  | B1U       | 19795       | ● |
| 40,00          | 65,00          | 10,00 | C        | metal         | 0,05        | 72 NBR 902  | B2        | 23023       | ● |
| 40,00          | 65,00          | 10,00 | A        | grooved       | 0,02        | 72 NBR 902  | BAFUDX7   | 355482      | ● |
| 40,00          | 65,00          | 10,00 | AS       | smooth        | 0,05        | 72 NBR 902  | BASL      | 39765       | ● |
| 40,00          | 65,00          | 12,00 | B        | metal         | 0,05        | 72 NBR 902  | B1U       | 19796       | ● |
| 40,00          | 65,00          | 12,00 | C        | metal         | 0,05        | 72 NBR 902  | B2U       | 23024       | ● |
| 40,00          | 65,00          | 12,00 | CS       | metal         | 0,05        | 72 NBR 902  | B2USL     | 23446       | ● |
| 40,00          | 65,00          | 12,00 | A        | smooth        | 0,05        | 72 NBR 902  | BA        | 8298        | ● |
| 40,00          | 65,00          | 20,00 | A        | smooth        | 0,05        | 72 NBR 902  | BADUO     | 8300        | ○ |
| 40,00          | 67,00          | 7,00  | AS       | smooth        | *           | 75 FKM 595  | BABSL     | 526418      | ○ |
| 40,00          | 68,00          | 6,00  | AS       | smooth        | 0,05        | 72 NBR 902  | BAUSLX2   | 529094      | ● |
| 40,00          | 68,00          | 6,00  | AS       | smooth        | 0,05        | 75 FKM 585  | BAUMSL    | 529095      | ● |

● Available from stock    ○ On request: Tool is available, delivery at short notice    \* → Diagram 2, page 18

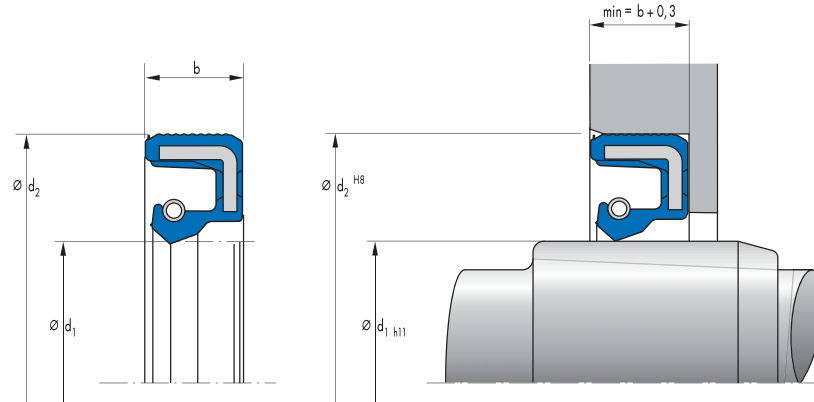


| $d_1$ | $d_2$ | b     | DIN 3761 | Outer surface | Pressure | Material   | Type     | Article No. |   |
|-------|-------|-------|----------|---------------|----------|------------|----------|-------------|---|
| 40,00 | 68,00 | 7,00  | B        | metal         | 0,05     | 72 NBR 902 | B1U      | 21687       | ● |
| 40,00 | 68,00 | 7,00  | B        | metal         | 0,05     | 72 NBR 902 | B1U      | 49043563    | ● |
| 40,00 | 68,00 | 8,00  | AS       | grooved       | 0,05     | 75 FKM 585 | BAUMSLX7 | 477665      | ● |
| 40,00 | 68,00 | 8,00  | AS       | smooth        | 0,05     | 72 NBR 902 | BAUSLX2  | 49001661    | ● |
| 40,00 | 68,00 | 8,00  | A        | smooth        | 0,05     | 72 NBR 902 | BAUX2    | 49001672    | ● |
| 40,00 | 68,00 | 8,00  | A        | grooved       | 0,05     | 75 FKM 585 | BAUMX7   | 49012132    | ● |
| 40,00 | 68,00 | 8,00  | AS       | smooth        | 0,05     | 72 NBR 902 | BAUSLX2  | 49029022    | ● |
| 40,00 | 68,00 | 10,00 | A        | smooth        | 0,05     | 72 NBR 902 | BAUX2    | 524498      | ● |
| 40,00 | 68,00 | 10,00 | -        | smooth        | 0,05     | 72 NBR 902 | MSS 1    | 49028784    | ● |
| 40,00 | 68,00 | 12,00 | B        | metal         | 0,05     | 72 NBR 902 | B1       | 19797       | ● |
| 40,00 | 68,00 | 12,00 | C        | metal         | 0,05     | 72 NBR 902 | B2       | 23025       | ● |
| 40,00 | 70,00 | 8,00  | A        | smooth        | 0,05     | 72 NBR 902 | BA       | 8304        | ● |
| 40,00 | 70,00 | 10,00 | A        | smooth        | 0,05     | 72 NBR 902 | BA       | 8307        | ● |
| 40,00 | 70,00 | 12,00 | C        | metal         | 0,05     | 72 NBR 902 | B2       | 23026       | ● |
| 40,00 | 72,00 | 7,00  | B        | metal         | 0,05     | 72 NBR 902 | B1       | 2567        | ● |
| 40,00 | 72,00 | 7,00  | A        | grooved       | 0,05     | 75 FKM 585 | BAUMX7   | 400807      | ● |
| 40,00 | 72,00 | 7,00  | AS       | smooth        | 0,05     | 72 NBR 902 | BAUSLX2  | 478772      | ● |
| 40,00 | 72,00 | 7,00  | A        | smooth        | 0,02     | 72 NBR 902 | BAFUD    | 49001652    | ● |
| 40,00 | 72,00 | 7,00  | A        | smooth        | 0,05     | 72 NBR 902 | BAUX2    | 49037526    | ● |
| 40,00 | 72,00 | 9,00  | C        | metal         | 0,05     | 72 NBR 902 | B2       | 9548        | ● |
| 40,00 | 72,00 | 10,00 | C        | metal         | 0,05     | 72 NBR 902 | B2U      | 23027       | ● |
| 40,00 | 72,00 | 10,00 | AS       | smooth        | 0,05     | 72 NBR 902 | BAUSLX2  | 477144      | ● |
| 40,00 | 72,00 | 10,00 | AS       | smooth        | 0,05     | 75 FKM 585 | BAUMSL   | 477147      | ● |
| 40,00 | 72,00 | 10,00 | A        | smooth        | 0,05     | 72 NBR 902 | BA       | 8310        | ● |
| 40,00 | 72,00 | 12,00 | B        | metal         | 0,05     | 72 NBR 902 | B1       | 19801       | ● |
| 40,00 | 72,00 | 12,00 | C        | metal         | 0,05     | 72 NBR 902 | B2U      | 23028       | ● |
| 40,00 | 72,00 | 12,00 | A        | smooth        | 0,05     | 72 NBR 902 | BAU      | 8312        | ● |
| 40,00 | 80,00 | 7,00  | AS       | smooth        | 0,05     | 72 NBR 902 | BAUSLX2  | 49004252    | ● |
| 40,00 | 80,00 | 7,00  | AS       | smooth        | 0,05     | 75 FKM 585 | BAUMSL   | 49011968    | ● |
| 40,00 | 80,00 | 10,00 | A        | grooved       | 0,02     | 72 NBR 902 | BAFUDX7  | 355479      | ● |
| 40,00 | 80,00 | 10,00 | AS       | smooth        | 0,05     | 75 FKM 585 | BAUMSL   | 455618      | ● |
| 40,00 | 80,00 | 10,00 | AS       | smooth        | 0,05     | 72 NBR 902 | BAUSLX2  | 455619      | ● |
| 40,00 | 80,00 | 10,00 | A        | smooth        | 0,05     | 72 NBR 902 | BAUX2    | 49037525    | ● |
| 40,00 | 80,00 | 10,00 | -        | smooth        | 0,05     | 72 NBR 902 | MSS 1    | 525350      | ● |
| 40,00 | 80,00 | 12,00 | AS       | smooth        | 0,02     | 72 NBR 902 | BAFUDSL  | 12011162    | ● |
| 40,00 | 80,00 | 13,00 | C        | metal         | 0,05     | 72 NBR 902 | B2U      | 23030       | ● |

● Available from stock ○ On request: Tool is available, delivery at short notice \* → Diagram 2, page 18

| d <sub>1</sub> | d <sub>2</sub> | b     | DIN 3761 | Outer surface | Pressure       | Material      | Type      | Article No. |   |
|----------------|----------------|-------|----------|---------------|----------------|---------------|-----------|-------------|---|
| 40,00          | 80,00          | 13,00 | A        | smooth        | 0,05           | 72 NBR 902    | BA        | 8318        | ○ |
| 40,00          | 85,00          | 10,00 | A        | grooved       | 0,05           | 75 FKM 585    | BAUMX7    | 474893      | ● |
| 40,00          | 85,00          | 10,00 | A        | smooth        | 0,05           | 72 NBR 902    | BAUX2     | 523393      | ● |
| 40,00          | 85,00          | 10,00 | AS       | smooth        | 0,05           | 72 NBR 902    | BAUSLX2   | 523394      | ● |
| 40,00          | 90,00          | 8,00  | AS       | smooth        | 0,02           | 72 NBR 902    | BAFUDSL   | 12012533    | ● |
| 40,00          | 90,00          | 10,00 | A        | grooved       | 0,02           | 72 NBR 902    | BAFUDX7   | 407521      | ● |
| 40,00          | 90,00          | 10,00 | A        | smooth        | 0,05           | 72 NBR 902    | BAUX2     | 49037527    | ● |
| 40,00          | 90,00          | 10,00 | AS       | smooth        | 0,05           | 75 FKM 585    | BAUMSL    | 520956      | ● |
| 40,00          | 90,00          | 10,00 | AS       | smooth        | 0,05           | 72 NBR 902    | BAUSLX2   | 520957      | ● |
| 40,00          | 90,00          | 12,00 | AS       | grooved       | 0,02           | 72 NBR 902    | BAFUDSLX7 | 407522      | ● |
| 41,00          | 56,00          | 10,00 | A        | smooth        | 0,05           | 72 NBR 902    | BA        | 153820      | ● |
| 41,00          | 57,00          | 4,50  | A        | metal         | un-pressurised | 80 NBR 177458 | MSC 01    | 508531      | ● |
| 41,00          | 57,00          | 4,50  | A        | metal         | un-pressurised | 80 FKM 177459 | MSC 01    | 508579      | ● |
| 41,00          | 62,00          | 10,00 | C        | metal         | 0,05           | 72 NBR 902    | B2U       | 23031       | ● |
| 42,00          | 55,00          | 7,00  | B        | metal         | 0,05           | 72 NBR 902    | B1U       | 19491       | ● |
| 42,00          | 55,00          | 7,00  | A        | smooth        | 0,05           | 72 NBR 902    | BAUX2     | 49031451    | ● |
| 42,00          | 55,00          | 7,00  | A        | smooth        | 0,05           | 72 NBR 902    | BAU       | 8342        | ● |
| 42,00          | 55,00          | 8,00  | B        | metal         | 0,05           | 72 NBR 902    | B1U       | 13997       | ● |
| 42,00          | 55,00          | 8,00  | AS       | grooved       | 0,05           | 75 FKM 585    | BAUMSLX7  | 404322      | ● |
| 42,00          | 55,00          | 8,00  | C        | metal         | up to 1 MPa    | PTFE F56101   | B2PT      | 406716      | ● |
| 42,00          | 55,00          | 8,00  | AS       | grooved       | 0,02           | 72 NBR 902    | BAFUDSLX7 | 407523      | ● |
| 42,00          | 55,00          | 8,00  | A        | smooth        | 0,05           | 72 NBR 902    | BAUX2     | 530818      | ● |
| 42,00          | 55,00          | 10,00 | BS       | metal         | 0,05           | 72 NBR 902    | B1SL      | 29870       | ● |
| 42,00          | 56,00          | 7,00  | A        | smooth        | 0,05           | 72 NBR 902    | BAUSL     | 121799      | ● |
| 42,00          | 56,00          | 7,00  | A        | grooved       | 0,02           | 72 NBR 902    | BAFUDX7   | 334313      | ● |
| 42,00          | 56,00          | 7,00  | A        | smooth        | 0,05           | 72 NBR 902    | BAU       | 523558      | ● |
| 42,00          | 56,00          | 7,00  | B        | metal         | 0,05           | 72 NBR 902    | B1        | 7994        | ● |
| 42,00          | 58,00          | 9,00  | B        | metal         | 0,05           | 72 NBR 902    | B1        | 19494       | ● |
| 42,00          | 59,00          | 4,50  | A        | metal         | un-pressurised | 80 NBR 177458 | MSC 01    | 508532      | ● |
| 42,00          | 59,00          | 4,50  | A        | metal         | un-pressurised | 80 FKM 177459 | MSC 01    | 508580      | ● |
| 42,00          | 60,00          | 10,00 | B        | metal         | 0,05           | 72 NBR 902    | B1U       | 19804       | ● |
| 42,00          | 60,00          | 10,00 | C        | metal         | 0,05           | 72 NBR 902    | B2U       | 22728       | ● |
| 42,00          | 60,00          | 10,00 | A        | smooth        | 0,05           | 72 NBR 902    | BA        | 8356        | ● |
| 42,00          | 60,00          | 12,00 | C        | metal         | 0,05           | 72 NBR 902    | B2U       | 23034       | ● |
| 42,00          | 62,00          | 7,00  | B        | metal         | 0,05           | 72 NBR 902    | B1U       | 19495       | ● |
| 42,00          | 62,00          | 7,00  | AS       | smooth        | *              | 75 FKM 585    | BABSL     | 348515      | ● |
| 42,00          | 62,00          | 7,00  | AS       | smooth        | *              | 72 NBR 902    | BABSL     | 383616      | ● |
| 42,00          | 62,00          | 7,00  | BS       | metal         | 0,05           | 72 NBR 902    | B1SL      | 4004        | ● |
| 42,00          | 62,00          | 8,00  | AS       | smooth        | 0,02           | 72 NBR 902    | BAFUDSL   | 12011163    | ● |
| 42,00          | 62,00          | 8,00  | B        | metal         | 0,05           | 72 NBR 902    | B1U       | 14004       | ● |
| 42,00          | 62,00          | 8,00  | A        | grooved       | 0,05           | 75 FKM 585    | BAUMX7    | 388822      | ● |
| 42,00          | 62,00          | 8,00  | C        | metal         | up to 1 MPa    | PTFE F56101   | B2PT      | 415465      | ○ |
| 42,00          | 62,00          | 8,00  | B        | metal         | 0,05           | 72 NBR 902    | B1U       | 427798      | ○ |
| 42,00          | 62,00          | 8,00  | A        | smooth        | 0,05           | 72 NBR 902    | BAUX2     | 478766      | ● |
| 42,00          | 62,00          | 8,00  | AS       | grooved       | 0,05           | 75 FKM 585    | BAUMSLX7  | 524291      | ● |
| 42,00          | 62,00          | 10,00 | B        | metal         | 0,05           | 72 NBR 902    | B1U       | 19806       | ● |
| 42,00          | 62,00          | 10,00 | CS       | metal         | 0,05           | 72 NBR 902    | B2USL     | 20700       | ● |
| 42,00          | 62,00          | 10,00 | C        | metal         | 0,05           | 72 NBR 902    | B2U       | 22729       | ● |
| 42,00          | 62,00          | 10,00 | A        | smooth        | 0,05           | 72 NBR 902    | BAU       | 8363        | ● |
| 42,00          | 62,00          | 12,00 | B        | metal         | 0,05           | 72 NBR 902    | B1U       | 19807       | ● |

● Available from stock ○ On request: Tool is available, delivery at short notice \* → Diagram 2, page 18

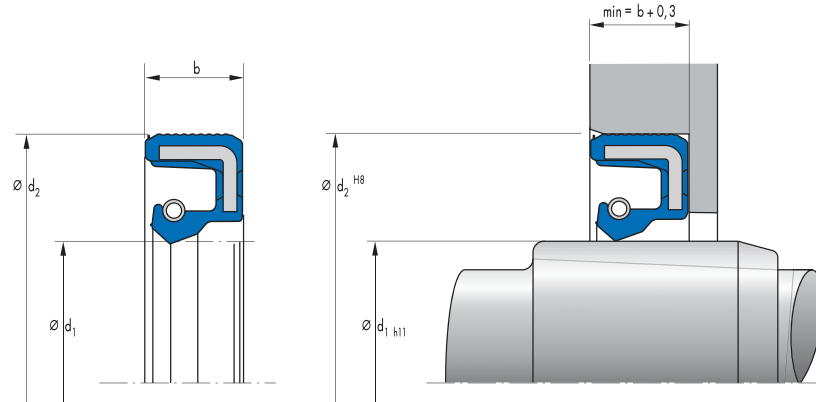


| d <sub>1</sub> | d <sub>2</sub> | b     | DIN 3761 | Outer surface | Pressure       | Material   | Type      | Article No. |   |
|----------------|----------------|-------|----------|---------------|----------------|------------|-----------|-------------|---|
| 42,00          | 62,00          | 12,00 | C        | metal         | 0,05           | 72 NBR 902 | B2U       | 23035       | ● |
| 42,00          | 62,00          | 12,00 | B        | metal         | 0,05           | 72 NBR 902 | B1USL     | 31467       | ● |
| 42,00          | 62,00          | 12,00 | A        | smooth        | 0,05           | 72 NBR 902 | BA        | 8367        | ● |
| 42,00          | 65,00          | 10,00 | B        | metal         | 0,05           | 72 NBR 902 | B1U       | 19810       | ● |
| 42,00          | 65,00          | 10,00 | C        | metal         | 0,05           | 72 NBR 902 | B2U       | 23036       | ● |
| 42,00          | 65,00          | 10,00 | A        | grooved       | 0,05           | 75 FKM 585 | BAUMX7    | 389459      | ● |
| 42,00          | 65,00          | 10,00 | AS       | grooved       | 0,02           | 72 NBR 902 | BAFUDSLX7 | 466342      | ● |
| 42,00          | 65,00          | 10,00 | A        | smooth        | 0,05           | 72 NBR 902 | BA        | 8373        | ● |
| 42,00          | 65,00          | 12,00 | B        | metal         | 0,05           | 72 NBR 902 | B1U       | 19811       | ● |
| 42,00          | 65,00          | 12,00 | C        | metal         | 0,05           | 72 NBR 902 | B2U       | 23037       | ● |
| 42,00          | 66,00          | 13,00 | C        | metal         | 0,05           | 72 NBR 902 | B2        | 23038       | ● |
| 42,00          | 68,00          | 8,00  | A        | grooved       | 0,05           | 75 FKM 585 | BAUMX7    | 407044      | ● |
| 42,00          | 68,00          | 10,00 | C        | metal         | 0,05           | 72 NBR 902 | B2U       | 49011583    | ● |
| 42,00          | 70,00          | 12,00 | C        | metal         | 0,05           | 72 NBR 902 | B2        | 23039       | ● |
| 42,00          | 72,00          | 8,00  | B        | metal         | 0,02           | 72 NBR 902 | B1FUD     | 334958      | ● |
| 42,00          | 72,00          | 8,00  | A        | grooved       | 0,05           | 75 FKM 585 | BAUMX7    | 411519      | ● |
| 42,00          | 72,00          | 8,00  | AS       | smooth        | 0,05           | 72 NBR 902 | BAUSLX2   | 475175      | ● |
| 42,00          | 72,00          | 8,00  | AS       | grooved       | 0,05           | 75 FKM 585 | BAUMSLX7  | 477669      | ● |
| 42,00          | 72,00          | 8,00  | A        | smooth        | 0,05           | 72 NBR 902 | BAUX2     | 49001667    | ● |
| 42,00          | 72,00          | 10,00 | C        | metal         | 0,02           | 72 NBR 902 | B2FUD     | 334925      | ● |
| 42,00          | 72,00          | 10,00 | AS       | grooved       | 0,05           | 72 NBR 902 | BAUSLX27  | 450733      | ● |
| 42,00          | 72,00          | 10,00 | A        | smooth        | 0,05           | 72 NBR 902 | BAU       | 8381        | ● |
| 42,00          | 72,00          | 12,00 | C        | metal         | 0,02           | 72 NBR 902 | B2FUD     | 334926      | ● |
| 42,00          | 72,00          | 12,00 | B        | metal         | 0,02           | 72 NBR 902 | B1FUD     | 334959      | ● |
| 42,00          | 80,00          | 13,00 | C        | metal         | 0,05           | 72 NBR 902 | B2        | 23041       | ● |
| 42,86          | 59,13          | 12,70 | B        | metal         | un-pressurised | 72 NBR 902 | B1FOF     | 399289      | ○ |
| 43,00          | 58,00          | 7,50  | B        | metal         | 0,05           | 72 NBR 902 | B1U       | 21189       | ● |
| 43,00          | 58,00          | 7,50  | B        | metal         | 0,05           | 72 NBR 902 | B1U       | 426412      | ○ |
| 43,00          | 60,00          | 10,00 | C        | metal         | 0,05           | 72 NBR 902 | B2        | 22732       | ● |
| 43,00          | 60,00          | 10,00 | A        | smooth        | 0,05           | 72 NBR 902 | BA        | 8393        | ● |
| 43,00          | 62,00          | 10,00 | C        | metal         | 0,05           | 72 NBR 902 | B2U       | 22733       | ● |
| 43,00          | 63,50          | 9,50  | B        | metal         | 0,05           | 72 NBR 902 | B1U       | 19500       | ● |
| 43,00          | 72,00          | 10,00 | C        | metal         | 0,05           | 72 NBR 902 | B2        | 22734       | ● |
| 44,00          | 58,40          | 10,00 | A        | smooth        | 0,05           | 72 NBR 902 | BAU       | 347394      | ● |
| 44,00          | 60,00          | 10,00 | C        | metal         | 0,05           | 72 NBR 902 | B2U       | 22735       | ● |
| 44,00          | 60,00          | 10,00 | A        | smooth        | 0,05           | 72 NBR 902 | BAU       | 8406        | ● |

● Available from stock    ○ On request: Tool is available, delivery at short notice    \* → Diagram 2, page 18

| d <sub>1</sub> | d <sub>2</sub> | b     | DIN 3761 | Outer surface | Pressure       | Material      | Type     | Article No. |   |
|----------------|----------------|-------|----------|---------------|----------------|---------------|----------|-------------|---|
| 44,00          | 62,00          | 10,00 | C        | metal         | 0,05           | 72 NBR 902    | B2U      | 23043       | ● |
| 44,00          | 62,00          | 10,00 | A        | smooth        | 0,05           | 72 NBR 902    | BA       | 8408        | ● |
| 44,00          | 62,00          | 12,00 | C        | metal         | 0,05           | 72 NBR 902    | B2U      | 23044       | ● |
| 44,00          | 65,00          | 8,00  | A        | grooved       | 0,05           | 75 FKM 585    | BAUMX7   | 411520      | ● |
| 44,00          | 65,00          | 10,00 | B        | metal         | 0,05           | 72 NBR 902    | B1       | 19815       | ● |
| 44,00          | 65,00          | 10,00 | C        | metal         | 0,05           | 72 NBR 902    | B2U      | 22736       | ● |
| 44,00          | 65,00          | 10,00 | A        | smooth        | 0,05           | 72 NBR 902    | BA       | 8414        | ● |
| 44,00          | 70,00          | 12,00 | C        | metal         | 0,05           | 72 NBR 902    | B2U      | 23046       | ● |
| 44,00          | 72,00          | 10,00 | A        | smooth        | 0,05           | 72 NBR 902    | BA       | 8420        | ● |
| 44,00          | 72,00          | 12,00 | C        | metal         | 0,05           | 72 NBR 902    | B2       | 23047       | ● |
| 44,00          | 80,00          | 13,00 | A        | smooth        | 0,05           | 72 NBR 902    | BAU      | 146270      | ● |
| 44,45          | 63,50          | 7,94  | B        | metal         | 0,05           | 72 NBR 902    | B1U      | 3520        | ● |
| 45,00          | 52,00          | 4,00  | B        | metal         | un-pressurised | 72 NBR 902    | B1OF     | 377784      | ● |
| 45,00          | 55,00          | 7,00  | B        | metal         | 0,02           | 72 NBR 902    | B1FUD    | 334386      | ● |
| 45,00          | 55,00          | 7,00  | A        | grooved       | 0,05           | 72 NBR 902    | BAUX27   | 453162      | ● |
| 45,00          | 55,00          | 7,00  | A        | smooth        | 0,05           | 72 NBR 902    | BAUX2    | 49022656    | ● |
| 45,00          | 55,00          | 7,00  | AS       | grooved       | 0,05           | 72 NBR 902    | BAUSLX27 | 533201      | ● |
| 45,00          | 58,00          | 7,00  | AS       | smooth        | 0,02           | 72 NBR 902    | BAFUDSL  | 12013433    | ● |
| 45,00          | 58,00          | 7,00  | AS       | smooth        | *              | 72 NBR 902    | BABSL    | 366368      | ● |
| 45,00          | 58,00          | 7,00  | A        | smooth        | 0,05           | 72 NBR 902    | BA       | 8442        | ● |
| 45,00          | 60,00          | 6,00  | B        | metal         | 0,05           | 72 NBR 902    | B1USL    | 102203      | ○ |
| 45,00          | 60,00          | 7,00  | A        | smooth        | 0,05           | 75 FKM 595    | BAUM     | 121905      | ○ |
| 45,00          | 60,00          | 7,00  | A        | grooved       | 0,02           | 72 NBR 902    | BAFUDX7  | 334830      | ○ |
| 45,00          | 60,00          | 7,00  | B        | metal         | 0,02           | 72 NBR 902    | B1FUD    | 335101      | ● |
| 45,00          | 60,00          | 7,00  | BS       | metal         | 0,02           | 72 NBR 902    | B1FUDSL  | 335102      | ● |
| 45,00          | 60,00          | 7,00  | AS       | smooth        | 0,05           | 72 NBR 902    | BAUSLX2  | 478771      | ● |
| 45,00          | 60,00          | 7,00  | A        | grooved       | 0,02           | 72 NBR 902    | BAFUDX7  | 532621      | ● |
| 45,00          | 60,00          | 7,00  | A        | smooth        | 0,05           | 72 NBR 902    | BA       | 8447        | ● |
| 45,00          | 60,00          | 8,00  | AS       | smooth        | 0,02           | 72 NBR 902    | BAFUDSL  | 12011165    | ● |
| 45,00          | 60,00          | 8,00  | CS       | metal         | 0,05           | 72 NBR 902    | B2USL    | 23427       | ● |
| 45,00          | 60,00          | 8,00  | B        | metal         | 0,02           | 72 NBR 902    | B1FUD    | 334384      | ● |
| 45,00          | 60,00          | 8,00  | A        | grooved       | 0,05           | 75 FKM 585    | BAUMX7   | 397330      | ● |
| 45,00          | 60,00          | 8,00  | C        | metal         | up to 1 MPa    | PTFE F56101   | B2PT     | 406717      | ● |
| 45,00          | 60,00          | 8,00  | AS       | grooved       | 0,05           | 75 FKM 585    | BAUMSLX7 | 407136      | ● |
| 45,00          | 60,00          | 8,00  | A        | smooth        | 0,05           | 72 NBR 902    | BAUX2    | 524652      | ● |
| 45,00          | 60,00          | 10,00 | B        | metal         | 0,05           | 72 NBR 902    | B1U      | 19821       | ○ |
| 45,00          | 60,00          | 10,00 | B        | metal         | 0,02           | 72 NBR 902    | B1FUD    | 334679      | ● |
| 45,00          | 60,00          | 10,00 | C        | metal         | 0,02           | 72 NBR 902    | B2FUD    | 334682      | ● |
| 45,00          | 60,00          | 10,00 | A        | smooth        | 0,05           | 72 NBR 902    | BAU      | 8454        | ● |
| 45,00          | 60,00          | 12,00 | C        | metal         | 0,02           | 72 NBR 902    | B2FUD    | 334681      | ● |
| 45,00          | 62,00          | 4,50  | A        | metal         | un-pressurised | 80 NBR 177458 | MSC 01   | 508533      | ● |
| 45,00          | 62,00          | 4,50  | A        | metal         | un-pressurised | 80 FKM 177459 | MSC 01   | 508581      | ● |
| 45,00          | 62,00          | 7,00  | B        | metal         | 0,05           | 72 NBR 902    | B1       | 19504       | ● |
| 45,00          | 62,00          | 7,00  | A        | grooved       | 0,02           | 72 NBR 902    | BAFUDX7  | 334314      | ● |
| 45,00          | 62,00          | 7,00  | AS       | smooth        | *              | 72 NBR 902    | BABSL    | 348882      | ● |
| 45,00          | 62,00          | 7,00  | AS       | smooth        | *              | 75 FKM 595    | BABSL    | 418708      | ● |
| 45,00          | 62,00          | 7,00  | A        | smooth        | 0,05           | 72 NBR 902    | BAUX2    | 49028673    | ● |
| 45,00          | 62,00          | 7,00  | A        | grooved       | 0,05           | 75 FKM 585    | BAUMX7   | 522386      | ● |
| 45,00          | 62,00          | 7,50  | AS       | smooth        | 0,05           | 72 NBR 902    | BASL     | 8461        | ● |
| 45,00          | 62,00          | 8,00  | B        | metal         | 0,05           | 72 NBR 902    | B1U      | 2499        | ● |

● Available from stock    ○ On request: Tool is available, delivery at short notice    \* → Diagram 2, page 18

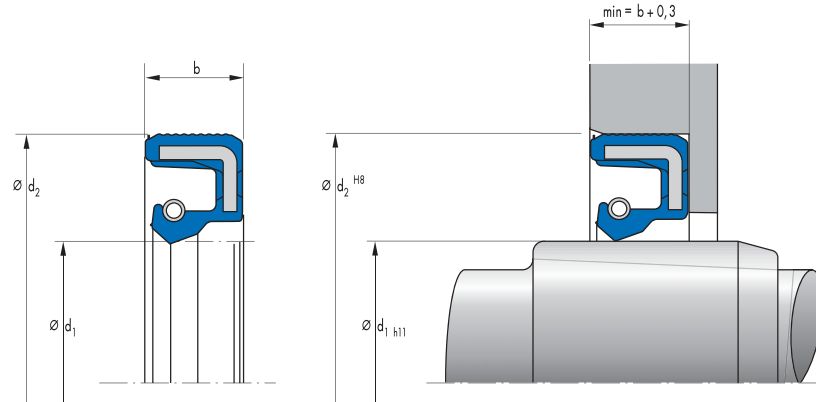


| d <sub>1</sub> | d <sub>2</sub> | b     | DIN 3761 | Outer surface | Pressure       | Material      | Type      | Article No. |   |
|----------------|----------------|-------|----------|---------------|----------------|---------------|-----------|-------------|---|
| 45,00          | 62,00          | 8,00  | A        | grooved       | 0,05           | 75 FKM 585    | BAUMX7    | 388081      | ● |
| 45,00          | 62,00          | 8,00  | C        | metal         | up to 1 MPa    | PTFE F56101   | B2PT      | 406789      | ● |
| 45,00          | 62,00          | 8,00  | B        | metal         | 0,05           | 72 NBR 902    | B1USL     | 523595      | ● |
| 45,00          | 62,00          | 8,00  | A        | smooth        | 0,05           | 72 NBR 902    | BAUX2     | 526947      | ● |
| 45,00          | 62,00          | 8,00  | AS       | smooth        | 0,05           | 72 NBR 902    | BAUSLX2   | 529403      | ● |
| 45,00          | 62,00          | 8,00  | C        | metal         | up to 1 MPa    | PTFE F56101   | B2PT      | 529449      | ○ |
| 45,00          | 62,00          | 10,00 | B        | metal         | 0,05           | 72 NBR 902    | B1U       | 19822       | ● |
| 45,00          | 62,00          | 10,00 | C        | metal         | 0,05           | 72 NBR 902    | B2U       | 23048       | ● |
| 45,00          | 62,00          | 10,00 | A        | grooved       | 0,02           | 72 NBR 902    | BAFUDX7   | 334295      | ● |
| 45,00          | 62,00          | 10,00 | CS       | metal         | 0,05           | 72 NBR 902    | B2USL     | 34897       | ● |
| 45,00          | 62,00          | 10,00 | A        | smooth        | 0,05           | 72 NBR 902    | BAUSL     | 8479        | ● |
| 45,00          | 62,00          | 12,00 | B        | metal         | 0,05           | 72 NBR 902    | B1U       | 19823       | ● |
| 45,00          | 62,00          | 12,00 | C        | metal         | 0,05           | 72 NBR 902    | B2U       | 23049       | ● |
| 45,00          | 62,00          | 12,00 | CS       | metal         | 0,02           | 72 NBR 902    | B2FUDSL   | 334351      | ● |
| 45,00          | 62,00          | 12,00 | A        | smooth        | 0,05           | 72 NBR 902    | BA        | 8483        | ● |
| 45,00          | 62,00          | 14,00 | A        | smooth        | 0,05           | 72 NBR 902    | BADUO     | 32896       | ○ |
| 45,00          | 63,00          | 6,50  | A        | metal         | un-pressurised | 80 FKM 177459 | MSC 02    | 508611      | ● |
| 45,00          | 63,00          | 6,50  | A        | metal         | un-pressurised | 80 NBR 177458 | MSC 02    | 508635      | ● |
| 45,00          | 65,00          | 7,00  | AS       | smooth        | *              | 75 FKM 595    | BABSL     | 125117      | ● |
| 45,00          | 65,00          | 7,00  | AS       | smooth        | *              | 75 FKM 595    | BABSL     | 49035662    | ● |
| 45,00          | 65,00          | 7,00  | AS       | smooth        | *              | 72 NBR 902    | BABSL     | 526240      | ● |
| 45,00          | 65,00          | 8,00  | AS       | smooth        | *              | 72 NBR 902    | BABSL     | 12011524    | ● |
| 45,00          | 65,00          | 8,00  | B        | metal         | 0,02           | 72 NBR 902    | B1FUD     | 334645      | ● |
| 45,00          | 65,00          | 8,00  | A        | grooved       | 0,05           | 75 FKM 585    | BAUMX7    | 398036      | ● |
| 45,00          | 65,00          | 8,00  | C        | metal         | up to 1 MPa    | PTFE F56101   | B2PT      | 406792      | ● |
| 45,00          | 65,00          | 8,00  | A        | smooth        | 0,05           | 72 NBR 902    | BAUX2     | 49037529    | ● |
| 45,00          | 65,00          | 8,00  | A        | smooth        | 0,02           | 72 NBR 902    | BAFUD     | 532622      | ● |
| 45,00          | 65,00          | 10,00 | BS       | metal         | 0,02           | 72 NBR 902    | B1FUDSL   | 334275      | ● |
| 45,00          | 65,00          | 10,00 | AS       | grooved       | 0,02           | 72 NBR 902    | BAFUDSLX7 | 334298      | ● |
| 45,00          | 65,00          | 10,00 | C        | metal         | 0,02           | 72 NBR 902    | B2FUD     | 334357      | ● |
| 45,00          | 65,00          | 10,00 | B        | metal         | 0,02           | 72 NBR 902    | B1FUD     | 334644      | ● |
| 45,00          | 65,00          | 10,00 | A        | grooved       | 0,02           | 72 NBR 902    | BAFUDX7   | 355409      | ● |
| 45,00          | 65,00          | 10,00 | A        | smooth        | 0,05           | 72 NBR 902    | BAU       | 366521      | ○ |
| 45,00          | 65,00          | 10,00 | AS       | grooved       | 0,02           | 72 NBR 902    | BAFUDSLX7 | 394402      | ○ |
| 45,00          | 65,00          | 10,00 | AS       | grooved       | 0,05           | 75 FKM 585    | BAUMSLX7  | 405454      | ● |
| 45,00          | 65,00          | 12,00 | C        | metal         | 0,02           | 72 NBR 902    | B2FUD     | 334366      | ● |

● Available from stock    ○ On request: Tool is available, delivery at short notice    \* → Diagram 2, page 18

| d <sub>1</sub> | d <sub>2</sub> | b     | DIN 3761 | Outer surface | Pressure | Material   | Type     | Article No. |   |
|----------------|----------------|-------|----------|---------------|----------|------------|----------|-------------|---|
| 45,00          | 65,00          | 12,00 | B        | metal         | 0,02     | 72 NBR 902 | B1FUD    | 334646      | ● |
| 45,00          | 66,00          | 6,00  | A        | smooth        | 0,05     | 72 NBR 902 | BA       | 31719       | ● |
| 45,00          | 66,00          | 6,00  | A        | smooth        | 0,05     | 72 NBR 902 | BA       | 49019342    | ● |
| 45,00          | 68,00          | 10,00 | C        | metal         | 0,05     | 72 NBR 902 | B2       | 25586       | ● |
| 45,00          | 68,00          | 10,00 | A        | grooved       | 0,02     | 72 NBR 902 | BAFUDX7  | 355488      | ● |
| 45,00          | 68,00          | 10,00 | A        | grooved       | 0,05     | 75 FKM 585 | BAUMX7   | 472400      | ● |
| 45,00          | 68,00          | 12,00 | C        | metal         | 0,05     | 72 NBR 902 | B2       | 23053       | ● |
| 45,00          | 70,00          | 10,00 | A        | smooth        | 0,02     | 72 NBR 902 | BAFUD    | 12010957    | ● |
| 45,00          | 70,00          | 10,00 | C        | metal         | 0,05     | 72 NBR 902 | B2U      | 23591       | ● |
| 45,00          | 70,00          | 12,00 | B        | metal         | 0,05     | 72 NBR 902 | B1U      | 19827       | ● |
| 45,00          | 70,00          | 12,00 | C        | metal         | 0,05     | 72 NBR 902 | B2       | 23054       | ● |
| 45,00          | 72,00          | 7,00  | B        | metal         | 0,05     | 72 NBR 902 | B1U      | 19505       | ● |
| 45,00          | 72,00          | 8,00  | A        | grooved       | 0,02     | 72 NBR 902 | BAFUDX7  | 334282      | ● |
| 45,00          | 72,00          | 8,00  | B        | metal         | 0,02     | 72 NBR 902 | B1FUD    | 334961      | ● |
| 45,00          | 72,00          | 8,00  | A        | grooved       | 0,05     | 75 FKM 585 | BAUMX7   | 388865      | ● |
| 45,00          | 72,00          | 8,00  | AS       | grooved       | 0,05     | 75 FKM 585 | BAUMSLX7 | 431911      | ● |
| 45,00          | 72,00          | 8,00  | AS       | smooth        | 0,05     | 72 NBR 902 | BAUSLX2  | 49006102    | ● |
| 45,00          | 72,00          | 8,00  | A        | smooth        | 0,05     | 75 FKM 585 | BAUM     | 49036527    | ○ |
| 45,00          | 72,00          | 8,00  | A        | smooth        | 0,05     | 72 NBR 902 | BAUX2    | 531104      | ● |
| 45,00          | 72,00          | 10,00 | B        | metal         | 0,02     | 72 NBR 902 | B1FUD    | 334277      | ● |
| 45,00          | 72,00          | 10,00 | C        | metal         | 0,02     | 72 NBR 902 | B2FUD    | 334927      | ● |
| 45,00          | 72,00          | 10,00 | A        | smooth        | 0,05     | 72 NBR 902 | BAUX2    | 49018324    | ● |
| 45,00          | 72,00          | 12,00 | BS       | metal         | 0,05     | 72 NBR 902 | B1SL     | 20147       | ● |
| 45,00          | 72,00          | 12,00 | B        | metal         | 0,02     | 72 NBR 902 | B1FUD    | 334928      | ● |
| 45,00          | 72,00          | 12,00 | C        | metal         | 0,02     | 72 NBR 902 | B2FUD    | 334962      | ● |
| 45,00          | 75,00          | 7,00  | AS       | grooved       | 0,05     | 72 NBR 902 | BAUSLX27 | 49001658    | ● |
| 45,00          | 75,00          | 7,00  | A        | grooved       | 0,05     | 72 NBR 902 | BAUX27   | 49001659    | ● |
| 45,00          | 75,00          | 7,00  | AS       | smooth        | 0,05     | 75 FKM 585 | BAUMSL   | 49011967    | ● |
| 45,00          | 75,00          | 7,00  | A        | smooth        | 0,05     | 75 FKM 585 | BAUM     | 49012131    | ● |
| 45,00          | 75,00          | 7,00  | -        | smooth        | 0,05     | 72 NBR 902 | MSS 7    | 522352      | ● |
| 45,00          | 75,00          | 8,00  | A        | smooth        | 0,05     | 72 NBR 902 | BAU      | 368920      | ● |
| 45,00          | 75,00          | 8,00  | AS       | grooved       | 0,05     | 75 FKM 585 | BAUMSLX7 | 411214      | ● |
| 45,00          | 75,00          | 8,00  | AS       | smooth        | 0,05     | 72 NBR 902 | BAUSLX2  | 49005159    | ○ |
| 45,00          | 75,00          | 8,00  | AS       | smooth        | 0,05     | 75 FKM 585 | BAUMSL   | 49008402    | ○ |
| 45,00          | 75,00          | 8,00  | AS       | smooth        | 0,05     | 72 NBR 902 | BAUSLX2  | 524804      | ● |
| 45,00          | 75,00          | 8,00  | -        | smooth        | 0,05     | 72 NBR 902 | MSS 1    | 49005160    | ● |
| 45,00          | 75,00          | 10,00 | AS       | smooth        | 0,02     | 72 NBR 902 | BAFUDSL  | 12000514    | ● |
| 45,00          | 75,00          | 10,00 | A        | grooved       | 0,02     | 72 NBR 902 | BAFUDX7  | 334299      | ● |
| 45,00          | 75,00          | 10,00 | A        | smooth        | 0,05     | 72 NBR 902 | BAUSL    | 524452      | ○ |
| 45,00          | 75,00          | 10,00 | A        | smooth        | 0,05     | 72 NBR 902 | BAUX2    | 526932      | ● |
| 45,00          | 75,00          | 12,00 | C        | metal         | 0,05     | 72 NBR 902 | B2       | 23056       | ● |
| 45,00          | 80,00          | 8,00  | A        | smooth        | 0,05     | 72 NBR 902 | BAU      | 8536        | ● |
| 45,00          | 80,00          | 8,00  | -        | smooth        | 0,05     | 72 NBR 902 | MSS 7    | 522353      | ● |
| 45,00          | 80,00          | 10,00 | C        | metal         | 0,05     | 72 NBR 902 | B2U      | 23058       | ● |
| 45,00          | 80,00          | 10,00 | A        | grooved       | 0,02     | 72 NBR 902 | BAFUDX7  | 334300      | ● |
| 45,00          | 80,00          | 10,00 | AS       | grooved       | 0,05     | 75 FKM 585 | BAUMSLX7 | 477668      | ● |
| 45,00          | 80,00          | 10,00 | A        | smooth        | 0,05     | 72 NBR 902 | BAUX2    | 49037528    | ● |
| 45,00          | 80,00          | 10,00 | AS       | smooth        | 0,05     | 72 NBR 902 | BAUSLX2  | 526075      | ● |
| 45,00          | 80,00          | 13,00 | B        | metal         | 0,05     | 72 NBR 902 | B1       | 19831       | ● |
| 45,00          | 80,00          | 13,00 | B        | metal         | 0,05     | 72 NBR 902 | B1USL    | 20148       | ● |

● Available from stock    ○ On request: Tool is available, delivery at short notice    \* → Diagram 2, page 18

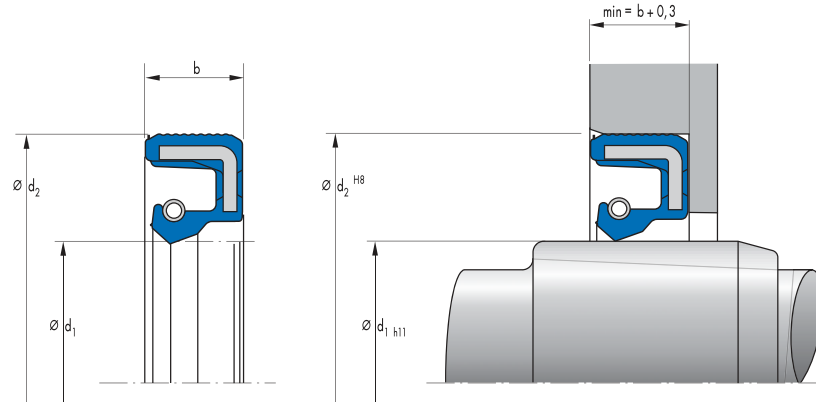


| d <sub>1</sub> | d <sub>2</sub> | b     | DIN 3761 | Outer surface | Pressure    | Material    | Type    | Article No. |   |
|----------------|----------------|-------|----------|---------------|-------------|-------------|---------|-------------|---|
| 45,00          | 80,00          | 13,00 | C        | metal         | 0,05        | 72 NBR 902  | B2U     | 23059       | ● |
| 45,00          | 80,00          | 13,00 | A        | smooth        | 0,05        | 72 NBR 902  | BA      | 8543        | ● |
| 45,00          | 85,00          | 10,00 | A        | smooth        | 0,05        | 72 NBR 902  | BAU     | 141529      | ● |
| 45,00          | 85,00          | 10,00 | B        | metal         | 0,05        | 72 NBR 902  | B1U     | 19832       | ● |
| 45,00          | 85,00          | 10,00 | AS       | smooth        | 0,05        | 72 NBR 902  | BAUSLX2 | 470429      | ● |
| 45,00          | 85,00          | 10,00 | AS       | smooth        | 0,05        | 75 FKM 585  | BAUMSL  | 470430      | ● |
| 45,00          | 85,00          | 10,00 | A        | smooth        | 0,05        | 72 NBR 902  | BAUSL   | 524451      | ○ |
| 45,00          | 85,00          | 10,00 | -        | smooth        | 0,05        | 72 NBR 902  | MSS 1   | 525382      | ● |
| 45,00          | 85,00          | 13,00 | C        | metal         | 0,05        | 72 NBR 902  | B2      | 23060       | ● |
| 45,00          | 100,00         | 10,00 | A        | smooth        | 0,05        | 72 NBR 902  | BA      | 103209      | ● |
| 46,00          | 60,00          | 7,00  | B        | metal         | 0,05        | 72 NBR 902  | B1U     | 19506       | ● |
| 46,00          | 62,00          | 12,00 | C        | metal         | 0,05        | 72 NBR 902  | B2U     | 22744       | ● |
| 46,00          | 64,00          | 8,00  | A        | smooth        | 0,05        | 72 NBR 902  | BA      | 8560        | ● |
| 46,00          | 65,00          | 10,00 | C        | metal         | 0,05        | 72 NBR 902  | B2U     | 23062       | ● |
| 46,00          | 65,00          | 10,00 | AS       | smooth        | 0,02        | 72 NBR 902  | BAFUDSL | 523567      | ● |
| 46,00          | 65,00          | 10,00 | A        | smooth        | 0,05        | 72 NBR 902  | BAU     | 8562        | ● |
| 46,00          | 68,00          | 12,00 | C        | metal         | 0,05        | 72 NBR 902  | B2      | 32022       | ● |
| 46,00          | 80,00          | 10,00 | C        | metal         | 0,05        | 72 NBR 902  | B2      | 22746       | ● |
| 46,94          | 62,00          | 8,00  | A        | smooth        | 0,05        | 72 NBR 902  | BA      | 8578        | ● |
| 47,00          | 62,00          | 6,00  | A        | smooth        | 0,05        | 72 NBR 902  | BA      | 8582        | ● |
| 47,00          | 62,00          | 7,00  | AS       | smooth        | *           | 72 NBR 902  | BABSL   | 379252      | ● |
| 47,00          | 65,00          | 10,00 | AS       | smooth        | 0,05        | 75 FKM 585  | BAUMSL  | 478469      | ● |
| 47,00          | 65,00          | 10,00 | AS       | smooth        | 0,05        | 72 NBR 902  | BAUSLX2 | 478470      | ● |
| 47,00          | 65,00          | 10,00 | -        | smooth        | 0,05        | 72 NBR 902  | MSS 1   | 525416      | ● |
| 47,00          | 65,00          | 12,00 | C        | metal         | 0,05        | 72 NBR 902  | B2U     | 23067       | ● |
| 47,00          | 70,00          | 12,00 | C        | metal         | 0,05        | 72 NBR 902  | B2      | 23068       | ● |
| 47,00          | 72,00          | 10,00 | C        | metal         | 0,05        | 72 NBR 902  | B2      | 23069       | ● |
| 47,00          | 72,00          | 12,00 | B        | metal         | 0,05        | 72 NBR 902  | B1      | 19836       | ● |
| 47,00          | 72,00          | 12,00 | C        | metal         | 0,05        | 72 NBR 902  | B2      | 23070       | ● |
| 47,00          | 90,00          | 10,00 | AS       | smooth        | 0,05        | 72 NBR 902  | BAUSLX2 | 478472      | ● |
| 47,00          | 90,00          | 10,00 | AS       | smooth        | 0,05        | 75 FKM 585  | BAUMSL  | 478473      | ● |
| 47,00          | 90,00          | 10,00 | -        | smooth        | 0,05        | 72 NBR 902  | MSS 1   | 525417      | ● |
| 48,00          | 62,00          | 8,00  | A        | grooved       | 0,02        | 72 NBR 902  | BAFUDX7 | 334832      | ● |
| 48,00          | 62,00          | 8,00  | B        | metal         | 0,02        | 72 NBR 902  | B1FUD   | 335103      | ● |
| 48,00          | 62,00          | 8,00  | C        | metal         | up to 1 MPa | PTFE F56101 | B2PT    | 374565      | ○ |
| 48,00          | 62,00          | 8,00  | A        | grooved       | 0,05        | 75 FKM 585  | BAUMX7  | 400946      | ● |

● Available from stock    ○ On request: Tool is available, delivery at short notice    \* → Diagram 2, page 18

| d <sub>1</sub> | d <sub>2</sub> | b     | DIN 3761 | Outer surface | Pressure       | Material      | Type      | Article No. |   |
|----------------|----------------|-------|----------|---------------|----------------|---------------|-----------|-------------|---|
| 48,00          | 62,00          | 8,00  | AS       | smooth        | 0,05           | 72 NBR 902    | BAUSLX2   | 49001665    | ● |
| 48,00          | 62,00          | 8,00  | AS       | grooved       | 0,05           | 75 FKM 585    | BAUMSLX7  | 530500      | ● |
| 48,00          | 62,00          | 10,00 | B        | metal         | 0,05           | 72 NBR 902    | B1U       | 19511       | ● |
| 48,00          | 65,00          | 4,50  | A        | metal         | un-pressurised | 80 NBR 177458 | MSC 01    | 508534      | ● |
| 48,00          | 65,00          | 4,50  | A        | metal         | un-pressurised | 80 FKM 177459 | MSC 01    | 508583      | ● |
| 48,00          | 65,00          | 8,00  | AS       | grooved       | 0,05           | 75 FKM 585    | BAUMSLX7  | 410186      | ● |
| 48,00          | 65,00          | 8,00  | A        | smooth        | 0,05           | 72 NBR 902    | BA        | 8597        | ● |
| 48,00          | 65,00          | 10,00 | B        | metal         | 0,05           | 72 NBR 902    | B1        | 12011331    | ○ |
| 48,00          | 65,00          | 10,00 | B        | metal         | 0,05           | 72 NBR 902    | B1U       | 19837       | ● |
| 48,00          | 65,00          | 10,00 | C        | metal         | 0,05           | 72 NBR 902    | B2U       | 23074       | ● |
| 48,00          | 65,00          | 10,00 | CS       | metal         | 0,05           | 72 NBR 902    | B2SL      | 23429       | ● |
| 48,00          | 65,00          | 10,00 | AS       | smooth        | 0,05           | 72 NBR 902    | BAUSLX2   | 49040137    | ● |
| 48,00          | 65,00          | 10,00 | A        | smooth        | 0,05           | 72 NBR 902    | BAU       | 8604        | ● |
| 48,00          | 65,00          | 10,00 | A        | smooth        | 0,05           | 72 NBR 902    | BAUSL     | 8606        | ● |
| 48,00          | 65,00          | 12,00 | C        | metal         | 0,05           | 72 NBR 902    | B2U       | 22747       | ● |
| 48,00          | 68,00          | 8,00  | AS       | grooved       | 0,05           | 75 FKM 585    | BAUMSLX7  | 411231      | ● |
| 48,00          | 68,00          | 10,00 | C        | metal         | 0,05           | 72 NBR 902    | B2U       | 22748       | ● |
| 48,00          | 68,00          | 10,00 | AS       | smooth        | 0,05           | 72 NBR 902    | BAUSLX2   | 529405      | ● |
| 48,00          | 68,00          | 10,00 | A        | smooth        | 0,05           | 72 NBR 902    | BA        | 8617        | ● |
| 48,00          | 68,00          | 12,00 | C        | metal         | 0,05           | 72 NBR 902    | B2U       | 23075       | ● |
| 48,00          | 69,00          | 12,00 | B        | metal         | 0,05           | 72 NBR 902    | B1U       | 19840       | ● |
| 48,00          | 70,00          | 10,00 | C        | metal         | 0,05           | 72 NBR 902    | B2        | 23076       | ● |
| 48,00          | 70,00          | 10,00 | A        | smooth        | 0,05           | 72 NBR 902    | BAU       | 8624        | ● |
| 48,00          | 70,00          | 12,00 | C        | metal         | 0,05           | 72 NBR 902    | B2        | 23077       | ● |
| 48,00          | 70,00          | 14,00 | CS       | metal         | 0,05           | 72 NBR 902    | B2SL      | 61833       | ○ |
| 48,00          | 72,00          | 7,00  | A        | grooved       | 0,02           | 72 NBR 902    | BAFUDX7   | 334833      | ● |
| 48,00          | 72,00          | 7,00  | BS       | metal         | 0,02           | 72 NBR 902    | B1FUDSL   | 348354      | ● |
| 48,00          | 72,00          | 8,00  | B        | metal         | 0,05           | 72 NBR 902    | B1        | 14027       | ● |
| 48,00          | 72,00          | 8,00  | A        | grooved       | 0,02           | 72 NBR 902    | BAFUDX7   | 334301      | ● |
| 48,00          | 72,00          | 8,00  | A        | grooved       | 0,05           | 75 FKM 585    | BAUMX7    | 388860      | ● |
| 48,00          | 72,00          | 8,00  | B        | metal         | 0,02           | 72 NBR 902    | B1FUD     | 427015      | ○ |
| 48,00          | 72,00          | 8,00  | AS       | grooved       | 0,05           | 75 FKM 585    | BAUMSLX7  | 460943      | ● |
| 48,00          | 72,00          | 8,00  | AS       | smooth        | 0,05           | 72 NBR 902    | BAUSLX2   | 524140      | ● |
| 48,00          | 72,00          | 10,00 | C        | metal         | 0,05           | 72 NBR 902    | B2U       | 23078       | ● |
| 48,00          | 72,00          | 10,00 | A        | smooth        | 0,05           | 72 NBR 902    | BAU       | 8633        | ● |
| 48,00          | 72,00          | 12,00 | B        | metal         | 0,05           | 72 NBR 902    | B1        | 20265       | ● |
| 48,00          | 72,00          | 12,00 | C        | metal         | 0,05           | 72 NBR 902    | B2        | 23079       | ● |
| 48,00          | 72,00          | 12,00 | A        | smooth        | 0,05           | 72 NBR 902    | BA        | 8640        | ● |
| 48,00          | 72,00          | 12,00 | A        | smooth        | 0,05           | 72 NBR 902    | BAUSL     | 8641        | ● |
| 48,00          | 80,00          | 8,00  | B        | metal         | 0,05           | 72 NBR 902    | B1U       | 424798      | ○ |
| 48,00          | 80,00          | 10,00 | C        | metal         | 0,05           | 72 NBR 902    | B2U       | 22749       | ● |
| 48,00          | 80,00          | 10,00 | A        | grooved       | 0,02           | 72 NBR 902    | BAFUDX7   | 334302      | ● |
| 48,00          | 80,00          | 13,00 | C        | metal         | 0,05           | 72 NBR 902    | B2        | 23080       | ● |
| 48,00          | 90,00          | 13,00 | C        | metal         | 0,05           | 72 NBR 902    | B2        | 23082       | ● |
| 49,00          | 65,00          | 10,00 | A        | smooth        | 0,05           | 72 NBR 902    | BA        | 8648        | ● |
| 49,00          | 68,00          | 10,00 | C        | metal         | 0,05           | 72 NBR 902    | B2U       | 22751       | ● |
| 50,00          | 60,00          | 4,50  | A        | smooth        | 0,05           | 72 NBR 902    | BAUSL     | 49033416    | ○ |
| 50,00          | 60,00          | 4,50  | AS       | grooved       | 0,05           | 75 FKM 585    | BAUMSLX27 | 521194      | ● |
| 50,00          | 62,00          | 6,00  | B        | metal         | 0,05           | 72 NBR 902    | B1USL     | 38786       | ○ |
| 50,00          | 62,00          | 7,00  | AS       | smooth        | 0,02           | 72 NBR 902    | BAFUDSL   | 12011173    | ● |

● Available from stock ○ On request: Tool is available, delivery at short notice \* → Diagram 2, page 18

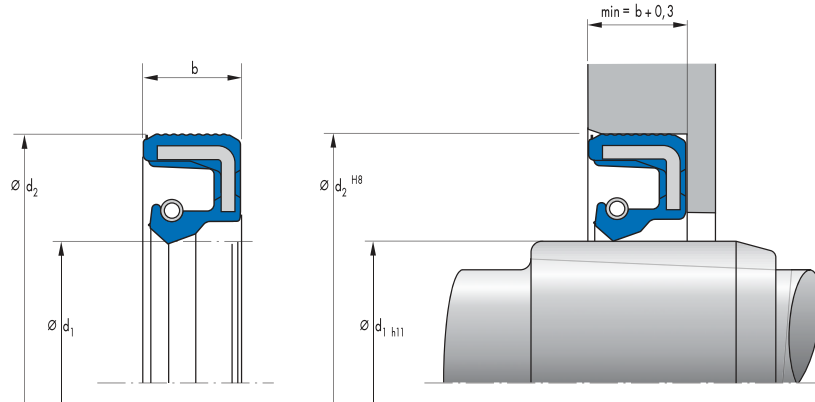


| d <sub>1</sub> | d <sub>2</sub> | b     | DIN 3761 | Outer surface | Pressure    | Material    | Type    | Article No. |   |
|----------------|----------------|-------|----------|---------------|-------------|-------------|---------|-------------|---|
| 50,00          | 62,00          | 7,00  | B        | metal         | 0,02        | 72 NBR 902  | B1FUD   | 532631      | ● |
| 50,00          | 62,00          | 8,00  | C        | metal         | up to 1 MPa | PTFE F56101 | B2PT    | 406798      | ● |
| 50,00          | 62,00          | 10,00 | B        | metal         | 0,02        | 72 NBR 902  | B1FUD   | 335124      | ● |
| 50,00          | 65,00          | 7,00  | AS       | smooth        | *           | 75 FKM 595  | BABSL   | 340127      | ● |
| 50,00          | 65,00          | 7,00  | AS       | smooth        | *           | 72 NBR 902  | BABSL   | 49009273    | ● |
| 50,00          | 65,00          | 8,00  | AS       | smooth        | *           | 72 NBR 902  | BABSL   | 12001704    | ● |
| 50,00          | 65,00          | 8,00  | B        | metal         | 0,02        | 72 NBR 902  | B1FUD   | 334393      | ● |
| 50,00          | 65,00          | 8,00  | A        | grooved       | 0,02        | 72 NBR 902  | BAFUDX7 | 334500      | ● |
| 50,00          | 65,00          | 8,00  | A        | grooved       | 0,05        | 75 FKM 585  | BAUMX7  | 389801      | ● |
| 50,00          | 65,00          | 8,00  | AS       | grooved       | 0,05        | 75 FKM 585  | BAUSLX7 | 410188      | ● |
| 50,00          | 65,00          | 8,00  | AS       | smooth        | 0,05        | 72 NBR 902  | BAUSLX2 | 49008230    | ○ |
| 50,00          | 65,00          | 8,00  | AS       | smooth        | 0,02        | 72 NBR 902  | BAFUDSL | 532623      | ● |
| 50,00          | 65,00          | 8,00  | BS       | metal         | 0,02        | 72 NBR 902  | B1FUDSL | 532632      | ● |
| 50,00          | 65,00          | 8,00  | A        | smooth        | 0,05        | 72 NBR 902  | BAU     | 8655        | ○ |
| 50,00          | 65,00          | 8,00  | A        | smooth        | 0,05        | 72 NBR 902  | BAUSL   | 8659        | ○ |
| 50,00          | 65,00          | 10,00 | B        | metal         | 0,05        | 72 NBR 902  | B1U     | 19520       | ● |
| 50,00          | 65,00          | 10,00 | C        | metal         | 0,05        | 72 NBR 902  | B2U     | 22752       | ● |
| 50,00          | 65,00          | 10,00 | AS       | smooth        | 0,05        | 75 FKM 585  | BAUMSL  | 455620      | ● |
| 50,00          | 65,00          | 10,00 | AS       | smooth        | 0,05        | 72 NBR 902  | BAUSLX2 | 455621      | ● |
| 50,00          | 65,00          | 10,00 | A        | smooth        | 0,05        | 72 NBR 902  | BAU     | 8662        | ● |
| 50,00          | 65,00          | 10,00 | -        | smooth        | 0,05        | 72 NBR 902  | MSS 1   | 525357      | ● |
| 50,00          | 66,00          | 10,00 | B        | metal         | 0,05        | 72 NBR 902  | B1      | 19521       | ● |
| 50,00          | 68,00          | 7,00  | AS       | smooth        | *           | 72 NBR 902  | BABSL   | 327026      | ● |
| 50,00          | 68,00          | 7,00  | AS       | smooth        | *           | 75 FKM 595  | BABSL   | 360204      | ● |
| 50,00          | 68,00          | 8,00  | AS       | smooth        | *           | 72 NBR 902  | BABSL   | 12011526    | ● |
| 50,00          | 68,00          | 8,00  | B        | metal         | 0,05        | 72 NBR 902  | B1U     | 2600        | ● |
| 50,00          | 68,00          | 8,00  | A        | grooved       | 0,05        | 75 FKM 585  | BAUMX7  | 386015      | ● |
| 50,00          | 68,00          | 8,00  | C        | metal         | up to 1 MPa | PTFE F56101 | B2PT    | 406801      | ● |
| 50,00          | 68,00          | 8,00  | AS       | grooved       | 0,05        | 75 FKM 585  | BAUSLX7 | 433708      | ● |
| 50,00          | 68,00          | 8,00  | BS       | metal         | 0,02        | 72 NBR 902  | B1FUDSL | 438769      | ○ |
| 50,00          | 68,00          | 8,00  | AS       | smooth        | 0,05        | 72 NBR 902  | BAUSLX2 | 475179      | ● |
| 50,00          | 68,00          | 8,00  | A        | smooth        | 0,02        | 72 NBR 902  | BAFUD   | 532624      | ● |
| 50,00          | 68,00          | 10,00 | AS       | smooth        | 0,02        | 72 NBR 902  | BAFUDSL | 12011176    | ● |
| 50,00          | 68,00          | 10,00 | B        | metal         | 0,05        | 72 NBR 902  | B1U     | 19843       | ● |
| 50,00          | 68,00          | 10,00 | C        | metal         | 0,05        | 72 NBR 902  | B2U     | 23085       | ● |
| 50,00          | 68,00          | 10,00 | A        | smooth        | 0,05        | 72 NBR 902  | BAU     | 8668        | ● |

● Available from stock    ○ On request: Tool is available, delivery at short notice    \* → Diagram 2, page 18

| d <sub>1</sub> | d <sub>2</sub> | b     | DIN 3761 | Outer surface | Pressure       | Material      | Type      | Article No. |   |
|----------------|----------------|-------|----------|---------------|----------------|---------------|-----------|-------------|---|
| 50,00          | 68,00          | 12,00 | C        | metal         | 0,05           | 72 NBR 902    | B2U       | 23086       | ● |
| 50,00          | 68,00          | 12,00 | A        | smooth        | 0,05           | 72 NBR 902    | BA        | 8670        | ● |
| 50,00          | 68,00          | 14,00 | B        | metal         | 0,05           | 72 NBR 902    | B1        | 19844       | ● |
| 50,00          | 70,00          | 5,50  | A        | metal         | un-pressurised | 80 NBR 177458 | MSC 01    | 508535      | ● |
| 50,00          | 70,00          | 5,50  | A        | metal         | un-pressurised | 80 FKM 177459 | MSC 01    | 508584      | ● |
| 50,00          | 70,00          | 8,00  | C        | metal         | up to 1 MPa    | PTFE F56101   | B2PT      | 406802      | ● |
| 50,00          | 70,00          | 8,00  | A        | grooved       | 0,05           | 75 FKM 585    | BAUMX7    | 411521      | ● |
| 50,00          | 70,00          | 9,00  | AS       | grooved       | 0,02           | 72 NBR 902    | BAFUDSLX7 | 365415      | ● |
| 50,00          | 70,00          | 10,00 | AS       | smooth        | 0,02           | 72 NBR 902    | BAFUDSL   | 12000520    | ● |
| 50,00          | 70,00          | 10,00 | C        | metal         | 0,02           | 72 NBR 902    | B2FUD     | 334346      | ● |
| 50,00          | 70,00          | 10,00 | B        | metal         | 0,02           | 72 NBR 902    | B1FUD     | 334394      | ● |
| 50,00          | 70,00          | 10,00 | A        | grooved       | 0,02           | 72 NBR 902    | BAFUDX7   | 334834      | ● |
| 50,00          | 70,00          | 10,00 | AS       | smooth        | *              | 72 NBR 902    | BABSL     | 49023852    | ● |
| 50,00          | 70,00          | 10,00 | C        | metal         | 0,05           | 75 FKM 595    | B2        | 80614       | ○ |
| 50,00          | 70,00          | 12,00 | C        | metal         | 0,02           | 72 NBR 902    | B2FUD     | 334347      | ● |
| 50,00          | 70,00          | 12,00 | B        | metal         | 0,02           | 72 NBR 902    | B1FUD     | 334672      | ● |
| 50,00          | 70,00          | 12,00 | A        | smooth        | 0,05           | 72 NBR 902    | BA        | 385267      | ○ |
| 50,00          | 70,00          | 12,00 | A        | smooth        | 0,05           | 72 NBR 902    | BAU       | 8677        | ● |
| 50,00          | 72,00          | 7,00  | AS       | smooth        | *              | 72 NBR 902    | BABSL     | 3036        | ● |
| 50,00          | 72,00          | 7,00  | AS       | smooth        | *              | 75 FKM 595    | BABSL     | 418718      | ● |
| 50,00          | 72,00          | 7,50  | A        | metal         | un-pressurised | 80 FKM 177459 | MSC 02    | 508612      | ● |
| 50,00          | 72,00          | 7,50  | A        | metal         | un-pressurised | 80 NBR 177458 | MSC 02    | 508636      | ● |
| 50,00          | 72,00          | 8,00  | B        | metal         | 0,02           | 72 NBR 902    | B1FUD     | 335105      | ● |
| 50,00          | 72,00          | 8,00  | A        | grooved       | 0,05           | 75 FKM 585    | BAUMX7    | 388083      | ● |
| 50,00          | 72,00          | 8,00  | C        | metal         | up to 1 MPa    | PTFE F56101   | B2PT      | 406804      | ● |
| 50,00          | 72,00          | 8,00  | AS       | grooved       | 0,05           | 75 FKM 585    | BAUMSLX7  | 410430      | ● |
| 50,00          | 72,00          | 8,00  | A        | smooth        | 0,02           | 72 NBR 902    | BAFUD     | 49001627    | ● |
| 50,00          | 72,00          | 8,00  | AS       | smooth        | 0,05           | 72 NBR 902    | BAUSLX2   | 529406      | ● |
| 50,00          | 72,00          | 8,00  | C        | metal         | up to 1 MPa    | PTFE F56101   | B2PT      | 529450      | ○ |
| 50,00          | 72,00          | 10,00 | CS       | metal         | 0,05           | 72 NBR 902    | B2USL     | 32425       | ● |
| 50,00          | 72,00          | 10,00 | BS       | metal         | 0,02           | 72 NBR 902    | B1FUDSL   | 335106      | ● |
| 50,00          | 72,00          | 10,00 | A        | grooved       | 0,02           | 72 NBR 902    | BAFUDX7   | 346653      | ● |
| 50,00          | 72,00          | 10,00 | C        | metal         | 0,02           | 72 NBR 902    | B2FUD     | 355458      | ● |
| 50,00          | 72,00          | 10,00 | B        | metal         | 0,02           | 72 NBR 902    | B1FUD     | 356350      | ● |
| 50,00          | 72,00          | 10,00 | A        | smooth        | 0,05           | 72 NBR 902    | BA        | 8694        | ● |
| 50,00          | 72,00          | 12,00 | CS       | metal         | 0,05           | 72 NBR 902    | B2SL      | 23599       | ● |
| 50,00          | 72,00          | 12,00 | AS       | grooved       | 0,02           | 72 NBR 902    | BAFUDSLX7 | 334835      | ● |
| 50,00          | 72,00          | 12,00 | C        | metal         | 0,02           | 72 NBR 902    | B2FUD     | 355449      | ● |
| 50,00          | 72,00          | 12,00 | B        | metal         | 0,02           | 72 NBR 902    | B1FUD     | 356347      | ● |
| 50,00          | 72,00          | 12,00 | AS       | smooth        | 0,05           | 72 NBR 902    | BAUSLX2   | 530502      | ● |
| 50,00          | 75,00          | 7,00  | AS       | smooth        | 0,05           | 72 NBR 902    | BAUSLX2   | 522367      | ● |
| 50,00          | 75,00          | 8,00  | AS       | grooved       | 0,05           | 75 FKM 585    | BAUMSLX7  | 468760      | ● |
| 50,00          | 75,00          | 9,00  | B        | metal         | 0,05           | 72 NBR 902    | B1        | 19849       | ● |
| 50,00          | 75,00          | 10,00 | A        | smooth        | 0,05           | 72 NBR 902    | BAU       | 8711        | ● |
| 50,00          | 75,00          | 12,00 | C        | metal         | 0,02           | 72 NBR 902    | B2FUD     | 334963      | ● |
| 50,00          | 78,00          | 10,00 | A        | smooth        | 0,05           | 72 NBR 902    | BAU       | 8713        | ● |
| 50,00          | 78,00          | 13,00 | C        | metal         | 0,05           | 72 NBR 902    | B2U       | 23093       | ● |
| 50,00          | 80,00          | 8,00  | B        | metal         | 0,02           | 72 NBR 902    | B1FUD     | 334929      | ● |
| 50,00          | 80,00          | 8,00  | A        | grooved       | 0,05           | 75 FKM 585    | BAUMX7    | 389830      | ● |
| 50,00          | 80,00          | 8,00  | AS       | grooved       | 0,05           | 75 FKM 585    | BAUMSLX7  | 477663      | ● |

● Available from stock ○ On request: Tool is available, delivery at short notice \* → Diagram 2, page 18

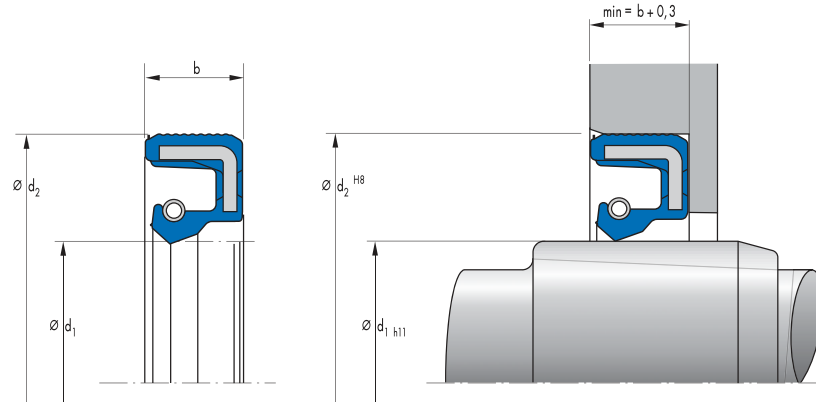


| d <sub>1</sub> | d <sub>2</sub> | b     | DIN 3761 | Outer surface | Pressure | Material   | Type     | Article No. |   |
|----------------|----------------|-------|----------|---------------|----------|------------|----------|-------------|---|
| 50,00          | 80,00          | 8,00  | A        | smooth        | 0,02     | 72 NBR 902 | BAFUD    | 49001628    | ● |
| 50,00          | 80,00          | 8,00  | AS       | smooth        | 0,05     | 72 NBR 902 | BAUSLX2  | 522368      | ● |
| 50,00          | 80,00          | 8,00  | A        | smooth        | 0,05     | 72 NBR 902 | BAUX2    | 531107      | ● |
| 50,00          | 80,00          | 10,00 | C        | metal         | 0,05     | 75 FKM 595 | B2U      | 300325      | ○ |
| 50,00          | 80,00          | 10,00 | B        | metal         | 0,02     | 72 NBR 902 | B1FUD    | 334930      | ● |
| 50,00          | 80,00          | 10,00 | C        | metal         | 0,02     | 72 NBR 902 | B2FUD    | 334964      | ● |
| 50,00          | 80,00          | 10,00 | AS       | grooved       | 0,05     | 75 FKM 585 | BAUMSLX7 | 405447      | ● |
| 50,00          | 80,00          | 10,00 | AS       | grooved       | 0,05     | 72 NBR 902 | BAUSLX27 | 451009      | ● |
| 50,00          | 80,00          | 10,00 | AS       | smooth        | 0,05     | 75 FKM 585 | BAUMSL   | 455622      | ● |
| 50,00          | 80,00          | 10,00 | AS       | smooth        | 0,05     | 72 NBR 902 | BAUSLX2  | 455623      | ● |
| 50,00          | 80,00          | 10,00 | A        | smooth        | 0,05     | 72 NBR 902 | BAUX2    | 49037530    | ● |
| 50,00          | 80,00          | 10,00 | AS       | grooved       | 0,05     | 75 FKM 585 | BAUMSLX7 | 526239      | ○ |
| 50,00          | 80,00          | 10,00 | A        | smooth        | 0,05     | 72 NBR 902 | BAU      | 8716        | ● |
| 50,00          | 80,00          | 10,00 | -        | smooth        | 0,05     | 72 NBR 902 | MSS 1    | 525353      | ● |
| 50,00          | 80,00          | 13,00 | B        | metal         | 0,05     | 72 NBR 902 | B1       | 19851       | ○ |
| 50,00          | 80,00          | 13,00 | C        | metal         | 0,05     | 72 NBR 902 | B2       | 23095       | ● |
| 50,00          | 80,00          | 13,00 | CS       | metal         | 0,05     | 72 NBR 902 | B2USL    | 23538       | ● |
| 50,00          | 80,00          | 13,00 | A        | smooth        | 0,05     | 72 NBR 902 | BAUSL    | 340571      | ● |
| 50,00          | 80,00          | 13,00 | A        | smooth        | 0,05     | 72 NBR 902 | BA       | 8720        | ● |
| 50,00          | 85,00          | 10,00 | AS       | smooth        | 0,05     | 72 NBR 902 | BAUSLX2  | 521126      | ● |
| 50,00          | 85,00          | 13,00 | C        | metal         | 0,05     | 72 NBR 902 | B2       | 23096       | ● |
| 50,00          | 90,00          | 8,00  | AS       | grooved       | 0,05     | 72 NBR 902 | BAUSLX27 | 49001660    | ● |
| 50,00          | 90,00          | 8,00  | AS       | smooth        | 0,05     | 75 FKM 585 | BAUMSL   | 49011966    | ● |
| 50,00          | 90,00          | 10,00 | B        | metal         | 0,05     | 72 NBR 902 | B1       | 19853       | ● |
| 50,00          | 90,00          | 10,00 | B        | metal         | 0,05     | 72 NBR 902 | B1U      | 426908      | ○ |
| 50,00          | 90,00          | 10,00 | AS       | smooth        | 0,05     | 75 FKM 585 | BAUMSL   | 455624      | ● |
| 50,00          | 90,00          | 10,00 | AS       | smooth        | 0,05     | 72 NBR 902 | BAUSLX2  | 455625      | ● |
| 50,00          | 90,00          | 10,00 | A        | smooth        | 0,05     | 72 NBR 902 | BAUX2    | 531103      | ● |
| 50,00          | 90,00          | 10,00 | -        | smooth        | 0,05     | 72 NBR 902 | MSS 1    | 525358      | ● |
| 50,00          | 90,00          | 13,00 | C        | metal         | 0,05     | 72 NBR 902 | B2U      | 23097       | ● |
| 50,00          | 110,00         | 10,00 | AS       | smooth        | 0,05     | 75 FKM 585 | BAUMSL   | 49014240    | ● |
| 50,00          | 110,00         | 10,00 | AS       | smooth        | 0,05     | 72 NBR 902 | BAUSLX2  | 49014241    | ● |
| 50,80          | 76,20          | 9,50  | B        | metal         | 0,05     | 72 NBR 902 | B1       | 19855       | ● |
| 50,80          | 76,20          | 12,70 | C        | metal         | 0,05     | 72 NBR 902 | B2       | 23098       | ○ |
| 52,00          | 68,00          | 7,00  | B        | metal         | 0,05     | 72 NBR 902 | B1U      | 19522       | ● |
| 52,00          | 68,00          | 7,00  | BS       | metal         | 0,02     | 72 NBR 902 | B1FUDSL  | 355473      | ● |

● Available from stock    ○ On request: Tool is available, delivery at short notice    \* → Diagram 2, page 18

| d <sub>1</sub> | d <sub>2</sub> | b     | DIN 3761 | Outer surface | Pressure       | Material      | Type     | Article No. |   |
|----------------|----------------|-------|----------|---------------|----------------|---------------|----------|-------------|---|
| 52,00          | 68,00          | 8,00  | AS       | smooth        | 0,02           | 72 NBR 902    | BAFUDSL  | 12013905    | ● |
| 52,00          | 68,00          | 8,00  | B        | metal         | 0,05           | 72 NBR 902    | B1U      | 19523       | ● |
| 52,00          | 68,00          | 8,00  | A        | grooved       | 0,02           | 72 NBR 902    | BAFUDX7  | 334316      | ● |
| 52,00          | 68,00          | 8,00  | A        | grooved       | 0,05           | 75 FKM 585    | BAUMX7   | 400964      | ● |
| 52,00          | 68,00          | 8,00  | AS       | grooved       | 0,05           | 75 FKM 585    | BAUMSLX7 | 409244      | ● |
| 52,00          | 68,00          | 10,00 | C        | metal         | 0,05           | 72 NBR 902    | B2U      | 22755       | ● |
| 52,00          | 68,00          | 10,00 | AS       | smooth        | *              | 72 NBR 902    | BABSL    | 341297      | ● |
| 52,00          | 68,00          | 10,00 | AS       | smooth        | *              | 75 FKM 595    | BABSL    | 49021367    | ● |
| 52,00          | 68,00          | 10,00 | A        | smooth        | 0,05           | 72 NBR 902    | BA       | 8742        | ● |
| 52,00          | 69,00          | 12,00 | C        | metal         | 0,05           | 72 NBR 902    | B2       | 22757       | ● |
| 52,00          | 70,00          | 10,00 | C        | metal         | 0,05           | 72 NBR 902    | B2U      | 22758       | ● |
| 52,00          | 72,00          | 5,50  | A        | metal         | un-pressurised | 80 NBR 177458 | MSC 01   | 508536      | ● |
| 52,00          | 72,00          | 5,50  | A        | metal         | un-pressurised | 80 FKM 177459 | MSC 01   | 508585      | ● |
| 52,00          | 72,00          | 8,00  | B        | metal         | 0,05           | 72 NBR 902    | B1       | 2655        | ● |
| 52,00          | 72,00          | 8,00  | A        | grooved       | 0,02           | 72 NBR 902    | BAFUDX7  | 355489      | ● |
| 52,00          | 72,00          | 8,00  | C        | metal         | up to 1 MPa    | PTFE F56101   | B2PT     | 362508      | ○ |
| 52,00          | 72,00          | 8,00  | A        | grooved       | 0,05           | 75 FKM 585    | BAUMX7   | 389280      | ● |
| 52,00          | 72,00          | 8,00  | C        | metal         | up to 1 MPa    | PTFE F56101   | B2PT     | 406805      | ● |
| 52,00          | 72,00          | 8,00  | AS       | grooved       | 0,05           | 75 FKM 585    | BAUMSLX7 | 410422      | ● |
| 52,00          | 72,00          | 10,00 | B        | metal         | 0,05           | 72 NBR 902    | B1       | 19857       | ● |
| 52,00          | 72,00          | 10,00 | C        | metal         | 0,05           | 72 NBR 902    | B2U      | 22760       | ● |
| 52,00          | 72,00          | 10,00 | AS       | smooth        | 0,05           | 72 NBR 902    | BAUSLX2  | 470379      | ● |
| 52,00          | 72,00          | 10,00 | AS       | smooth        | 0,05           | 75 FKM 585    | BAUMSL   | 470380      | ● |
| 52,00          | 72,00          | 10,00 | A        | smooth        | 0,05           | 72 NBR 902    | BAU      | 8747        | ● |
| 52,00          | 72,00          | 10,00 | -        | smooth        | 0,05           | 72 NBR 902    | MSS 1    | 525379      | ● |
| 52,00          | 72,00          | 12,00 | B        | metal         | 0,05           | 72 NBR 902    | B1U      | 19859       | ● |
| 52,00          | 72,00          | 12,00 | B        | metal         | 0,05           | 72 NBR 902    | B1USL    | 20310       | ● |
| 52,00          | 72,00          | 12,00 | C        | metal         | 0,05           | 72 NBR 902    | B2U      | 23100       | ● |
| 52,00          | 72,00          | 12,00 | A        | smooth        | 0,05           | 72 NBR 902    | BA       | 8749        | ● |
| 52,00          | 75,00          | 10,00 | C        | metal         | 0,05           | 72 NBR 902    | B2U      | 3546        | ● |
| 52,00          | 75,00          | 10,00 | A        | smooth        | 0,05           | 72 NBR 902    | BA       | 8751        | ● |
| 52,00          | 75,00          | 12,00 | C        | metal         | 0,05           | 72 NBR 902    | B2U      | 23101       | ● |
| 52,00          | 80,00          | 10,00 | C        | metal         | 0,05           | 72 NBR 902    | B2       | 22761       | ● |
| 52,00          | 80,00          | 10,00 | AS       | grooved       | 0,05           | 75 FKM 585    | BAUMSLX7 | 532940      | ● |
| 52,00          | 80,00          | 10,00 | A        | smooth        | 0,05           | 72 NBR 902    | BA       | 8753        | ● |
| 52,00          | 80,00          | 13,00 | BS       | metal         | 0,05           | 72 NBR 902    | B1SL     | 20151       | ● |
| 52,00          | 80,00          | 13,00 | C        | metal         | 0,05           | 72 NBR 902    | B2U      | 23102       | ● |
| 52,00          | 85,00          | 10,00 | C        | metal         | 0,05           | 72 NBR 902    | B2       | 23104       | ● |
| 52,00          | 85,00          | 10,00 | AS       | grooved       | 0,05           | 75 FKM 585    | BAUMSLX7 | 465368      | ● |
| 52,00          | 85,00          | 10,00 | A        | smooth        | 0,02           | 72 NBR 902    | BAFUD    | 523559      | ● |
| 52,00          | 85,00          | 10,00 | A        | smooth        | 0,05           | 72 NBR 902    | BA       | 8763        | ● |
| 52,00          | 85,00          | 13,00 | C        | metal         | 0,05           | 72 NBR 902    | B2       | 23105       | ● |
| 52,00          | 90,00          | 13,00 | C        | metal         | 0,05           | 72 NBR 902    | B2U      | 23106       | ● |
| 52,00          | 100,00         | 10,00 | AS       | smooth        | 0,05           | 75 FKM 585    | BAUMSL   | 470340      | ● |
| 52,00          | 100,00         | 10,00 | AS       | smooth        | 0,05           | 72 NBR 902    | BAUSLX2  | 470342      | ● |
| 52,00          | 100,00         | 10,00 | A        | grooved       | 0,05           | 75 FKM 585    | BAUMX7   | 524706      | ● |
| 52,00          | 100,00         | 10,00 | -        | smooth        | 0,05           | 72 NBR 902    | MSS 1    | 525389      | ● |
| 53,00          | 68,00          | 10,00 | A        | smooth        | 0,02           | 72 NBR 902    | BAFUD    | 12010980    | ● |
| 53,00          | 68,00          | 10,00 | C        | metal         | 0,05           | 72 NBR 902    | B2U      | 22762       | ● |
| 53,00          | 72,00          | 12,00 | C        | metal         | 0,05           | 72 NBR 902    | B2       | 23108       | ● |

● Available from stock    ○ On request: Tool is available, delivery at short notice    \* → Diagram 2, page 18

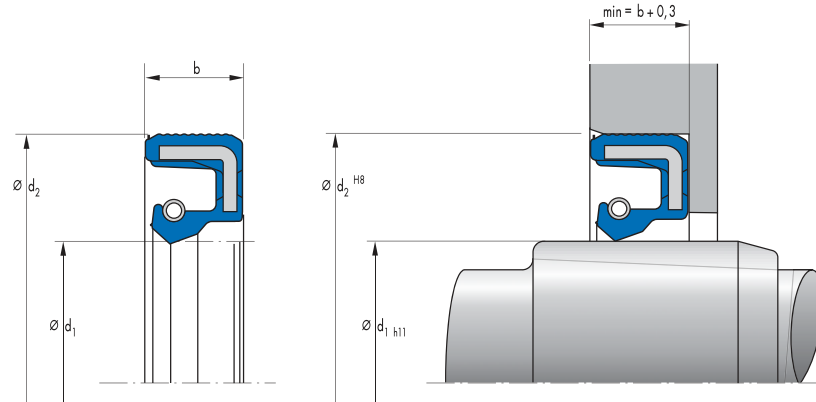


| $d_1$ | $d_2$ | b     | DIN 3761 | Outer surface | Pressure    | Material    | Type      | Article No. |   |
|-------|-------|-------|----------|---------------|-------------|-------------|-----------|-------------|---|
| 53,00 | 80,00 | 13,00 | C        | metal         | 0,05        | 72 NBR 902  | B2U       | 23109       | ● |
| 53,98 | 73,03 | 6,40  | B        | metal         | 0,05        | 72 NBR 902  | B1        | 18428       | ● |
| 53,98 | 76,20 | 12,50 | C        | metal         | 0,05        | 72 NBR 902  | B2U       | 23112       | ● |
| 54,00 | 70,00 | 8,00  | AS       | grooved       | 0,05        | 75 FKM 585  | BAUMSLX7  | 532939      | ● |
| 54,00 | 70,00 | 10,00 | B        | metal         | 0,05        | 72 NBR 902  | B1U       | 21249       | ● |
| 54,00 | 70,00 | 10,00 | A        | smooth        | 0,05        | 72 NBR 902  | BA        | 8781        | ● |
| 54,00 | 70,00 | 12,00 | C        | metal         | 0,05        | 72 NBR 902  | B2U       | 22763       | ● |
| 54,00 | 72,00 | 10,00 | C        | metal         | 0,05        | 72 NBR 902  | B2U       | 22764       | ● |
| 54,00 | 80,00 | 10,00 | C        | metal         | 0,05        | 72 NBR 902  | B2        | 22765       | ● |
| 54,00 | 80,00 | 13,00 | C        | metal         | 0,05        | 72 NBR 902  | B2U       | 23116       | ● |
| 54,00 | 81,00 | 10,00 | AS       | grooved       | 0,02        | 72 NBR 902  | BAFUDSLX7 | 407530      | ● |
| 54,00 | 85,00 | 10,00 | C        | metal         | 0,05        | 72 NBR 902  | B2        | 22766       | ● |
| 55,00 | 68,00 | 8,00  | A        | grooved       | 0,02        | 72 NBR 902  | BAFUDX7   | 355483      | ● |
| 55,00 | 68,00 | 8,00  | AS       | grooved       | 0,05        | 75 FKM 585  | BAUMSLX7  | 520864      | ● |
| 55,00 | 68,00 | 8,00  | A        | grooved       | 0,05        | 75 FKM 585  | BAUMX7    | 525674      | ● |
| 55,00 | 68,00 | 8,00  | AS       | smooth        | 0,05        | 72 NBR 902  | BAUSLX2   | 525828      | ● |
| 55,00 | 70,00 | 7,00  | AS       | smooth        | *           | 72 NBR 902  | BABSL     | 457349      | ● |
| 55,00 | 70,00 | 7,00  | A        | smooth        | 0,05        | 72 NBR 902  | BAUX2     | 520469      | ● |
| 55,00 | 70,00 | 7,00  | AS       | smooth        | 0,05        | 72 NBR 902  | BAUSLX2   | 521375      | ● |
| 55,00 | 70,00 | 8,00  | AS       | smooth        | *           | 72 NBR 902  | BABSL     | 12001706    | ● |
| 55,00 | 70,00 | 8,00  | BS       | metal         | 0,02        | 72 NBR 902  | B1FUDSL   | 334395      | ● |
| 55,00 | 70,00 | 8,00  | B        | metal         | 0,02        | 72 NBR 902  | B1FUD     | 335111      | ● |
| 55,00 | 70,00 | 8,00  | C        | metal         | up to 1 MPa | PTFE F56101 | B2PT      | 406820      | ● |
| 55,00 | 70,00 | 8,00  | AS       | grooved       | 0,05        | 75 FKM 585  | BAUMSLX7  | 476381      | ● |
| 55,00 | 70,00 | 8,00  | AS       | smooth        | 0,02        | 72 NBR 902  | BAFUDSL   | 49001656    | ● |
| 55,00 | 70,00 | 8,00  | A        | smooth        | 0,05        | 72 NBR 902  | BAUX2     | 528747      | ● |
| 55,00 | 70,00 | 10,00 | A        | grooved       | 0,05        | 75 FKM 585  | BAUMX7    | 386016      | ● |
| 55,00 | 70,00 | 10,00 | A        | smooth        | 0,05        | 72 NBR 902  | BAU       | 8799        | ● |
| 55,00 | 72,00 | 7,00  | AS       | smooth        | *           | 72 NBR 902  | BABSL     | 13984       | ● |
| 55,00 | 72,00 | 7,00  | AS       | smooth        | *           | 75 FKM 595  | BABSL     | 479065      | ● |
| 55,00 | 72,00 | 7,00  | AS       | smooth        | *           | 75 FKM 595  | BABSL     | 49008285    | ● |
| 55,00 | 72,00 | 8,00  | AS       | smooth        | *           | 72 NBR 902  | BABSL     | 12011530    | ● |
| 55,00 | 72,00 | 8,00  | B        | metal         | 0,02        | 72 NBR 902  | B1FUD     | 334676      | ● |
| 55,00 | 72,00 | 8,00  | A        | grooved       | 0,05        | 75 FKM 585  | BAUMX7    | 386017      | ● |
| 55,00 | 72,00 | 8,00  | AS       | grooved       | 0,05        | 75 FKM 585  | BAUMSLX7  | 407140      | ● |
| 55,00 | 72,00 | 8,00  | AS       | smooth        | 0,05        | 72 NBR 902  | BAUSLX2   | 476679      | ● |

● Available from stock    ○ On request: Tool is available, delivery at short notice    \* → Diagram 2, page 18

| d <sub>1</sub> | d <sub>2</sub> | b     | DIN 3761 | Outer surface | Pressure       | Material      | Type     | Article No. |   |
|----------------|----------------|-------|----------|---------------|----------------|---------------|----------|-------------|---|
| 55,00          | 72,00          | 8,00  | A        | smooth        | 0,02           | 72 NBR 902    | BAFUD    | 532625      | ● |
| 55,00          | 72,00          | 10,00 | B        | metal         | 0,02           | 72 NBR 902    | B1FUD    | 334370      | ● |
| 55,00          | 72,00          | 10,00 | C        | metal         | 0,02           | 72 NBR 902    | B2FUD    | 334677      | ● |
| 55,00          | 72,00          | 10,00 | BS       | metal         | 0,02           | 72 NBR 902    | B1FUDSL  | 335113      | ● |
| 55,00          | 72,00          | 10,00 | A        | grooved       | 0,02           | 72 NBR 902    | BAFUDX7  | 335477      | ● |
| 55,00          | 72,00          | 10,00 | C        | metal         | up to 1 MPa    | PTFE F56101   | B2PT     | 353545      | ● |
| 55,00          | 72,00          | 10,00 | AS       | smooth        | 0,05           | 72 NBR 902    | BAUSLX2  | 462742      | ● |
| 55,00          | 72,00          | 10,00 | AS       | smooth        | 0,05           | 75 FKM 585    | BAUMSL   | 462744      | ● |
| 55,00          | 72,00          | 10,00 | -        | smooth        | 0,05           | 72 NBR 902    | MSS 1    | 525360      | ● |
| 55,00          | 72,00          | 10,00 | -        | smooth        | 0,05           | 75 FKM 585    | MSS 1    | 525365      | ● |
| 55,00          | 72,00          | 12,00 | BS       | metal         | 0,02           | 72 NBR 902    | B1FUDSL  | 334279      | ● |
| 55,00          | 72,00          | 12,00 | C        | metal         | 0,02           | 72 NBR 902    | B2FUD    | 334333      | ● |
| 55,00          | 72,00          | 12,00 | B        | metal         | 0,02           | 72 NBR 902    | B1FUD    | 334675      | ● |
| 55,00          | 75,00          | 5,50  | A        | metal         | un-pressurised | 80 NBR 177458 | MSC 01   | 508537      | ● |
| 55,00          | 75,00          | 5,50  | A        | metal         | un-pressurised | 80 FKM 177459 | MSC 01   | 508586      | ● |
| 55,00          | 75,00          | 7,00  | AS       | smooth        | *              | 75 FKM 595    | BABSL    | 418724      | ● |
| 55,00          | 75,00          | 7,00  | AS       | smooth        | *              | 72 NBR 902    | BABSL    | 423894      | ● |
| 55,00          | 75,00          | 8,00  | AS       | grooved       | 0,05           | 75 FKM 585    | BAUMSLX7 | 410784      | ● |
| 55,00          | 75,00          | 8,00  | AS       | smooth        | 0,05           | 72 NBR 902    | BAUSLX2  | 475176      | ● |
| 55,00          | 75,00          | 10,00 | A        | grooved       | 0,02           | 72 NBR 902    | BAFUDX7  | 355484      | ● |
| 55,00          | 75,00          | 10,00 | A        | smooth        | 0,05           | 72 NBR 902    | BAU      | 366523      | ○ |
| 55,00          | 75,00          | 10,00 | C        | metal         | 0,05           | 72 NBR 902    | B2U      | 80235       | ● |
| 55,00          | 75,00          | 12,00 | B        | metal         | 0,02           | 72 NBR 902    | B1FUD    | 334931      | ● |
| 55,00          | 75,00          | 12,00 | C        | metal         | 0,02           | 72 NBR 902    | B2FUD    | 334965      | ● |
| 55,00          | 75,00          | 13,00 | A        | smooth        | 0,05           | 72 NBR 902    | BAU      | 8815        | ● |
| 55,00          | 75,00          | 15,00 | A        | smooth        | 0,05           | 72 NBR 902    | BADUO    | 8817        | ○ |
| 55,00          | 77,00          | 7,50  | A        | metal         | un-pressurised | 80 FKM 177459 | MSC 02   | 508613      | ● |
| 55,00          | 77,00          | 7,50  | A        | metal         | un-pressurised | 80 NBR 177458 | MSC 02   | 508637      | ● |
| 55,00          | 78,00          | 10,00 | AS       | grooved       | 0,05           | 75 FKM 585    | BAUMSLX7 | 474111      | ● |
| 55,00          | 78,00          | 10,00 | A        | smooth        | 0,05           | 72 NBR 902    | BA       | 8822        | ● |
| 55,00          | 78,00          | 13,00 | C        | metal         | 0,05           | 72 NBR 902    | B2       | 23118       | ● |
| 55,00          | 80,00          | 8,00  | A        | grooved       | 0,05           | 75 FKM 585    | BAUMX7   | 400987      | ● |
| 55,00          | 80,00          | 8,00  | C        | metal         | up to 1 MPa    | PTFE F56101   | B2PT     | 406821      | ● |
| 55,00          | 80,00          | 8,00  | AS       | grooved       | 0,05           | 75 FKM 585    | BAUMSLX7 | 521008      | ● |
| 55,00          | 80,00          | 8,00  | AS       | smooth        | 0,05           | 72 NBR 902    | BAUSLX2  | 524199      | ● |
| 55,00          | 80,00          | 8,00  | A        | smooth        | 0,05           | 72 NBR 902    | BAUX2    | 524644      | ● |
| 55,00          | 80,00          | 8,00  | B        | metal         | 0,05           | 72 NBR 902    | B1U      | 526428      | ● |
| 55,00          | 80,00          | 10,00 | B        | metal         | 0,05           | 72 NBR 902    | B1U      | 19865       | ● |
| 55,00          | 80,00          | 10,00 | C        | metal         | 0,05           | 72 NBR 902    | B2U      | 23119       | ● |
| 55,00          | 80,00          | 10,00 | CS       | metal         | 0,02           | 72 NBR 902    | B2FUDSL  | 334966      | ● |
| 55,00          | 80,00          | 10,00 | A        | grooved       | 0,05           | 75 FKM 585    | BAUMX7   | 388830      | ● |
| 55,00          | 80,00          | 10,00 | AS       | smooth        | 0,05           | 72 NBR 902    | BAUSLX2  | 524501      | ● |
| 55,00          | 80,00          | 10,00 | A        | smooth        | 0,05           | 72 NBR 902    | BAU      | 8825        | ● |
| 55,00          | 80,00          | 12,00 | C        | metal         | 0,05           | 72 NBR 902    | B2U      | 23120       | ● |
| 55,00          | 80,00          | 13,00 | B        | metal         | 0,05           | 72 NBR 902    | B1U      | 19866       | ● |
| 55,00          | 80,00          | 13,00 | BS       | metal         | 0,02           | 72 NBR 902    | B1FUDSL  | 334396      | ● |
| 55,00          | 80,00          | 13,00 | C        | metal         | 0,05           | 72 NBR 902    | B2U      | 3564        | ● |
| 55,00          | 80,00          | 13,00 | A        | smooth        | 0,05           | 72 NBR 902    | BAU      | 8834        | ● |
| 55,00          | 85,00          | 8,00  | B        | metal         | 0,05           | 72 NBR 902    | B1       | 2659        | ● |
| 55,00          | 85,00          | 8,00  | A        | grooved       | 0,05           | 75 FKM 585    | BAUMX7   | 411522      | ● |

● Available from stock    ○ On request: Tool is available, delivery at short notice    \* → Diagram 2, page 18

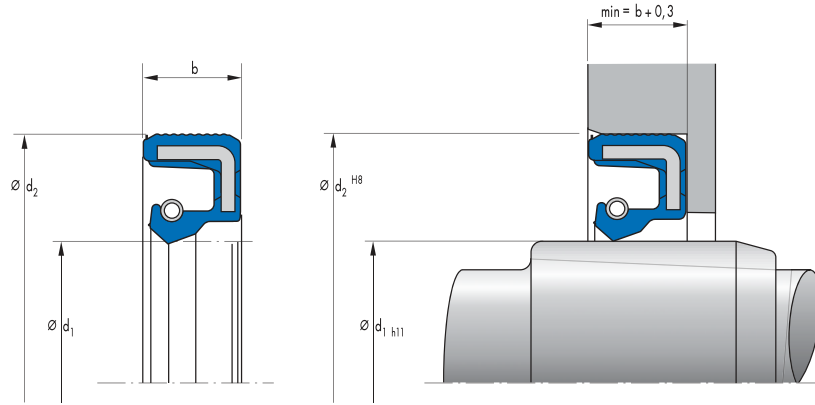


| d <sub>1</sub> | d <sub>2</sub> | b     | DIN 3761 | Outer surface | Pressure | Material   | Type     | Article No. |   |
|----------------|----------------|-------|----------|---------------|----------|------------|----------|-------------|---|
| 55,00          | 85,00          | 8,00  | A        | smooth        | 0,05     | 72 NBR 902 | BAU      | 523560      | ● |
| 55,00          | 85,00          | 10,00 | C        | metal         | 0,05     | 72 NBR 902 | B2U      | 22769       | ● |
| 55,00          | 85,00          | 10,00 | A        | grooved       | 0,05     | 75 FKM 585 | BAUMX7   | 389288      | ● |
| 55,00          | 85,00          | 10,00 | A        | smooth        | 0,05     | 72 NBR 902 | BA       | 8836        | ● |
| 55,00          | 85,00          | 13,00 | B        | metal         | 0,05     | 72 NBR 902 | B1U      | 19868       | ● |
| 55,00          | 85,00          | 13,00 | C        | metal         | 0,05     | 72 NBR 902 | B2       | 23122       | ● |
| 55,00          | 85,00          | 13,00 | A        | smooth        | 0,05     | 72 NBR 902 | BAU      | 8838        | ● |
| 55,00          | 90,00          | 8,00  | AS       | grooved       | 0,05     | 72 NBR 902 | BAUSLX7  | 377885      | ● |
| 55,00          | 90,00          | 8,00  | AS       | grooved       | 0,05     | 75 FKM 585 | BAUMSLX7 | 477662      | ● |
| 55,00          | 90,00          | 8,00  | A        | smooth        | 0,05     | 72 NBR 902 | BAUX2    | 49009274    | ● |
| 55,00          | 90,00          | 8,00  | A        | smooth        | 0,05     | 75 FKM 585 | BAUM     | 49012068    | ● |
| 55,00          | 90,00          | 8,00  | AS       | smooth        | 0,05     | 72 NBR 902 | BAUSLX2  | 49033016    | ● |
| 55,00          | 90,00          | 9,00  | -        | smooth        | 0,05     | 72 NBR 902 | MSS 7    | 522351      | ● |
| 55,00          | 90,00          | 10,00 | AS       | smooth        | 0,05     | 75 FKM 585 | BAUMSL   | 455629      | ● |
| 55,00          | 90,00          | 10,00 | AS       | smooth        | 0,05     | 72 NBR 902 | BAUSLX2  | 455630      | ● |
| 55,00          | 90,00          | 10,00 | A        | smooth        | 0,05     | 72 NBR 902 | BAUX2    | 521240      | ● |
| 55,00          | 90,00          | 10,00 | -        | smooth        | 0,05     | 72 NBR 902 | MSS 1    | 525359      | ● |
| 55,00          | 90,00          | 10,00 | -        | smooth        | 0,05     | 75 FKM 585 | MSS 1    | 525364      | ○ |
| 55,00          | 90,00          | 13,00 | C        | metal         | 0,05     | 72 NBR 902 | B2       | 23123       | ● |
| 55,00          | 100,00         | 8,00  | AS       | smooth        | 0,05     | 72 NBR 902 | BAUSLX2  | 49003306    | ● |
| 55,00          | 100,00         | 8,00  | AS       | smooth        | 0,05     | 75 FKM 585 | BAUMSL   | 49011965    | ● |
| 55,00          | 100,00         | 10,00 | AS       | smooth        | 0,05     | 72 NBR 902 | BAUSLX2  | 470437      | ● |
| 55,00          | 100,00         | 10,00 | AS       | smooth        | 0,05     | 75 FKM 585 | BAUMSL   | 470438      | ● |
| 55,00          | 100,00         | 10,00 | A        | smooth        | 0,05     | 72 NBR 902 | BAUX2    | 49002809    | ● |
| 55,00          | 100,00         | 10,00 | -        | smooth        | 0,05     | 72 NBR 902 | MSS 1    | 525393      | ● |
| 55,00          | 100,00         | 10,00 | -        | smooth        | 0,05     | 75 FKM 585 | MSS 1    | 525425      | ○ |
| 55,00          | 100,00         | 13,00 | C        | metal         | 0,05     | 72 NBR 902 | B2U      | 23124       | ● |
| 55,00          | 110,00         | 10,00 | AS       | grooved       | 0,05     | 75 FKM 585 | BAUMSLX7 | 465367      | ● |
| 56,00          | 70,00          | 8,00  | AS       | smooth        | 0,02     | 72 NBR 902 | BAFUDSL  | 12011189    | ● |
| 56,00          | 70,00          | 8,00  | A        | smooth        | 0,05     | 72 NBR 902 | BA       | 27338       | ● |
| 56,00          | 70,00          | 8,00  | B        | metal         | 0,05     | 72 NBR 902 | B1       | 28930       | ● |
| 56,00          | 70,00          | 8,00  | AS       | grooved       | 0,05     | 75 FKM 585 | BAUMSLX7 | 407296      | ● |
| 56,00          | 72,00          | 8,00  | B        | metal         | 0,05     | 72 NBR 902 | B1U      | 19530       | ● |
| 56,00          | 72,00          | 8,00  | AS       | grooved       | 0,05     | 75 FKM 585 | BAUMSLX7 | 410420      | ● |
| 56,00          | 72,00          | 8,00  | A        | smooth        | 0,05     | 72 NBR 902 | BAU      | 8850        | ● |
| 56,00          | 72,00          | 10,00 | C        | metal         | 0,05     | 72 NBR 902 | B2       | 2838        | ● |

● Available from stock    ○ On request: Tool is available, delivery at short notice    \* → Diagram 2, page 18

| d <sub>1</sub> | d <sub>2</sub> | b     | DIN 3761 | Outer surface | Pressure       | Material      | Type      | Article No. |   |
|----------------|----------------|-------|----------|---------------|----------------|---------------|-----------|-------------|---|
| 56,00          | 72,00          | 10,00 | A        | smooth        | 0,05           | 72 NBR 902    | BA        | 8856        | ● |
| 56,00          | 78,00          | 13,00 | C        | metal         | 0,05           | 72 NBR 902    | B2        | 23125       | ● |
| 56,00          | 80,00          | 8,00  | A        | smooth        | 0,05           | 72 NBR 902    | BA        | 2799        | ● |
| 56,00          | 80,00          | 8,00  | A        | grooved       | 0,05           | 75 FKM 585    | BAUMX7    | 411523      | ● |
| 56,00          | 80,00          | 10,00 | B        | metal         | 0,05           | 72 NBR 902    | B1U       | 19870       | ● |
| 56,00          | 80,00          | 10,00 | C        | metal         | 0,05           | 72 NBR 902    | B2U       | 22770       | ● |
| 56,00          | 80,00          | 13,00 | C        | metal         | 0,05           | 72 NBR 902    | B2        | 23126       | ○ |
| 56,00          | 85,00          | 8,00  | A        | smooth        | 0,05           | 72 NBR 902    | BA        | 31451       | ● |
| 56,00          | 85,00          | 8,00  | A        | grooved       | 0,05           | 75 FKM 585    | BAUMX7    | 411524      | ● |
| 56,00          | 85,00          | 8,00  | A        | smooth        | 0,02           | 72 NBR 902    | BAFUD     | 523561      | ● |
| 56,00          | 90,00          | 13,00 | C        | metal         | 0,05           | 72 NBR 902    | B2        | 23128       | ● |
| 57,00          | 72,00          | 9,00  | B        | metal         | 0,05           | 72 NBR 902    | B1USL     | 520586      | ● |
| 57,00          | 72,00          | 10,00 | C        | metal         | 0,05           | 72 NBR 902    | B2U       | 22772       | ● |
| 57,00          | 80,00          | 12,00 | C        | metal         | 0,05           | 72 NBR 902    | B2        | 23129       | ● |
| 57,00          | 85,00          | 10,00 | C        | metal         | 0,05           | 72 NBR 902    | B2        | 22773       | ○ |
| 57,00          | 85,00          | 12,00 | C        | metal         | 0,05           | 72 NBR 902    | B2        | 23130       | ● |
| 57,00          | 90,00          | 13,00 | B        | metal         | 0,05           | 72 NBR 902    | B1U       | 19873       | ● |
| 57,00          | 90,00          | 13,00 | C        | metal         | 0,05           | 72 NBR 902    | B2        | 23131       | ● |
| 57,15          | 76,20          | 13,00 | C        | metal         | 0,05           | 72 NBR 902    | B2        | 20608       | ● |
| 57,15          | 82,55          | 9,50  | B        | metal         | 0,05           | 72 NBR 902    | B1U       | 19874       | ● |
| 58,00          | 72,00          | 8,00  | B        | metal         | 0,02           | 72 NBR 902    | B1FUD     | 335183      | ● |
| 58,00          | 72,00          | 8,00  | A        | grooved       | 0,05           | 75 FKM 585    | BAUMX7    | 403099      | ● |
| 58,00          | 72,00          | 8,00  | A        | smooth        | 0,02           | 72 NBR 902    | BAFUD     | 49001629    | ● |
| 58,00          | 72,00          | 8,00  | AS       | grooved       | 0,05           | 75 FKM 585    | BAUMSLX7  | 49009508    | ● |
| 58,00          | 75,00          | 10,00 | A        | grooved       | 0,02           | 72 NBR 902    | BAFUDX7   | 334320      | ● |
| 58,00          | 75,00          | 12,00 | C        | metal         | 0,02           | 72 NBR 902    | B2FUD     | 334967      | ● |
| 58,00          | 78,00          | 5,50  | A        | metal         | un-pressurised | 80 NBR 177458 | MSC 01    | 508539      | ● |
| 58,00          | 78,00          | 5,50  | A        | metal         | un-pressurised | 80 FKM 177459 | MSC 01    | 508587      | ● |
| 58,00          | 78,00          | 13,00 | C        | metal         | 0,05           | 72 NBR 902    | B2U       | 22775       | ● |
| 58,00          | 80,00          | 8,00  | B        | metal         | 0,05           | 72 NBR 902    | B1U       | 14049       | ● |
| 58,00          | 80,00          | 8,00  | A        | grooved       | 0,02           | 72 NBR 902    | BAFUDX7   | 334839      | ● |
| 58,00          | 80,00          | 8,00  | A        | grooved       | 0,05           | 75 FKM 585    | BAUMX7    | 411526      | ● |
| 58,00          | 80,00          | 8,00  | AS       | grooved       | 0,05           | 75 FKM 585    | BAUMSLX7  | 478514      | ○ |
| 58,00          | 80,00          | 10,00 | AS       | grooved       | 0,02           | 72 NBR 902    | BAFUDSLX7 | 12011190    | ● |
| 58,00          | 80,00          | 10,00 | C        | metal         | 0,05           | 72 NBR 902    | B2U       | 23133       | ● |
| 58,00          | 80,00          | 10,00 | CS       | metal         | 0,05           | 72 NBR 902    | B2USL     | 23431       | ● |
| 58,00          | 80,00          | 10,00 | A        | smooth        | 0,05           | 72 NBR 902    | BAU       | 8883        | ● |
| 58,00          | 80,00          | 12,00 | C        | metal         | 0,05           | 72 NBR 902    | B2U       | 23490       | ● |
| 58,00          | 80,00          | 13,00 | B        | metal         | 0,05           | 72 NBR 902    | B1U       | 19875       | ● |
| 58,00          | 80,00          | 13,00 | CS       | metal         | 0,05           | 72 NBR 902    | B2USL     | 23453       | ● |
| 58,00          | 80,00          | 13,00 | CS       | metal         | 0,05           | 72 NBR 902    | B2USL     | 457620      | ● |
| 58,00          | 85,00          | 10,00 | C        | metal         | 0,05           | 72 NBR 902    | B2U       | 22776       | ● |
| 58,00          | 85,00          | 13,00 | C        | metal         | 0,05           | 72 NBR 902    | B2        | 23134       | ● |
| 58,00          | 90,00          | 10,00 | A        | smooth        | 0,02           | 72 NBR 902    | BAFUD     | 12010996    | ● |
| 58,00          | 90,00          | 13,00 | C        | metal         | 0,05           | 72 NBR 902    | B2U       | 23135       | ● |
| 60,00          | 70,00          | 7,00  | B        | metal         | 0,05           | 72 NBR 902    | B1        | 18349       | ● |
| 60,00          | 70,00          | 7,00  | B        | metal         | un-pressurised | 72 NBR 902    | B1FOF     | 415873      | ○ |
| 60,00          | 72,00          | 7,00  | AS       | smooth        | *              | 72 NBR 902    | BABSL     | 377869      | ● |
| 60,00          | 72,00          | 7,00  | AS       | smooth        | *              | 72 NBR 902    | BABSL     | 49001732    | ● |
| 60,00          | 72,00          | 7,00  | BS       | metal         | 0,02           | 72 NBR 902    | B1FUDSL   | 532633      | ● |

● Available from stock ○ On request: Tool is available, delivery at short notice \* → Diagram 2, page 18

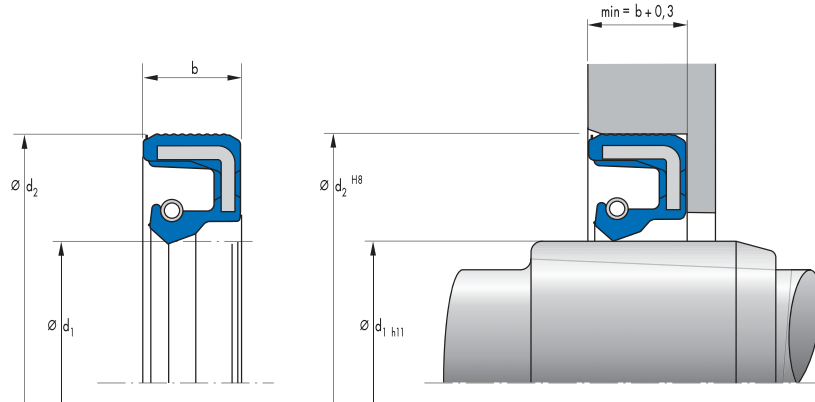


| d <sub>1</sub> | d <sub>2</sub> | b     | DIN 3761 | Outer surface | Pressure       | Material      | Type     | Article No. |   |
|----------------|----------------|-------|----------|---------------|----------------|---------------|----------|-------------|---|
| 60,00          | 72,00          | 7,00  | B        | metal         | 0,02           | 72 NBR 902    | B1FUD    | 532634      | ● |
| 60,00          | 72,00          | 8,00  | B        | metal         | 0,02           | 72 NBR 902    | B1FUD    | 334397      | ● |
| 60,00          | 75,00          | 8,00  | AS       | smooth        | *              | 72 NBR 902    | BABSL    | 12001708    | ● |
| 60,00          | 75,00          | 8,00  | BS       | metal         | 0,02           | 72 NBR 902    | B1FUDSL  | 334398      | ● |
| 60,00          | 75,00          | 8,00  | B        | metal         | 0,02           | 72 NBR 902    | B1FUD    | 355634      | ● |
| 60,00          | 75,00          | 8,00  | C        | metal         | 0,02           | 72 NBR 902    | B2FUD    | 356373      | ● |
| 60,00          | 75,00          | 8,00  | A        | smooth        | 0,05           | 72 NBR 902    | BAU      | 390993      | ○ |
| 60,00          | 75,00          | 8,00  | AS       | grooved       | 0,05           | 75 FKM 585    | BAUMSLX7 | 404321      | ● |
| 60,00          | 75,00          | 8,00  | C        | metal         | up to 1 MPa    | PTFE F56101   | B2PT     | 406823      | ● |
| 60,00          | 75,00          | 8,00  | A        | grooved       | 0,05           | 75 FKM 585    | BAUMX7   | 49015826    | ● |
| 60,00          | 75,00          | 8,00  | A        | smooth        | 0,05           | 72 NBR 902    | BAUX2    | 49017410    | ● |
| 60,00          | 75,00          | 8,00  | AS       | smooth        | 0,05           | 72 NBR 902    | BAUSLX2  | 524219      | ● |
| 60,00          | 75,00          | 10,00 | AS       | smooth        | *              | 75 FKM 595    | BABSL    | 430573      | ● |
| 60,00          | 78,00          | 10,00 | B        | metal         | 0,05           | 72 NBR 902    | B1       | 19878       | ● |
| 60,00          | 78,00          | 10,00 | A        | grooved       | 0,05           | 75 FKM 585    | BAUMX7   | 49037121    | ● |
| 60,00          | 78,00          | 10,00 | A        | smooth        | 0,05           | 72 NBR 902    | BA       | 8909        | ● |
| 60,00          | 78,00          | 13,00 | C        | metal         | 0,05           | 72 NBR 902    | B2U      | 22777       | ● |
| 60,00          | 80,00          | 5,50  | A        | metal         | un-pressurised | 80 NBR 177458 | MSC 01   | 508540      | ● |
| 60,00          | 80,00          | 5,50  | A        | metal         | un-pressurised | 80 FKM 177459 | MSC 01   | 508588      | ● |
| 60,00          | 80,00          | 7,00  | AS       | smooth        | *              | 72 NBR 902    | BABSL    | 335195      | ● |
| 60,00          | 80,00          | 7,00  | AS       | smooth        | *              | 75 FKM 595    | BABSL    | 341551      | ○ |
| 60,00          | 80,00          | 7,00  | AS       | smooth        | *              | 75 FKM 595    | BABSL    | 418727      | ● |
| 60,00          | 80,00          | 7,00  | AS       | smooth        | *              | 75 FKM 595    | BABSL    | 463704      | ○ |
| 60,00          | 80,00          | 7,00  | AS       | smooth        | *              | 75 FKM 595    | BABSL    | 529503      | ● |
| 60,00          | 80,00          | 8,00  | A        | grooved       | 0,02           | 72 NBR 902    | BAFUDX7  | 334321      | ● |
| 60,00          | 80,00          | 8,00  | B        | metal         | 0,02           | 72 NBR 902    | B1FUD    | 335117      | ● |
| 60,00          | 80,00          | 8,00  | C        | metal         | up to 1 MPa    | PTFE F56101   | B2PT     | 406825      | ● |
| 60,00          | 80,00          | 8,00  | AS       | grooved       | 0,05           | 75 FKM 585    | BAUMSLX7 | 407294      | ● |
| 60,00          | 80,00          | 8,00  | AS       | smooth        | 0,05           | 72 NBR 902    | BAUSLX2  | 49028650    | ● |
| 60,00          | 80,00          | 8,00  | AS       | smooth        | 0,05           | 72 NBR 902    | BAUSLX2  | 49030494    | ● |
| 60,00          | 80,00          | 8,00  | A        | grooved       | 0,05           | 75 FKM 585    | BAUMX7   | 520224      | ● |
| 60,00          | 80,00          | 8,00  | C        | metal         | up to 1 MPa    | PTFE F56101   | B2PT     | 529451      | ○ |
| 60,00          | 80,00          | 10,00 | B        | metal         | 0,02           | 72 NBR 902    | B1FUD    | 334399      | ● |
| 60,00          | 80,00          | 10,00 | C        | metal         | 0,02           | 72 NBR 902    | B2FUD    | 334968      | ● |
| 60,00          | 80,00          | 10,00 | B        | metal         | 0,05           | 72 NBR 902    | B1U      | 349         | ○ |
| 60,00          | 80,00          | 10,00 | C        | metal         | up to 1 MPa    | PTFE F56101   | B2PT     | 353546      | ○ |

● Available from stock    ○ On request: Tool is available, delivery at short notice    \* → Diagram 2, page 18

| d <sub>1</sub> | d <sub>2</sub> | b     | DIN 3761 | Outer surface | Pressure       | Material      | Type     | Article No. |   |
|----------------|----------------|-------|----------|---------------|----------------|---------------|----------|-------------|---|
| 60,00          | 80,00          | 10,00 | A        | grooved       | 0,05           | 75 FKM 585    | BAUMX7   | 386182      | ● |
| 60,00          | 80,00          | 10,00 | A        | smooth        | 0,05           | 72 NBR 902    | BAUX2    | 49020336    | ● |
| 60,00          | 80,00          | 10,00 | AS       | smooth        | 0,05           | 72 NBR 902    | BAUSLX2  | 529407      | ● |
| 60,00          | 80,00          | 10,00 | A        | smooth        | 0,05           | 72 NBR 902    | BAU      | 8920        | ○ |
| 60,00          | 80,00          | 10,00 | AS       | smooth        | 0,05           | 72 NBR 902    | BASL     | 8927        | ● |
| 60,00          | 80,00          | 12,00 | B        | metal         | 0,05           | 72 NBR 902    | B1USL    | 32991       | ● |
| 60,00          | 80,00          | 12,00 | B        | metal         | 0,02           | 72 NBR 902    | B1FUD    | 334932      | ● |
| 60,00          | 80,00          | 12,00 | C        | metal         | 0,02           | 72 NBR 902    | B2FUD    | 334969      | ● |
| 60,00          | 80,00          | 13,00 | BS       | metal         | 0,05           | 72 NBR 902    | B1SL     | 20158       | ● |
| 60,00          | 80,00          | 13,00 | CS       | metal         | 0,05           | 72 NBR 902    | B2USL    | 23534       | ● |
| 60,00          | 80,00          | 13,00 | B        | metal         | 0,02           | 72 NBR 902    | B1FUD    | 334933      | ● |
| 60,00          | 80,00          | 13,00 | C        | metal         | 0,02           | 72 NBR 902    | B2FUD    | 334970      | ● |
| 60,00          | 80,00          | 13,00 | AS       | smooth        | 0,05           | 72 NBR 902    | BAUSLX2  | 49040138    | ● |
| 60,00          | 82,00          | 7,50  | A        | metal         | un-pressurised | 80 FKM 177459 | MSC 02   | 508614      | ● |
| 60,00          | 82,00          | 7,50  | A        | metal         | un-pressurised | 80 NBR 177458 | MSC 02   | 508638      | ● |
| 60,00          | 85,00          | 8,00  | AS       | smooth        | 0,02           | 72 NBR 902    | BAFUDSL  | 12011193    | ● |
| 60,00          | 85,00          | 8,00  | A        | smooth        | 0,05           | 75 FKM 595    | BAUM     | 121907      | ○ |
| 60,00          | 85,00          | 8,00  | AS       | smooth        | *              | 72 NBR 902    | BABSL    | 146437      | ● |
| 60,00          | 85,00          | 8,00  | A        | grooved       | 0,02           | 72 NBR 902    | BAFUDX7  | 334322      | ● |
| 60,00          | 85,00          | 8,00  | B        | metal         | 0,02           | 72 NBR 902    | B1FUD    | 334400      | ● |
| 60,00          | 85,00          | 8,00  | A        | grooved       | 0,05           | 75 FKM 585    | BAUMX7   | 389828      | ● |
| 60,00          | 85,00          | 10,00 | C        | metal         | 0,02           | 72 NBR 902    | B2FUD    | 334693      | ● |
| 60,00          | 85,00          | 10,00 | A        | grooved       | 0,02           | 72 NBR 902    | BAFUDX7  | 334842      | ● |
| 60,00          | 85,00          | 10,00 | AS       | smooth        | 0,05           | 75 FKM 585    | BAUMSL   | 384292      | ● |
| 60,00          | 85,00          | 12,00 | C        | metal         | 0,02           | 72 NBR 902    | B2FUD    | 334692      | ● |
| 60,00          | 85,00          | 13,00 | C        | metal         | 0,02           | 72 NBR 902    | B2FUD    | 334332      | ● |
| 60,00          | 85,00          | 13,00 | B        | metal         | 0,02           | 72 NBR 902    | B1FUD    | 334401      | ● |
| 60,00          | 85,00          | 13,00 | BS       | metal         | 0,02           | 72 NBR 902    | B1FUDSL  | 346132      | ● |
| 60,00          | 85,00          | 13,00 | A        | smooth        | 0,05           | 72 NBR 902    | BA       | 8941        | ● |
| 60,00          | 90,00          | 8,00  | AS       | smooth        | 0,02           | 72 NBR 902    | BAFUDSL  | 12011194    | ● |
| 60,00          | 90,00          | 8,00  | B        | metal         | 0,02           | 72 NBR 902    | B1FUD    | 334667      | ● |
| 60,00          | 90,00          | 8,00  | A        | grooved       | 0,02           | 72 NBR 902    | BAFUDX7  | 334844      | ● |
| 60,00          | 90,00          | 8,00  | A        | grooved       | 0,05           | 75 FKM 585    | BAUMX7   | 400796      | ● |
| 60,00          | 90,00          | 8,00  | AS       | grooved       | 0,05           | 75 FKM 585    | BAUMSLX7 | 407448      | ● |
| 60,00          | 90,00          | 8,00  | A        | smooth        | 0,05           | 72 NBR 902    | BAUX2    | 49037534    | ● |
| 60,00          | 90,00          | 8,00  | AS       | smooth        | 0,05           | 72 NBR 902    | BAUSLX2  | 524647      | ● |
| 60,00          | 90,00          | 9,00  | AS       | smooth        | 0,05           | 72 NBR 902    | BAUSLX2  | 522366      | ● |
| 60,00          | 90,00          | 10,00 | B        | metal         | 0,05           | 72 NBR 902    | B1USL    | 20160       | ● |
| 60,00          | 90,00          | 10,00 | C        | metal         | 0,02           | 72 NBR 902    | B2FUD    | 334353      | ● |
| 60,00          | 90,00          | 10,00 | B        | metal         | 0,02           | 72 NBR 902    | B1FUD    | 334666      | ● |
| 60,00          | 90,00          | 10,00 | A        | grooved       | 0,05           | 75 FKM 585    | BAUMX7   | 389605      | ● |
| 60,00          | 90,00          | 10,00 | A        | smooth        | 0,05           | 72 NBR 902    | BAU      | 8952        | ● |
| 60,00          | 90,00          | 12,00 | B        | metal         | 0,02           | 72 NBR 902    | B1FUD    | 334665      | ● |
| 60,00          | 90,00          | 12,00 | C        | metal         | 0,02           | 72 NBR 902    | B2FUD    | 334668      | ● |
| 60,00          | 90,00          | 13,00 | B        | metal         | 0,05           | 72 NBR 902    | B1USL    | 20161       | ● |
| 60,00          | 90,00          | 13,00 | A        | grooved       | 0,02           | 72 NBR 902    | BAFUDX7  | 334234      | ● |
| 60,00          | 90,00          | 13,00 | B        | metal         | 0,02           | 72 NBR 902    | B1FUD    | 396861      | ● |
| 60,00          | 95,00          | 8,00  | AS       | grooved       | 0,05           | 75 FKM 585    | BAUMSLX7 | 468761      | ● |
| 60,00          | 95,00          | 10,00 | AS       | smooth        | 0,02           | 72 NBR 902    | BAFUDSL  | 12000533    | ● |
| 60,00          | 95,00          | 10,00 | A        | smooth        | 0,05           | 72 NBR 902    | BAUX2    | 525827      | ● |

● Available from stock    ○ On request: Tool is available, delivery at short notice    \* → Diagram 2, page 18

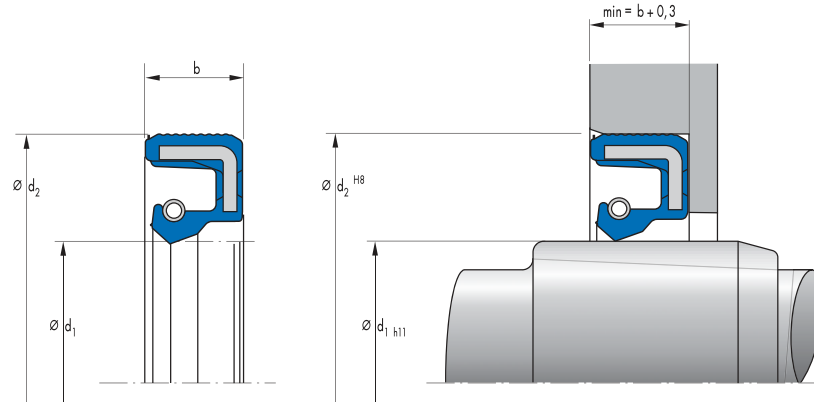


| d <sub>1</sub> | d <sub>2</sub> | b     | DIN 3761 | Outer surface | Pressure       | Material      | Type     | Article No. |   |
|----------------|----------------|-------|----------|---------------|----------------|---------------|----------|-------------|---|
| 60,00          | 95,00          | 13,00 | C        | metal         | 0,05           | 72 NBR 902    | B2U      | 23142       | ● |
| 60,00          | 100,00         | 10,00 | AS       | smooth        | 0,05           | 72 NBR 902    | BAUSLX2  | 49011493    | ● |
| 60,00          | 100,00         | 10,00 | A        | grooved       | 0,05           | 75 FKM 585    | BAUMX7   | 524450      | ● |
| 60,00          | 100,00         | 10,00 | A        | smooth        | 0,05           | 72 NBR 902    | BAU      | 8963        | ● |
| 60,00          | 110,00         | 10,00 | A        | grooved       | 0,05           | 75 FKM 585    | BAUMX7   | 478357      | ● |
| 60,00          | 110,00         | 10,00 | AS       | smooth        | 0,05           | 72 NBR 902    | BAUSLX2  | 479624      | ● |
| 60,00          | 110,00         | 10,00 | AS       | smooth        | 0,05           | 75 FKM 585    | BAUMSL   | 49012130    | ● |
| 60,00          | 110,00         | 10,00 | A        | smooth        | 0,05           | 72 NBR 902    | BAUX2    | 530010      | ● |
| 60,00          | 110,00         | 10,00 | -        | smooth        | 0,05           | 72 NBR 902    | MSS 7    | 477237      | ● |
| 60,00          | 110,00         | 12,00 | AS       | smooth        | 0,05           | 75 FKM 585    | BAUMSL   | 455631      | ● |
| 60,00          | 110,00         | 12,00 | AS       | smooth        | 0,05           | 72 NBR 902    | BAUSLX2  | 455632      | ● |
| 60,00          | 110,00         | 12,00 | -        | smooth        | 0,05           | 72 NBR 902    | MSS 1    | 525366      | ● |
| 60,00          | 110,00         | 12,00 | -        | smooth        | 0,05           | 75 FKM 585    | MSS 1    | 525369      | ● |
| 60,00          | 110,00         | 13,00 | A        | smooth        | 0,05           | 72 NBR 902    | BA       | 8965        | ● |
| 61,00          | 75,00          | 8,00  | B        | metal         | 0,05           | 72 NBR 902    | B1       | 19542       | ● |
| 61,00          | 85,00          | 13,00 | C        | metal         | 0,05           | 72 NBR 902    | B2U      | 23145       | ○ |
| 62,00          | 75,00          | 10,00 | B        | metal         | 0,05           | 72 NBR 902    | B1       | 21017       | ● |
| 62,00          | 80,00          | 10,00 | C        | metal         | 0,05           | 72 NBR 902    | B2U      | 23148       | ● |
| 62,00          | 80,00          | 10,00 | A        | smooth        | 0,05           | 72 NBR 902    | BA       | 8978        | ● |
| 62,00          | 80,00          | 12,00 | C        | metal         | 0,05           | 72 NBR 902    | B2U      | 11647       | ● |
| 62,00          | 82,00          | 5,50  | A        | metal         | un-pressurised | 80 NBR 177458 | MSC 01   | 508544      | ● |
| 62,00          | 82,00          | 5,50  | A        | metal         | un-pressurised | 80 FKM 177459 | MSC 01   | 508589      | ● |
| 62,00          | 85,00          | 7,00  | AS       | smooth        | *              | 72 NBR 902    | BABSL    | 106214      | ● |
| 62,00          | 85,00          | 7,00  | AS       | smooth        | *              | 75 FKM 595    | BABSL    | 363452      | ● |
| 62,00          | 85,00          | 10,00 | B        | metal         | 0,05           | 72 NBR 902    | B1       | 19889       | ● |
| 62,00          | 85,00          | 10,00 | C        | metal         | 0,05           | 72 NBR 902    | B2U      | 23149       | ● |
| 62,00          | 85,00          | 10,00 | A        | grooved       | 0,05           | 75 FKM 585    | BAUMX7   | 400994      | ● |
| 62,00          | 85,00          | 10,00 | A        | smooth        | 0,05           | 72 NBR 902    | BA       | 8983        | ● |
| 62,00          | 85,00          | 12,00 | C        | metal         | 0,05           | 72 NBR 902    | B2       | 2503        | ● |
| 62,00          | 85,00          | 13,00 | C        | metal         | 0,05           | 72 NBR 902    | B2U      | 23150       | ● |
| 62,00          | 85,00          | 13,00 | CS       | metal         | 0,05           | 72 NBR 902    | B2USL    | 23433       | ● |
| 62,00          | 90,00          | 10,00 | C        | metal         | 0,05           | 72 NBR 902    | B2U      | 22780       | ● |
| 62,00          | 90,00          | 10,00 | B        | metal         | 0,05           | 72 NBR 902    | B1       | 31506       | ● |
| 62,00          | 90,00          | 10,00 | A        | grooved       | 0,02           | 72 NBR 902    | BAFUDX7  | 334847      | ● |
| 62,00          | 90,00          | 10,00 | A        | grooved       | 0,05           | 75 FKM 585    | BAUMX7   | 402395      | ● |
| 62,00          | 90,00          | 10,00 | AS       | grooved       | 0,05           | 75 FKM 585    | BAUMSLX7 | 520029      | ○ |

● Available from stock    ○ On request: Tool is available, delivery at short notice    \* → Diagram 2, page 18

| d <sub>1</sub> | d <sub>2</sub> | b     | DIN 3761 | Outer surface | Pressure       | Material      | Type     | Article No. |   |
|----------------|----------------|-------|----------|---------------|----------------|---------------|----------|-------------|---|
| 62,00          | 90,00          | 10,00 | A        | smooth        | 0,05           | 72 NBR 902    | BAU      | 523562      | ○ |
| 62,00          | 90,00          | 12,00 | C        | metal         | 0,05           | 72 NBR 902    | B2U      | 23151       | ● |
| 62,00          | 90,00          | 12,00 | AS       | smooth        | 0,05           | 72 NBR 902    | BAUSLX2  | 470364      | ● |
| 62,00          | 90,00          | 12,00 | AS       | smooth        | 0,05           | 75 FKM 585    | BAUMSL   | 470365      | ● |
| 62,00          | 90,00          | 12,00 | –        | smooth        | 0,05           | 72 NBR 902    | MSS 1    | 525384      | ● |
| 62,00          | 90,00          | 12,00 | –        | smooth        | 0,05           | 75 FKM 585    | MSS 1    | 525422      | ● |
| 62,00          | 90,00          | 13,00 | B        | metal         | 0,05           | 72 NBR 902    | B1U      | 19890       | ● |
| 62,00          | 95,00          | 13,00 | B        | metal         | 0,05           | 72 NBR 902    | B1U      | 19891       | ● |
| 62,00          | 100,00         | 13,00 | C        | metal         | 0,05           | 72 NBR 902    | B2       | 23152       | ● |
| 62,00          | 120,00         | 12,00 | AS       | smooth        | 0,05           | 72 NBR 902    | BAUSLX2  | 470345      | ● |
| 62,00          | 120,00         | 12,00 | AS       | smooth        | 0,05           | 75 FKM 585    | BAUMSL   | 470347      | ● |
| 62,00          | 120,00         | 12,00 | –        | smooth        | 0,05           | 72 NBR 902    | MSS 1    | 525400      | ● |
| 63,00          | 85,00          | 10,00 | B        | metal         | 0,05           | 72 NBR 902    | B1       | 18195       | ● |
| 63,00          | 85,00          | 10,00 | C        | metal         | 0,05           | 72 NBR 902    | B2U      | 23153       | ● |
| 63,00          | 85,00          | 10,00 | A        | smooth        | 0,05           | 72 NBR 902    | BAU      | 2794        | ● |
| 63,00          | 85,00          | 10,00 | A        | grooved       | 0,05           | 75 FKM 585    | BAUMX7   | 411527      | ● |
| 63,00          | 85,00          | 12,00 | C        | metal         | 0,05           | 72 NBR 902    | B2U      | 14876       | ● |
| 63,00          | 85,00          | 13,00 | C        | metal         | 0,05           | 72 NBR 902    | B2       | 23154       | ● |
| 63,00          | 90,00          | 10,00 | A        | smooth        | 0,05           | 72 NBR 902    | BA       | 14877       | ● |
| 63,00          | 90,00          | 10,00 | AS       | grooved       | 0,05           | 75 FKM 585    | BAUMSLX7 | 410417      | ● |
| 63,00          | 90,00          | 10,00 | A        | grooved       | 0,05           | 75 FKM 585    | BAUMX7   | 411528      | ● |
| 63,00          | 90,00          | 12,00 | C        | metal         | 0,05           | 72 NBR 902    | B2       | 2792        | ● |
| 63,50          | 82,55          | 9,50  | C        | metal         | 0,05           | 72 NBR 902    | B2U      | 23156       | ● |
| 64,00          | 80,00          | 8,00  | A        | smooth        | 0,02           | 72 NBR 902    | BAFUD    | 12011006    | ● |
| 64,00          | 80,00          | 8,00  | B        | metal         | 0,05           | 72 NBR 902    | B1       | 121796      | ● |
| 64,00          | 80,00          | 13,00 | C        | metal         | 0,05           | 72 NBR 902    | B2       | 22781       | ● |
| 64,00          | 85,00          | 10,00 | C        | metal         | 0,05           | 72 NBR 902    | B2U      | 23545       | ● |
| 64,00          | 85,00          | 13,00 | C        | metal         | 0,05           | 72 NBR 902    | B2U      | 23160       | ● |
| 64,00          | 90,00          | 10,00 | C        | metal         | 0,05           | 72 NBR 902    | B2U      | 22782       | ● |
| 64,00          | 90,00          | 10,00 | AS       | grooved       | 0,05           | 75 FKM 585    | BAUMSLX7 | 532938      | ● |
| 64,00          | 90,00          | 10,00 | A        | smooth        | 0,05           | 72 NBR 902    | BA       | 9003        | ● |
| 64,00          | 90,00          | 13,00 | B        | metal         | 0,05           | 72 NBR 902    | B1USL    | 20108       | ● |
| 64,00          | 90,00          | 13,00 | C        | metal         | 0,05           | 72 NBR 902    | B2       | 23161       | ● |
| 64,00          | 90,00          | 13,00 | CS       | metal         | 0,05           | 72 NBR 902    | B2USL    | 23454       | ● |
| 65,00          | 75,00          | 8,00  | B        | metal         | un-pressurised | 72 NBR 902    | B1OF     | 532635      | ● |
| 65,00          | 80,00          | 7,00  | AS       | smooth        | *              | 72 NBR 902    | BABSL    | 12001711    | ● |
| 65,00          | 80,00          | 7,00  | B        | metal         | 0,05           | 72 NBR 902    | B1USL    | 37031       | ○ |
| 65,00          | 80,00          | 8,00  | B        | metal         | 0,02           | 72 NBR 902    | B1FUD    | 334402      | ● |
| 65,00          | 80,00          | 8,00  | A        | grooved       | 0,02           | 72 NBR 902    | BAFUDX7  | 355414      | ● |
| 65,00          | 80,00          | 8,00  | B        | metal         | 0,02           | 75 FKM 595    | B1FUD    | 459463      | ○ |
| 65,00          | 80,00          | 8,00  | AS       | grooved       | 0,05           | 75 FKM 585    | BAUMSLX7 | 474109      | ● |
| 65,00          | 80,00          | 8,00  | AS       | grooved       | 0,05           | 72 NBR 902    | BAUSLX7  | 49033418    | ○ |
| 65,00          | 80,00          | 8,00  | A        | grooved       | 0,05           | 75 FKM 585    | BAUMX7   | 520225      | ● |
| 65,00          | 80,00          | 10,00 | C        | metal         | up to 1 MPa    | PTFE F56101   | B2PT     | 406826      | ● |
| 65,00          | 85,00          | 5,50  | A        | metal         | un-pressurised | 80 NBR 177458 | MSC 01   | 508546      | ● |
| 65,00          | 85,00          | 5,50  | A        | metal         | un-pressurised | 80 FKM 177459 | MSC 01   | 508590      | ● |
| 65,00          | 85,00          | 10,00 | AS       | smooth        | 0,02           | 72 NBR 902    | BAFUDSL  | 12011195    | ● |
| 65,00          | 85,00          | 10,00 | A        | grooved       | 0,02           | 72 NBR 902    | BAFUDX7  | 334324      | ● |
| 65,00          | 85,00          | 10,00 | B        | metal         | 0,02           | 72 NBR 902    | B1FUD    | 334375      | ● |
| 65,00          | 85,00          | 10,00 | C        | metal         | 0,02           | 72 NBR 902    | B2FUD    | 334697      | ● |

● Available from stock    ○ On request: Tool is available, delivery at short notice    \* → Diagram 2, page 18

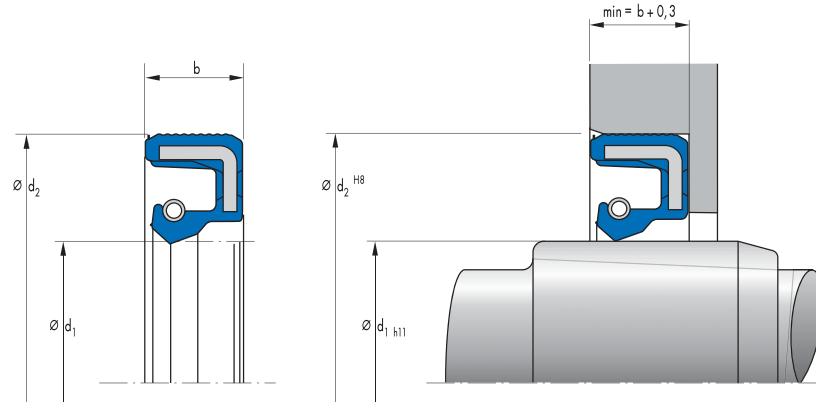


| $d_1$ | $d_2$ | b     | DIN 3761 | Outer surface | Pressure       | Material      | Type      | Article No. |   |
|-------|-------|-------|----------|---------------|----------------|---------------|-----------|-------------|---|
| 65,00 | 85,00 | 10,00 | C        | metal         | 0,05           | 75 FKM 585    | B2U       | 389134      | ○ |
| 65,00 | 85,00 | 10,00 | A        | grooved       | 0,05           | 75 FKM 585    | BAUMX7    | 389826      | ● |
| 65,00 | 85,00 | 10,00 | AS       | grooved       | 0,05           | 75 FKM 585    | BAUMSLX7  | 389999      | ● |
| 65,00 | 85,00 | 10,00 | B        | metal         | 0,05           | 75 FKM 595    | B1U       | 405903      | ○ |
| 65,00 | 85,00 | 10,00 | C        | metal         | up to 1 MPa    | PTFE F56101   | B2PT      | 406827      | ● |
| 65,00 | 85,00 | 10,00 | AS       | smooth        | *              | 75 FKM 595    | BABSL     | 49017957    | ○ |
| 65,00 | 85,00 | 10,00 | A        | smooth        | 0,05           | 72 NBR 902    | BAU       | 9011        | ○ |
| 65,00 | 85,00 | 12,00 | C        | metal         | 0,02           | 72 NBR 902    | B2FUD     | 334696      | ● |
| 65,00 | 85,00 | 12,00 | A        | grooved       | 0,05           | 75 FKM 585    | BAUMX7    | 389292      | ● |
| 65,00 | 85,00 | 12,00 | AS       | smooth        | 0,05           | 72 NBR 902    | BAUSLX2   | 470431      | ● |
| 65,00 | 85,00 | 12,00 | AS       | smooth        | 0,05           | 75 FKM 585    | BAUMSL    | 470432      | ● |
| 65,00 | 85,00 | 12,00 | -        | smooth        | 0,05           | 72 NBR 902    | MSS 1     | 525383      | ● |
| 65,00 | 85,00 | 13,00 | BS       | metal         | 0,05           | 75 FKM 595    | B1SL      | 322198      | ○ |
| 65,00 | 85,00 | 13,00 | C        | metal         | 0,02           | 72 NBR 902    | B2FUD     | 334336      | ● |
| 65,00 | 85,00 | 13,00 | B        | metal         | 0,02           | 72 NBR 902    | B1FUD     | 334683      | ● |
| 65,00 | 85,00 | 13,00 | BS       | metal         | 0,02           | 72 NBR 902    | B1FUDSL   | 335118      | ● |
| 65,00 | 85,00 | 13,00 | AS       | grooved       | 0,02           | 72 NBR 902    | BAFUDSLX7 | 355410      | ● |
| 65,00 | 85,00 | 13,00 | A        | smooth        | 0,05           | 72 NBR 902    | BA        | 9015        | ● |
| 65,00 | 87,00 | 7,50  | A        | metal         | un-pressurised | 80 FKM 177459 | MSC 02    | 508615      | ● |
| 65,00 | 87,00 | 7,50  | A        | metal         | un-pressurised | 80 NBR 177458 | MSC 02    | 508639      | ● |
| 65,00 | 90,00 | 7,00  | AS       | smooth        | *              | 72 NBR 902    | BABSL     | 146271      | ● |
| 65,00 | 90,00 | 7,00  | AS       | smooth        | *              | 75 FKM 595    | BABSL     | 418822      | ● |
| 65,00 | 90,00 | 8,00  | AS       | smooth        | 0,05           | 72 NBR 902    | BAUSLX2   | 49017459    | ● |
| 65,00 | 90,00 | 8,00  | AS       | smooth        | 0,05           | 75 FKM 585    | BAUMSL    | 49017460    | ● |
| 65,00 | 90,00 | 10,00 | B        | metal         | 0,05           | 72 NBR 902    | B1USL     | 20163       | ● |
| 65,00 | 90,00 | 10,00 | B        | metal         | 0,02           | 72 NBR 902    | B1FUD     | 334662      | ● |
| 65,00 | 90,00 | 10,00 | C        | metal         | 0,02           | 72 NBR 902    | B2FUD     | 334664      | ● |
| 65,00 | 90,00 | 10,00 | A        | grooved       | 0,05           | 75 FKM 585    | BAUMX7    | 403074      | ● |
| 65,00 | 90,00 | 10,00 | AS       | grooved       | 0,05           | 75 FKM 585    | BAUMSLX7  | 416246      | ● |
| 65,00 | 90,00 | 10,00 | B        | metal         | 0,02           | 72 NBR 902    | B1FUD     | 424794      | ○ |
| 65,00 | 90,00 | 10,00 | B        | metal         | 0,05           | 72 NBR 902    | B1USL     | 436123      | ○ |
| 65,00 | 90,00 | 10,00 | AS       | smooth        | 0,05           | 72 NBR 902    | BAUSLX2   | 524504      | ● |
| 65,00 | 90,00 | 10,00 | A        | smooth        | 0,05           | 72 NBR 902    | BAUX2     | 527119      | ● |
| 65,00 | 90,00 | 10,00 | B        | metal         | 0,05           | 75 FKM 595    | B1USL     | 533459      | ○ |
| 65,00 | 90,00 | 12,00 | C        | metal         | 0,02           | 72 NBR 902    | B2FUD     | 334352      | ● |
| 65,00 | 90,00 | 12,00 | B        | metal         | 0,02           | 72 NBR 902    | B1FUD     | 334661      | ● |

● Available from stock    ○ On request: Tool is available, delivery at short notice    \* → Diagram 2, page 18

| d <sub>1</sub> | d <sub>2</sub> | b     | DIN 3761 | Outer surface | Pressure | Material   | Type     | Article No. |   |
|----------------|----------------|-------|----------|---------------|----------|------------|----------|-------------|---|
| 65,00          | 90,00          | 12,00 | CS       | metal         | 0,05     | 72 NBR 902 | B2USL    | 34900       | ● |
| 65,00          | 90,00          | 12,00 | A        | grooved       | 0,05     | 75 FKM 585 | BAUMX7   | 389584      | ● |
| 65,00          | 90,00          | 13,00 | B        | metal         | 0,05     | 72 NBR 902 | B1USL    | 20109       | ● |
| 65,00          | 90,00          | 13,00 | B        | metal         | 0,02     | 72 NBR 902 | B1FUD    | 334660      | ● |
| 65,00          | 90,00          | 13,00 | C        | metal         | 0,02     | 72 NBR 902 | B2FUD    | 334663      | ● |
| 65,00          | 90,00          | 13,00 | B        | metal         | 0,05     | 72 NBR 902 | B1USL    | 523400      | ● |
| 65,00          | 90,00          | 13,00 | A        | smooth        | 0,05     | 72 NBR 902 | BA       | 9030        | ● |
| 65,00          | 95,00          | 10,00 | A        | grooved       | 0,02     | 72 NBR 902 | BAFUDX7  | 334849      | ● |
| 65,00          | 95,00          | 10,00 | A        | grooved       | 0,05     | 75 FKM 585 | BAUMX7   | 411733      | ● |
| 65,00          | 95,00          | 13,00 | C        | metal         | 0,05     | 72 NBR 902 | B2U      | 23166       | ● |
| 65,00          | 100,00         | 10,00 | B        | metal         | 0,05     | 72 NBR 902 | B1U      | 21164       | ● |
| 65,00          | 100,00         | 10,00 | C        | metal         | 0,05     | 72 NBR 902 | B2U      | 22783       | ● |
| 65,00          | 100,00         | 10,00 | A        | grooved       | 0,05     | 75 FKM 585 | BAUMX7   | 401003      | ● |
| 65,00          | 100,00         | 10,00 | AS       | grooved       | 0,05     | 75 FKM 585 | BAUMSLX7 | 410408      | ● |
| 65,00          | 100,00         | 10,00 | AS       | grooved       | 0,05     | 72 NBR 902 | BAUSLX7  | 451669      | ● |
| 65,00          | 100,00         | 10,00 | A        | smooth        | 0,02     | 72 NBR 902 | BAFUD    | 49001654    | ● |
| 65,00          | 100,00         | 10,00 | AS       | smooth        | 0,05     | 72 NBR 902 | BAUSLX2  | 49001671    | ● |
| 65,00          | 100,00         | 10,00 | -        | smooth        | 0,05     | 72 NBR 902 | MSS 7    | 522350      | ● |
| 65,00          | 100,00         | 12,00 | C        | metal         | 0,05     | 72 NBR 902 | B2       | 19775       | ● |
| 65,00          | 100,00         | 12,00 | AS       | smooth        | 0,05     | 72 NBR 902 | BAUSLX2  | 470433      | ● |
| 65,00          | 100,00         | 12,00 | AS       | smooth        | 0,05     | 75 FKM 585 | BAUMSL   | 470434      | ● |
| 65,00          | 100,00         | 12,00 | A        | smooth        | 0,05     | 72 NBR 902 | BA       | 9041        | ● |
| 65,00          | 100,00         | 12,00 | -        | smooth        | 0,05     | 72 NBR 902 | MSS 1    | 525394      | ● |
| 65,00          | 100,00         | 12,00 | -        | smooth        | 0,05     | 75 FKM 585 | MSS 1    | 525426      | ● |
| 65,00          | 100,00         | 13,00 | C        | metal         | 0,05     | 72 NBR 902 | B2U      | 23167       | ● |
| 65,00          | 100,00         | 13,00 | BS       | metal         | 0,02     | 72 NBR 902 | B1FUDSL  | 335119      | ● |
| 65,00          | 110,00         | 10,00 | AS       | smooth        | 0,05     | 72 NBR 902 | BAUSLX2  | 522256      | ● |
| 65,00          | 120,00         | 10,00 | A        | grooved       | 0,05     | 72 NBR 902 | BAUX27   | 450736      | ● |
| 65,00          | 120,00         | 10,00 | AS       | grooved       | 0,05     | 72 NBR 902 | BAUSLX27 | 450737      | ● |
| 65,00          | 120,00         | 10,00 | AS       | smooth        | 0,05     | 75 FKM 585 | BAUMSL   | 49011962    | ● |
| 65,00          | 120,00         | 10,00 | A        | smooth        | 0,05     | 75 FKM 585 | BAUM     | 49012129    | ● |
| 65,00          | 120,00         | 10,00 | AS       | smooth        | 0,05     | 72 NBR 902 | BAUSLX2  | 49037439    | ● |
| 65,00          | 120,00         | 10,00 | A        | smooth        | 0,05     | 72 NBR 902 | BAUX2    | 49037440    | ● |
| 65,00          | 120,00         | 12,00 | AS       | smooth        | 0,05     | 75 FKM 585 | BAUMSL   | 455633      | ● |
| 65,00          | 120,00         | 12,00 | AS       | smooth        | 0,05     | 72 NBR 902 | BAUSLX2  | 455634      | ● |
| 65,00          | 120,00         | 12,00 | -        | smooth        | 0,05     | 72 NBR 902 | MSS 1    | 525367      | ● |
| 65,00          | 120,00         | 12,00 | -        | smooth        | 0,05     | 75 FKM 585 | MSS 1    | 525370      | ● |
| 65,00          | 140,00         | 12,00 | AS       | smooth        | 0,05     | 75 FKM 585 | BAUMSL   | 455635      | ● |
| 65,00          | 140,00         | 12,00 | AS       | smooth        | 0,05     | 72 NBR 902 | BAUSLX2  | 455636      | ● |
| 65,00          | 140,00         | 12,00 | A        | smooth        | 0,05     | 72 NBR 902 | BAUX2    | 475367      | ● |
| 65,00          | 140,00         | 12,00 | -        | smooth        | 0,05     | 72 NBR 902 | MSS 1    | 525368      | ● |
| 66,00          | 90,00          | 13,00 | C        | metal         | 0,05     | 72 NBR 902 | B2       | 23171       | ● |
| 67,00          | 80,00          | 10,00 | B        | metal         | 0,05     | 72 NBR 902 | B1       | 21022       | ● |
| 67,00          | 85,00          | 10,00 | C        | metal         | 0,02     | 72 NBR 902 | B2FUD    | 334972      | ● |
| 67,00          | 85,00          | 10,00 | C        | metal         | 0,05     | 72 NBR 902 | B2U      | 415598      | ● |
| 67,00          | 90,00          | 10,00 | C        | metal         | 0,05     | 72 NBR 902 | B2       | 22784       | ● |
| 67,00          | 90,00          | 10,00 | A        | smooth        | 0,05     | 72 NBR 902 | BAUSL    | 464665      | ○ |
| 67,00          | 90,00          | 10,00 | AS       | grooved       | 0,05     | 75 FKM 585 | BAUMSLX7 | 531790      | ● |
| 67,00          | 90,00          | 13,00 | C        | metal         | 0,05     | 72 NBR 902 | B2       | 23174       | ● |
| 68,00          | 78,00          | 7,00  | B        | metal         | 0,05     | 72 NBR 902 | B1       | 26008       | ● |

● Available from stock    ○ On request: Tool is available, delivery at short notice    \* → Diagram 2, page 18

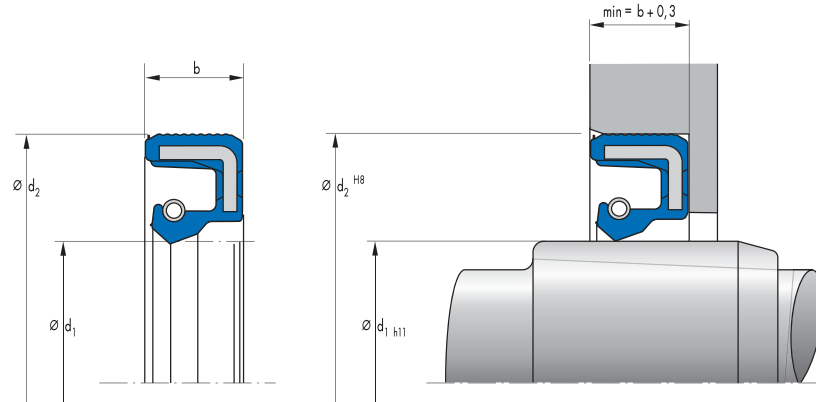


| d <sub>1</sub> | d <sub>2</sub> | b     | DIN 3761 | Outer surface | Pressure       | Material      | Type     | Article No. |   |
|----------------|----------------|-------|----------|---------------|----------------|---------------|----------|-------------|---|
| 68,00          | 80,00          | 7,00  | AS       | smooth        | *              | 72 NBR 902    | BABSL    | 323546      | ○ |
| 68,00          | 85,00          | 10,00 | B        | metal         | 0,02           | 72 NBR 902    | B1FUD    | 334403      | ● |
| 68,00          | 85,00          | 10,00 | A        | grooved       | 0,02           | 72 NBR 902    | BAFUDX7  | 411221      | ● |
| 68,00          | 87,00          | 8,00  | AS       | smooth        | 0,02           | 72 NBR 902    | BAFUDSL  | 12011197    | ● |
| 68,00          | 88,00          | 5,50  | A        | metal         | un-pressurised | 80 NBR 177458 | MSC 01   | 508547      | ● |
| 68,00          | 88,00          | 5,50  | A        | metal         | un-pressurised | 80 FKM 177459 | MSC 01   | 508591      | ● |
| 68,00          | 90,00          | 10,00 | AS       | smooth        | *              | 72 NBR 902    | BABSL    | 12011532    | ● |
| 68,00          | 90,00          | 10,00 | C        | metal         | 0,05           | 72 NBR 902    | B2       | 23176       | ● |
| 68,00          | 90,00          | 10,00 | B        | metal         | 0,05           | 72 NBR 902    | B1U      | 23827       | ● |
| 68,00          | 90,00          | 10,00 | A        | grooved       | 0,02           | 72 NBR 902    | BAFUDX7  | 355406      | ● |
| 68,00          | 90,00          | 10,00 | CS       | metal         | 0,05           | 72 NBR 902    | B2SL     | 38056       | ● |
| 68,00          | 90,00          | 10,00 | A        | grooved       | 0,05           | 75 FKM 585    | BAUMX7   | 389793      | ● |
| 68,00          | 90,00          | 10,00 | AS       | grooved       | 0,05           | 75 FKM 585    | BAUMSLX7 | 407291      | ● |
| 68,00          | 90,00          | 10,00 | B        | metal         | 0,05           | 72 NBR 902    | B1USL    | 66622       | ● |
| 68,00          | 90,00          | 10,00 | A        | smooth        | 0,05           | 72 NBR 902    | BAUSL    | 9060        | ● |
| 68,00          | 90,00          | 12,00 | C        | metal         | 0,05           | 72 NBR 902    | B2U      | 23177       | ● |
| 68,00          | 90,00          | 13,00 | B        | metal         | 0,05           | 72 NBR 902    | B1U      | 19904       | ● |
| 68,00          | 90,00          | 13,00 | BS       | metal         | 0,02           | 72 NBR 902    | B1FUDSL  | 335120      | ● |
| 68,00          | 95,00          | 13,00 | C        | metal         | 0,05           | 72 NBR 902    | B2U      | 23178       | ● |
| 68,00          | 100,00         | 10,00 | C        | metal         | 0,05           | 72 NBR 902    | B2       | 23180       | ● |
| 68,00          | 100,00         | 10,00 | A        | grooved       | 0,05           | 75 FKM 585    | BAUMX7   | 411777      | ● |
| 68,00          | 100,00         | 10,00 | A        | smooth        | 0,05           | 72 NBR 902    | BA       | 9062        | ● |
| 68,00          | 100,00         | 12,00 | C        | metal         | 0,05           | 72 NBR 902    | B2U      | 23179       | ● |
| 69,00          | 90,00          | 10,00 | A        | smooth        | 0,05           | 72 NBR 902    | BAU      | 9066        | ● |
| 69,85          | 104,75         | 14,20 | AS       | smooth        | 0,05           | 75 FKM 595    | BAUMSL   | 429414      | ○ |
| 70,00          | 80,00          | 8,00  | BS       | metal         | 0,02           | 72 NBR 902    | B1FUDSL  | 456301      | ● |
| 70,00          | 85,00          | 7,00  | A        | grooved       | 0,02           | 72 NBR 902    | BAFUDX7  | 355485      | ● |
| 70,00          | 85,00          | 8,00  | B        | metal         | 0,02           | 72 NBR 902    | B1FUD    | 334267      | ● |
| 70,00          | 85,00          | 8,00  | A        | grooved       | 0,02           | 72 NBR 902    | BAFUDX7  | 334851      | ● |
| 70,00          | 85,00          | 8,00  | BS       | metal         | 0,02           | 72 NBR 902    | B1FUDSL  | 346133      | ● |
| 70,00          | 85,00          | 8,00  | A        | grooved       | 0,05           | 75 FKM 585    | BAUMX7   | 407045      | ● |
| 70,00          | 85,00          | 8,00  | AS       | smooth        | 0,05           | 72 NBR 902    | BAUSLX2  | 524145      | ● |
| 70,00          | 85,00          | 8,00  | AS       | grooved       | 0,05           | 75 FKM 585    | BAUMSLX7 | 532958      | ● |
| 70,00          | 88,00          | 6,50  | AS       | smooth        | *              | 72 NBR 902    | BABSL    | 355823      | ○ |
| 70,00          | 90,00          | 5,50  | A        | metal         | un-pressurised | 80 NBR 177458 | MSC 01   | 508548      | ● |
| 70,00          | 90,00          | 5,50  | A        | metal         | un-pressurised | 80 FKM 177459 | MSC 01   | 508592      | ● |

● Available from stock    ○ On request: Tool is available, delivery at short notice    \* → Diagram 2, page 18

| d <sub>1</sub> | d <sub>2</sub> | b     | DIN 3761 | Outer surface | Pressure       | Material      | Type     | Article No. |   |
|----------------|----------------|-------|----------|---------------|----------------|---------------|----------|-------------|---|
| 70,00          | 90,00          | 7,00  | AS       | smooth        | *              | 72 NBR 902    | BABSL    | 3059        | ● |
| 70,00          | 90,00          | 7,00  | AS       | smooth        | *              | 75 FKM 595    | BABSL    | 49008932    | ● |
| 70,00          | 90,00          | 10,00 | B        | metal         | 0,02           | 72 NBR 902    | B1FUD    | 334647      | ● |
| 70,00          | 90,00          | 10,00 | C        | metal         | 0,02           | 72 NBR 902    | B2FUD    | 334651      | ● |
| 70,00          | 90,00          | 10,00 | A        | grooved       | 0,02           | 72 NBR 902    | BAFUDX7  | 355432      | ● |
| 70,00          | 90,00          | 10,00 | A        | grooved       | 0,05           | 75 FKM 585    | BAUMX7   | 376664      | ● |
| 70,00          | 90,00          | 10,00 | AS       | grooved       | 0,05           | 72 NBR 902    | BAUSLX7  | 376900      | ○ |
| 70,00          | 90,00          | 10,00 | C        | metal         | up to 1 MPa    | PTFE F56101   | B2PT     | 406771      | ● |
| 70,00          | 90,00          | 10,00 | B        | metal         | 0,05           | 72 NBR 902    | B1USL    | 426882      | ○ |
| 70,00          | 90,00          | 10,00 | AS       | grooved       | 0,05           | 75 FKM 585    | BAUMSLX7 | 520226      | ● |
| 70,00          | 90,00          | 10,00 | AS       | smooth        | 0,05           | 72 NBR 902    | BAUSLX2  | 524198      | ● |
| 70,00          | 90,00          | 10,00 | A        | smooth        | 0,05           | 72 NBR 902    | BAU      | 9095        | ● |
| 70,00          | 90,00          | 12,00 | B        | metal         | 0,02           | 72 NBR 902    | B1FUD    | 334649      | ● |
| 70,00          | 90,00          | 12,00 | C        | metal         | 0,02           | 72 NBR 902    | B2FUD    | 334650      | ● |
| 70,00          | 90,00          | 12,00 | A        | grooved       | 0,05           | 75 FKM 585    | BAUMX7   | 388870      | ● |
| 70,00          | 90,00          | 12,00 | AS       | smooth        | 0,05           | 75 FKM 585    | BAUMSL   | 455637      | ● |
| 70,00          | 90,00          | 12,00 | AS       | smooth        | 0,05           | 72 NBR 902    | BAUSLX2  | 455638      | ● |
| 70,00          | 90,00          | 12,00 | A        | smooth        | 0,05           | 72 NBR 902    | BAUX2    | 520465      | ● |
| 70,00          | 90,00          | 12,00 | -        | smooth        | 0,05           | 72 NBR 902    | MSS 1    | 525376      | ● |
| 70,00          | 90,00          | 13,00 | CS       | metal         | 0,05           | 72 NBR 902    | B2USL    | 23457       | ● |
| 70,00          | 90,00          | 13,00 | C        | metal         | 0,02           | 72 NBR 902    | B2FUD    | 334358      | ● |
| 70,00          | 90,00          | 13,00 | B        | metal         | 0,02           | 72 NBR 902    | B1FUD    | 334648      | ● |
| 70,00          | 90,00          | 13,00 | BS       | metal         | 0,05           | 72 NBR 902    | B1SL     | 7534        | ● |
| 70,00          | 90,00          | 13,00 | A        | smooth        | 0,05           | 72 NBR 902    | BAU      | 9101        | ● |
| 70,00          | 90,00          | 13,00 | A        | smooth        | 0,05           | 72 NBR 902    | BAUSL    | 9102        | ● |
| 70,00          | 92,00          | 7,50  | A        | metal         | un-pressurised | 80 FKM 177459 | MSC 02   | 508616      | ● |
| 70,00          | 92,00          | 7,50  | A        | metal         | un-pressurised | 80 NBR 177458 | MSC 02   | 508640      | ● |
| 70,00          | 95,00          | 8,00  | B        | metal         | 0,02           | 72 NBR 902    | B1FUD    | 310667      | ● |
| 70,00          | 95,00          | 10,00 | C        | metal         | 0,05           | 72 NBR 902    | B2U      | 22786       | ● |
| 70,00          | 95,00          | 10,00 | A        | smooth        | 0,05           | 72 NBR 902    | BAU      | 523551      | ○ |
| 70,00          | 95,00          | 10,00 | A        | smooth        | 0,05           | 72 NBR 902    | BAU      | 9106        | ● |
| 70,00          | 95,00          | 12,00 | AS       | grooved       | 0,05           | 75 FKM 585    | BAUMSLX7 | 405449      | ● |
| 70,00          | 95,00          | 13,00 | B        | metal         | 0,05           | 72 NBR 902    | B1       | 19909       | ● |
| 70,00          | 95,00          | 13,00 | C        | metal         | 0,05           | 72 NBR 902    | B2U      | 23185       | ● |
| 70,00          | 95,00          | 13,00 | BS       | metal         | 0,05           | 72 NBR 902    | B1SL     | 49010593    | ● |
| 70,00          | 95,00          | 13,00 | A        | smooth        | 0,05           | 72 NBR 902    | BAU      | 9108        | ● |
| 70,00          | 98,00          | 13,00 | C        | metal         | 0,05           | 72 NBR 902    | B2       | 23186       | ● |
| 70,00          | 100,00         | 6,00  | A        | smooth        | 0,05           | 72 NBR 902    | BA       | 9110        | ● |
| 70,00          | 100,00         | 10,00 | A        | grooved       | 0,02           | 72 NBR 902    | BAFUDX7  | 334325      | ● |
| 70,00          | 100,00         | 10,00 | B        | metal         | 0,02           | 72 NBR 902    | B1FUD    | 334699      | ● |
| 70,00          | 100,00         | 10,00 | C        | metal         | 0,02           | 72 NBR 902    | B2FUD    | 334702      | ● |
| 70,00          | 100,00         | 10,00 | A        | smooth        | 0,05           | 72 NBR 902    | BAU      | 340877      | ○ |
| 70,00          | 100,00         | 10,00 | A        | grooved       | 0,05           | 75 FKM 585    | BAUMX7   | 398035      | ● |
| 70,00          | 100,00         | 10,00 | C        | metal         | up to 1 MPa    | PTFE F56101   | B2PT     | 406829      | ● |
| 70,00          | 100,00         | 10,00 | AS       | smooth        | 0,05           | 72 NBR 902    | BAUSLX2  | 522359      | ● |
| 70,00          | 100,00         | 10,00 | A        | smooth        | 0,05           | 72 NBR 902    | BAU      | 523842      | ○ |
| 70,00          | 100,00         | 10,00 | AS       | grooved       | 0,05           | 75 FKM 585    | BAUMSLX7 | 524105      | ● |
| 70,00          | 100,00         | 12,00 | C        | metal         | 0,02           | 72 NBR 902    | B2FUD    | 334338      | ● |
| 70,00          | 100,00         | 12,00 | A        | smooth        | 0,02           | 72 NBR 902    | BAFUD    | 523564      | ● |
| 70,00          | 100,00         | 13,00 | B        | metal         | 0,02           | 72 NBR 902    | B1FUD    | 334698      | ● |

● Available from stock    ○ On request: Tool is available, delivery at short notice    \* → Diagram 2, page 18

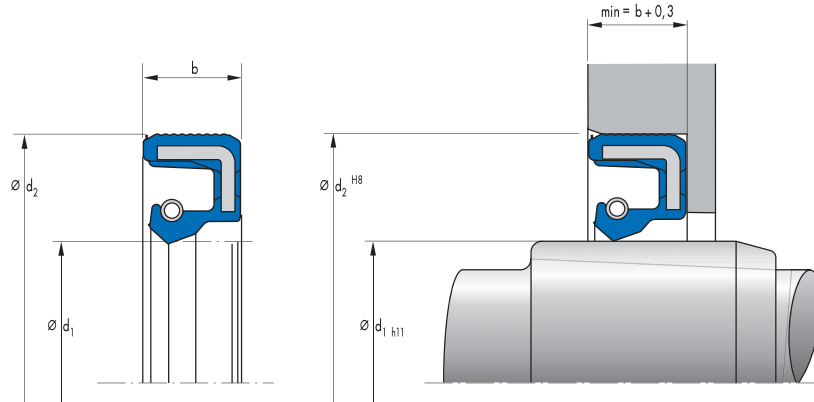


| $d_1$ | $d_2$  | b     | DIN 3761 | Outer surface | Pressure       | Material      | Type      | Article No. |   |
|-------|--------|-------|----------|---------------|----------------|---------------|-----------|-------------|---|
| 70,00 | 100,00 | 13,00 | C        | metal         | 0,02           | 72 NBR 902    | B2FUD     | 334700      | ● |
| 70,00 | 100,00 | 13,00 | A        | smooth        | 0,05           | 72 NBR 902    | BAU       | 9122        | ● |
| 70,00 | 105,00 | 13,00 | C        | metal         | 0,05           | 72 NBR 902    | B2        | 23189       | ● |
| 70,00 | 110,00 | 8,00  | A        | smooth        | 0,05           | 75 FKM 585    | BAUM      | 49012067    | ● |
| 70,00 | 110,00 | 8,00  | A        | smooth        | 0,05           | 72 NBR 902    | BAUX2     | 49033018    | ● |
| 70,00 | 110,00 | 8,00  | A        | smooth        | 0,05           | 72 NBR 902    | BAU       | 9128        | ● |
| 70,00 | 110,00 | 10,00 | AS       | grooved       | 0,05           | 72 NBR 902    | BAUSLX7   | 377886      | ● |
| 70,00 | 110,00 | 12,00 | AS       | smooth        | 0,05           | 75 FKM 585    | BAUMSL    | 455639      | ● |
| 70,00 | 110,00 | 12,00 | AS       | smooth        | 0,05           | 72 NBR 902    | BAUSLX2   | 455641      | ● |
| 70,00 | 110,00 | 12,00 | -        | smooth        | 0,05           | 72 NBR 902    | MSS 1     | 525375      | ● |
| 70,00 | 110,00 | 13,00 | B        | metal         | 0,05           | 72 NBR 902    | B1U       | 19912       | ● |
| 70,00 | 110,00 | 13,00 | C        | metal         | 0,05           | 72 NBR 902    | B2        | 23190       | ● |
| 70,00 | 110,00 | 13,00 | AS       | grooved       | 0,02           | 72 NBR 902    | BAFUDSLX7 | 407536      | ● |
| 70,00 | 110,00 | 13,00 | A        | smooth        | 0,05           | 72 NBR 902    | BAU       | 9130        | ● |
| 70,00 | 115,00 | 16,00 | A        | smooth        | 0,05           | 72 NBR 902    | BA        | 306770      | ● |
| 70,00 | 120,00 | 10,00 | AS       | grooved       | 0,02           | 72 NBR 902    | BAFUDSLX7 | 452953      | ● |
| 70,00 | 125,00 | 12,00 | AS       | smooth        | 0,05           | 72 NBR 902    | BAUSLX2   | 49011092    | ● |
| 70,00 | 125,00 | 12,00 | A        | smooth        | 0,05           | 72 NBR 902    | BAUX2     | 49011093    | ● |
| 70,00 | 130,00 | 10,00 | AS       | smooth        | 0,05           | 72 NBR 902    | BAUSLX2   | 479457      | ● |
| 70,00 | 130,00 | 10,00 | A        | smooth        | 0,05           | 72 NBR 902    | BAUX2     | 479458      | ● |
| 70,00 | 130,00 | 10,00 | AS       | smooth        | 0,05           | 75 FKM 585    | BAUMSL    | 49011951    | ● |
| 70,00 | 130,00 | 10,00 | A        | smooth        | 0,05           | 75 FKM 585    | BAUM      | 49012128    | ● |
| 70,00 | 130,00 | 10,00 | -        | smooth        | 0,05           | 72 NBR 902    | MSS 7     | 522285      | ● |
| 70,00 | 130,00 | 12,00 | AS       | smooth        | 0,05           | 72 NBR 902    | BAUSLX2   | 477908      | ● |
| 72,00 | 84,00  | 7,00  | B        | metal         | 0,05           | 72 NBR 902    | B1        | 23821       | ● |
| 72,00 | 84,00  | 7,00  | A        | grooved       | 0,05           | 75 FKM 585    | BAUMX7    | 410718      | ● |
| 72,00 | 84,00  | 18,00 | B        | metal         | 0,02           | 72 NBR 902    | B1FUD     | 408294      | ● |
| 72,00 | 90,00  | 10,00 | C        | metal         | 0,05           | 72 NBR 902    | B2U       | 22788       | ● |
| 72,00 | 90,00  | 10,00 | A        | smooth        | 0,05           | 75 FKM 595    | BAUM      | 418071      | ○ |
| 72,00 | 90,00  | 10,00 | A        | smooth        | 0,05           | 72 NBR 902    | BAUX2     | 49025290    | ● |
| 72,00 | 90,00  | 10,00 | A        | smooth        | 0,05           | 72 NBR 902    | BA        | 9137        | ● |
| 72,00 | 90,00  | 13,00 | C        | metal         | 0,05           | 72 NBR 902    | B2U       | 22789       | ● |
| 72,00 | 92,00  | 5,50  | A        | metal         | un-pressurised | 80 NBR 177458 | MSC 01    | 508549      | ● |
| 72,00 | 92,00  | 5,50  | A        | metal         | un-pressurised | 80 FKM 177459 | MSC 01    | 508593      | ● |
| 72,00 | 95,00  | 10,00 | B        | metal         | 0,05           | 72 NBR 902    | B1U       | 10761       | ● |
| 72,00 | 95,00  | 10,00 | C        | metal         | 0,05           | 72 NBR 902    | B2U       | 23192       | ● |

● Available from stock    ○ On request: Tool is available, delivery at short notice    \* → Diagram 2, page 18

| d <sub>1</sub> | d <sub>2</sub> | b     | DIN 3761 | Outer surface | Pressure       | Material      | Type      | Article No. |   |
|----------------|----------------|-------|----------|---------------|----------------|---------------|-----------|-------------|---|
| 72,00          | 95,00          | 10,00 | A        | grooved       | 0,02           | 72 NBR 902    | BAFUDX7   | 366669      | ● |
| 72,00          | 95,00          | 10,00 | A        | grooved       | 0,05           | 75 FKM 585    | BAUMX7    | 411780      | ● |
| 72,00          | 95,00          | 10,00 | AS       | grooved       | 0,02           | 72 NBR 902    | BAFUDSLX7 | 437162      | ● |
| 72,00          | 95,00          | 12,00 | C        | metal         | 0,05           | 72 NBR 902    | B2U       | 2634        | ● |
| 72,00          | 95,00          | 12,00 | AS       | smooth        | 0,05           | 72 NBR 902    | BAUSLX2   | 470366      | ● |
| 72,00          | 95,00          | 12,00 | AS       | smooth        | 0,05           | 75 FKM 585    | BAUMSL    | 470367      | ● |
| 72,00          | 95,00          | 12,00 | –        | smooth        | 0,05           | 72 NBR 902    | MSS 1     | 525386      | ● |
| 72,00          | 95,00          | 12,00 | –        | smooth        | 0,05           | 75 FKM 585    | MSS 1     | 525423      | ● |
| 72,00          | 95,00          | 13,00 | B        | metal         | 0,05           | 72 NBR 902    | B1U       | 19914       | ● |
| 72,00          | 95,00          | 13,00 | C        | metal         | 0,05           | 75 FKM 595    | B2        | 322085      | ○ |
| 72,00          | 95,00          | 13,00 | BS       | metal         | 0,05           | 72 NBR 902    | B1SL      | 3513        | ● |
| 72,00          | 95,00          | 13,00 | C        | metal         | 0,05           | 72 NBR 902    | B2U       | 4774        | ● |
| 72,00          | 100,00         | 10,00 | B        | metal         | 0,05           | 72 NBR 902    | B1        | 19915       | ● |
| 72,00          | 100,00         | 10,00 | C        | metal         | 0,05           | 72 NBR 902    | B2U       | 23194       | ● |
| 72,00          | 100,00         | 10,00 | A        | grooved       | 0,05           | 75 FKM 585    | BAUMX7    | 401034      | ● |
| 72,00          | 100,00         | 10,00 | C        | metal         | up to 1 MPa    | PTFE F56101   | B2PT      | 406831      | ● |
| 72,00          | 100,00         | 10,00 | AS       | grooved       | 0,05           | 75 FKM 585    | BAUMSLX7  | 407289      | ● |
| 72,00          | 100,00         | 10,00 | A        | smooth        | 0,05           | 72 NBR 902    | BAU       | 523565      | ○ |
| 72,00          | 100,00         | 10,00 | A        | smooth        | 0,05           | 72 NBR 902    | BAU       | 9142        | ● |
| 72,00          | 100,00         | 12,00 | C        | metal         | 0,05           | 72 NBR 902    | B2        | 16196       | ● |
| 72,00          | 100,00         | 12,00 | A        | grooved       | 0,02           | 72 NBR 902    | BAFUDX7   | 520460      | ● |
| 72,00          | 100,00         | 13,00 | C        | metal         | 0,05           | 72 NBR 902    | B2        | 23195       | ● |
| 72,00          | 105,00         | 13,00 | B        | metal         | 0,05           | 72 NBR 902    | B1USL     | 153821      | ● |
| 72,00          | 105,00         | 13,00 | C        | metal         | 0,05           | 72 NBR 902    | B2        | 23196       | ● |
| 72,00          | 110,00         | 13,00 | C        | metal         | 0,05           | 72 NBR 902    | B2        | 23197       | ● |
| 72,00          | 130,00         | 12,00 | AS       | smooth        | 0,05           | 72 NBR 902    | BAUSLX2   | 523524      | ● |
| 72,00          | 140,00         | 12,00 | AS       | smooth        | 0,05           | 72 NBR 902    | BAUSLX2   | 470349      | ● |
| 72,00          | 140,00         | 12,00 | AS       | smooth        | 0,05           | 75 FKM 585    | BAUMSL    | 470351      | ● |
| 72,00          | 140,00         | 12,00 | –        | smooth        | 0,05           | 72 NBR 902    | MSS 1     | 525403      | ● |
| 72,00          | 140,00         | 12,00 | –        | smooth        | 0,05           | 75 FKM 585    | MSS 1     | 525432      | ● |
| 73,00          | 95,00          | 10,00 | C        | metal         | 0,05           | 72 NBR 902    | B2U       | 22790       | ● |
| 73,00          | 100,00         | 13,00 | C        | metal         | 0,05           | 72 NBR 902    | B2        | 23198       | ● |
| 73,03          | 95,25          | 12,70 | BS       | metal         | 0,02           | 72 NBR 902    | B1FUDSL   | 402902      | ○ |
| 74,00          | 90,00          | 10,00 | C        | metal         | 0,05           | 72 NBR 902    | B2U       | 22792       | ● |
| 74,00          | 90,00          | 10,00 | A        | smooth        | 0,05           | 72 NBR 902    | BA        | 9149        | ● |
| 74,00          | 95,00          | 10,00 | C        | metal         | 0,05           | 72 NBR 902    | B2U       | 22793       | ● |
| 74,00          | 95,00          | 10,00 | A        | grooved       | 0,02           | 72 NBR 902    | BAFUDX7   | 334852      | ● |
| 74,00          | 100,00         | 13,00 | C        | metal         | 0,05           | 72 NBR 902    | B2        | 23200       | ● |
| 75,00          | 90,00          | 8,00  | A        | smooth        | 0,05           | 72 NBR 902    | BAUX2     | 49024277    | ● |
| 75,00          | 90,00          | 8,00  | A        | grooved       | 0,05           | 75 FKM 585    | BAUMX7    | 520865      | ● |
| 75,00          | 90,00          | 8,00  | A        | smooth        | 0,05           | 72 NBR 902    | BAU       | 9157        | ● |
| 75,00          | 90,00          | 10,00 | AS       | smooth        | *              | 72 NBR 902    | BABSL     | 12001716    | ● |
| 75,00          | 90,00          | 10,00 | A        | grooved       | 0,05           | 75 FKM 585    | BAUMX7    | 435005      | ● |
| 75,00          | 90,00          | 10,00 | AS       | grooved       | 0,05           | 75 FKM 585    | BAUMSLX7  | 468762      | ● |
| 75,00          | 90,00          | 12,00 | C        | metal         | 0,05           | 72 NBR 902    | B2U       | 22795       | ● |
| 75,00          | 90,00          | 15,00 | A        | smooth        | 0,05           | 72 NBR 902    | BADUO     | 9162        | ○ |
| 75,00          | 95,00          | 5,50  | A        | metal         | un-pressurised | 80 NBR 177458 | MSC 01    | 508550      | ● |
| 75,00          | 95,00          | 5,50  | A        | metal         | un-pressurised | 80 FKM 177459 | MSC 01    | 508594      | ● |
| 75,00          | 95,00          | 7,00  | AS       | smooth        | *              | 72 NBR 902    | BABSL     | 122853      | ● |
| 75,00          | 95,00          | 7,00  | AS       | smooth        | *              | 75 FKM 595    | BABSL     | 354069      | ● |

● Available from stock    ○ On request: Tool is available, delivery at short notice    \* → Diagram 2, page 18

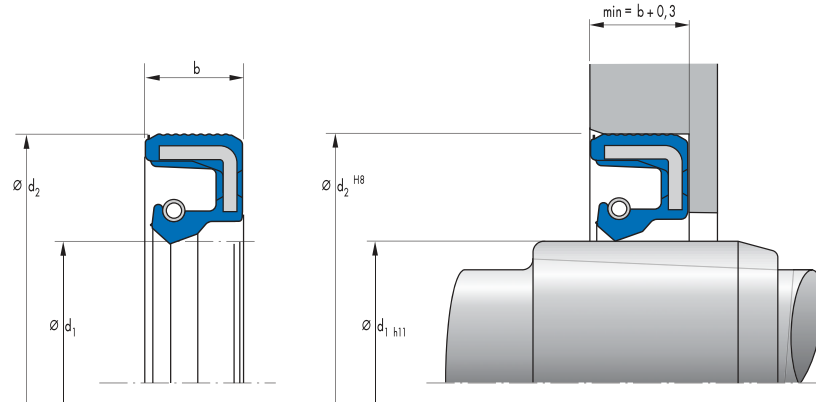


| d <sub>1</sub> | d <sub>2</sub> | b     | DIN 3761 | Outer surface | Pressure       | Material      | Type      | Article No. |   |
|----------------|----------------|-------|----------|---------------|----------------|---------------|-----------|-------------|---|
| 75,00          | 95,00          | 9,00  | AS       | smooth        | 0,02           | 72 NBR 902    | BAFUDSL   | 417887      | ● |
| 75,00          | 95,00          | 9,00  | AS       | smooth        | 0,05           | 72 NBR 902    | BASL      | 61875       | ● |
| 75,00          | 95,00          | 10,00 | AS       | smooth        | 0,02           | 72 NBR 902    | BAFUDSL   | 12011201    | ● |
| 75,00          | 95,00          | 10,00 | BS       | metal         | 0,02           | 72 NBR 902    | B1FUDSL   | 334382      | ● |
| 75,00          | 95,00          | 10,00 | C        | metal         | 0,02           | 72 NBR 902    | B2FUD     | 334596      | ● |
| 75,00          | 95,00          | 10,00 | B        | metal         | 0,02           | 72 NBR 902    | B1FUD     | 334598      | ● |
| 75,00          | 95,00          | 10,00 | AS       | smooth        | *              | 75 FKM 595    | BABSL     | 372629      | ● |
| 75,00          | 95,00          | 10,00 | A        | grooved       | 0,05           | 75 FKM 585    | BAUMX7    | 402396      | ● |
| 75,00          | 95,00          | 10,00 | C        | metal         | up to 1 MPa    | PTFE F56101   | B2PT      | 406832      | ● |
| 75,00          | 95,00          | 10,00 | A        | smooth        | 0,05           | 72 NBR 902    | BAUX2     | 49017472    | ● |
| 75,00          | 95,00          | 10,00 | AS       | grooved       | 0,05           | 75 FKM 585    | BAUMSLX7  | 521009      | ● |
| 75,00          | 95,00          | 12,00 | B        | metal         | 0,05           | 72 NBR 902    | B1USL     | 150288      | ● |
| 75,00          | 95,00          | 12,00 | C        | metal         | 0,02           | 72 NBR 902    | B2FUD     | 334595      | ● |
| 75,00          | 95,00          | 12,00 | A        | grooved       | 0,05           | 75 FKM 585    | BAUMX7    | 389609      | ● |
| 75,00          | 95,00          | 12,00 | AS       | smooth        | 0,05           | 72 NBR 902    | BAUSLX2   | 524699      | ● |
| 75,00          | 95,00          | 12,00 | A        | smooth        | 0,05           | 72 NBR 902    | BAU       | 9172        | ● |
| 75,00          | 95,00          | 13,00 | C        | metal         | 0,05           | 72 NBR 902    | B2        | 22839       | ● |
| 75,00          | 95,00          | 13,00 | B        | metal         | 0,02           | 72 NBR 902    | B1FUD     | 334597      | ● |
| 75,00          | 97,00          | 7,50  | A        | metal         | un-pressurised | 80 FKM 177459 | MSC 02    | 508617      | ● |
| 75,00          | 97,00          | 7,50  | A        | metal         | un-pressurised | 80 NBR 177458 | MSC 02    | 508641      | ● |
| 75,00          | 100,00         | 10,00 | C        | metal         | 0,02           | 72 NBR 902    | B2FUD     | 334331      | ● |
| 75,00          | 100,00         | 10,00 | B        | metal         | 0,02           | 72 NBR 902    | B1FUD     | 334539      | ● |
| 75,00          | 100,00         | 10,00 | A        | grooved       | 0,05           | 75 FKM 585    | BAUMX7    | 398031      | ● |
| 75,00          | 100,00         | 10,00 | AS       | grooved       | 0,05           | 75 FKM 585    | BAUMSLX7  | 407279      | ● |
| 75,00          | 100,00         | 10,00 | AS       | smooth        | 0,05           | 72 NBR 902    | BAUSLX2   | 524653      | ● |
| 75,00          | 100,00         | 10,00 | A        | smooth        | 0,05           | 72 NBR 902    | BAUX2     | 525285      | ● |
| 75,00          | 100,00         | 10,00 | C        | metal         | up to 1 MPa    | PTFE F56101   | B2PT      | 526214      | ● |
| 75,00          | 100,00         | 10,00 | C        | metal         | up to 1 MPa    | PTFE F56101   | B2PT      | 529452      | ○ |
| 75,00          | 100,00         | 11,00 | AS       | smooth        | *              | 72 NBR 902    | BABSL     | 477396      | ● |
| 75,00          | 100,00         | 11,00 | AS       | smooth        | *              | 75 FKM 595    | BABSL     | 523594      | ● |
| 75,00          | 100,00         | 12,00 | AS       | grooved       | 0,02           | 72 NBR 902    | BAFUDSLX7 | 334855      | ● |
| 75,00          | 100,00         | 12,00 | B        | metal         | 0,02           | 72 NBR 902    | B1FUD     | 334934      | ● |
| 75,00          | 100,00         | 12,00 | C        | metal         | 0,02           | 72 NBR 902    | B2FUD     | 334973      | ● |
| 75,00          | 100,00         | 12,00 | A        | grooved       | 0,05           | 75 FKM 585    | BAUMX7    | 389296      | ● |
| 75,00          | 100,00         | 13,00 | C        | metal         | 0,05           | 72 NBR 902    | B2        | 23529       | ● |
| 75,00          | 100,00         | 13,00 | BS       | metal         | 0,02           | 72 NBR 902    | B1FUDSL   | 334405      | ● |

● Available from stock    ○ On request: Tool is available, delivery at short notice    \* → Diagram 2, page 18

| d <sub>1</sub> | d <sub>2</sub> | b     | DIN 3761 | Outer surface | Pressure       | Material      | Type     | Article No. |   |
|----------------|----------------|-------|----------|---------------|----------------|---------------|----------|-------------|---|
| 75,00          | 100,00         | 13,00 | CS       | metal         | 0,02           | 72 NBR 902    | B2FUDSL  | 334974      | ● |
| 75,00          | 100,00         | 13,00 | A        | smooth        | 0,05           | 72 NBR 902    | BAU      | 9189        | ● |
| 75,00          | 105,00         | 12,00 | A        | smooth        | 0,02           | 72 NBR 902    | BAFUD    | 12011023    | ● |
| 75,00          | 105,00         | 13,00 | B        | metal         | 0,05           | 72 NBR 902    | B1       | 19924       | ● |
| 75,00          | 105,00         | 13,00 | C        | metal         | 0,05           | 72 NBR 902    | B2U      | 23207       | ● |
| 75,00          | 110,00         | 12,00 | A        | smooth        | 0,02           | 72 NBR 902    | BAFUD    | 12011024    | ● |
| 75,00          | 110,00         | 13,00 | AS       | smooth        | 0,02           | 72 NBR 902    | BAFUDSL  | 12000542    | ● |
| 75,00          | 110,00         | 13,00 | B        | metal         | 0,05           | 72 NBR 902    | B1U      | 19925       | ● |
| 75,00          | 110,00         | 13,00 | C        | metal         | 0,05           | 72 NBR 902    | B2U      | 23208       | ● |
| 75,00          | 115,00         | 12,00 | AS       | smooth        | 0,05           | 72 NBR 902    | BAUSLX2  | 475360      | ● |
| 75,00          | 115,00         | 12,00 | AS       | grooved       | 0,05           | 75 FKM 585    | BAUMSLX7 | 477664      | ● |
| 75,00          | 115,00         | 13,00 | C        | metal         | 0,02           | 72 NBR 902    | B2FUD    | 335192      | ● |
| 75,00          | 120,00         | 12,00 | A        | grooved       | 0,05           | 72 NBR 902    | BAUX27   | 450738      | ● |
| 75,00          | 120,00         | 12,00 | AS       | grooved       | 0,05           | 72 NBR 902    | BAUSLX27 | 451194      | ● |
| 75,00          | 120,00         | 12,00 | AS       | smooth        | 0,05           | 75 FKM 585    | BAUMSL   | 49012063    | ● |
| 75,00          | 120,00         | 12,00 | A        | smooth        | 0,05           | 75 FKM 585    | BAUM     | 49013714    | ● |
| 75,00          | 125,00         | 12,00 | AS       | smooth        | 0,05           | 75 FKM 595    | BAUMSL   | 474897      | ○ |
| 75,00          | 130,00         | 10,00 | AS       | smooth        | 0,05           | 72 NBR 902    | BAUSLX2  | 477279      | ● |
| 75,00          | 130,00         | 12,00 | AS       | smooth        | 0,05           | 75 FKM 585    | BAUMSL   | 455642      | ● |
| 75,00          | 130,00         | 12,00 | AS       | smooth        | 0,05           | 72 NBR 902    | BAUSLX2  | 455643      | ● |
| 75,00          | 130,00         | 12,00 | -        | smooth        | 0,05           | 72 NBR 902    | MSS 1    | 525377      | ● |
| 76,00          | 95,00          | 10,00 | B        | metal         | 0,05           | 72 NBR 902    | B1       | 19927       | ● |
| 76,00          | 100,00         | 10,00 | A        | smooth        | 0,05           | 72 NBR 902    | BAU      | 9198        | ● |
| 76,00          | 100,00         | 13,00 | C        | metal         | 0,05           | 72 NBR 902    | B2       | 23210       | ● |
| 76,00          | 110,00         | 13,00 | C        | metal         | 0,05           | 72 NBR 902    | B2       | 23212       | ● |
| 76,20          | 101,60         | 11,90 | C        | metal         | 0,05           | 72 NBR 902    | B2U      | 23213       | ● |
| 77,00          | 95,00          | 10,00 | C        | metal         | 0,05           | 72 NBR 902    | B2U      | 22797       | ● |
| 77,00          | 100,00         | 10,00 | C        | metal         | 0,05           | 72 NBR 902    | B2U      | 22798       | ● |
| 78,00          | 95,00          | 13,00 | C        | metal         | 0,05           | 72 NBR 902    | B2       | 22799       | ● |
| 78,00          | 98,00          | 5,50  | A        | metal         | un-pressurised | 80 NBR 177458 | MSC 01   | 508551      | ● |
| 78,00          | 98,00          | 5,50  | A        | metal         | un-pressurised | 80 FKM 177459 | MSC 01   | 508595      | ● |
| 78,00          | 100,00         | 10,00 | C        | metal         | 0,05           | 72 NBR 902    | B2       | 22800       | ● |
| 78,00          | 100,00         | 10,00 | B        | metal         | 0,05           | 72 NBR 902    | B1       | 31819       | ● |
| 78,00          | 100,00         | 10,00 | A        | grooved       | 0,05           | 75 FKM 585    | BAUMX7   | 401025      | ● |
| 78,00          | 100,00         | 10,00 | A        | smooth        | 0,05           | 72 NBR 902    | BAU      | 9204        | ● |
| 78,00          | 100,00         | 12,00 | C        | metal         | 0,05           | 72 NBR 902    | B2       | 23214       | ● |
| 78,00          | 100,00         | 13,00 | BS       | metal         | 0,05           | 72 NBR 902    | B1SL     | 20173       | ● |
| 78,00          | 105,00         | 13,00 | C        | metal         | 0,05           | 72 NBR 902    | B2       | 23215       | ● |
| 78,00          | 110,00         | 13,00 | C        | metal         | 0,05           | 72 NBR 902    | B2       | 23216       | ● |
| 80,00          | 90,00          | 5,00  | A        | smooth        | un-pressurised | 72 NBR 902    | BAOF     | 389266      | ● |
| 80,00          | 95,00          | 5,00  | A        | smooth        | un-pressurised | 72 NBR 902    | BAOF     | 349011      | ● |
| 80,00          | 95,00          | 10,00 | C        | metal         | 0,05           | 72 NBR 902    | B2U      | 106305      | ● |
| 80,00          | 100,00         | 5,50  | A        | metal         | un-pressurised | 80 NBR 177458 | MSC 01   | 508552      | ● |
| 80,00          | 100,00         | 5,50  | A        | metal         | un-pressurised | 80 FKM 177459 | MSC 01   | 508597      | ● |
| 80,00          | 100,00         | 7,00  | AS       | smooth        | *              | 75 FKM 595    | BABSL    | 390171      | ● |
| 80,00          | 100,00         | 7,00  | AS       | smooth        | *              | 72 NBR 902    | BABSL    | 49001653    | ● |
| 80,00          | 100,00         | 7,50  | B        | metal         | 0,05           | 72 NBR 902    | B1USL    | 37041       | ○ |
| 80,00          | 100,00         | 10,00 | C        | metal         | 0,02           | 72 NBR 902    | B2FUD    | 334355      | ● |
| 80,00          | 100,00         | 10,00 | B        | metal         | 0,02           | 72 NBR 902    | B1FUD    | 334406      | ● |
| 80,00          | 100,00         | 10,00 | A        | grooved       | 0,05           | 75 FKM 585    | BAUMX7   | 398029      | ● |

● Available from stock    ○ On request: Tool is available, delivery at short notice    \* → Diagram 2, page 18

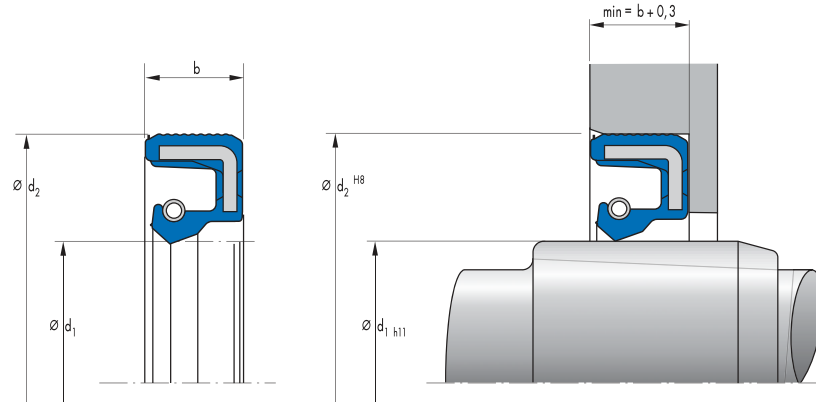


| d <sub>1</sub> | d <sub>2</sub> | b     | DIN 3761 | Outer surface | Pressure       | Material      | Type     | Article No. |   |
|----------------|----------------|-------|----------|---------------|----------------|---------------|----------|-------------|---|
| 80,00          | 100,00         | 10,00 | C        | metal         | up to 1 MPa    | PTFE F56101   | B2PT     | 406772      | ● |
| 80,00          | 100,00         | 10,00 | BS       | metal         | 0,02           | 72 NBR 902    | B1FUDSL  | 429457      | ● |
| 80,00          | 100,00         | 10,00 | AS       | grooved       | 0,05           | 75 FKM 585    | BAUMSLX7 | 468978      | ● |
| 80,00          | 100,00         | 10,00 | AS       | smooth        | 0,05           | 72 NBR 902    | BAUSLX2  | 524139      | ● |
| 80,00          | 100,00         | 10,00 | A        | smooth        | 0,02           | 72 NBR 902    | BAFUD    | 532626      | ● |
| 80,00          | 100,00         | 10,00 | A        | smooth        | 0,05           | 72 NBR 902    | BAU      | 9216        | ○ |
| 80,00          | 100,00         | 12,00 | B        | metal         | 0,05           | 72 NBR 902    | B1USL    | 331073      | ● |
| 80,00          | 100,00         | 12,00 | C        | metal         | 0,02           | 72 NBR 902    | B2FUD    | 334362      | ● |
| 80,00          | 100,00         | 12,00 | CS       | metal         | 0,05           | 72 NBR 902    | B2USL    | 34903       | ● |
| 80,00          | 100,00         | 12,00 | A        | grooved       | 0,05           | 75 FKM 585    | BAUMX7   | 388823      | ● |
| 80,00          | 100,00         | 12,00 | AS       | smooth        | 0,05           | 72 NBR 902    | BAUSLX2  | 470439      | ● |
| 80,00          | 100,00         | 12,00 | AS       | smooth        | 0,05           | 75 FKM 585    | BAUMSL   | 470440      | ● |
| 80,00          | 100,00         | 12,00 | -        | smooth        | 0,05           | 72 NBR 902    | MSS 1    | 525395      | ● |
| 80,00          | 100,00         | 12,00 | -        | smooth        | 0,05           | 75 FKM 585    | MSS 1    | 525427      | ● |
| 80,00          | 100,00         | 13,00 | AS       | smooth        | 0,02           | 72 NBR 902    | BAFUDSL  | 12011204    | ● |
| 80,00          | 100,00         | 13,00 | C        | metal         | 0,02           | 72 NBR 902    | B2FUD    | 334359      | ● |
| 80,00          | 100,00         | 13,00 | B        | metal         | 0,02           | 72 NBR 902    | B1FUD    | 335147      | ● |
| 80,00          | 100,00         | 13,00 | BS       | metal         | 0,02           | 72 NBR 902    | B1FUDSL  | 335189      | ● |
| 80,00          | 100,00         | 13,00 | CS       | metal         | 0,02           | 72 NBR 902    | B2FUDSL  | 335999      | ● |
| 80,00          | 100,00         | 13,00 | A        | smooth        | 0,05           | 72 NBR 902    | BAU      | 9221        | ● |
| 80,00          | 102,00         | 7,50  | A        | metal         | un-pressurised | 80 FKM 177459 | MSC 02   | 508618      | ● |
| 80,00          | 102,00         | 7,50  | A        | metal         | un-pressurised | 80 NBR 177458 | MSC 02   | 508642      | ● |
| 80,00          | 105,00         | 7,50  | AS       | smooth        | *              | 75 FKM 595    | BABSL    | 418858      | ● |
| 80,00          | 105,00         | 13,00 | B        | metal         | 0,05           | 72 NBR 902    | B1USL    | 20176       | ● |
| 80,00          | 105,00         | 13,00 | A        | grooved       | 0,02           | 72 NBR 902    | BAFUDX7  | 334326      | ● |
| 80,00          | 105,00         | 13,00 | B        | metal         | 0,02           | 72 NBR 902    | B1FUD    | 355629      | ● |
| 80,00          | 105,00         | 13,00 | C        | metal         | 0,02           | 72 NBR 902    | B2FUD    | 356384      | ● |
| 80,00          | 105,00         | 13,00 | A        | smooth        | 0,05           | 72 NBR 902    | BAU      | 523566      | ○ |
| 80,00          | 105,00         | 15,00 | B        | metal         | 0,05           | 72 NBR 902    | B1U      | 331070      | ● |
| 80,00          | 110,00         | 8,00  | A        | smooth        | 0,05           | 72 NBR 902    | BAUX2    | 524780      | ● |
| 80,00          | 110,00         | 10,00 | B        | metal         | 0,05           | 72 NBR 902    | B1       | 19932       | ● |
| 80,00          | 110,00         | 10,00 | A        | grooved       | 0,05           | 75 FKM 585    | BAUMX7   | 397823      | ● |
| 80,00          | 110,00         | 10,00 | C        | metal         | up to 1 MPa    | PTFE F56101   | B2PT     | 406833      | ● |
| 80,00          | 110,00         | 10,00 | AS       | grooved       | 0,05           | 75 FKM 585    | BAUMSLX7 | 427699      | ● |
| 80,00          | 110,00         | 10,00 | A        | smooth        | 0,05           | 72 NBR 902    | BAUX2    | 49033031    | ● |
| 80,00          | 110,00         | 10,00 | AS       | smooth        | *              | 72 NBR 902    | BABSL    | 49043290    | ● |

● Available from stock    ○ On request: Tool is available, delivery at short notice    \* → Diagram 2, page 18

| d <sub>1</sub> | d <sub>2</sub> | b     | DIN 3761 | Outer surface | Pressure | Material   | Type     | Article No. |   |
|----------------|----------------|-------|----------|---------------|----------|------------|----------|-------------|---|
| 80,00          | 110,00         | 10,00 | AS       | smooth        | 0,05     | 72 NBR 902 | BAUSLX2  | 524503      | ● |
| 80,00          | 110,00         | 12,00 | C        | metal         | 0,05     | 72 NBR 902 | B2U      | 11434       | ● |
| 80,00          | 110,00         | 12,00 | A        | smooth        | 0,02     | 72 NBR 902 | BAFUD    | 12011030    | ● |
| 80,00          | 110,00         | 13,00 | A        | smooth        | 0,02     | 72 NBR 902 | BAFUD    | 12011031    | ● |
| 80,00          | 110,00         | 13,00 | B        | metal         | 0,05     | 72 NBR 902 | B1U      | 19933       | ● |
| 80,00          | 110,00         | 13,00 | C        | metal         | 0,05     | 72 NBR 902 | B2U      | 23223       | ● |
| 80,00          | 110,00         | 13,00 | BS       | metal         | 0,05     | 72 NBR 902 | B1SL     | 409545      | ● |
| 80,00          | 115,00         | 10,00 | A        | smooth        | 0,05     | 72 NBR 902 | BA       | 9234        | ● |
| 80,00          | 115,00         | 13,00 | B        | metal         | 0,05     | 72 NBR 902 | B1U      | 19935       | ● |
| 80,00          | 120,00         | 13,00 | A        | smooth        | 0,02     | 72 NBR 902 | BAFUD    | 12011033    | ● |
| 80,00          | 120,00         | 13,00 | C        | metal         | 0,05     | 72 NBR 902 | B2       | 23224       | ● |
| 80,00          | 125,00         | 10,00 | –        | smooth        | 0,05     | 72 NBR 902 | MSS 7    | 522349      | ● |
| 80,00          | 125,00         | 12,00 | AS       | smooth        | 0,05     | 72 NBR 902 | BAUSLX2  | 470441      | ● |
| 80,00          | 125,00         | 12,00 | AS       | smooth        | 0,05     | 75 FKM 585 | BAUMSL   | 470442      | ● |
| 80,00          | 125,00         | 12,00 | AS       | smooth        | *        | 72 NBR 902 | BABSL    | 49043291    | ● |
| 80,00          | 125,00         | 12,00 | –        | smooth        | 0,05     | 72 NBR 902 | MSS 1    | 525402      | ● |
| 80,00          | 125,00         | 13,00 | C        | metal         | 0,05     | 72 NBR 902 | B2U      | 23225       | ● |
| 80,00          | 125,00         | 13,00 | A        | grooved       | 0,05     | 72 NBR 902 | BAUX27   | 453163      | ● |
| 80,00          | 140,00         | 13,00 | AS       | grooved       | 0,05     | 72 NBR 902 | BAUSLX27 | 453165      | ● |
| 80,00          | 140,00         | 13,00 | A        | grooved       | 0,05     | 72 NBR 902 | BAUX27   | 453166      | ● |
| 80,00          | 140,00         | 13,00 | AS       | grooved       | 0,05     | 75 FKM 585 | BAUMSLX7 | 477666      | ● |
| 80,00          | 140,00         | 13,00 | A        | grooved       | 0,05     | 75 FKM 585 | BAUMX7   | 49012109    | ● |
| 80,00          | 140,00         | 13,00 | A        | smooth        | 0,05     | 72 NBR 902 | BAUX2    | 49037441    | ● |
| 80,00          | 140,00         | 13,00 | AS       | smooth        | 0,05     | 72 NBR 902 | BAUSLX2  | 49037452    | ● |
| 80,00          | 150,00         | 12,00 | –        | smooth        | 0,05     | 72 NBR 902 | MSS 7    | 522286      | ● |
| 80,00          | 150,00         | 15,00 | AS       | smooth        | 0,05     | 72 NBR 902 | BAUSLX2  | 520449      | ● |
| 80,00          | 150,00         | 15,00 | AS       | smooth        | 0,05     | 75 FKM 585 | BAUMSL   | 520739      | ● |
| 80,00          | 170,00         | 13,00 | AS       | smooth        | 0,05     | 72 NBR 902 | BAUSLX2  | 434902      | ● |
| 80,00          | 170,00         | 13,00 | AS       | smooth        | 0,05     | 75 FKM 585 | BAUMSL   | 439857      | ● |
| 81,00          | 100,00         | 10,00 | C        | metal         | 0,05     | 72 NBR 902 | B2       | 22803       | ● |
| 81,00          | 100,00         | 13,00 | C        | metal         | 0,05     | 72 NBR 902 | B2       | 22804       | ● |
| 82,00          | 100,00         | 10,00 | A        | grooved       | 0,05     | 75 FKM 585 | BAUMX7   | 460327      | ● |
| 82,00          | 105,00         | 10,00 | AS       | smooth        | 0,05     | 72 NBR 902 | BAUSLX2  | 529148      | ● |
| 82,00          | 105,00         | 10,00 | AS       | smooth        | 0,05     | 72 NBR 902 | BASL     | 9242        | ● |
| 82,00          | 105,00         | 12,00 | A        | smooth        | 0,05     | 72 NBR 902 | BAU      | 9244        | ● |
| 82,00          | 105,00         | 13,00 | C        | metal         | 0,05     | 72 NBR 902 | B2U      | 23227       | ● |
| 82,00          | 110,00         | 13,00 | C        | metal         | 0,05     | 72 NBR 902 | B2       | 23228       | ● |
| 82,00          | 120,00         | 13,00 | AS       | smooth        | 0,05     | 72 NBR 902 | BAUSLX2  | 470376      | ● |
| 82,00          | 120,00         | 13,00 | AS       | smooth        | 0,05     | 75 FKM 585 | BAUMSL   | 470378      | ● |
| 82,00          | 120,00         | 13,00 | –        | smooth        | 0,05     | 72 NBR 902 | MSS 1    | 525401      | ● |
| 82,00          | 160,00         | 13,00 | AS       | smooth        | 0,05     | 72 NBR 902 | BAUSLX2  | 470381      | ● |
| 82,00          | 160,00         | 13,00 | AS       | smooth        | 0,05     | 75 FKM 585 | BAUMSL   | 470382      | ● |
| 82,00          | 160,00         | 13,00 | –        | smooth        | 0,05     | 72 NBR 902 | MSS 1    | 525407      | ● |
| 82,00          | 160,00         | 13,00 | –        | smooth        | 0,05     | 75 FKM 585 | MSS 1    | 525437      | ○ |
| 82,55          | 114,30         | 13,00 | C        | metal         | 0,05     | 72 NBR 902 | B2U      | 20656       | ○ |
| 84,00          | 105,00         | 13,00 | C        | metal         | 0,05     | 72 NBR 902 | B2U      | 23231       | ● |
| 84,00          | 110,00         | 12,00 | C        | metal         | 0,05     | 72 NBR 902 | B2       | 23232       | ● |
| 84,14          | 114,30         | 11,90 | C        | metal         | 0,02     | 72 NBR 902 | B2FUD    | 338367      | ○ |
| 85,00          | 100,00         | 7,00  | B        | metal         | 0,05     | 72 NBR 902 | B1USL    | 61841       | ● |
| 85,00          | 100,00         | 8,00  | AS       | grooved       | 0,05     | 75 FKM 585 | BAUMSLX7 | 520227      | ● |

● Available from stock    ○ On request: Tool is available, delivery at short notice    \* → Diagram 2, page 18

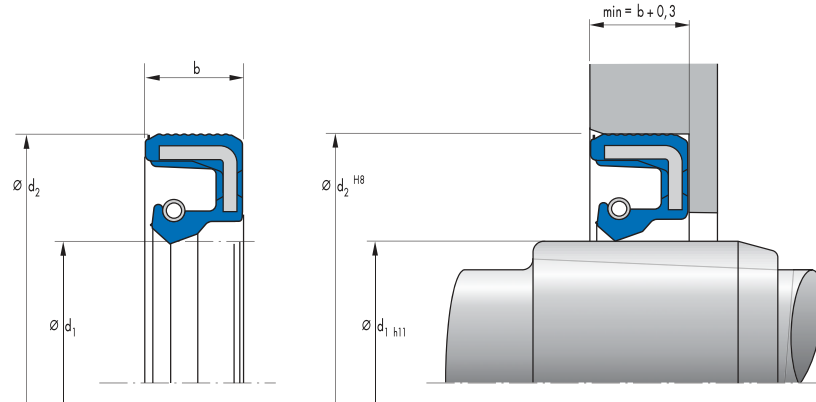


| $d_1$ | $d_2$  | b     | DIN 3761 | Outer surface | Pressure       | Material      | Type     | Article No. |   |
|-------|--------|-------|----------|---------------|----------------|---------------|----------|-------------|---|
| 85,00 | 100,00 | 9,00  | A        | smooth        | 0,05           | 72 NBR 902    | BA       | 24569       | ● |
| 85,00 | 100,00 | 9,00  | B        | metal         | 0,02           | 72 NBR 902    | B1FUD    | 334407      | ● |
| 85,00 | 100,00 | 9,00  | AS       | grooved       | 0,05           | 72 NBR 902    | BAUSLX27 | 533028      | ● |
| 85,00 | 100,00 | 12,00 | BS       | metal         | 0,02           | 72 NBR 902    | B1FUDSL  | 532637      | ● |
| 85,00 | 100,00 | 13,00 | C        | metal         | 0,05           | 72 NBR 902    | B2U      | 22805       | ● |
| 85,00 | 105,00 | 5,50  | A        | metal         | un-pressurised | 80 NBR 177458 | MSC 01   | 508553      | ● |
| 85,00 | 105,00 | 5,50  | A        | metal         | un-pressurised | 80 FKM 177459 | MSC 01   | 508598      | ● |
| 85,00 | 105,00 | 7,00  | AS       | grooved       | 0,05           | 75 FKM 585    | BAUMSLX7 | 522850      | ● |
| 85,00 | 105,00 | 7,50  | AS       | smooth        | *              | 72 NBR 902    | BABSL    | 63228       | ● |
| 85,00 | 105,00 | 10,00 | B        | metal         | 0,02           | 72 NBR 902    | B1FUD    | 532636      | ● |
| 85,00 | 105,00 | 12,00 | AS       | grooved       | 0,05           | 75 FKM 585    | BAUMSLX7 | 404329      | ● |
| 85,00 | 105,00 | 12,00 | A        | grooved       | 0,05           | 75 FKM 585    | BAUMX7   | 526104      | ● |
| 85,00 | 105,00 | 13,00 | B        | metal         | 0,05           | 72 NBR 902    | B1U      | 19938       | ● |
| 85,00 | 105,00 | 13,00 | C        | metal         | 0,05           | 72 NBR 902    | B2U      | 23234       | ● |
| 85,00 | 105,00 | 13,00 | A        | grooved       | 0,02           | 72 NBR 902    | BAFUDX7  | 335194      | ● |
| 85,00 | 105,00 | 13,00 | A        | smooth        | 0,05           | 72 NBR 902    | BAU      | 354468      | ○ |
| 85,00 | 105,00 | 13,00 | A        | smooth        | 0,05           | 75 FKM 595    | BAUM     | 4061        | ○ |
| 85,00 | 105,00 | 13,00 | CS       | metal         | 0,05           | 72 NBR 902    | B2SL     | 9687        | ● |
| 85,00 | 107,00 | 7,50  | A        | metal         | un-pressurised | 80 FKM 177459 | MSC 02   | 508619      | ● |
| 85,00 | 107,00 | 7,50  | A        | metal         | un-pressurised | 80 NBR 177458 | MSC 02   | 508643      | ● |
| 85,00 | 110,00 | 8,00  | AS       | smooth        | *              | 72 NBR 902    | BABSL    | 523616      | ● |
| 85,00 | 110,00 | 8,00  | AS       | smooth        | *              | 75 FKM 595    | BABSL    | 529504      | ● |
| 85,00 | 110,00 | 10,00 | C        | metal         | up to 1 MPa    | PTFE F56101   | B2PT     | 406834      | ● |
| 85,00 | 110,00 | 10,00 | A        | grooved       | 0,05           | 75 FKM 585    | BAUMX7   | 476119      | ● |
| 85,00 | 110,00 | 10,00 | C        | metal         | up to 1 MPa    | PTFE F56101   | B2PT     | 529453      | ○ |
| 85,00 | 110,00 | 12,00 | B        | metal         | 0,02           | 72 NBR 902    | B1FUD    | 334935      | ● |
| 85,00 | 110,00 | 12,00 | A        | grooved       | 0,05           | 75 FKM 585    | BAUMX7   | 388841      | ● |
| 85,00 | 110,00 | 12,00 | AS       | smooth        | 0,05           | 75 FKM 585    | BAUMSL   | 455644      | ● |
| 85,00 | 110,00 | 12,00 | AS       | smooth        | 0,05           | 72 NBR 902    | BAUSLX2  | 455645      | ● |
| 85,00 | 110,00 | 12,00 | A        | smooth        | 0,05           | 72 NBR 902    | BAUX2    | 526074      | ● |
| 85,00 | 110,00 | 12,00 | -        | smooth        | 0,05           | 72 NBR 902    | MSS 1    | 525387      | ● |
| 85,00 | 110,00 | 13,00 | B        | metal         | 0,05           | 72 NBR 902    | B1       | 19942       | ● |
| 85,00 | 110,00 | 13,00 | CS       | metal         | 0,02           | 72 NBR 902    | B2FUDSL  | 334365      | ● |
| 85,00 | 110,00 | 13,00 | C        | metal         | 0,02           | 72 NBR 902    | B2FUD    | 334975      | ● |
| 85,00 | 110,00 | 13,00 | A        | grooved       | 0,02           | 72 NBR 902    | BAFUDX7  | 335159      | ● |
| 85,00 | 110,00 | 13,00 | BS       | metal         | 0,02           | 72 NBR 902    | B1FUDSL  | 381637      | ● |

● Available from stock    ○ On request: Tool is available, delivery at short notice    \* → Diagram 2, page 18

| d <sub>1</sub> | d <sub>2</sub> | b     | DIN 3761 | Outer surface | Pressure       | Material      | Type     | Article No. |   |
|----------------|----------------|-------|----------|---------------|----------------|---------------|----------|-------------|---|
| 85,00          | 110,00         | 15,00 | C        | metal         | 0,02           | 72 NBR 902    | B2FUD    | 334976      | ● |
| 85,00          | 115,00         | 13,00 | A        | smooth        | 0,02           | 72 NBR 902    | BAFUD    | 12011037    | ● |
| 85,00          | 115,00         | 13,00 | C        | metal         | 0,05           | 72 NBR 902    | B2U      | 23236       | ● |
| 85,00          | 120,00         | 8,00  | AS       | smooth        | *              | 72 NBR 902    | BABSL    | 143355      | ● |
| 85,00          | 120,00         | 8,00  | AS       | smooth        | *              | 75 FKM 595    | BABSL    | 418860      | ● |
| 85,00          | 120,00         | 12,00 | A        | smooth        | 0,05           | 72 NBR 902    | BA       | 14070       | ● |
| 85,00          | 120,00         | 12,00 | B        | metal         | 0,05           | 72 NBR 902    | B1       | 2755        | ● |
| 85,00          | 120,00         | 12,00 | A        | grooved       | 0,05           | 75 FKM 585    | BAUMX7   | 388807      | ● |
| 85,00          | 120,00         | 12,00 | B        | metal         | 0,05           | 72 NBR 902    | B1       | 432607      | ○ |
| 85,00          | 120,00         | 13,00 | C        | metal         | 0,05           | 72 NBR 902    | B2U      | 23237       | ● |
| 85,00          | 120,00         | 15,00 | C        | metal         | 0,05           | 72 NBR 902    | B2       | 2515        | ● |
| 85,00          | 125,00         | 10,00 | AS       | smooth        | 0,05           | 72 NBR 902    | BAUSLX2  | 522358      | ● |
| 85,00          | 125,00         | 13,00 | C        | metal         | 0,05           | 72 NBR 902    | B2U      | 23505       | ● |
| 85,00          | 130,00         | 10,00 | AS       | grooved       | 0,05           | 75 FKM 585    | BAUMSLX7 | 477667      | ● |
| 85,00          | 130,00         | 10,00 | AS       | grooved       | 0,05           | 72 NBR 902    | BAUSLX27 | 49002843    | ● |
| 85,00          | 130,00         | 10,00 | A        | smooth        | 0,05           | 72 NBR 902    | BAUX2    | 49005998    | ● |
| 85,00          | 130,00         | 10,00 | A        | grooved       | 0,05           | 75 FKM 585    | BAUMX7   | 49012126    | ● |
| 85,00          | 130,00         | 12,00 | A        | smooth        | 0,05           | 72 NBR 902    | BAU      | 394923      | ● |
| 85,00          | 130,00         | 13,00 | C        | metal         | 0,05           | 72 NBR 902    | B2U      | 23238       | ● |
| 85,00          | 140,00         | 12,00 | A        | grooved       | 0,02           | 72 NBR 902    | BAUX7    | 369435      | ● |
| 85,00          | 140,00         | 12,00 | AS       | grooved       | 0,05           | 72 NBR 902    | BAUSLX7  | 369448      | ● |
| 85,00          | 140,00         | 12,00 | AS       | smooth        | 0,05           | 75 FKM 585    | BAUMSL   | 455647      | ● |
| 85,00          | 140,00         | 12,00 | AS       | smooth        | 0,05           | 72 NBR 902    | BAUSLX2  | 455648      | ● |
| 85,00          | 140,00         | 12,00 | -        | smooth        | 0,05           | 72 NBR 902    | MSS 1    | 525385      | ● |
| 85,00          | 140,00         | 12,00 | -        | smooth        | 0,05           | 75 FKM 585    | MSS 1    | 525390      | ● |
| 85,00          | 150,00         | 12,00 | AS       | smooth        | 0,05           | 72 NBR 902    | BAUSLX2  | 477583      | ● |
| 85,00          | 150,00         | 12,00 | A        | smooth        | 0,05           | 72 NBR 902    | BAUX2    | 49006054    | ● |
| 85,00          | 150,00         | 12,00 | AS       | grooved       | 0,05           | 75 FKM 585    | BAUMSLX7 | 520105      | ● |
| 86,00          | 105,00         | 13,00 | A        | smooth        | 0,05           | 72 NBR 902    | BA       | 9273        | ● |
| 86,00          | 110,00         | 13,00 | C        | metal         | 0,05           | 72 NBR 902    | B2       | 23240       | ○ |
| 86,00          | 110,00         | 13,00 | A        | smooth        | 0,05           | 72 NBR 902    | BA       | 9275        | ● |
| 87,00          | 110,00         | 13,00 | C        | metal         | 0,05           | 72 NBR 902    | B2U      | 23242       | ● |
| 88,00          | 110,00         | 10,00 | A        | smooth        | 0,05           | 72 NBR 902    | BA       | 9279        | ● |
| 88,00          | 110,00         | 13,00 | A        | smooth        | 0,05           | 75 FKM 595    | BAUM     | 142385      | ○ |
| 88,00          | 110,00         | 13,00 | B        | metal         | 0,05           | 72 NBR 902    | B1USL    | 20178       | ● |
| 88,00          | 110,00         | 13,00 | C        | metal         | 0,05           | 72 NBR 902    | B2U      | 23243       | ● |
| 88,00          | 110,00         | 13,00 | B        | metal         | 0,05           | 72 NBR 902    | B1U      | 436119      | ○ |
| 88,00          | 120,00         | 13,00 | C        | metal         | 0,05           | 72 NBR 902    | B2U      | 23244       | ● |
| 88,00          | 160,00         | 13,00 | AS       | smooth        | 0,05           | 72 NBR 902    | BAUSLX2  | 475363      | ● |
| 88,00          | 160,00         | 13,00 | AS       | grooved       | 0,05           | 75 FKM 585    | BAUMSLX7 | 477611      | ● |
| 89,00          | 110,00         | 13,00 | C        | metal         | 0,05           | 72 NBR 902    | B2       | 23246       | ● |
| 90,00          | 95,00          | 3,00  | B        | metal         | un-pressurised | 72 NBR 902    | B1FOF    | 363577      | ○ |
| 90,00          | 110,00         | 5,50  | A        | metal         | un-pressurised | 80 NBR 177458 | MSC 01   | 508554      | ● |
| 90,00          | 110,00         | 5,50  | A        | metal         | un-pressurised | 80 FKM 177459 | MSC 01   | 508599      | ● |
| 90,00          | 110,00         | 7,50  | AS       | smooth        | *              | 72 NBR 902    | BABSL    | 307006      | ● |
| 90,00          | 110,00         | 7,50  | AS       | smooth        | *              | 75 FKM 595    | BABSL    | 360218      | ● |
| 90,00          | 110,00         | 7,50  | AS       | smooth        | *              | 72 NBR 902    | BABSL    | 49035762    | ● |
| 90,00          | 110,00         | 8,00  | C        | metal         | 0,05           | 72 NBR 902    | B2       | 22809       | ● |
| 90,00          | 110,00         | 8,00  | A        | grooved       | 0,02           | 72 NBR 902    | BAFUDX7  | 338992      | ● |
| 90,00          | 110,00         | 8,00  | B        | metal         | 0,02           | 72 NBR 902    | B1FUD    | 355633      | ● |

● Available from stock    ○ On request: Tool is available, delivery at short notice    \* → Diagram 2, page 18

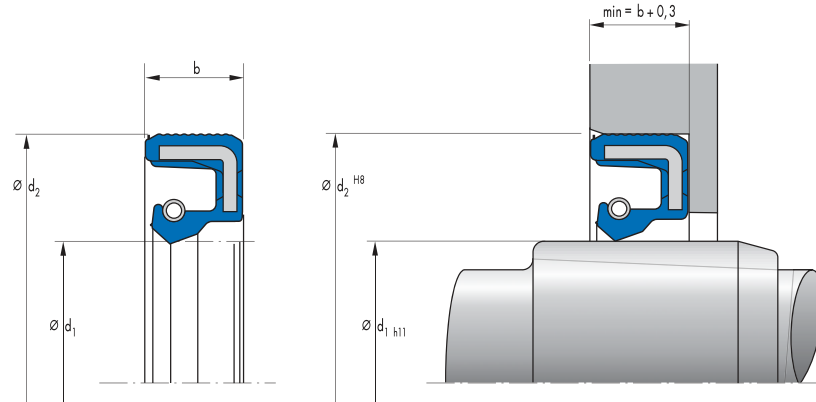


| d <sub>1</sub> | d <sub>2</sub> | b     | DIN 3761 | Outer surface | Pressure       | Material      | Type      | Article No. |   |
|----------------|----------------|-------|----------|---------------|----------------|---------------|-----------|-------------|---|
| 90,00          | 110,00         | 10,00 | A        | smooth        | 0,05           | 72 NBR 902    | BAU       | 327928      | ● |
| 90,00          | 110,00         | 10,00 | C        | metal         | up to 1 MPa    | PTFE F56101   | B2PT      | 406773      | ● |
| 90,00          | 110,00         | 10,00 | A        | smooth        | 0,05           | 72 NBR 902    | BAUSL     | 452252      | ● |
| 90,00          | 110,00         | 12,00 | AS       | smooth        | *              | 72 NBR 902    | BABSL     | 12011534    | ● |
| 90,00          | 110,00         | 12,00 | B        | metal         | 0,02           | 72 NBR 902    | B1FUD     | 334373      | ● |
| 90,00          | 110,00         | 12,00 | A        | grooved       | 0,02           | 72 NBR 902    | BAFUDX7   | 334762      | ● |
| 90,00          | 110,00         | 12,00 | A        | smooth        | 0,05           | 72 NBR 902    | BAUSL     | 371060      | ● |
| 90,00          | 110,00         | 12,00 | A        | grooved       | 0,05           | 75 FKM 585    | BAUMX7    | 388824      | ● |
| 90,00          | 110,00         | 12,00 | AS       | grooved       | 0,05           | 75 FKM 585    | BAUMSLX7  | 521010      | ● |
| 90,00          | 110,00         | 13,00 | CS       | metal         | 0,05           | 72 NBR 902    | B2USL     | 23467       | ● |
| 90,00          | 110,00         | 13,00 | BS       | metal         | 0,05           | 72 NBR 902    | B1SL      | 31470       | ● |
| 90,00          | 110,00         | 13,00 | C        | metal         | 0,02           | 72 NBR 902    | B2FUD     | 334348      | ● |
| 90,00          | 110,00         | 13,00 | B        | metal         | 0,02           | 72 NBR 902    | B1FUD     | 334671      | ● |
| 90,00          | 110,00         | 13,00 | AS       | smooth        | 0,05           | 72 NBR 902    | BAUSLX2   | 49011512    | ● |
| 90,00          | 110,00         | 13,00 | A        | smooth        | 0,05           | 72 NBR 902    | BAU       | 9287        | ● |
| 90,00          | 110,00         | 15,00 | C        | metal         | 0,05           | 72 NBR 902    | B2U       | 11436       | ● |
| 90,00          | 112,00         | 7,50  | A        | metal         | un-pressurised | 80 FKM 177459 | MSC 02    | 508620      | ● |
| 90,00          | 112,00         | 7,50  | A        | metal         | un-pressurised | 80 NBR 177458 | MSC 02    | 508644      | ● |
| 90,00          | 112,71         | 13,00 | C        | metal         | 0,02           | 72 NBR 902    | B2FUD     | 334349      | ● |
| 90,00          | 115,00         | 9,00  | C        | metal         | 0,05           | 72 NBR 902    | B2        | 22810       | ● |
| 90,00          | 115,00         | 10,00 | AS       | smooth        | *              | 75 FKM 595    | BABSL     | 418863      | ● |
| 90,00          | 115,00         | 12,00 | A        | smooth        | 0,05           | 72 NBR 902    | BAU       | 313552      | ● |
| 90,00          | 115,00         | 12,00 | AS       | grooved       | 0,05           | 75 FKM 585    | BAUMSLX7  | 428612      | ● |
| 90,00          | 115,00         | 13,00 | BS       | metal         | 0,02           | 72 NBR 902    | B1FUDSL   | 335123      | ● |
| 90,00          | 115,00         | 13,00 | B        | metal         | 0,02           | 72 NBR 902    | B1FUD     | 335190      | ● |
| 90,00          | 120,00         | 10,00 | AS       | smooth        | *              | 72 NBR 902    | BABSL     | 455768      | ● |
| 90,00          | 120,00         | 12,00 | B        | metal         | 0,02           | 72 NBR 902    | B1FUD     | 334694      | ● |
| 90,00          | 120,00         | 12,00 | A        | grooved       | 0,02           | 72 NBR 902    | BAFUDX7   | 335160      | ● |
| 90,00          | 120,00         | 12,00 | A        | grooved       | 0,05           | 75 FKM 585    | BAUMX7    | 389300      | ● |
| 90,00          | 120,00         | 12,00 | AS       | grooved       | 0,05           | 75 FKM 585    | BAUMSLX7  | 420404      | ● |
| 90,00          | 120,00         | 13,00 | B        | metal         | 0,02           | 72 NBR 902    | B1FUD     | 334408      | ● |
| 90,00          | 120,00         | 13,00 | C        | metal         | 0,02           | 72 NBR 902    | B2FUD     | 334695      | ● |
| 90,00          | 120,00         | 13,00 | CS       | metal         | 0,02           | 72 NBR 902    | B2FUDSL   | 335191      | ● |
| 90,00          | 120,00         | 13,00 | AS       | grooved       | 0,02           | 72 NBR 902    | BAFUDSLX7 | 339432      | ● |
| 90,00          | 120,00         | 13,00 | A        | smooth        | 0,05           | 72 NBR 902    | BAU       | 9294        | ● |
| 90,00          | 120,00         | 15,00 | C        | metal         | 0,02           | 72 NBR 902    | B2FUD     | 334339      | ● |

● Available from stock ○ On request: Tool is available, delivery at short notice \* → Diagram 2, page 18

| d <sub>1</sub> | d <sub>2</sub> | b     | DIN 3761 | Outer surface | Pressure       | Material      | Type      | Article No. |   |
|----------------|----------------|-------|----------|---------------|----------------|---------------|-----------|-------------|---|
| 90,00          | 125,00         | 12,00 | AS       | smooth        | *              | 72 NBR 902    | BABSL     | 12001720    | ○ |
| 90,00          | 125,00         | 13,00 | C        | metal         | 0,05           | 72 NBR 902    | B2        | 23250       | ● |
| 90,00          | 130,00         | 12,00 | AS       | grooved       | 0,05           | 75 FKM 585    | BAUMSLX7  | 420402      | ● |
| 90,00          | 130,00         | 13,00 | B        | metal         | 0,05           | 72 NBR 902    | B1        | 19951       | ● |
| 90,00          | 130,00         | 13,00 | C        | metal         | 0,05           | 72 NBR 902    | B2        | 23251       | ● |
| 90,00          | 130,00         | 13,00 | B        | metal         | 0,05           | 72 NBR 902    | B1USL     | 89770       | ● |
| 90,00          | 130,00         | 13,00 | A        | smooth        | 0,05           | 72 NBR 902    | BA        | 9301        | ● |
| 90,00          | 140,00         | 13,00 | C        | metal         | 0,05           | 72 NBR 902    | B2        | 23252       | ● |
| 90,00          | 140,00         | 13,00 | A        | smooth        | 0,05           | 72 NBR 902    | BA        | 28763       | ● |
| 90,00          | 140,00         | 13,00 | A        | smooth        | 0,05           | 72 NBR 902    | BAUX2     | 49037535    | ● |
| 90,00          | 140,00         | 13,00 | AS       | smooth        | 0,05           | 72 NBR 902    | BAUSLX2   | 522420      | ● |
| 92,00          | 120,00         | 12,00 | A        | smooth        | 0,05           | 72 NBR 902    | BA        | 9303        | ● |
| 92,00          | 120,00         | 13,00 | C        | metal         | 0,05           | 72 NBR 902    | B2        | 23253       | ● |
| 93,00          | 110,00         | 13,00 | C        | metal         | 0,05           | 72 NBR 902    | B2U       | 22811       | ● |
| 94,00          | 120,00         | 13,00 | C        | metal         | 0,05           | 72 NBR 902    | B2        | 23258       | ● |
| 95,00          | 110,00         | 7,00  | B        | metal         | 0,05           | 72 NBR 902    | B1USL     | 37097       | ○ |
| 95,00          | 110,00         | 9,00  | B        | metal         | 0,05           | 72 NBR 902    | B1        | 19557       | ● |
| 95,00          | 115,00         | 5,50  | A        | metal         | un-pressurised | 80 NBR 177458 | MSC 01    | 508555      | ● |
| 95,00          | 115,00         | 5,50  | A        | metal         | un-pressurised | 80 FKM 177459 | MSC 01    | 508600      | ● |
| 95,00          | 115,00         | 13,00 | B        | metal         | 0,05           | 72 NBR 902    | B1USL     | 20181       | ● |
| 95,00          | 115,00         | 13,00 | B        | metal         | 0,02           | 72 NBR 902    | B1FUD     | 334936      | ● |
| 95,00          | 115,00         | 13,00 | C        | metal         | 0,02           | 72 NBR 902    | B2FUD     | 334978      | ● |
| 95,00          | 115,00         | 13,00 | AS       | smooth        | 0,05           | 72 NBR 902    | BASL      | 346567      | ○ |
| 95,00          | 115,00         | 13,00 | A        | grooved       | 0,05           | 75 FKM 585    | BAUMX7    | 389615      | ● |
| 95,00          | 115,00         | 13,00 | AS       | smooth        | 0,05           | 72 NBR 902    | BAUSLX2   | 524194      | ● |
| 95,00          | 117,00         | 7,50  | A        | metal         | un-pressurised | 80 FKM 177459 | MSC 02    | 508621      | ● |
| 95,00          | 117,00         | 7,50  | A        | metal         | un-pressurised | 80 NBR 177458 | MSC 02    | 508645      | ● |
| 95,00          | 120,00         | 12,00 | AS       | smooth        | 0,02           | 72 NBR 902    | BAFUDSL   | 12011207    | ● |
| 95,00          | 120,00         | 12,00 | AS       | smooth        | *              | 72 NBR 902    | BABSL     | 2315        | ● |
| 95,00          | 120,00         | 12,00 | B        | metal         | 0,02           | 72 NBR 902    | B1FUD     | 334653      | ● |
| 95,00          | 120,00         | 12,00 | A        | grooved       | 0,02           | 72 NBR 902    | BAFUDX7   | 355407      | ● |
| 95,00          | 120,00         | 12,00 | AS       | smooth        | *              | 75 FKM 595    | BABSL     | 378129      | ● |
| 95,00          | 120,00         | 12,00 | A        | grooved       | 0,05           | 75 FKM 585    | BAUMX7    | 388845      | ● |
| 95,00          | 120,00         | 12,00 | C        | metal         | up to 1 MPa    | PTFE F56101   | B2PT      | 406835      | ● |
| 95,00          | 120,00         | 12,00 | AS       | smooth        | *              | 72 NBR 902    | BABSL     | 477399      | ○ |
| 95,00          | 120,00         | 12,00 | A        | smooth        | 0,05           | 72 NBR 902    | BAUX2     | 49035730    | ● |
| 95,00          | 120,00         | 12,00 | AS       | grooved       | 0,05           | 75 FKM 585    | BAUMSLX7  | 521011      | ● |
| 95,00          | 120,00         | 12,00 | A        | smooth        | 0,05           | 72 NBR 902    | BAUX2     | 529408      | ○ |
| 95,00          | 120,00         | 13,00 | BS       | metal         | 0,05           | 72 NBR 902    | B1SL      | 20182       | ● |
| 95,00          | 120,00         | 13,00 | CS       | metal         | 0,05           | 72 NBR 902    | B2USL     | 330834      | ● |
| 95,00          | 120,00         | 13,00 | C        | metal         | 0,02           | 72 NBR 902    | B2FUD     | 334360      | ● |
| 95,00          | 120,00         | 13,00 | B        | metal         | 0,02           | 72 NBR 902    | B1FUD     | 334652      | ● |
| 95,00          | 120,00         | 13,00 | C        | metal         | 0,05           | 75 FKM 595    | B2U       | 49004121    | ○ |
| 95,00          | 120,00         | 13,00 | A        | smooth        | 0,05           | 72 NBR 902    | BA        | 9310        | ● |
| 95,00          | 120,00         | 15,00 | C        | metal         | 0,02           | 72 NBR 902    | B2FUD     | 334654      | ● |
| 95,00          | 125,00         | 12,00 | B        | metal         | 0,05           | 72 NBR 902    | B1        | 19635       | ● |
| 95,00          | 125,00         | 12,00 | AS       | grooved       | 0,02           | 72 NBR 902    | BAFUDSLX7 | 335174      | ● |
| 95,00          | 125,00         | 12,00 | A        | smooth        | 0,05           | 72 NBR 902    | BA        | 3450        | ● |
| 95,00          | 125,00         | 12,00 | A        | grooved       | 0,05           | 75 FKM 585    | BAUMX7    | 403102      | ● |
| 95,00          | 125,00         | 12,00 | AS       | grooved       | 0,05           | 75 FKM 585    | BAUMSLX7  | 436020      | ● |

● Available from stock    ○ On request: Tool is available, delivery at short notice    \* → Diagram 2, page 18

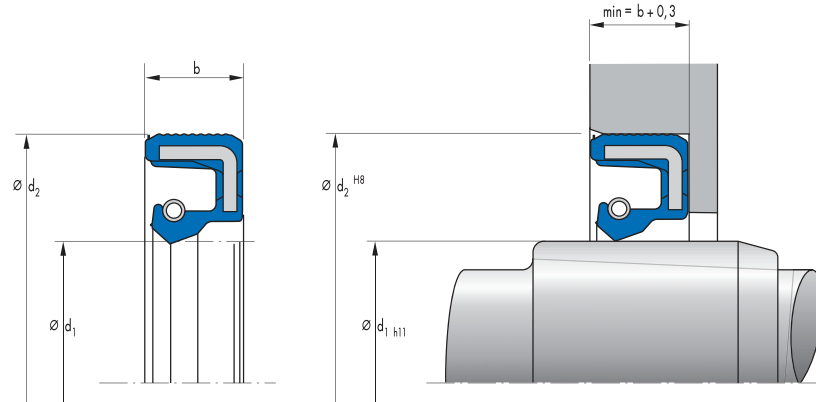


| d <sub>1</sub> | d <sub>2</sub> | b     | DIN 3761 | Outer surface | Pressure       | Material      | Type     | Article No. |   |
|----------------|----------------|-------|----------|---------------|----------------|---------------|----------|-------------|---|
| 95,00          | 125,00         | 13,00 | B        | metal         | 0,05           | 72 NBR 902    | B1U      | 19954       | ● |
| 95,00          | 125,00         | 13,00 | C        | metal         | 0,05           | 72 NBR 902    | B2U      | 23262       | ● |
| 95,00          | 125,00         | 13,00 | AS       | smooth        | 0,05           | 75 FKM 585    | BAUMSL   | 455649      | ● |
| 95,00          | 125,00         | 13,00 | AS       | smooth        | 0,05           | 72 NBR 902    | BAUSLX2  | 455650      | ● |
| 95,00          | 125,00         | 13,00 | A        | smooth        | 0,05           | 72 NBR 902    | BAUX2    | 49037536    | ● |
| 95,00          | 125,00         | 13,00 | -        | smooth        | 0,05           | 72 NBR 902    | MSS 1    | 525397      | ● |
| 95,00          | 125,00         | 15,00 | C        | metal         | 0,05           | 72 NBR 902    | B2       | 2521        | ● |
| 95,00          | 130,00         | 13,00 | C        | metal         | 0,05           | 72 NBR 902    | B2U      | 23263       | ● |
| 95,00          | 145,00         | 12,00 | -        | smooth        | 0,05           | 72 NBR 902    | MSS 7    | 522348      | ● |
| 95,00          | 145,00         | 13,00 | AS       | grooved       | 0,05           | 72 NBR 902    | BAUSLX27 | 451051      | ● |
| 95,00          | 145,00         | 13,00 | A        | grooved       | 0,05           | 72 NBR 902    | BAUX27   | 451052      | ● |
| 95,00          | 145,00         | 13,00 | AS       | smooth        | 0,05           | 72 NBR 902    | BAUSLX2  | 470443      | ● |
| 95,00          | 145,00         | 13,00 | AS       | smooth        | 0,05           | 75 FKM 585    | BAUMSL   | 470444      | ● |
| 95,00          | 145,00         | 13,00 | A        | smooth        | 0,05           | 75 FKM 585    | BAUM     | 49012060    | ● |
| 95,00          | 145,00         | 13,00 | -        | smooth        | 0,05           | 72 NBR 902    | MSS 1    | 525405      | ● |
| 95,00          | 145,00         | 13,00 | -        | smooth        | 0,05           | 75 FKM 585    | MSS 1    | 525434      | ○ |
| 95,00          | 170,00         | 13,00 | AS       | smooth        | 0,05           | 75 FKM 585    | BAUMSL   | 455652      | ● |
| 95,00          | 170,00         | 13,00 | AS       | smooth        | 0,05           | 72 NBR 902    | BAUSLX2  | 455653      | ○ |
| 95,00          | 170,00         | 13,00 | -        | smooth        | 0,05           | 72 NBR 902    | MSS 1    | 525396      | ○ |
| 96,00          | 125,00         | 13,00 | C        | metal         | 0,05           | 72 NBR 902    | B2U      | 23265       | ● |
| 97,00          | 120,00         | 13,00 | C        | metal         | 0,05           | 72 NBR 902    | B2       | 23266       | ● |
| 98,00          | 120,00         | 13,00 | C        | metal         | 0,05           | 72 NBR 902    | B2       | 23269       | ● |
| 98,00          | 125,00         | 12,00 | AS       | smooth        | 0,05           | 72 NBR 902    | BASL     | 18962       | ● |
| 98,00          | 125,00         | 12,00 | A        | smooth        | 0,05           | 72 NBR 902    | BA       | 9319        | ● |
| 98,00          | 125,00         | 13,00 | A        | smooth        | 0,05           | 75 FKM 595    | BAUM     | 142387      | ○ |
| 98,00          | 125,00         | 13,00 | C        | metal         | 0,05           | 72 NBR 902    | B2       | 23270       | ● |
| 98,00          | 128,00         | 10,00 | C        | metal         | 0,05           | 72 NBR 902    | B2       | 23271       | ● |
| 98,00          | 130,00         | 13,00 | C        | metal         | 0,05           | 72 NBR 902    | B2       | 23272       | ● |
| 100,00         | 115,00         | 9,00  | B        | metal         | 0,02           | 72 NBR 902    | B1FUD    | 358896      | ● |
| 100,00         | 115,00         | 9,00  | AS       | grooved       | 0,05           | 75 FKM 595    | BAUMSLX7 | 412884      | ○ |
| 100,00         | 120,00         | 5,50  | A        | metal         | un-pressurised | 80 NBR 177458 | MSC 01   | 508556      | ● |
| 100,00         | 120,00         | 5,50  | A        | metal         | un-pressurised | 80 FKM 177459 | MSC 01   | 508601      | ● |
| 100,00         | 120,00         | 7,50  | AS       | smooth        | *              | 75 FKM 595    | BABSL    | 315389      | ● |
| 100,00         | 120,00         | 7,50  | AS       | smooth        | *              | 72 NBR 902    | BABSL    | 63432       | ● |
| 100,00         | 120,00         | 8,00  | B        | metal         | 0,02           | 72 NBR 902    | B1FUD    | 355472      | ● |
| 100,00         | 120,00         | 8,00  | B        | metal         | 0,05           | 72 NBR 902    | B1U      | 49038233    | ● |

● Available from stock ○ On request: Tool is available, delivery at short notice \* → Diagram 2, page 18

| d <sub>1</sub> | d <sub>2</sub> | b     | DIN 3761 | Outer surface | Pressure       | Material      | Type      | Article No. |   |
|----------------|----------------|-------|----------|---------------|----------------|---------------|-----------|-------------|---|
| 100,00         | 120,00         | 10,00 | B        | metal         | 0,02           | 72 NBR 902    | B1FUD     | 334659      | ● |
| 100,00         | 120,00         | 10,00 | A        | smooth        | 0,05           | 72 NBR 902    | BAUX2     | 9323        | ● |
| 100,00         | 120,00         | 12,00 | C        | metal         | 0,05           | 75 FKM 595    | B2U       | 2205        | ○ |
| 100,00         | 120,00         | 12,00 | C        | metal         | 0,05           | 72 NBR 902    | B2U       | 307035      | ● |
| 100,00         | 120,00         | 12,00 | AS       | grooved       | 0,02           | 72 NBR 902    | BAFUDSLX7 | 334231      | ● |
| 100,00         | 120,00         | 12,00 | B        | metal         | 0,02           | 72 NBR 902    | B1FUD     | 334409      | ● |
| 100,00         | 120,00         | 12,00 | A        | grooved       | 0,02           | 72 NBR 902    | BAFUDX7   | 335175      | ● |
| 100,00         | 120,00         | 12,00 | AS       | grooved       | 0,05           | 75 FKM 595    | BAUMSLX7  | 350248      | ○ |
| 100,00         | 120,00         | 12,00 | A        | grooved       | 0,05           | 75 FKM 585    | BAUMX7    | 389309      | ● |
| 100,00         | 120,00         | 12,00 | C        | metal         | up to 1 MPa    | PTFE F56101   | B2PT      | 406774      | ● |
| 100,00         | 120,00         | 12,00 | AS       | grooved       | 0,05           | 75 FKM 585    | BAUMSLX7  | 411235      | ● |
| 100,00         | 120,00         | 12,00 | A        | smooth        | 0,05           | 72 NBR 902    | BAU       | 9327        | ○ |
| 100,00         | 120,00         | 13,00 | C        | metal         | 0,02           | 72 NBR 902    | B2FUD     | 334350      | ● |
| 100,00         | 120,00         | 15,00 | C        | metal         | 0,05           | 72 NBR 902    | B2U       | 9547        | ● |
| 100,00         | 122,00         | 7,50  | A        | metal         | un-pressurised | 80 FKM 177459 | MSC 02    | 508622      | ● |
| 100,00         | 122,00         | 7,50  | A        | metal         | un-pressurised | 80 NBR 177458 | MSC 02    | 508646      | ● |
| 100,00         | 125,00         | 12,00 | B        | metal         | 0,02           | 72 NBR 902    | B1FUD     | 335981      | ● |
| 100,00         | 125,00         | 12,00 | A        | grooved       | 0,02           | 72 NBR 902    | BAFUDX7   | 355481      | ● |
| 100,00         | 125,00         | 12,00 | A        | grooved       | 0,05           | 75 FKM 585    | BAUMX7    | 389690      | ● |
| 100,00         | 125,00         | 12,00 | AS       | grooved       | 0,05           | 75 FKM 585    | BAUMSLX7  | 521012      | ● |
| 100,00         | 125,00         | 13,00 | B        | metal         | 0,05           | 72 NBR 902    | B1USL     | 117707      | ● |
| 100,00         | 125,00         | 13,00 | CS       | metal         | 0,05           | 72 NBR 902    | B2SL      | 150733      | ● |
| 100,00         | 125,00         | 13,00 | AS       | grooved       | 0,02           | 72 NBR 902    | BAFUDSLX7 | 334856      | ● |
| 100,00         | 125,00         | 13,00 | C        | metal         | 0,02           | 72 NBR 902    | B2FUD     | 335193      | ● |
| 100,00         | 125,00         | 13,00 | B        | metal         | 0,02           | 72 NBR 902    | B1FUD     | 335982      | ● |
| 100,00         | 125,00         | 13,00 | AS       | smooth        | *              | 72 NBR 902    | BABSL     | 420803      | ● |
| 100,00         | 125,00         | 13,00 | A        | smooth        | 0,05           | 72 NBR 902    | BA        | 9338        | ● |
| 100,00         | 125,00         | 15,00 | C        | metal         | 0,02           | 72 NBR 902    | B2FUD     | 335984      | ● |
| 100,00         | 130,00         | 10,00 | A        | smooth        | 0,05           | 72 NBR 902    | BA        | 9341        | ● |
| 100,00         | 130,00         | 12,00 | B        | metal         | 0,02           | 72 NBR 902    | B1FUD     | 335165      | ● |
| 100,00         | 130,00         | 12,00 | A        | grooved       | 0,02           | 72 NBR 902    | BAFUDX7   | 369826      | ● |
| 100,00         | 130,00         | 12,00 | A        | grooved       | 0,05           | 75 FKM 585    | BAUMX7    | 389698      | ● |
| 100,00         | 130,00         | 12,00 | C        | metal         | up to 1 MPa    | PTFE F56101   | B2PT      | 406837      | ● |
| 100,00         | 130,00         | 12,00 | AS       | grooved       | 0,05           | 75 FKM 585    | BAUMSLX7  | 49000979    | ● |
| 100,00         | 130,00         | 12,00 | AS       | smooth        | 0,05           | 72 NBR 902    | BAUSLX2   | 526078      | ● |
| 100,00         | 130,00         | 12,00 | A        | smooth        | 0,05           | 72 NBR 902    | BA        | 8079        | ● |
| 100,00         | 130,00         | 13,00 | BS       | metal         | 0,05           | 72 NBR 902    | B1SL      | 20183       | ● |
| 100,00         | 130,00         | 13,00 | CS       | metal         | 0,05           | 72 NBR 902    | B2USL     | 23470       | ● |
| 100,00         | 130,00         | 13,00 | AS       | smooth        | 0,05           | 75 FKM 585    | BAUMSL    | 310982      | ○ |
| 100,00         | 130,00         | 13,00 | C        | metal         | 0,02           | 72 NBR 902    | B2FUD     | 335169      | ● |
| 100,00         | 130,00         | 13,00 | B        | metal         | 0,02           | 72 NBR 902    | B1FUD     | 335983      | ● |
| 100,00         | 130,00         | 13,00 | AS       | smooth        | 0,05           | 72 NBR 902    | BAUSLX2   | 478549      | ● |
| 100,00         | 130,00         | 15,00 | C        | metal         | 0,02           | 72 NBR 902    | B2FUD     | 335985      | ● |
| 100,00         | 135,00         | 13,00 | A        | smooth        | 0,05           | 72 NBR 902    | BAU       | 340026      | ● |
| 100,00         | 140,00         | 13,00 | C        | metal         | 0,05           | 72 NBR 902    | B2U       | 23278       | ● |
| 100,00         | 145,00         | 12,00 | AS       | smooth        | 0,05           | 72 NBR 902    | BAUSLX2   | 522357      | ● |
| 100,00         | 150,00         | 12,00 | A        | smooth        | 0,05           | 72 NBR 902    | BA        | 9345        | ● |
| 100,00         | 160,00         | 14,00 | AS       | grooved       | 0,05           | 72 NBR 902    | BAUSLX27  | 451670      | ● |
| 100,00         | 160,00         | 14,00 | A        | grooved       | 0,05           | 72 NBR 902    | BAUX27    | 453167      | ● |
| 100,00         | 160,00         | 14,00 | AS       | smooth        | 0,05           | 75 FKM 585    | BAUMSL    | 49012061    | ● |

● Available from stock ○ On request: Tool is available, delivery at short notice \* → Diagram 2, page 18

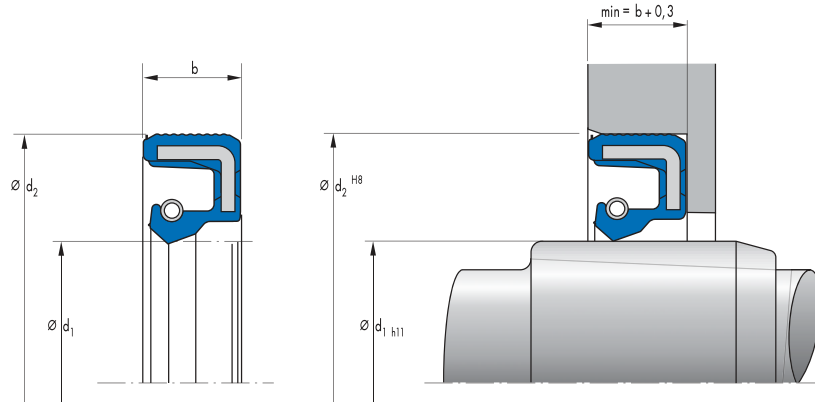


| d <sub>1</sub> | d <sub>2</sub> | b     | DIN 3761 | Outer surface | Pressure       | Material      | Type      | Article No. |   |
|----------------|----------------|-------|----------|---------------|----------------|---------------|-----------|-------------|---|
| 100,00         | 160,00         | 14,00 | A        | smooth        | 0,05           | 75 FKM 585    | BAUM      | 49012062    | ● |
| 100,00         | 180,00         | 12,00 | A        | grooved       | 0,05           | 72 NBR 902    | BAUX27    | 450739      | ● |
| 100,00         | 180,00         | 12,00 | AS       | grooved       | 0,05           | 72 NBR 902    | BAUSLX27  | 450740      | ● |
| 100,00         | 180,00         | 12,00 | A        | smooth        | 0,05           | 75 FKM 585    | BAUM      | 49012124    | ● |
| 100,00         | 180,00         | 12,00 | AS       | smooth        | 0,05           | 72 NBR 902    | BAUSLX2   | 49037437    | ● |
| 100,00         | 180,00         | 12,00 | A        | smooth        | 0,05           | 72 NBR 902    | BAUX2     | 49037438    | ● |
| 100,00         | 190,00         | 12,00 | -        | smooth        | 0,05           | 72 NBR 902    | MSS 7     | 522305      | ● |
| 100,00         | 190,00         | 15,00 | AS       | smooth        | 0,05           | 72 NBR 902    | BAUSLX2   | 520451      | ● |
| 100,00         | 190,00         | 15,00 | AS       | grooved       | 0,05           | 75 FKM 585    | BAUSLX7   | 520740      | ● |
| 102,00         | 130,00         | 13,00 | C        | metal         | 0,05           | 72 NBR 902    | B2U       | 23281       | ● |
| 103,00         | 125,00         | 13,00 | C        | metal         | 0,05           | 72 NBR 902    | B2U       | 23283       | ● |
| 104,00         | 125,00         | 10,00 | A        | smooth        | 0,05           | 72 NBR 902    | BA        | 9355        | ● |
| 104,00         | 130,00         | 13,00 | C        | metal         | 0,05           | 72 NBR 902    | B2        | 23285       | ● |
| 105,00         | 120,00         | 8,00  | B        | metal         | 0,05           | 72 NBR 902    | B1USL     | 302505      | ● |
| 105,00         | 120,00         | 8,00  | B        | metal         | 0,05           | 72 NBR 902    | B1USL     | 37138       | ○ |
| 105,00         | 120,00         | 8,00  | B        | metal         | 0,05           | 75 FKM 585    | B1USL     | 405290      | ○ |
| 105,00         | 125,00         | 5,50  | A        | metal         | un-pressurised | 80 NBR 177458 | MSC 01    | 508557      | ● |
| 105,00         | 125,00         | 5,50  | A        | metal         | un-pressurised | 80 FKM 177459 | MSC 01    | 508602      | ● |
| 105,00         | 125,00         | 12,00 | B        | metal         | 0,05           | 72 NBR 902    | B1U       | 19964       | ● |
| 105,00         | 125,00         | 13,00 | C        | metal         | 0,05           | 72 NBR 902    | B2U       | 22815       | ● |
| 105,00         | 130,00         | 7,50  | AS       | smooth        | *              | 72 NBR 902    | BABSL     | 27134       | ● |
| 105,00         | 130,00         | 7,50  | AS       | smooth        | *              | 75 FKM 595    | BABSL     | 377412      | ● |
| 105,00         | 130,00         | 7,50  | AS       | smooth        | *              | 75 FKM 595    | BABSL     | 471702      | ○ |
| 105,00         | 130,00         | 7,50  | AS       | smooth        | *              | 72 NBR 902    | BABSL     | 49031450    | ● |
| 105,00         | 130,00         | 8,00  | AS       | smooth        | 0,05           | 72 NBR 902    | BAUSLX2   | 524146      | ● |
| 105,00         | 130,00         | 12,00 | B        | metal         | 0,05           | 72 NBR 902    | B1U       | 19965       | ● |
| 105,00         | 130,00         | 12,00 | AS       | grooved       | 0,02           | 72 NBR 902    | BAFUDSLX7 | 335177      | ● |
| 105,00         | 130,00         | 12,00 | A        | grooved       | 0,05           | 75 FKM 585    | BAUMX7    | 389699      | ● |
| 105,00         | 130,00         | 12,00 | C        | metal         | up to 1 MPa    | PTFE F56101   | B2PT      | 406839      | ● |
| 105,00         | 130,00         | 12,00 | AS       | grooved       | 0,05           | 75 FKM 585    | BAUSLX7   | 411280      | ● |
| 105,00         | 130,00         | 12,00 | A        | smooth        | 0,05           | 72 NBR 902    | BAU       | 9361        | ● |
| 105,00         | 130,00         | 13,00 | BS       | metal         | 0,05           | 72 NBR 902    | B1SL      | 20184       | ● |
| 105,00         | 130,00         | 13,00 | C        | metal         | 0,05           | 72 NBR 902    | B2U       | 23286       | ● |
| 105,00         | 130,00         | 13,00 | B        | metal         | 0,05           | 75 FKM 595    | B1U       | 337463      | ○ |
| 105,00         | 130,00         | 15,00 | C        | metal         | 0,05           | 72 NBR 902    | B2U       | 11439       | ● |
| 105,00         | 135,00         | 13,00 | C        | metal         | 0,05           | 72 NBR 902    | B2        | 365337      | ● |

● Available from stock ○ On request: Tool is available, delivery at short notice \* → Diagram 2, page 18

| d <sub>1</sub> | d <sub>2</sub> | b     | DIN 3761 | Outer surface | Pressure    | Material    | Type     | Article No. |   |
|----------------|----------------|-------|----------|---------------|-------------|-------------|----------|-------------|---|
| 105,00         | 135,00         | 13,00 | B        | metal         | 0,05        | 75 FKM 585  | B1       | 439794      | ○ |
| 105,00         | 140,00         | 12,00 | B        | metal         | 0,05        | 72 NBR 902  | B1U      | 19624       | ● |
| 105,00         | 140,00         | 12,00 | A        | smooth        | 0,05        | 72 NBR 902  | BA       | 2771        | ● |
| 105,00         | 140,00         | 12,00 | A        | grooved       | 0,05        | 75 FKM 585  | BAUMX7   | 411268      | ● |
| 105,00         | 140,00         | 12,00 | AS       | smooth        | 0,05        | 72 NBR 902  | BAUSLX2  | 524505      | ● |
| 105,00         | 140,00         | 13,00 | B        | metal         | 0,05        | 72 NBR 902  | B1       | 19966       | ● |
| 105,00         | 140,00         | 13,00 | C        | metal         | 0,05        | 72 NBR 902  | B2U      | 23288       | ● |
| 105,00         | 140,00         | 13,00 | CS       | metal         | 0,05        | 72 NBR 902  | B2USL    | 38081       | ● |
| 105,00         | 140,00         | 15,00 | C        | metal         | 0,05        | 72 NBR 902  | B2       | 19633       | ● |
| 105,00         | 145,00         | 15,00 | B        | metal         | 0,05        | 72 NBR 902  | B1       | 19967       | ● |
| 105,00         | 150,00         | 15,00 | C        | metal         | 0,05        | 72 NBR 902  | B2       | 23289       | ● |
| 105,00         | 160,00         | 12,00 | AS       | smooth        | 0,05        | 72 NBR 902  | BAUSLX2  | 475362      | ● |
| 105,00         | 160,00         | 12,00 | AS       | grooved       | 0,05        | 75 FKM 585  | BAUMSLX7 | 477615      | ● |
| 105,00         | 190,00         | 12,00 | AS       | smooth        | 0,05        | 72 NBR 902  | BAUSLX2  | 522306      | ● |
| 106,00         | 130,00         | 13,00 | C        | metal         | 0,05        | 72 NBR 902  | B2       | 23290       | ● |
| 107,00         | 130,00         | 13,00 | C        | metal         | 0,05        | 72 NBR 902  | B2       | 23291       | ● |
| 107,00         | 140,00         | 13,00 | C        | metal         | 0,05        | 72 NBR 902  | B2U      | 23292       | ● |
| 108,00         | 130,00         | 13,00 | C        | metal         | 0,05        | 72 NBR 902  | B2       | 23293       | ● |
| 108,00         | 140,00         | 13,00 | C        | metal         | 0,05        | 72 NBR 902  | B2U      | 23294       | ● |
| 108,00         | 140,00         | 15,00 | AS       | smooth        | 0,05        | 72 NBR 902  | BAUSLX2  | 470435      | ● |
| 108,00         | 140,00         | 15,00 | AS       | smooth        | 0,05        | 75 FKM 585  | BAUMSL   | 470436      | ● |
| 108,00         | 170,00         | 15,00 | AS       | smooth        | 0,05        | 72 NBR 902  | BAUSLX2  | 470383      | ● |
| 108,00         | 170,00         | 15,00 | AS       | smooth        | 0,05        | 75 FKM 585  | BAUMSL   | 470384      | ● |
| 108,00         | 170,00         | 15,00 | -        | smooth        | 0,05        | 72 NBR 902  | MSS 1    | 525409      | ● |
| 110,00         | 125,00         | 7,00  | AS       | smooth        | *           | 75 FKM 595  | BABSL    | 473522      | ● |
| 110,00         | 128,00         | 9,00  | B        | metal         | 0,05        | 72 NBR 902  | B1       | 13810       | ● |
| 110,00         | 128,00         | 9,00  | B        | metal         | 0,05        | 72 NBR 902  | B1USL    | 33356       | ● |
| 110,00         | 128,00         | 9,00  | C        | metal         | 0,05        | 72 NBR 902  | B2       | 7792        | ● |
| 110,00         | 128,00         | 12,00 | A        | grooved       | 0,05        | 75 FKM 585  | BAUMX7   | 436018      | ● |
| 110,00         | 130,00         | 8,00  | AS       | grooved       | 0,05        | 72 NBR 902  | BAUSLX7  | 49033417    | ○ |
| 110,00         | 130,00         | 8,00  | AS       | grooved       | 0,05        | 75 FKM 585  | BAUMSLX7 | 520228      | ● |
| 110,00         | 130,00         | 10,00 | B        | metal         | 0,02        | 72 NBR 902  | B1FUD    | 358659      | ● |
| 110,00         | 130,00         | 12,00 | AS       | smooth        | *           | 72 NBR 902  | BABSL    | 12011535    | ● |
| 110,00         | 130,00         | 12,00 | A        | smooth        | 0,05        | 72 NBR 902  | BAUSL    | 126037      | ● |
| 110,00         | 130,00         | 12,00 | C        | metal         | 0,05        | 75 FKM 595  | B2U      | 2218        | ○ |
| 110,00         | 130,00         | 12,00 | B        | metal         | 0,02        | 72 NBR 902  | B1FUD    | 341238      | ● |
| 110,00         | 130,00         | 12,00 | B        | metal         | 0,05        | 72 NBR 902  | B1USL    | 344990      | ● |
| 110,00         | 130,00         | 12,00 | A        | grooved       | 0,02        | 72 NBR 902  | BAFUDX7  | 355424      | ● |
| 110,00         | 130,00         | 12,00 | A        | grooved       | 0,05        | 75 FKM 585  | BAUMX7   | 376665      | ● |
| 110,00         | 130,00         | 12,00 | C        | metal         | up to 1 MPa | PTFE F56101 | B2PT     | 406775      | ● |
| 110,00         | 130,00         | 12,00 | AS       | grooved       | 0,05        | 75 FKM 585  | BAUMSLX7 | 407283      | ● |
| 110,00         | 130,00         | 12,00 | C        | metal         | 0,05        | 72 NBR 902  | B2U      | 418208      | ● |
| 110,00         | 130,00         | 12,00 | AS       | smooth        | *           | 75 FKM 595  | BABSL    | 529507      | ● |
| 110,00         | 130,00         | 13,00 | C        | metal         | 0,02        | 72 NBR 902  | B2FUD    | 341230      | ● |
| 110,00         | 130,00         | 13,00 | B        | metal         | 0,02        | 72 NBR 902  | B1FUD    | 341237      | ● |
| 110,00         | 130,00         | 13,00 | BS       | metal         | 0,02        | 72 NBR 902  | B1FUDSL  | 355470      | ● |
| 110,00         | 130,00         | 15,00 | C        | metal         | 0,02        | 72 NBR 902  | B2FUD    | 341239      | ● |
| 110,00         | 140,00         | 12,00 | A        | smooth        | 0,05        | 72 NBR 902  | BAU      | 14103       | ● |
| 110,00         | 140,00         | 12,00 | B        | metal         | 0,02        | 72 NBR 902  | B1FUD    | 335163      | ● |
| 110,00         | 140,00         | 12,00 | A        | grooved       | 0,05        | 75 FKM 585  | BAUMX7   | 389454      | ● |

● Available from stock    ○ On request: Tool is available, delivery at short notice    \* → Diagram 2, page 18

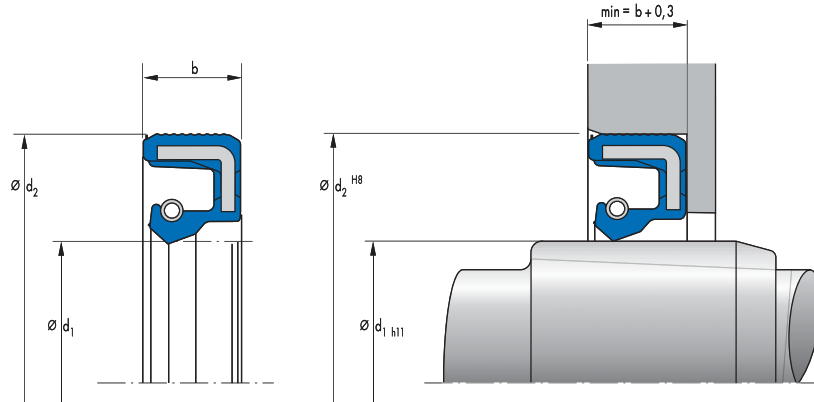


| $d_1$  | $d_2$  | b     | DIN 3761 | Outer surface | Pressure    | Material    | Type     | Article No. |   |
|--------|--------|-------|----------|---------------|-------------|-------------|----------|-------------|---|
| 110,00 | 140,00 | 12,00 | C        | metal         | up to 1 MPa | PTFE F56101 | B2PT     | 406840      | ● |
| 110,00 | 140,00 | 12,00 | AS       | smooth        | *           | 75 FKM 595  | BABSL    | 49005104    | ○ |
| 110,00 | 140,00 | 12,00 | AS       | grooved       | 0,05        | 75 FKM 585  | BAUMSLX7 | 521013      | ● |
| 110,00 | 140,00 | 12,00 | AS       | smooth        | 0,05        | 72 NBR 902  | BASL     | 9373        | ● |
| 110,00 | 140,00 | 13,00 | CS       | metal         | 0,02        | 72 NBR 902  | B2FUDSL  | 335171      | ● |
| 110,00 | 140,00 | 13,00 | C        | metal         | 0,02        | 72 NBR 902  | B2FUD    | 345079      | ● |
| 110,00 | 140,00 | 13,00 | AS       | smooth        | *           | 72 NBR 902  | BABSL    | 420804      | ● |
| 110,00 | 140,00 | 13,00 | A        | smooth        | 0,05        | 72 NBR 902  | BAUSL    | 9380        | ● |
| 110,00 | 140,00 | 13,00 | A        | smooth        | 0,05        | 72 NBR 902  | BA       | 9381        | ● |
| 110,00 | 140,00 | 15,00 | C        | metal         | 0,02        | 72 NBR 902  | B2FUD    | 335988      | ● |
| 110,00 | 145,00 | 15,00 | B        | metal         | 0,05        | 72 NBR 902  | B1U      | 19971       | ● |
| 110,00 | 150,00 | 8,00  | AS       | smooth        | *           | 72 NBR 902  | BABSL    | 929         | ● |
| 110,00 | 150,00 | 12,00 | A        | grooved       | 0,02        | 72 NBR 902  | BAFUDX7  | 474182      | ● |
| 110,00 | 150,00 | 13,00 | C        | metal         | 0,02        | 72 NBR 902  | B2FUD    | 364342      | ● |
| 110,00 | 150,00 | 15,00 | C        | metal         | 0,02        | 72 NBR 902  | B2FUD    | 366328      | ● |
| 110,00 | 150,00 | 15,00 | B        | metal         | 0,02        | 72 NBR 902  | B1FUD    | 533588      | ● |
| 110,00 | 150,00 | 18,00 | A        | smooth        | 0,05        | 72 NBR 902  | BADUO    | 9389        | ○ |
| 110,00 | 170,00 | 12,00 | -        | smooth        | 0,05        | 72 NBR 902  | MSS 7    | 522347      | ● |
| 110,00 | 170,00 | 15,00 | AS       | smooth        | 0,05        | 72 NBR 902  | BAUSLX2  | 520450      | ● |
| 110,00 | 170,00 | 15,00 | AS       | smooth        | 0,05        | 75 FKM 585  | BAUMSL   | 520741      | ● |
| 110,00 | 200,00 | 13,00 | AS       | grooved       | 0,05        | 72 NBR 902  | BAUSLX27 | 451053      | ● |
| 110,00 | 200,00 | 13,00 | A        | grooved       | 0,05        | 72 NBR 902  | BAUX27   | 451054      | ● |
| 110,00 | 200,00 | 13,00 | AS       | smooth        | 0,05        | 75 FKM 585  | BAUMSL   | 49012065    | ● |
| 110,00 | 215,00 | 12,00 | -        | smooth        | 0,05        | 72 NBR 902  | MSS 7    | 522308      | ● |
| 110,00 | 215,00 | 15,00 | AS       | smooth        | 0,05        | 72 NBR 902  | BAUSLX2  | 520453      | ● |
| 110,00 | 215,00 | 15,00 | AS       | smooth        | 0,05        | 75 FKM 585  | BAUMSL   | 520742      | ● |
| 112,00 | 130,00 | 12,00 | B        | metal         | 0,05        | 72 NBR 902  | B1       | 19562       | ● |
| 112,00 | 130,00 | 12,00 | A        | grooved       | 0,05        | 75 FKM 585  | BAUMX7   | 520866      | ● |
| 112,00 | 140,00 | 13,00 | BS       | metal         | 0,05        | 72 NBR 902  | B1SL     | 20116       | ● |
| 112,00 | 140,00 | 13,00 | C        | metal         | 0,05        | 72 NBR 902  | B2       | 23299       | ● |
| 112,00 | 140,00 | 13,00 | A        | smooth        | 0,05        | 72 NBR 902  | BAU      | 9395        | ● |
| 112,00 | 150,00 | 15,00 | C        | metal         | 0,05        | 72 NBR 902  | B2       | 23301       | ● |
| 113,00 | 140,00 | 13,00 | C        | metal         | 0,05        | 72 NBR 902  | B2       | 23302       | ● |
| 114,00 | 140,00 | 13,00 | C        | metal         | 0,05        | 72 NBR 902  | B2U      | 23303       | ● |
| 115,00 | 135,00 | 13,00 | B        | metal         | 0,05        | 72 NBR 902  | B1       | 13859       | ● |
| 115,00 | 140,00 | 11,00 | CS       | metal         | 0,05        | 72 NBR 902  | B2USL    | 23557       | ● |

● Available from stock    ○ On request: Tool is available, delivery at short notice    \* → Diagram 2, page 18

| d <sub>1</sub> | d <sub>2</sub> | b     | DIN 3761 | Outer surface | Pressure    | Material    | Type      | Article No. |   |
|----------------|----------------|-------|----------|---------------|-------------|-------------|-----------|-------------|---|
| 115,00         | 140,00         | 12,00 | AS       | smooth        | 0,05        | 75 FKM 585  | BAUMSL    | 142971      | ○ |
| 115,00         | 140,00         | 12,00 | C        | metal         | 0,05        | 75 FKM 595  | B2U       | 2231        | ○ |
| 115,00         | 140,00         | 12,00 | B        | metal         | 0,05        | 72 NBR 902  | B1        | 2776        | ● |
| 115,00         | 140,00         | 12,00 | AS       | grooved       | 0,02        | 72 NBR 902  | BAFUDSLX7 | 334501      | ● |
| 115,00         | 140,00         | 12,00 | A        | smooth        | 0,05        | 72 NBR 902  | BAUSL     | 335212      | ○ |
| 115,00         | 140,00         | 12,00 | B        | metal         | 0,02        | 72 NBR 902  | B1FUD     | 335979      | ● |
| 115,00         | 140,00         | 12,00 | A        | smooth        | 0,05        | 75 FKM 595  | BAUM      | 351142      | ○ |
| 115,00         | 140,00         | 12,00 | A        | grooved       | 0,02        | 72 NBR 902  | BAFUDX7   | 355480      | ● |
| 115,00         | 140,00         | 12,00 | A        | grooved       | 0,05        | 75 FKM 585  | BAUMX7    | 389700      | ● |
| 115,00         | 140,00         | 12,00 | AS       | grooved       | 0,05        | 72 NBR 902  | BAUSLX7   | 401314      | ○ |
| 115,00         | 140,00         | 12,00 | C        | metal         | up to 1 MPa | PTFE F56101 | B2PT      | 406841      | ● |
| 115,00         | 140,00         | 12,00 | AS       | grooved       | 0,05        | 75 FKM 585  | BAUMSLX7  | 522388      | ● |
| 115,00         | 140,00         | 13,00 | B        | metal         | 0,05        | 72 NBR 902  | B1USL     | 103181      | ● |
| 115,00         | 140,00         | 13,00 | C        | metal         | 0,02        | 72 NBR 902  | B2FUD     | 335167      | ● |
| 115,00         | 140,00         | 13,00 | B        | metal         | 0,02        | 72 NBR 902  | B1FUD     | 335980      | ● |
| 115,00         | 140,00         | 15,00 | C        | metal         | 0,02        | 72 NBR 902  | B2FUD     | 335995      | ● |
| 115,00         | 140,00         | 15,00 | BS       | metal         | 0,02        | 72 NBR 902  | B1FUDSL   | 364335      | ● |
| 115,00         | 150,00         | 12,00 | B        | metal         | 0,05        | 72 NBR 902  | B1U       | 11442       | ● |
| 115,00         | 150,00         | 12,00 | A        | smooth        | 0,05        | 72 NBR 902  | BA        | 2605        | ● |
| 115,00         | 150,00         | 12,00 | A        | grooved       | 0,05        | 75 FKM 585  | BAUMX7    | 407103      | ● |
| 115,00         | 150,00         | 12,00 | AS       | grooved       | 0,05        | 75 FKM 585  | BAUMSLX7  | 411270      | ● |
| 115,00         | 150,00         | 13,00 | C        | metal         | 0,05        | 72 NBR 902  | B2U       | 23309       | ● |
| 115,00         | 150,00         | 13,00 | B        | metal         | 0,02        | 72 NBR 902  | B1FUD     | 25526       | ● |
| 115,00         | 150,00         | 15,00 | C        | metal         | 0,05        | 72 NBR 902  | B2        | 23310       | ● |
| 115,00         | 160,00         | 12,00 | A        | grooved       | 0,05        | 75 FKM 585  | BAUMX7    | 49010597    | ● |
| 115,00         | 160,00         | 15,00 | C        | metal         | 0,05        | 72 NBR 902  | B2        | 23311       | ● |
| 115,00         | 170,00         | 12,00 | AS       | smooth        | 0,05        | 72 NBR 902  | BAUSLX2   | 522356      | ● |
| 115,00         | 215,00         | 12,00 | AS       | smooth        | 0,05        | 72 NBR 902  | BAUSLX2   | 522309      | ● |
| 116,00         | 140,00         | 13,00 | C        | metal         | 0,05        | 72 NBR 902  | B2        | 23530       | ○ |
| 118,00         | 140,00         | 13,00 | C        | metal         | 0,05        | 72 NBR 902  | B2        | 23313       | ● |
| 118,00         | 140,00         | 16,00 | A        | smooth        | 0,05        | 72 NBR 902  | BADUO     | 9406        | ○ |
| 118,00         | 150,00         | 12,00 | AS       | smooth        | 0,05        | 72 NBR 902  | BAUSLX2   | 457498      | ● |
| 118,00         | 150,00         | 12,00 | AS       | smooth        | 0,05        | 75 FKM 585  | BAUMSL    | 461900      | ● |
| 118,00         | 150,00         | 12,00 | A        | smooth        | 0,05        | 72 NBR 902  | BAUX2     | 462756      | ● |
| 118,00         | 150,00         | 12,00 | A        | smooth        | 0,05        | 75 FKM 585  | BAUM      | 462757      | ● |
| 118,00         | 150,00         | 15,00 | C        | metal         | 0,05        | 72 NBR 902  | B2        | 23314       | ● |
| 118,00         | 160,00         | 15,00 | C        | metal         | 0,05        | 72 NBR 902  | B2U       | 23315       | ● |
| 120,00         | 140,00         | 7,50  | AS       | smooth        | *           | 75 FKM 595  | BABSL     | 360177      | ● |
| 120,00         | 140,00         | 7,50  | AS       | smooth        | *           | 72 NBR 902  | BABSL     | 85746       | ● |
| 120,00         | 140,00         | 10,00 | AS       | smooth        | *           | 72 NBR 902  | BABSL     | 82439       | ● |
| 120,00         | 140,00         | 12,00 | C        | metal         | up to 1 MPa | PTFE F56101 | B2PT      | 406842      | ● |
| 120,00         | 140,00         | 12,00 | A        | smooth        | 0,05        | 72 NBR 902  | BAU       | 411088      | ● |
| 120,00         | 140,00         | 12,00 | A        | smooth        | 0,05        | 72 NBR 902  | BAUSL     | 49030924    | ● |
| 120,00         | 140,00         | 13,00 | C        | metal         | 0,02        | 72 NBR 902  | B2FUD     | 335172      | ● |
| 120,00         | 140,00         | 13,00 | B        | metal         | 0,02        | 72 NBR 902  | B1FUD     | 335978      | ● |
| 120,00         | 140,00         | 13,00 | BS       | metal         | 0,02        | 72 NBR 902  | B1FUDSL   | 347234      | ● |
| 120,00         | 140,00         | 13,00 | AS       | grooved       | 0,05        | 75 FKM 585  | BAUMSLX7  | 405832      | ● |
| 120,00         | 140,00         | 13,00 | A        | smooth        | 0,05        | 72 NBR 902  | BAUX2     | 49037537    | ● |
| 120,00         | 140,00         | 13,00 | AS       | smooth        | 0,05        | 72 NBR 902  | BAUSLX2   | 524147      | ● |
| 120,00         | 140,00         | 13,00 | A        | grooved       | 0,05        | 75 FKM 585  | BAUMX7    | 525673      | ● |

● Available from stock ○ On request: Tool is available, delivery at short notice \* → Diagram 2, page 18

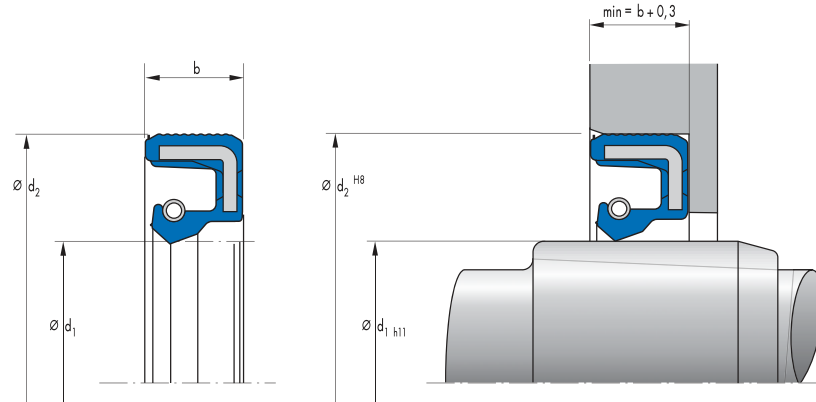


| d <sub>1</sub> | d <sub>2</sub> | b     | DIN 3761 | Outer surface | Pressure | Material   | Type     | Article No. |   |
|----------------|----------------|-------|----------|---------------|----------|------------|----------|-------------|---|
| 120,00         | 145,00         | 15,00 | B        | metal         | 0,05     | 72 NBR 902 | B1U      | 122443      | ● |
| 120,00         | 145,00         | 15,00 | C        | metal         | 0,05     | 72 NBR 902 | B2U      | 66352       | ● |
| 120,00         | 150,00         | 10,00 | AS       | smooth        | *        | 75 FKM 595 | BABSL    | 324576      | ● |
| 120,00         | 150,00         | 10,00 | AS       | smooth        | *        | 72 NBR 902 | BABSL    | 427822      | ● |
| 120,00         | 150,00         | 10,00 | AS       | smooth        | *        | 75 FKM 595 | BABSL    | 523775      | ○ |
| 120,00         | 150,00         | 12,00 | AS       | smooth        | *        | 72 NBR 902 | BABSL    | 12011536    | ● |
| 120,00         | 150,00         | 12,00 | B        | metal         | 0,02     | 72 NBR 902 | B1FUD    | 335166      | ● |
| 120,00         | 150,00         | 12,00 | A        | grooved       | 0,05     | 75 FKM 585 | BAUMX7   | 401018      | ● |
| 120,00         | 150,00         | 12,00 | B        | metal         | 0,05     | 72 NBR 902 | B1USL    | 436126      | ○ |
| 120,00         | 150,00         | 12,00 | AS       | grooved       | 0,05     | 75 FKM 585 | BAUMSLX7 | 474123      | ● |
| 120,00         | 150,00         | 12,00 | A        | smooth        | 0,05     | 72 NBR 902 | BAUX2    | 49017408    | ● |
| 120,00         | 150,00         | 12,00 | AS       | smooth        | 0,05     | 72 NBR 902 | BAUSLX2  | 526963      | ● |
| 120,00         | 150,00         | 12,00 | A        | smooth        | 0,05     | 72 NBR 902 | BAU      | 9413        | ○ |
| 120,00         | 150,00         | 13,00 | A        | smooth        | 0,05     | 72 NBR 902 | BA       | 31371       | ● |
| 120,00         | 150,00         | 13,00 | C        | metal         | 0,02     | 72 NBR 902 | B2FUD    | 335986      | ● |
| 120,00         | 150,00         | 13,00 | AS       | smooth        | 0,05     | 75 FKM 595 | BAUMSL   | 384118      | ○ |
| 120,00         | 150,00         | 13,00 | AS       | smooth        | 0,05     | 72 NBR 902 | BASL     | 418990      | ● |
| 120,00         | 150,00         | 15,00 | CS       | metal         | 0,05     | 72 NBR 902 | B2SL     | 12059       | ● |
| 120,00         | 150,00         | 15,00 | CS       | metal         | 0,05     | 72 NBR 902 | B2USL    | 145092      | ● |
| 120,00         | 150,00         | 15,00 | BS       | metal         | 0,05     | 72 NBR 902 | B1SL     | 20189       | ● |
| 120,00         | 150,00         | 15,00 | B        | metal         | 0,02     | 72 NBR 902 | B1FUD    | 335972      | ● |
| 120,00         | 150,00         | 15,00 | C        | metal         | 0,02     | 72 NBR 902 | B2FUD    | 335987      | ● |
| 120,00         | 150,00         | 15,00 | A        | grooved       | 0,05     | 75 FKM 585 | BAUMX7   | 389455      | ● |
| 120,00         | 150,00         | 15,00 | AS       | smooth        | 0,05     | 72 NBR 902 | BAUSLX2  | 470447      | ● |
| 120,00         | 150,00         | 15,00 | AS       | smooth        | 0,05     | 75 FKM 585 | BAUMSL   | 470448      | ● |
| 120,00         | 150,00         | 15,00 | -        | smooth        | 0,05     | 72 NBR 902 | MSS 1    | 525406      | ● |
| 120,00         | 150,00         | 15,00 | -        | smooth        | 0,05     | 75 FKM 585 | MSS 1    | 525435      | ● |
| 120,00         | 150,00         | 16,00 | A        | smooth        | 0,05     | 72 NBR 902 | BADUO    | 370744      | ○ |
| 120,00         | 160,00         | 10,00 | B        | metal         | 0,05     | 72 NBR 902 | B1USL    | 414273      | ● |
| 120,00         | 160,00         | 10,00 | BS       | metal         | 0,05     | 72 NBR 902 | B1SL     | 478718      | ● |
| 120,00         | 160,00         | 10,00 | B        | metal         | 0,05     | 72 NBR 902 | B1U      | 478719      | ● |
| 120,00         | 160,00         | 12,00 | A        | smooth        | 0,05     | 72 NBR 902 | BA       | 14120       | ● |
| 120,00         | 160,00         | 12,00 | B        | metal         | 0,05     | 72 NBR 902 | B1       | 2610        | ● |
| 120,00         | 160,00         | 12,00 | A        | grooved       | 0,05     | 75 FKM 585 | BAUMX7   | 407104      | ● |
| 120,00         | 160,00         | 12,00 | AS       | grooved       | 0,05     | 75 FKM 585 | BAUMSLX7 | 411290      | ● |
| 120,00         | 160,00         | 13,00 | C        | metal         | 0,05     | 72 NBR 902 | B2       | 23319       | ● |

● Available from stock    ○ On request: Tool is available, delivery at short notice    \* → Diagram 2, page 18

| d <sub>1</sub> | d <sub>2</sub> | b     | DIN 3761 | Outer surface | Pressure    | Material    | Type      | Article No. |   |
|----------------|----------------|-------|----------|---------------|-------------|-------------|-----------|-------------|---|
| 120,00         | 160,00         | 15,00 | C        | metal         | 0,05        | 72 NBR 902  | B2        | 23320       | ● |
| 120,00         | 170,00         | 15,00 | C        | metal         | 0,05        | 72 NBR 902  | B2U       | 23533       | ● |
| 120,00         | 180,00         | 12,00 | AS       | smooth        | 0,05        | 72 NBR 902  | BAUSLX2   | 49043674    | ● |
| 120,00         | 180,00         | 12,00 | A        | smooth        | 0,05        | 72 NBR 902  | BAUX2     | 49043675    | ● |
| 120,00         | 180,00         | 12,00 | -        | smooth        | 0,05        | 72 NBR 902  | MSS 7     | 522346      | ● |
| 120,00         | 180,00         | 15,00 | AS       | smooth        | 0,05        | 72 NBR 902  | BAUSLX2   | 470451      | ● |
| 120,00         | 180,00         | 15,00 | AS       | smooth        | 0,05        | 75 FKM 585  | BAUMSL    | 470452      | ● |
| 120,00         | 180,00         | 15,00 | A        | smooth        | 0,05        | 72 NBR 902  | BAUX2     | 49031233    | ○ |
| 120,00         | 200,00         | 14,00 | AS       | grooved       | 0,05        | 72 NBR 902  | BAUSLX27  | 451037      | ● |
| 120,00         | 200,00         | 14,00 | A        | grooved       | 0,05        | 72 NBR 902  | BAUX27    | 453168      | ● |
| 120,00         | 200,00         | 14,00 | AS       | smooth        | 0,05        | 75 FKM 585  | BAUMSL    | 49011950    | ● |
| 120,00         | 200,00         | 14,00 | A        | smooth        | 0,05        | 75 FKM 585  | BAUM      | 49012125    | ● |
| 122,00         | 150,00         | 13,00 | C        | metal         | 0,05        | 72 NBR 902  | B2U       | 23322       | ● |
| 122,00         | 150,00         | 15,00 | C        | metal         | 0,05        | 72 NBR 902  | B2        | 23323       | ○ |
| 122,00         | 150,00         | 15,00 | AS       | smooth        | 0,05        | 72 NBR 902  | BASL      | 9427        | ● |
| 122,00         | 200,00         | 15,00 | AS       | smooth        | 0,05        | 72 NBR 902  | BAUSLX2   | 475364      | ● |
| 122,00         | 200,00         | 15,00 | AS       | grooved       | 0,05        | 75 FKM 585  | BAUMSLX7  | 477613      | ● |
| 124,00         | 150,00         | 15,00 | C        | metal         | 0,05        | 72 NBR 902  | B2        | 23324       | ● |
| 125,00         | 145,00         | 13,00 | A        | grooved       | 0,05        | 75 FKM 585  | BAUMX7    | 49016136    | ○ |
| 125,00         | 150,00         | 12,00 | AS       | grooved       | 0,02        | 72 NBR 902  | BAFUDSLX7 | 334229      | ● |
| 125,00         | 150,00         | 12,00 | A        | grooved       | 0,02        | 72 NBR 902  | BAFUDX7   | 335125      | ● |
| 125,00         | 150,00         | 12,00 | B        | metal         | 0,02        | 72 NBR 902  | B1FUD     | 335977      | ● |
| 125,00         | 150,00         | 12,00 | C        | metal         | up to 1 MPa | PTFE F56101 | B2PT      | 406838      | ● |
| 125,00         | 150,00         | 12,00 | AS       | grooved       | 0,05        | 75 FKM 585  | BAUMSLX7  | 407276      | ● |
| 125,00         | 150,00         | 12,00 | AS       | smooth        | *           | 75 FKM 585  | BABSL     | 455694      | ○ |
| 125,00         | 150,00         | 12,00 | A        | grooved       | 0,05        | 75 FKM 585  | BAUMX7    | 49045094    | ○ |
| 125,00         | 150,00         | 13,00 | BS       | metal         | 0,05        | 72 NBR 902  | B1SL      | 20190       | ● |
| 125,00         | 150,00         | 13,00 | C        | metal         | 0,02        | 72 NBR 902  | B2FUD     | 335161      | ● |
| 125,00         | 150,00         | 13,00 | BS       | metal         | 0,02        | 72 NBR 902  | B1FUDSL   | 364318      | ● |
| 125,00         | 150,00         | 13,00 | A        | smooth        | 0,05        | 72 NBR 902  | BA        | 9440        | ● |
| 125,00         | 150,00         | 15,00 | C        | metal         | 0,02        | 72 NBR 902  | B2FUD     | 335994      | ● |
| 125,00         | 150,00         | 15,00 | A        | grooved       | 0,05        | 75 FKM 585  | BAUMX7    | 389702      | ● |
| 125,00         | 150,00         | 15,00 | CS       | metal         | 0,05        | 72 NBR 902  | B2USL     | 409243      | ● |
| 125,00         | 152,40         | 15,00 | C        | metal         | 0,05        | 72 NBR 902  | B2        | 3824        | ● |
| 125,00         | 160,00         | 12,00 | A        | smooth        | 0,05        | 72 NBR 902  | BA        | 14142       | ● |
| 125,00         | 160,00         | 12,00 | B        | metal         | 0,05        | 72 NBR 902  | B1        | 14766       | ● |
| 125,00         | 160,00         | 12,00 | A        | grooved       | 0,05        | 75 FKM 585  | BAUMX7    | 411240      | ● |
| 125,00         | 160,00         | 13,00 | B        | metal         | 0,05        | 72 NBR 902  | B1        | 19974       | ● |
| 125,00         | 160,00         | 13,00 | C        | metal         | 0,05        | 72 NBR 902  | B2        | 23328       | ● |
| 125,00         | 160,00         | 15,00 | C        | metal         | 0,05        | 72 NBR 902  | B2        | 23329       | ● |
| 125,00         | 160,00         | 15,00 | CS       | metal         | 0,05        | 72 NBR 902  | B2SL      | 25638       | ○ |
| 125,00         | 160,00         | 15,00 | AS       | smooth        | 0,05        | 72 NBR 902  | BAUSLX2   | 470445      | ● |
| 125,00         | 160,00         | 15,00 | AS       | smooth        | 0,05        | 75 FKM 585  | BAUMSL    | 470446      | ● |
| 125,00         | 160,00         | 15,00 | -        | smooth        | 0,05        | 72 NBR 902  | MSS 1     | 525408      | ● |
| 125,00         | 170,00         | 13,00 | C        | metal         | 0,05        | 72 NBR 902  | B2        | 23330       | ● |
| 125,00         | 170,00         | 15,00 | C        | metal         | 0,05        | 72 NBR 902  | B2        | 23331       | ● |
| 125,00         | 180,00         | 12,00 | AS       | smooth        | 0,05        | 72 NBR 902  | BAUSLX2   | 522355      | ● |
| 125,00         | 200,00         | 15,00 | AS       | smooth        | 0,05        | 72 NBR 902  | BAUSLX2   | 470425      | ● |
| 125,00         | 200,00         | 15,00 | AS       | smooth        | 0,05        | 75 FKM 585  | BAUMSL    | 470426      | ● |
| 125,00         | 200,00         | 15,00 | -        | smooth        | 0,05        | 72 NBR 902  | MSS 1     | 525412      | ● |

● Available from stock ○ On request: Tool is available, delivery at short notice \* → Diagram 2, page 18

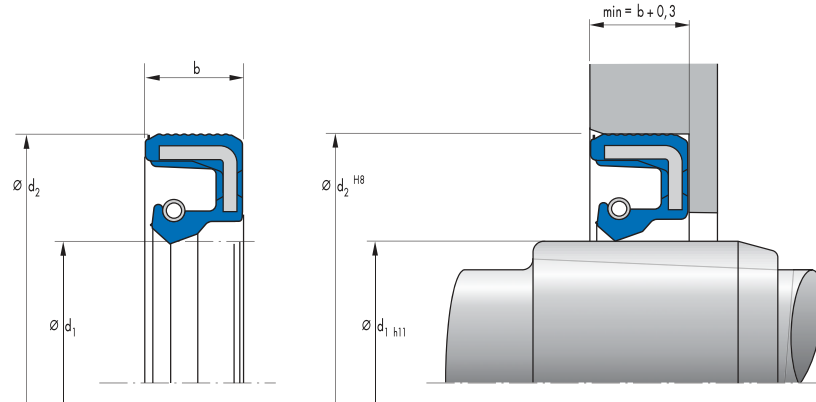


| d <sub>1</sub> | d <sub>2</sub> | b     | DIN 3761 | Outer surface | Pressure | Material   | Type     | Article No. |   |
|----------------|----------------|-------|----------|---------------|----------|------------|----------|-------------|---|
| 128,00         | 146,00         | 13,50 | C        | metal         | 0,02     | 72 NBR 902 | B2FUD    | 341229      | ● |
| 128,00         | 150,00         | 12,50 | C        | metal         | 0,05     | 75 FKM 585 | B2U      | 24662       | ○ |
| 128,00         | 150,00         | 13,00 | A        | smooth        | 0,05     | 72 NBR 902 | BAU      | 9452        | ● |
| 128,00         | 150,00         | 15,00 | B        | metal         | 0,05     | 72 NBR 902 | B1       | 19565       | ● |
| 128,00         | 150,00         | 15,00 | C        | metal         | 0,05     | 72 NBR 902 | B2U      | 23332       | ● |
| 128,00         | 160,00         | 15,00 | C        | metal         | 0,05     | 72 NBR 902 | B2U      | 23333       | ● |
| 129,00         | 160,00         | 15,00 | C        | metal         | 0,05     | 72 NBR 902 | B2       | 23335       | ● |
| 130,00         | 150,00         | 7,50  | AS       | smooth        | *        | 72 NBR 902 | BABSL    | 369321      | ● |
| 130,00         | 150,00         | 15,00 | A        | grooved       | 0,05     | 75 FKM 585 | BAUMX7   | 530591      | ● |
| 130,00         | 155,00         | 10,00 | C        | metal         | 0,05     | 72 NBR 902 | B2U      | 21415       | ● |
| 130,00         | 160,00         | 7,50  | AS       | smooth        | *        | 75 FKM 595 | BABSL    | 529820      | ● |
| 130,00         | 160,00         | 12,00 | AS       | smooth        | *        | 72 NBR 902 | BABSL    | 12011537    | ● |
| 130,00         | 160,00         | 12,00 | A        | grooved       | 0,02     | 72 NBR 902 | BAFUDX7  | 364316      | ● |
| 130,00         | 160,00         | 12,00 | B        | metal         | 0,05     | 72 NBR 902 | B1USL    | 370762      | ● |
| 130,00         | 160,00         | 12,00 | A        | grooved       | 0,05     | 75 FKM 585 | BAUMX7   | 402397      | ● |
| 130,00         | 160,00         | 12,00 | AS       | grooved       | 0,05     | 75 FKM 585 | BAUMSLX7 | 474122      | ● |
| 130,00         | 160,00         | 12,00 | AS       | smooth        | 0,05     | 72 NBR 902 | BAUSLX2  | 49030495    | ● |
| 130,00         | 160,00         | 12,00 | AS       | smooth        | *        | 75 FKM 595 | BABSL    | 529506      | ● |
| 130,00         | 160,00         | 12,00 | B        | metal         | 0,05     | 72 NBR 902 | B1U      | 8105        | ● |
| 130,00         | 160,00         | 13,00 | BS       | metal         | 0,05     | 72 NBR 902 | B1SL     | 20272       | ● |
| 130,00         | 160,00         | 13,00 | C        | metal         | 0,05     | 72 NBR 902 | B2U      | 23336       | ● |
| 130,00         | 160,00         | 13,00 | A        | grooved       | 0,02     | 72 NBR 902 | BAFUDX7  | 335201      | ● |
| 130,00         | 160,00         | 14,00 | A        | smooth        | 0,05     | 72 NBR 902 | BAU      | 376145      | ● |
| 130,00         | 160,00         | 15,00 | B        | metal         | 0,05     | 72 NBR 902 | B1U      | 19976       | ● |
| 130,00         | 160,00         | 15,00 | CS       | metal         | 0,05     | 72 NBR 902 | B2USL    | 34910       | ● |
| 130,00         | 160,00         | 15,00 | C        | metal         | 0,02     | 72 NBR 902 | B2FUD    | 364341      | ● |
| 130,00         | 160,00         | 15,00 | A        | grooved       | 0,05     | 75 FKM 585 | BAUMX7   | 389456      | ● |
| 130,00         | 160,00         | 15,00 | A        | smooth        | 0,05     | 72 NBR 902 | BAUSL    | 9463        | ● |
| 130,00         | 165,00         | 13,00 | C        | metal         | 0,05     | 72 NBR 902 | B2U      | 23338       | ● |
| 130,00         | 170,00         | 12,00 | AS       | smooth        | 0,02     | 72 NBR 902 | BAFUDSL  | 12013366    | ● |
| 130,00         | 170,00         | 12,00 | A        | smooth        | 0,05     | 72 NBR 902 | BA       | 14143       | ● |
| 130,00         | 170,00         | 12,00 | A        | grooved       | 0,05     | 75 FKM 585 | BAUMX7   | 407050      | ● |
| 130,00         | 170,00         | 12,00 | AS       | grooved       | 0,05     | 75 FKM 585 | BAUMSLX7 | 411238      | ● |
| 130,00         | 170,00         | 13,00 | C        | metal         | 0,05     | 72 NBR 902 | B2       | 23340       | ● |
| 130,00         | 170,00         | 15,00 | C        | metal         | 0,05     | 72 NBR 902 | B2       | 23342       | ● |
| 130,00         | 170,00         | 15,00 | CS       | metal         | 0,05     | 72 NBR 902 | B2USL    | 23476       | ● |

● Available from stock    ○ On request: Tool is available, delivery at short notice    \* → Diagram 2, page 18

| d <sub>1</sub> | d <sub>2</sub> | b     | DIN 3761 | Outer surface | Pressure       | Material      | Type     | Article No. |   |
|----------------|----------------|-------|----------|---------------|----------------|---------------|----------|-------------|---|
| 130,00         | 170,00         | 15,00 | AS       | smooth        | 0,05           | 72 NBR 902    | BAUSLX2  | 524696      | ● |
| 130,00         | 180,00         | 15,00 | C        | metal         | 0,05           | 72 NBR 902    | B2U      | 23343       | ● |
| 130,00         | 200,00         | 15,00 | AS       | smooth        | 0,05           | 72 NBR 902    | BAUSLX2  | 475361      | ● |
| 130,00         | 200,00         | 15,00 | AS       | grooved       | 0,05           | 75 FKM 585    | BAUMSLX7 | 477612      | ● |
| 130,00         | 215,00         | 12,00 | –        | smooth        | 0,05           | 72 NBR 902    | MSS 7    | 522311      | ● |
| 130,00         | 215,00         | 15,00 | AS       | smooth        | 0,05           | 72 NBR 902    | BAUSLX2  | 520454      | ● |
| 130,00         | 215,00         | 15,00 | AS       | smooth        | 0,05           | 75 FKM 585    | BAUMSL   | 520743      | ● |
| 130,00         | 230,00         | 14,00 | AS       | grooved       | 0,05           | 72 NBR 902    | BAUSLX27 | 451056      | ● |
| 130,00         | 230,00         | 14,00 | A        | grooved       | 0,05           | 72 NBR 902    | BAUX27   | 451058      | ● |
| 132,00         | 160,00         | 13,00 | C        | metal         | 0,05           | 72 NBR 902    | B2       | 23344       | ● |
| 132,00         | 160,00         | 15,00 | C        | metal         | 0,05           | 72 NBR 902    | B2       | 23345       | ● |
| 135,00         | 159,00         | 6,50  | A        | metal         | un-pressurised | 80 NBR 177458 | MSC 01   | 508558      | ● |
| 135,00         | 159,00         | 6,50  | A        | metal         | un-pressurised | 80 FKM 177459 | MSC 01   | 508603      | ● |
| 135,00         | 160,00         | 12,00 | A        | smooth        | 0,02           | 72 NBR 902    | BAFUD    | 12011085    | ● |
| 135,00         | 160,00         | 13,00 | C        | metal         | 0,02           | 72 NBR 902    | B2FUD    | 335199      | ● |
| 135,00         | 160,00         | 14,00 | C        | metal         | 0,05           | 75 FKM 595    | B2       | 432265      | ○ |
| 135,00         | 160,00         | 15,00 | B        | metal         | 0,02           | 72 NBR 902    | B1FUD    | 335975      | ● |
| 135,00         | 160,00         | 15,00 | C        | metal         | 0,02           | 72 NBR 902    | B2FUD    | 335991      | ● |
| 135,00         | 165,00         | 12,00 | A        | grooved       | 0,05           | 75 FKM 585    | BAUMX7   | 521829      | ● |
| 135,00         | 165,00         | 13,00 | C        | metal         | 0,05           | 72 NBR 902    | B2U      | 23348       | ● |
| 135,00         | 165,00         | 15,00 | C        | metal         | 0,05           | 72 NBR 902    | B2       | 23537       | ● |
| 135,00         | 170,00         | 10,00 | B        | metal         | 0,05           | 72 NBR 902    | B1USL    | 430579      | ○ |
| 135,00         | 170,00         | 12,00 | B        | metal         | 0,05           | 72 NBR 902    | B1U      | 11446       | ● |
| 135,00         | 170,00         | 12,00 | A        | grooved       | 0,02           | 72 NBR 902    | BAFUDX7  | 335202      | ● |
| 135,00         | 170,00         | 12,00 | AS       | smooth        | 0,05           | 75 FKM 585    | BAUMSL   | 375318      | ○ |
| 135,00         | 170,00         | 12,00 | A        | grooved       | 0,05           | 75 FKM 585    | BAUMX7   | 411236      | ● |
| 135,00         | 170,00         | 12,00 | AS       | smooth        | 0,05           | 72 NBR 902    | BAUSLX2  | 478571      | ● |
| 135,00         | 170,00         | 12,00 | A        | smooth        | 0,05           | 72 NBR 902    | BAUX2    | 478573      | ● |
| 135,00         | 170,00         | 13,00 | C        | metal         | 0,05           | 72 NBR 902    | B2U      | 23349       | ● |
| 135,00         | 170,00         | 15,00 | B        | metal         | 0,05           | 72 NBR 902    | B1       | 19979       | ● |
| 135,00         | 170,00         | 15,00 | C        | metal         | 0,05           | 72 NBR 902    | B2U      | 23350       | ● |
| 135,00         | 170,00         | 15,00 | A        | grooved       | 0,05           | 75 FKM 585    | BAUMX7   | 389749      | ● |
| 135,00         | 180,00         | 15,00 | C        | metal         | 0,05           | 72 NBR 902    | B2U      | 23351       | ● |
| 135,00         | 215,00         | 12,00 | AS       | smooth        | 0,05           | 72 NBR 902    | BAUSLX2  | 522312      | ● |
| 138,00         | 160,00         | 15,00 | C        | metal         | 0,02           | 72 NBR 902    | B2FUD    | 335197      | ● |
| 138,00         | 170,00         | 15,00 | C        | metal         | 0,05           | 72 NBR 902    | B2U      | 23352       | ● |
| 140,00         | 160,00         | 10,00 | AS       | smooth        | *              | 72 NBR 902    | BABSL    | 329169      | ● |
| 140,00         | 160,00         | 10,00 | AS       | smooth        | *              | 75 FKM 595    | BABSL    | 476112      | ○ |
| 140,00         | 160,00         | 13,00 | B        | metal         | 0,02           | 72 NBR 902    | B1FUD    | 344711      | ● |
| 140,00         | 160,00         | 13,00 | C        | metal         | 0,05           | 72 NBR 902    | B2U      | 374756      | ● |
| 140,00         | 160,00         | 15,00 | C        | metal         | 0,02           | 72 NBR 902    | B2FUD    | 345082      | ● |
| 140,00         | 165,00         | 12,00 | C        | metal         | 0,05           | 72 NBR 902    | B2       | 22821       | ● |
| 140,00         | 165,00         | 12,00 | A        | smooth        | 0,05           | 72 NBR 902    | BA       | 9475        | ● |
| 140,00         | 165,00         | 15,00 | C        | metal         | 0,05           | 72 NBR 902    | B2U      | 23354       | ● |
| 140,00         | 170,00         | 12,00 | AS       | smooth        | 0,02           | 72 NBR 902    | BAFUDSL  | 12014961    | ● |
| 140,00         | 170,00         | 13,00 | CS       | metal         | 0,05           | 75 FKM 595    | B2SL     | 2272        | ○ |
| 140,00         | 170,00         | 13,00 | C        | metal         | 0,02           | 72 NBR 902    | B2FUD    | 335198      | ● |
| 140,00         | 170,00         | 13,00 | AS       | grooved       | 0,05           | 75 FKM 585    | BAUMSLX7 | 434702      | ● |
| 140,00         | 170,00         | 13,00 | A        | smooth        | 0,05           | 72 NBR 902    | BAU      | 9484        | ● |
| 140,00         | 170,00         | 15,00 | AS       | smooth        | *              | 72 NBR 902    | BABSL    | 12011538    | ● |

● Available from stock    ○ On request: Tool is available, delivery at short notice    \* → Diagram 2, page 18

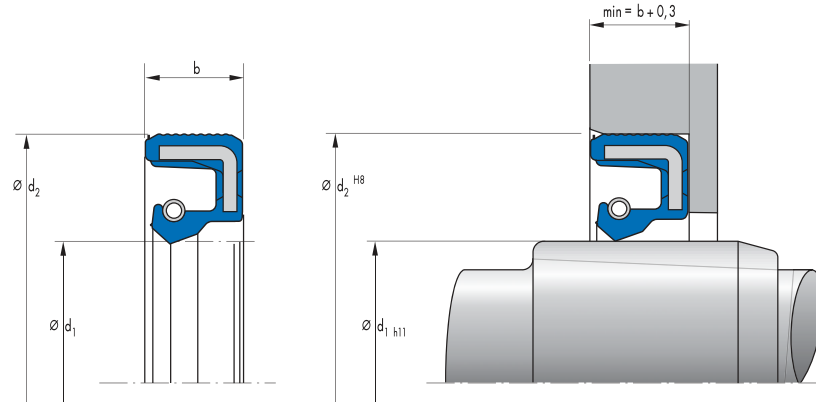


| d <sub>1</sub> | d <sub>2</sub> | b     | DIN 3761 | Outer surface | Pressure    | Material    | Type     | Article No. |   |
|----------------|----------------|-------|----------|---------------|-------------|-------------|----------|-------------|---|
| 140,00         | 170,00         | 15,00 | AS       | smooth        | *           | 72 NBR 902  | BABSL    | 142668      | ● |
| 140,00         | 170,00         | 15,00 | CS       | metal         | 0,02        | 72 NBR 902  | B2FUDSL  | 334337      | ● |
| 140,00         | 170,00         | 15,00 | B        | metal         | 0,02        | 72 NBR 902  | B1FUD    | 335976      | ● |
| 140,00         | 170,00         | 15,00 | C        | metal         | 0,02        | 72 NBR 902  | B2FUD    | 335993      | ● |
| 140,00         | 170,00         | 15,00 | A        | grooved       | 0,05        | 75 FKM 595  | BAUMX7   | 348664      | ○ |
| 140,00         | 170,00         | 15,00 | C        | metal         | up to 1 MPa | PTFE F56101 | B2PT     | 365200      | ○ |
| 140,00         | 170,00         | 15,00 | AS       | smooth        | *           | 75 FKM 595  | BABSL    | 372626      | ● |
| 140,00         | 170,00         | 15,00 | A        | grooved       | 0,05        | 75 FKM 585  | BAUMX7   | 389458      | ● |
| 140,00         | 170,00         | 15,00 | A        | smooth        | 0,05        | 72 NBR 902  | BAUX2    | 478568      | ○ |
| 140,00         | 170,00         | 15,00 | AS       | smooth        | 0,05        | 72 NBR 902  | BAUSLX2  | 49011061    | ● |
| 140,00         | 170,00         | 15,00 | A        | smooth        | 0,05        | 72 NBR 902  | BA       | 5743        | ● |
| 140,00         | 170,00         | 15,00 | AS       | smooth        | 0,05        | 72 NBR 902  | BASL     | 9491        | ● |
| 140,00         | 170,00         | 15,00 | A        | smooth        | 0,05        | 72 NBR 902  | BA       | 9493        | ● |
| 140,00         | 180,00         | 12,00 | A        | smooth        | 0,02        | 72 NBR 902  | BAFUD    | 12011089    | ● |
| 140,00         | 180,00         | 12,00 | AS       | smooth        | *           | 75 FKM 595  | BABSL    | 476731      | ● |
| 140,00         | 180,00         | 12,00 | A        | smooth        | 0,05        | 72 NBR 902  | BAUX2    | 49037538    | ● |
| 140,00         | 180,00         | 12,00 | AS       | smooth        | *           | 72 NBR 902  | BABSL    | 520212      | ● |
| 140,00         | 180,00         | 15,00 | B        | metal         | 0,05        | 72 NBR 902  | B1USL    | 20194       | ● |
| 140,00         | 180,00         | 15,00 | C        | metal         | 0,05        | 72 NBR 902  | B2       | 23357       | ● |
| 140,00         | 180,00         | 15,00 | CS       | metal         | 0,05        | 72 NBR 902  | B2SL     | 321493      | ● |
| 140,00         | 190,00         | 15,00 | C        | metal         | 0,05        | 72 NBR 902  | B2       | 23358       | ● |
| 140,00         | 230,00         | 15,00 | AS       | grooved       | 0,05        | 72 NBR 902  | BAUSLX27 | 451930      | ● |
| 140,00         | 230,00         | 15,00 | AS       | smooth        | 0,05        | 75 FKM 585  | BAUMSL   | 49012059    | ● |
| 140,00         | 230,00         | 15,00 | A        | smooth        | 0,05        | 75 FKM 585  | BAUM     | 49012122    | ● |
| 140,00         | 230,00         | 15,00 | A        | grooved       | 0,05        | 72 NBR 902  | BAUX27   | 532980      | ● |
| 140,00         | 250,00         | 15,00 | A        | grooved       | 0,05        | 72 NBR 902  | BAUX27   | 467792      | ● |
| 140,00         | 250,00         | 15,00 | AS       | grooved       | 0,05        | 72 NBR 902  | BAUSLX27 | 467868      | ● |
| 140,00         | 250,00         | 15,00 | AS       | smooth        | 0,05        | 75 FKM 585  | BAUMSL   | 49012058    | ● |
| 140,00         | 250,00         | 15,00 | A        | smooth        | 0,05        | 75 FKM 585  | BAUM     | 49012123    | ● |
| 142,00         | 170,00         | 15,00 | C        | metal         | 0,05        | 72 NBR 902  | B2U      | 23535       | ● |
| 144,00         | 180,00         | 15,00 | C        | metal         | 0,05        | 72 NBR 902  | B2       | 23359       | ● |
| 145,00         | 165,00         | 13,00 | C        | metal         | 0,02        | 72 NBR 902  | B2FUD    | 341228      | ● |
| 145,00         | 170,00         | 13,00 | BS       | metal         | 0,05        | 72 NBR 902  | B1SL     | 12011373    | ● |
| 145,00         | 170,00         | 13,00 | C        | metal         | 0,05        | 72 NBR 902  | B2U      | 23360       | ● |
| 145,00         | 170,00         | 13,00 | AS       | smooth        | 0,05        | 72 NBR 902  | BAUSLX2  | 49016145    | ● |
| 145,00         | 170,00         | 13,00 | CS       | metal         | 0,05        | 72 NBR 902  | B2SL     | 5238        | ● |

● Available from stock    ○ On request: Tool is available, delivery at short notice    \* → Diagram 2, page 18

| d <sub>1</sub> | d <sub>2</sub> | b     | DIN 3761 | Outer surface | Pressure | Material   | Type     | Article No. |   |
|----------------|----------------|-------|----------|---------------|----------|------------|----------|-------------|---|
| 145,00         | 170,00         | 15,00 | A        | smooth        | 0,05     | 72 NBR 902 | BAU      | 106590      | ○ |
| 145,00         | 170,00         | 15,00 | B        | metal         | 0,05     | 72 NBR 902 | B1U      | 20268       | ● |
| 145,00         | 170,00         | 15,00 | C        | metal         | 0,05     | 72 NBR 902 | B2U      | 23361       | ● |
| 145,00         | 175,00         | 13,00 | C        | metal         | 0,05     | 72 NBR 902 | B2U      | 114908      | ● |
| 145,00         | 175,00         | 15,00 | BS       | metal         | 0,02     | 72 NBR 902 | B1FUDSL  | 116558      | ● |
| 145,00         | 175,00         | 15,00 | A        | smooth        | 0,05     | 72 NBR 902 | BA       | 14163       | ● |
| 145,00         | 175,00         | 15,00 | C        | metal         | 0,05     | 72 NBR 902 | B2       | 2619        | ● |
| 145,00         | 175,00         | 15,00 | B        | metal         | 0,05     | 72 NBR 902 | B1       | 31533       | ● |
| 145,00         | 175,00         | 15,00 | A        | grooved       | 0,05     | 75 FKM 585 | BAUMX7   | 402486      | ● |
| 145,00         | 180,00         | 13,00 | AS       | smooth        | 0,02     | 72 NBR 902 | BAFUDSL  | 12011214    | ● |
| 145,00         | 180,00         | 13,00 | C        | metal         | 0,05     | 72 NBR 902 | B2       | 23362       | ● |
| 145,00         | 180,00         | 15,00 | C        | metal         | 0,05     | 72 NBR 902 | B2U      | 23363       | ● |
| 145,00         | 190,00         | 15,00 | C        | metal         | 0,05     | 72 NBR 902 | B2       | 23364       | ● |
| 145,00         | 190,00         | 17,00 | AS       | smooth        | 0,05     | 72 NBR 902 | BAUSLX2  | 470449      | ● |
| 145,00         | 190,00         | 17,00 | AS       | smooth        | 0,05     | 75 FKM 585 | BAUMSL   | 470450      | ● |
| 145,00         | 230,00         | 17,00 | AS       | smooth        | 0,05     | 72 NBR 902 | BAUSLX2  | 470427      | ● |
| 145,00         | 230,00         | 17,00 | AS       | smooth        | 0,05     | 75 FKM 585 | BAUMSL   | 470428      | ● |
| 145,00         | 230,00         | 17,00 | –        | smooth        | 0,05     | 72 NBR 902 | MSS 1    | 525413      | ● |
| 145,00         | 230,00         | 17,00 | –        | smooth        | 0,05     | 75 FKM 585 | MSS 1    | 525444      | ○ |
| 146,00         | 178,00         | 14,00 | C        | metal         | 0,05     | 72 NBR 902 | B2       | 23366       | ○ |
| 146,00         | 193,70         | 10,00 | AS       | smooth        | *        | 72 NBR 902 | BABSL    | 454312      | ○ |
| 148,00         | 170,00         | 14,50 | CS       | metal         | 0,02     | 72 NBR 902 | B2FUDSL  | 341227      | ● |
| 148,00         | 170,00         | 15,00 | C        | metal         | 0,05     | 72 NBR 902 | B2U      | 23367       | ● |
| 148,00         | 170,00         | 15,00 | A        | smooth        | 0,05     | 72 NBR 902 | BA       | 9501        | ● |
| 148,00         | 180,00         | 15,00 | C        | metal         | 0,05     | 72 NBR 902 | B2U      | 23368       | ● |
| 150,00         | 170,00         | 15,00 | C        | metal         | 0,05     | 72 NBR 902 | B2U      | 345083      | ● |
| 150,00         | 180,00         | 8,50  | AS       | smooth        | *        | 72 NBR 902 | BABSL    | 146597      | ● |
| 150,00         | 180,00         | 8,50  | AS       | smooth        | *        | 75 FKM 585 | BABSL    | 366770      | ● |
| 150,00         | 180,00         | 8,50  | AS       | smooth        | *        | 72 NBR 902 | BABSL    | 49031083    | ● |
| 150,00         | 180,00         | 13,00 | C        | metal         | 0,05     | 72 NBR 902 | B2U      | 23370       | ● |
| 150,00         | 180,00         | 13,00 | C        | metal         | 0,05     | 75 FKM 595 | B2       | 431416      | ○ |
| 150,00         | 180,00         | 13,00 | A        | smooth        | 0,05     | 72 NBR 902 | BA       | 9505        | ● |
| 150,00         | 180,00         | 15,00 | B        | metal         | 0,05     | 72 NBR 902 | B1U      | 19984       | ● |
| 150,00         | 180,00         | 15,00 | B        | metal         | 0,05     | 72 NBR 902 | B1USL    | 20195       | ○ |
| 150,00         | 180,00         | 15,00 | C        | metal         | 0,05     | 72 NBR 902 | B2U      | 23371       | ● |
| 150,00         | 180,00         | 15,00 | CS       | metal         | 0,05     | 72 NBR 902 | B2USL    | 355455      | ● |
| 150,00         | 180,00         | 15,00 | BS       | metal         | 0,02     | 72 NBR 902 | B1FUDSL  | 356357      | ● |
| 150,00         | 180,00         | 15,00 | A        | grooved       | 0,05     | 75 FKM 585 | BAUMX7   | 389750      | ● |
| 150,00         | 180,00         | 15,00 | B        | metal         | 0,05     | 72 NBR 902 | B1USL    | 436128      | ○ |
| 150,00         | 180,00         | 15,00 | A        | smooth        | 0,05     | 72 NBR 902 | BAU      | 49010296    | ● |
| 150,00         | 180,00         | 15,00 | AS       | smooth        | 0,05     | 72 NBR 902 | BAUSLX2  | 49010594    | ● |
| 150,00         | 180,00         | 15,00 | AS       | grooved       | 0,05     | 75 FKM 585 | BAUMSLX7 | 521014      | ● |
| 150,00         | 190,00         | 15,00 | C        | metal         | 0,05     | 72 NBR 902 | B2U      | 23372       | ● |
| 150,00         | 190,00         | 15,00 | C        | metal         | 0,05     | 75 FKM 595 | B2       | 49033343    | ○ |
| 150,00         | 200,00         | 15,00 | C        | metal         | 0,05     | 72 NBR 902 | B2       | 23373       | ● |
| 150,00         | 225,00         | 12,00 | –        | smooth        | 0,05     | 72 NBR 902 | MSS 7    | 522345      | ● |
| 150,00         | 225,00         | 15,00 | AS       | smooth        | 0,05     | 72 NBR 902 | BAUSLX2  | 475365      | ● |
| 150,00         | 225,00         | 15,00 | AS       | grooved       | 0,05     | 75 FKM 585 | BAUMSLX7 | 477610      | ● |
| 155,00         | 174,00         | 12,00 | A        | smooth        | 0,05     | 75 FKM 595 | BAUM     | 410711      | ○ |
| 155,00         | 174,00         | 12,00 | A        | smooth        | 0,05     | 72 NBR 902 | BA       | 9518        | ● |

● Available from stock    ○ On request: Tool is available, delivery at short notice    \* → Diagram 2, page 18

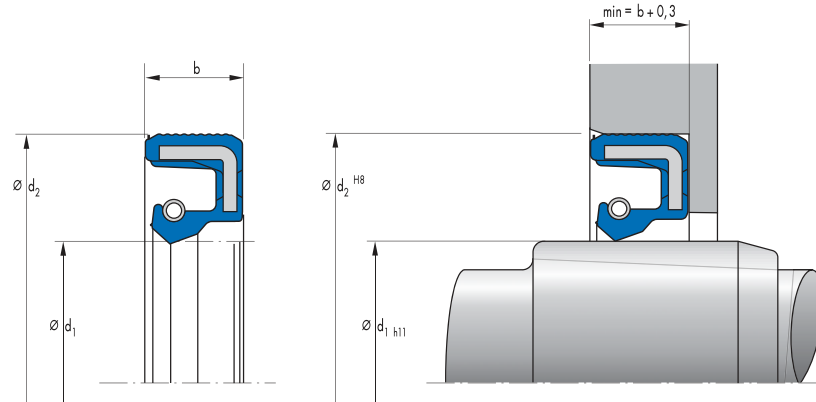


| d <sub>1</sub> | d <sub>2</sub> | b     | DIN 3761 | Outer surface | Pressure | Material   | Type     | Article No. |   |
|----------------|----------------|-------|----------|---------------|----------|------------|----------|-------------|---|
| 155,00         | 180,00         | 15,00 | C        | metal         | 0,05     | 72 NBR 902 | B2       | 23376       | ● |
| 155,00         | 180,00         | 15,00 | A        | smooth        | 0,05     | 75 FKM 585 | BAUM     | 463990      | ○ |
| 155,00         | 180,00         | 15,00 | AS       | grooved       | 0,05     | 75 FKM 585 | BAUMSLX7 | 474107      | ● |
| 155,00         | 180,00         | 15,00 | AS       | smooth        | 0,05     | 72 NBR 902 | BAUSLX2  | 478569      | ● |
| 155,00         | 180,00         | 15,00 | A        | smooth        | 0,05     | 72 NBR 902 | BAUX2    | 478570      | ● |
| 155,00         | 190,00         | 13,00 | AS       | smooth        | 0,05     | 72 NBR 902 | BAUSLX2  | 478579      | ● |
| 155,00         | 190,00         | 13,00 | A        | smooth        | 0,05     | 72 NBR 902 | BAUX2    | 478580      | ● |
| 155,00         | 190,00         | 15,00 | B        | metal         | 0,05     | 72 NBR 902 | B1       | 19985       | ● |
| 155,00         | 190,00         | 15,00 | C        | metal         | 0,05     | 72 NBR 902 | B2       | 23377       | ● |
| 155,00         | 200,00         | 15,00 | C        | metal         | 0,05     | 72 NBR 902 | B2       | 23379       | ● |
| 155,00         | 225,00         | 12,00 | AS       | smooth        | 0,05     | 72 NBR 902 | BAUSLX2  | 522354      | ● |
| 158,00         | 180,00         | 15,00 | C        | metal         | 0,05     | 72 NBR 902 | B2U      | 22826       | ● |
| 160,00         | 180,00         | 10,00 | B        | metal         | 0,05     | 72 NBR 902 | B1USL    | 328020      | ● |
| 160,00         | 180,00         | 15,00 | C        | metal         | 0,02     | 72 NBR 902 | B2FUD    | 395523      | ● |
| 160,00         | 185,00         | 8,50  | AS       | smooth        | *        | 72 NBR 902 | BABSL    | 3790        | ● |
| 160,00         | 185,00         | 10,00 | B        | metal         | 0,05     | 72 NBR 902 | B1U      | 19986       | ● |
| 160,00         | 185,00         | 10,00 | A        | smooth        | 0,05     | 72 NBR 902 | BA       | 36952       | ● |
| 160,00         | 185,00         | 14,00 | A        | smooth        | 0,05     | 72 NBR 902 | BAU      | 331905      | ● |
| 160,00         | 190,00         | 8,50  | AS       | smooth        | *        | 75 FKM 595 | BABSL    | 464827      | ○ |
| 160,00         | 190,00         | 13,00 | B        | metal         | 0,05     | 72 NBR 902 | B1       | 19987       | ● |
| 160,00         | 190,00         | 13,00 | C        | metal         | 0,05     | 72 NBR 902 | B2       | 23380       | ● |
| 160,00         | 190,00         | 15,00 | AS       | smooth        | 0,05     | 72 NBR 902 | BASL     | 122255      | ● |
| 160,00         | 190,00         | 15,00 | B        | metal         | 0,05     | 72 NBR 902 | B1       | 19988       | ● |
| 160,00         | 190,00         | 15,00 | C        | metal         | 0,05     | 72 NBR 902 | B2U      | 23381       | ● |
| 160,00         | 190,00         | 15,00 | A        | smooth        | 0,05     | 72 NBR 902 | BAU      | 2627        | ● |
| 160,00         | 190,00         | 15,00 | A        | smooth        | 0,05     | 72 NBR 902 | BAU      | 323701      | ○ |
| 160,00         | 190,00         | 15,00 | CS       | metal         | 0,02     | 72 NBR 902 | B2FUDSL  | 355453      | ● |
| 160,00         | 190,00         | 15,00 | A        | grooved       | 0,05     | 75 FKM 585 | BAUMX7   | 389752      | ● |
| 160,00         | 190,00         | 15,00 | AS       | smooth        | 0,05     | 72 NBR 902 | BAUSLX2  | 49030496    | ● |
| 160,00         | 190,00         | 15,00 | AS       | grooved       | 0,05     | 75 FKM 585 | BAUMSLX7 | 521015      | ● |
| 160,00         | 200,00         | 10,00 | AS       | smooth        | *        | 72 NBR 902 | BABSL    | 523618      | ● |
| 160,00         | 200,00         | 10,00 | AS       | smooth        | *        | 75 FKM 595 | BABSL    | 523619      | ● |
| 160,00         | 200,00         | 15,00 | C        | metal         | 0,05     | 72 NBR 902 | B2U      | 23383       | ● |
| 160,00         | 240,00         | 14,00 | AS       | smooth        | 0,05     | 72 NBR 902 | BAUSLX2  | 475366      | ● |
| 160,00         | 240,00         | 14,00 | AS       | grooved       | 0,05     | 75 FKM 585 | BAUMSLX7 | 477614      | ● |
| 160,00         | 290,00         | 18,00 | AS       | grooved       | 0,05     | 72 NBR 902 | BAUSLX27 | 452148      | ● |

● Available from stock    ○ On request: Tool is available, delivery at short notice    \* → Diagram 2, page 18

| d <sub>1</sub> | d <sub>2</sub> | b     | DIN 3761 | Outer surface | Pressure    | Material    | Type      | Article No. |   |
|----------------|----------------|-------|----------|---------------|-------------|-------------|-----------|-------------|---|
| 160,00         | 290,00         | 18,00 | A        | grooved       | 0,05        | 72 NBR 902  | BAUX27    | 452149      | ● |
| 160,00         | 290,00         | 18,00 | AS       | smooth        | 0,05        | 75 FKM 595  | BAUMSL    | 49012057    | ● |
| 160,00         | 290,00         | 18,00 | A        | smooth        | 0,05        | 75 FKM 595  | BAUM      | 49012110    | ● |
| 162,00         | 190,00         | 12,00 | A        | smooth        | 0,05        | 75 FKM 585  | BAUM      | 410714      | ○ |
| 162,00         | 190,00         | 12,00 | AS       | smooth        | 0,05        | 72 NBR 902  | BAUSLX2   | 478561      | ● |
| 162,00         | 190,00         | 12,00 | A        | smooth        | 0,05        | 72 NBR 902  | BAUX2     | 478563      | ● |
| 162,00         | 190,00         | 12,00 | AS       | grooved       | 0,05        | 75 FKM 585  | BAUMSLX7  | 520229      | ● |
| 162,00         | 190,00         | 15,00 | C        | metal         | 0,05        | 72 NBR 902  | B2        | 23384       | ● |
| 165,00         | 190,00         | 13,00 | B        | metal         | 0,05        | 72 NBR 902  | B1U       | 19989       | ● |
| 165,00         | 190,00         | 13,00 | B        | metal         | 0,05        | 72 NBR 902  | B1USL     | 20199       | ● |
| 165,00         | 190,00         | 13,00 | C        | metal         | 0,05        | 72 NBR 902  | B2U       | 23386       | ● |
| 165,00         | 190,00         | 13,00 | A        | smooth        | 0,05        | 72 NBR 902  | BA        | 9529        | ● |
| 165,00         | 190,00         | 15,00 | B        | metal         | 0,05        | 72 NBR 902  | B1U       | 19990       | ● |
| 165,00         | 190,00         | 15,00 | C        | metal         | 0,05        | 72 NBR 902  | B2U       | 23387       | ● |
| 165,00         | 200,00         | 15,00 | C        | metal         | 0,05        | 72 NBR 902  | B2        | 23388       | ● |
| 168,00         | 190,00         | 15,00 | C        | metal         | 0,05        | 72 NBR 902  | B2U       | 22828       | ● |
| 168,00         | 190,00         | 15,00 | A        | smooth        | 0,05        | 75 FKM 595  | BAUM      | 342151      | ○ |
| 168,00         | 200,00         | 15,00 | C        | metal         | 0,05        | 72 NBR 902  | B2U       | 23389       | ● |
| 168,00         | 200,00         | 15,00 | C        | metal         | 0,05        | 75 FKM 585  | B2U       | 326623      | ○ |
| 170,00         | 190,00         | 15,00 | B        | metal         | 0,05        | 72 NBR 902  | B1USL     | 315273      | ● |
| 170,00         | 190,00         | 15,00 | C        | metal         | 0,02        | 72 NBR 902  | B2FUD     | 341226      | ● |
| 170,00         | 200,00         | 12,00 | BS       | metal         | 0,05        | 72 NBR 902  | B1SL      | 37129       | ● |
| 170,00         | 200,00         | 12,00 | AS       | smooth        | *           | 75 FKM 595  | BABSL     | 476560      | ○ |
| 170,00         | 200,00         | 12,00 | AS       | smooth        | *           | 72 NBR 902  | BABSL     | 520211      | ● |
| 170,00         | 200,00         | 13,00 | C        | metal         | 0,05        | 72 NBR 902  | B2U       | 23391       | ● |
| 170,00         | 200,00         | 14,00 | AS       | smooth        | *           | 72 NBR 902  | BABSL     | 146585      | ● |
| 170,00         | 200,00         | 14,00 | AS       | smooth        | *           | 75 FKM 595  | BABSL     | 397048      | ● |
| 170,00         | 200,00         | 15,00 | CS       | metal         | 0,05        | 72 NBR 902  | B2SL      | 23503       | ● |
| 170,00         | 200,00         | 15,00 | A        | smooth        | 0,05        | 72 NBR 902  | BA        | 31453       | ● |
| 170,00         | 200,00         | 15,00 | BS       | metal         | 0,05        | 72 NBR 902  | B1SL      | 31473       | ○ |
| 170,00         | 200,00         | 15,00 | C        | metal         | 0,02        | 72 NBR 902  | B2FUD     | 355457      | ● |
| 170,00         | 200,00         | 15,00 | B        | metal         | 0,02        | 72 NBR 902  | B1FUD     | 356360      | ● |
| 170,00         | 200,00         | 15,00 | AS       | grooved       | 0,02        | 72 NBR 902  | BAFUDSLX7 | 364313      | ● |
| 170,00         | 200,00         | 15,00 | A        | grooved       | 0,05        | 75 FKM 585  | BAUMX7    | 389755      | ● |
| 170,00         | 200,00         | 15,00 | AS       | grooved       | 0,05        | 75 FKM 585  | BAUMSLX7  | 521016      | ● |
| 170,00         | 215,00         | 16,00 | C        | metal         | 0,05        | 72 NBR 902  | B2        | 23393       | ● |
| 170,00         | 215,00         | 16,00 | CS       | metal         | 0,05        | 72 NBR 902  | B2USL     | 478559      | ○ |
| 170,00         | 215,00         | 16,00 | C        | metal         | 0,05        | 72 NBR 902  | B2U       | 478560      | ● |
| 172,00         | 190,00         | 8,50  | AS       | smooth        | *           | 75 FKM 595  | BABSL     | 469004      | ● |
| 172,00         | 200,00         | 15,00 | C        | metal         | 0,05        | 72 NBR 902  | B2U       | 23395       | ● |
| 174,00         | 190,00         | 5,00  | A        | smooth        | 0,05        | 72 NBR 902  | BAUSL     | 406551      | ○ |
| 175,00         | 200,00         | 15,00 | C        | metal         | 0,02        | 72 NBR 902  | B2FUD     | 334979      | ● |
| 175,00         | 200,00         | 15,00 | B        | metal         | 0,05        | 75 FKM 595  | B1U       | 426969      | ○ |
| 175,00         | 200,00         | 15,00 | A        | smooth        | 0,05        | 72 NBR 902  | BAU       | 526213      | ● |
| 175,00         | 205,00         | 15,00 | C        | metal         | up to 1 MPa | PTFE F56101 | B2PT      | 471887      | ○ |
| 175,00         | 205,00         | 15,00 | A        | smooth        | 0,05        | 72 NBR 902  | BA        | 9550        | ● |
| 175,00         | 215,00         | 16,00 | C        | metal         | 0,05        | 72 NBR 902  | B2U       | 23397       | ● |
| 178,00         | 200,00         | 15,00 | C        | metal         | 0,05        | 72 NBR 902  | B2U       | 23399       | ● |
| 178,00         | 215,00         | 16,00 | C        | metal         | 0,05        | 72 NBR 902  | B2        | 23400       | ● |
| 180,00         | 200,00         | 12,00 | C        | metal         | 0,05        | 72 NBR 902  | B2U       | 339544      | ● |

● Available from stock ○ On request: Tool is available, delivery at short notice \* → Diagram 2, page 18

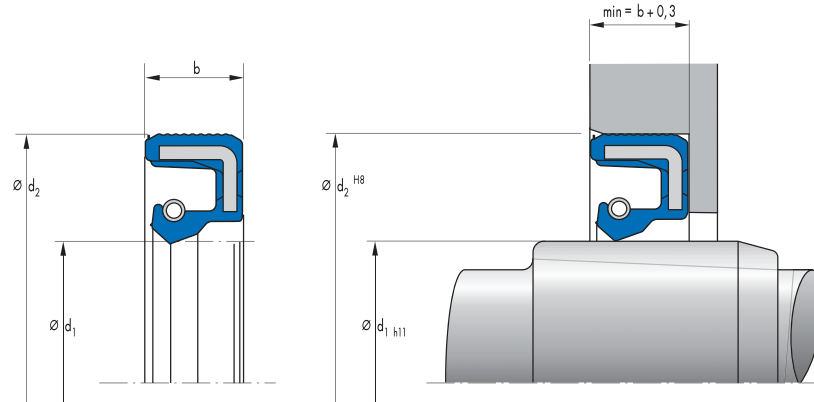


| $d_1$  | $d_2$  | b     | DIN 3761 | Outer surface | Pressure | Material   | Type     | Article No. |   |
|--------|--------|-------|----------|---------------|----------|------------|----------|-------------|---|
| 180,00 | 200,00 | 12,00 | B        | metal         | 0,05     | 72 NBR 902 | B1USL    | 49002098    | ○ |
| 180,00 | 200,00 | 15,00 | C        | metal         | 0,05     | 72 NBR 902 | B2U      | 23567       | ● |
| 180,00 | 200,00 | 15,00 | CS       | metal         | 0,05     | 72 NBR 902 | B2SL     | 326786      | ● |
| 180,00 | 210,00 | 8,50  | AS       | smooth        | *        | 72 NBR 902 | BABSL    | 367484      | ● |
| 180,00 | 210,00 | 8,50  | AS       | smooth        | *        | 75 FKM 595 | BABSL    | 520626      | ● |
| 180,00 | 210,00 | 15,00 | B        | metal         | 0,05     | 72 NBR 902 | B1U      | 19129       | ● |
| 180,00 | 210,00 | 15,00 | C        | metal         | 0,05     | 72 NBR 902 | B2U      | 2630        | ● |
| 180,00 | 210,00 | 15,00 | A        | grooved       | 0,02     | 72 NBR 902 | BAFUDX27 | 346139      | ● |
| 180,00 | 210,00 | 15,00 | A        | grooved       | 0,05     | 75 FKM 585 | BAUMX7   | 402490      | ● |
| 180,00 | 210,00 | 15,00 | AS       | grooved       | 0,05     | 75 FKM 585 | BAUMSLX7 | 521017      | ● |
| 180,00 | 215,00 | 15,00 | CS       | metal         | 0,05     | 72 NBR 902 | B2USL    | 27471       | ● |
| 180,00 | 215,00 | 16,00 | B        | metal         | 0,05     | 72 NBR 902 | B1       | 19992       | ● |
| 180,00 | 215,00 | 16,00 | C        | metal         | 0,05     | 72 NBR 902 | B2U      | 23402       | ● |
| 180,00 | 215,00 | 16,00 | AS       | smooth        | 0,05     | 75 FKM 585 | BAUMSL   | 392790      | ○ |
| 180,00 | 220,00 | 16,00 | C        | metal         | 0,05     | 72 NBR 902 | B2       | 23403       | ● |
| 182,00 | 215,00 | 16,00 | C        | metal         | 0,05     | 72 NBR 902 | B2       | 23404       | ● |
| 184,00 | 210,00 | 15,00 | AS       | smooth        | 0,05     | 75 FKM 595 | BAUMSL   | 304125      | ○ |
| 185,00 | 205,00 | 11,00 | AS       | smooth        | *        | 75 FKM 595 | BABSL    | 531100      | ● |
| 185,00 | 205,00 | 11,00 | AS       | smooth        | *        | 72 NBR 902 | BABSL    | 531108      | ● |
| 185,00 | 210,00 | 13,00 | A        | grooved       | 0,02     | 72 NBR 902 | BAFUDX27 | 334281      | ● |
| 185,00 | 215,00 | 15,00 | C        | metal         | 0,05     | 72 NBR 902 | B2U      | 23405       | ● |
| 185,00 | 215,00 | 16,00 | CS       | metal         | 0,05     | 72 NBR 902 | B2SL     | 100795      | ● |
| 185,00 | 215,00 | 16,00 | CS       | metal         | 0,05     | 72 NBR 902 | B2SL     | 23480       | ○ |
| 185,00 | 215,00 | 16,00 | C        | metal         | 0,05     | 75 FKM 585 | B2U      | 471587      | ○ |
| 185,00 | 230,00 | 16,00 | C        | metal         | 0,05     | 72 NBR 902 | B2       | 23406       | ● |
| 188,00 | 215,00 | 16,00 | C        | metal         | 0,05     | 72 NBR 902 | B2       | 23407       | ● |
| 190,00 | 215,00 | 15,00 | B        | metal         | 0,05     | 72 NBR 902 | B1U      | 19994       | ● |
| 190,00 | 215,00 | 16,00 | C        | metal         | 0,05     | 72 NBR 902 | B2U      | 22831       | ● |
| 190,00 | 220,00 | 12,00 | A        | smooth        | 0,05     | 72 NBR 902 | BAUSL    | 9561        | ● |
| 190,00 | 220,00 | 15,00 | A        | smooth        | 0,05     | 72 NBR 902 | BAU      | 11458       | ○ |
| 190,00 | 220,00 | 15,00 | A        | grooved       | 0,02     | 72 NBR 902 | BAFUDX27 | 334745      | ● |
| 190,00 | 220,00 | 15,00 | C        | metal         | 0,02     | 72 NBR 902 | B2FUD    | 345085      | ● |
| 190,00 | 220,00 | 15,00 | B        | metal         | 0,02     | 72 NBR 902 | B1FUD    | 345090      | ● |
| 190,00 | 220,00 | 15,00 | AS       | smooth        | *        | 75 FKM 595 | BABSL    | 363446      | ● |
| 190,00 | 220,00 | 15,00 | A        | grooved       | 0,05     | 75 FKM 585 | BAUMX7   | 389697      | ● |
| 190,00 | 220,00 | 15,00 | AS       | smooth        | *        | 72 NBR 902 | BABSL    | 427821      | ● |

● Available from stock    ○ On request: Tool is available, delivery at short notice    \* → Diagram 2, page 18

| d <sub>1</sub> | d <sub>2</sub> | b     | DIN 3761 | Outer surface | Pressure | Material   | Type     | Article No. |   |
|----------------|----------------|-------|----------|---------------|----------|------------|----------|-------------|---|
| 190,00         | 220,00         | 15,00 | AS       | grooved       | 0,05     | 75 FKM 585 | BAUMSLX7 | 454176      | ● |
| 190,00         | 220,00         | 16,00 | B        | metal         | 0,02     | 72 NBR 902 | B1FUD    | 345091      | ● |
| 190,00         | 220,00         | 16,00 | B        | metal         | 0,05     | 75 FKM 585 | B1U      | 49011248    | ○ |
| 190,00         | 225,00         | 16,00 | AS       | smooth        | 0,05     | 72 NBR 902 | BAUSLX2  | 478703      | ● |
| 190,00         | 225,00         | 16,00 | A        | smooth        | 0,05     | 72 NBR 902 | BAUX2    | 478704      | ● |
| 190,00         | 230,00         | 16,00 | C        | metal         | 0,05     | 72 NBR 902 | B2       | 23409       | ● |
| 195,00         | 220,00         | 16,00 | C        | metal         | 0,05     | 72 NBR 902 | B2U      | 23411       | ● |
| 195,00         | 220,00         | 16,00 | C        | metal         | 0,05     | 75 FKM 595 | B2U      | 530942      | ○ |
| 195,00         | 230,00         | 15,00 | C        | metal         | 0,05     | 72 NBR 902 | B2       | 23412       | ● |
| 200,00         | 230,00         | 13,00 | AS       | smooth        | *        | 72 NBR 902 | BABSL    | 360342      | ● |
| 200,00         | 230,00         | 13,00 | AS       | smooth        | *        | 75 FKM 595 | BABSL    | 529444      | ● |
| 200,00         | 230,00         | 15,00 | B        | metal         | 0,05     | 72 NBR 902 | B1USL    | 20269       | ● |
| 200,00         | 230,00         | 15,00 | C        | metal         | 0,05     | 72 NBR 902 | B2U      | 23414       | ● |
| 200,00         | 230,00         | 15,00 | B        | metal         | 0,05     | 72 NBR 902 | B1       | 26728       | ● |
| 200,00         | 230,00         | 15,00 | A        | smooth        | 0,05     | 72 NBR 902 | BA       | 31464       | ● |
| 200,00         | 230,00         | 15,00 | CS       | metal         | 0,05     | 72 NBR 902 | B2SL     | 34917       | ● |
| 200,00         | 230,00         | 15,00 | A        | smooth        | 0,05     | 72 NBR 902 | BAUSL    | 349992      | ● |
| 200,00         | 230,00         | 15,00 | A        | grooved       | 0,05     | 75 FKM 585 | BAUMX7   | 407051      | ● |
| 200,00         | 230,00         | 15,00 | AS       | grooved       | 0,05     | 75 FKM 585 | BAUMSLX7 | 520230      | ● |
| 200,00         | 230,00         | 16,00 | B        | metal         | 0,05     | 72 NBR 902 | B1U      | 19996       | ● |
| 200,00         | 250,00         | 15,00 | C        | metal         | 0,05     | 72 NBR 902 | B2       | 23415       | ● |
| 200,00         | 310,00         | 18,00 | AS       | smooth        | 0,05     | 75 FKM 595 | BAUMSL   | 49011949    | ● |
| 200,00         | 310,00         | 18,00 | A        | smooth        | 0,05     | 75 FKM 595 | BAUM     | 49012111    | ● |
| 205,00         | 230,00         | 15,00 | B        | metal         | 0,05     | 72 NBR 902 | B1       | 19997       | ● |
| 205,00         | 230,00         | 15,00 | A        | grooved       | 0,05     | 75 FKM 585 | BAUMX7   | 528843      | ● |
| 205,00         | 230,00         | 16,00 | C        | metal         | 0,05     | 72 NBR 902 | B2U      | 22832       | ● |
| 205,00         | 250,00         | 16,00 | C        | metal         | 0,05     | 72 NBR 902 | B2       | 25648       | ● |
| 210,00         | 240,00         | 15,00 | B        | metal         | 0,05     | 72 NBR 902 | B1U      | 19239       | ● |
| 210,00         | 240,00         | 15,00 | A        | smooth        | 0,05     | 72 NBR 902 | BA       | 2546        | ● |
| 210,00         | 240,00         | 15,00 | C        | metal         | 0,05     | 72 NBR 902 | B2       | 2551        | ● |
| 210,00         | 240,00         | 15,00 | C        | metal         | 0,05     | 75 FKM 595 | B2U      | 312565      | ○ |
| 210,00         | 240,00         | 15,00 | AS       | grooved       | 0,05     | 75 FKM 585 | BAUMSLX7 | 474108      | ● |
| 210,00         | 250,00         | 16,00 | C        | metal         | 0,05     | 72 NBR 902 | B2U      | 23418       | ● |
| 215,00         | 235,00         | 10,00 | AS       | smooth        | 0,05     | 75 FKM 595 | BAUMSL   | 478540      | ○ |
| 215,00         | 240,00         | 12,00 | A        | smooth        | 0,05     | 72 NBR 902 | BAUX2    | 9577        | ● |
| 215,00         | 245,00         | 16,00 | C        | metal         | 0,05     | 75 FKM 585 | B2U      | 327418      | ○ |
| 215,00         | 250,00         | 16,00 | C        | metal         | 0,05     | 72 NBR 902 | B2U      | 23419       | ● |
| 215,00         | 250,00         | 16,00 | C        | metal         | 0,05     | 75 FKM 595 | B2U      | 429789      | ○ |
| 215,00         | 250,00         | 16,00 | A        | smooth        | 0,05     | 72 NBR 902 | BAU      | 9580        | ● |
| 218,00         | 250,00         | 16,00 | C        | metal         | 0,05     | 72 NBR 902 | B2       | 23420       | ● |
| 220,00         | 250,00         | 11,00 | B        | metal         | 0,05     | 72 NBR 902 | B1       | 20440       | ● |
| 220,00         | 250,00         | 15,00 | CS       | metal         | 0,05     | 72 NBR 902 | B2SL     | 150730      | ● |
| 220,00         | 250,00         | 15,00 | B        | metal         | 0,05     | 72 NBR 902 | B1       | 20444       | ● |
| 220,00         | 250,00         | 15,00 | C        | metal         | 0,05     | 72 NBR 902 | B2U      | 23421       | ● |
| 220,00         | 250,00         | 15,00 | C        | metal         | 0,05     | 75 FKM 595 | B2U      | 433549      | ○ |
| 220,00         | 250,00         | 15,00 | A        | grooved       | 0,05     | 75 FKM 585 | BAUMX7   | 435004      | ● |
| 220,00         | 250,00         | 15,00 | AS       | grooved       | 0,05     | 75 FKM 585 | BAUMSLX7 | 468763      | ● |
| 220,00         | 250,00         | 15,00 | CS       | metal         | 0,05     | 72 NBR 902 | B2USL    | 478509      | ● |
| 220,00         | 250,00         | 15,00 | C        | metal         | 0,05     | 72 NBR 902 | B2U      | 478510      | ● |
| 220,00         | 250,00         | 15,00 | AS       | grooved       | 0,05     | 72 NBR 902 | BAUSLX7  | 49027671    | ● |

● Available from stock    ○ On request: Tool is available, delivery at short notice    \* → Diagram 2, page 18

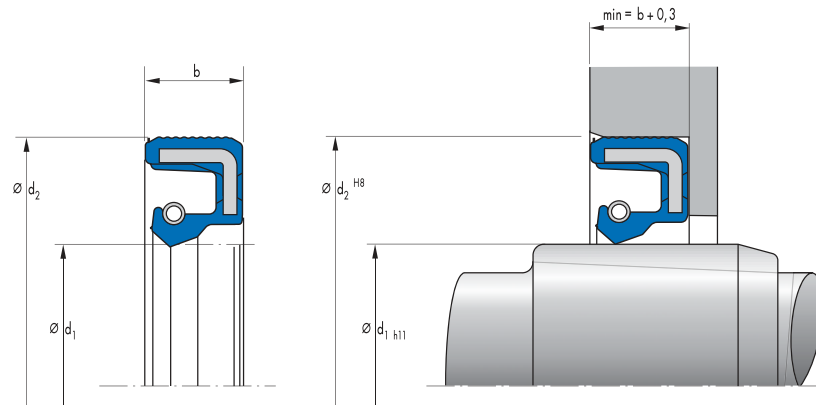


| d <sub>1</sub> | d <sub>2</sub> | b     | DIN 3761 | Outer surface | Pressure       | Material   | Type     | Article No. |   |
|----------------|----------------|-------|----------|---------------|----------------|------------|----------|-------------|---|
| 220,00         | 250,00         | 15,00 | A        | grooved       | 0,02           | 72 NBR 902 | BAUX7    | 49027702    | ● |
| 220,00         | 250,00         | 16,00 | BS       | metal         | 0,05           | 72 NBR 902 | B1SL     | 21153       | ● |
| 220,00         | 270,00         | 15,00 | C        | metal         | 0,05           | 72 NBR 902 | B2       | 23714       | ● |
| 225,00         | 250,00         | 16,00 | C        | metal         | 0,05           | 72 NBR 902 | B2       | 22834       | ● |
| 225,00         | 270,00         | 16,00 | C        | metal         | 0,05           | 72 NBR 902 | B2       | 23715       | ● |
| 230,00         | 250,00         | 8,00  | A        | smooth        | un-pressurised | 72 NBR 902 | BAOF     | 316204      | ● |
| 230,00         | 255,00         | 10,00 | B        | metal         | 0,05           | 72 NBR 902 | B1       | 20441       | ● |
| 230,00         | 255,00         | 15,00 | A        | smooth        | 0,05           | 72 NBR 902 | BAUX2    | 49020472    | ● |
| 230,00         | 260,00         | 15,00 | A        | smooth        | 0,05           | 72 NBR 902 | BA       | 14221       | ● |
| 230,00         | 260,00         | 15,00 | B        | metal         | 0,05           | 72 NBR 902 | B1       | 20859       | ● |
| 230,00         | 260,00         | 15,00 | C        | metal         | 0,05           | 72 NBR 902 | B2       | 2555        | ● |
| 230,00         | 260,00         | 15,00 | AS       | smooth        | 0,05           | 72 NBR 902 | BASL     | 28250       | ● |
| 230,00         | 260,00         | 15,00 | A        | grooved       | 0,05           | 75 FKM 585 | BAUMX7   | 412593      | ● |
| 230,00         | 260,00         | 15,00 | AS       | grooved       | 0,05           | 75 FKM 585 | BAUMSLX7 | 520231      | ● |
| 230,00         | 260,00         | 15,00 | C        | metal         | 0,05           | 75 FKM 595 | B2       | 83032       | ○ |
| 230,00         | 270,00         | 15,00 | C        | metal         | 0,05           | 72 NBR 902 | B2       | 23718       | ● |
| 230,00         | 270,00         | 16,00 | B        | metal         | 0,05           | 72 NBR 902 | B1U      | 20446       | ● |
| 230,00         | 280,00         | 16,00 | C        | metal         | 0,05           | 72 NBR 902 | B2       | 23719       | ● |
| 235,00         | 270,00         | 16,00 | C        | metal         | 0,05           | 72 NBR 902 | B2U      | 23720       | ● |
| 240,00         | 270,00         | 8,50  | AS       | smooth        | *              | 72 NBR 902 | BABSL    | 412661      | ● |
| 240,00         | 270,00         | 8,50  | AS       | smooth        | *              | 75 FKM 595 | BABSL    | 430275      | ● |
| 240,00         | 270,00         | 15,00 | B        | metal         | 0,05           | 72 NBR 902 | B1       | 27251       | ● |
| 240,00         | 270,00         | 15,00 | A        | smooth        | 0,05           | 75 FKM 585 | BAUM     | 414150      | ● |
| 240,00         | 270,00         | 15,00 | CS       | metal         | 0,05           | 72 NBR 902 | B2USL    | 478504      | ● |
| 240,00         | 270,00         | 15,00 | C        | metal         | 0,05           | 72 NBR 902 | B2U      | 478505      | ● |
| 240,00         | 270,00         | 15,00 | AS       | smooth        | 0,05           | 72 NBR 902 | BAUSLX2  | 478705      | ● |
| 240,00         | 270,00         | 15,00 | A        | smooth        | 0,05           | 72 NBR 902 | BAUX2    | 478706      | ○ |
| 240,00         | 270,00         | 15,00 | AS       | grooved       | 0,05           | 75 FKM 585 | BAUMSLX7 | 520694      | ● |
| 240,00         | 270,00         | 15,00 | C        | metal         | 0,05           | 75 FKM 585 | B2U      | 67082       | ○ |
| 240,00         | 270,00         | 15,00 | A        | smooth        | 0,05           | 72 NBR 902 | BAU      | 9592        | ● |
| 240,00         | 280,00         | 16,00 | C        | metal         | 0,05           | 72 NBR 902 | B2       | 23722       | ● |
| 240,00         | 280,00         | 16,00 | C        | metal         | 0,05           | 75 FKM 585 | B2       | 455906      | ○ |
| 240,00         | 290,00         | 16,00 | C        | metal         | 0,05           | 72 NBR 902 | B2       | 23723       | ● |
| 245,00         | 270,00         | 16,00 | C        | metal         | 0,05           | 72 NBR 902 | B2U      | 23708       | ● |
| 250,00         | 280,00         | 15,00 | B        | metal         | 0,05           | 72 NBR 902 | B1       | 12086       | ● |
| 250,00         | 280,00         | 15,00 | A        | smooth        | 0,05           | 75 FKM 585 | BAUM     | 142223      | ○ |

● Available from stock ○ On request: Tool is available, delivery at short notice \* → Diagram 2, page 18

| d <sub>1</sub> | d <sub>2</sub> | b     | DIN 3761 | Outer surface | Pressure | Material   | Type     | Article No. |   |
|----------------|----------------|-------|----------|---------------|----------|------------|----------|-------------|---|
| 250,00         | 280,00         | 15,00 | C        | metal         | 0,05     | 72 NBR 902 | B2       | 2563        | ● |
| 250,00         | 280,00         | 15,00 | C        | metal         | 0,05     | 75 FKM 585 | B2       | 330565      | ○ |
| 250,00         | 280,00         | 15,00 | A        | smooth        | 0,05     | 72 NBR 902 | BA       | 38350       | ● |
| 250,00         | 280,00         | 15,00 | CS       | metal         | 0,05     | 72 NBR 902 | B2SL     | 478501      | ● |
| 250,00         | 280,00         | 15,00 | C        | metal         | 0,05     | 72 NBR 902 | B2U      | 478503      | ● |
| 250,00         | 280,00         | 15,00 | AS       | smooth        | 0,05     | 72 NBR 902 | BAUSLX2  | 478708      | ● |
| 250,00         | 280,00         | 15,00 | A        | grooved       | 0,05     | 75 FKM 585 | BAUMX7   | 49035578    | ○ |
| 250,00         | 280,00         | 15,00 | AS       | grooved       | 0,05     | 75 FKM 585 | BAUMSLX7 | 520695      | ● |
| 250,00         | 280,00         | 16,00 | C        | metal         | 0,05     | 72 NBR 902 | B2       | 23725       | ● |
| 250,00         | 290,00         | 16,00 | C        | metal         | 0,05     | 72 NBR 902 | B2       | 23726       | ● |
| 255,00         | 290,00         | 12,00 | A        | smooth        | 0,05     | 72 NBR 902 | BAU      | 303665      | ● |
| 255,00         | 290,00         | 16,00 | C        | metal         | 0,05     | 72 NBR 902 | B2U      | 23727       | ● |
| 260,00         | 280,00         | 10,00 | AS       | smooth        | *        | 72 NBR 902 | BABSL    | 407571      | ● |
| 260,00         | 280,00         | 10,00 | AS       | smooth        | *        | 75 FKM 595 | BABSL    | 520246      | ● |
| 260,00         | 280,00         | 16,00 | C        | metal         | 0,05     | 72 NBR 902 | B2       | 25363       | ● |
| 260,00         | 290,00         | 16,00 | C        | metal         | 0,05     | 72 NBR 902 | B2U      | 23728       | ● |
| 260,00         | 290,00         | 16,00 | C        | metal         | 0,05     | 75 FKM 595 | B2       | 301481      | ○ |
| 260,00         | 300,00         | 20,00 | B        | metal         | 0,05     | 72 NBR 902 | B1U      | 2564        | ● |
| 260,00         | 300,00         | 20,00 | C        | metal         | 0,05     | 72 NBR 902 | B2       | 31706       | ● |
| 260,00         | 300,00         | 20,00 | AS       | grooved       | 0,05     | 75 FKM 585 | BAUMSLX7 | 520696      | ● |
| 260,00         | 310,00         | 16,00 | C        | metal         | 0,05     | 72 NBR 902 | B2U      | 23729       | ● |
| 265,00         | 290,00         | 16,00 | C        | metal         | 0,05     | 72 NBR 902 | B2U      | 23746       | ● |
| 265,00         | 290,00         | 16,00 | C        | metal         | 0,05     | 75 FKM 595 | B2       | 387240      | ○ |
| 265,00         | 310,00         | 16,00 | C        | metal         | 0,05     | 72 NBR 902 | B2       | 23731       | ● |
| 270,00         | 300,00         | 15,00 | A        | smooth        | 0,05     | 75 FKM 585 | BAUM     | 333308      | ○ |
| 270,00         | 310,00         | 16,00 | CS       | metal         | 0,05     | 72 NBR 902 | B2USL    | 150423      | ● |
| 270,00         | 310,00         | 16,00 | C        | metal         | 0,05     | 72 NBR 902 | B2       | 23733       | ● |
| 270,00         | 310,00         | 16,00 | A        | smooth        | 0,05     | 75 FKM 585 | BAUM     | 335347      | ○ |
| 270,00         | 310,00         | 16,00 | B        | metal         | 0,05     | 72 NBR 902 | B1       | 359071      | ● |
| 270,00         | 310,00         | 16,00 | C        | metal         | 0,05     | 75 FKM 595 | B2       | 376654      | ○ |
| 275,00         | 310,00         | 16,00 | C        | metal         | 0,05     | 72 NBR 902 | B2       | 23734       | ● |
| 280,00         | 310,00         | 16,00 | C        | metal         | 0,05     | 72 NBR 902 | B2       | 23736       | ● |
| 280,00         | 320,00         | 20,00 | B        | metal         | 0,05     | 72 NBR 902 | B1       | 2526        | ● |
| 280,00         | 320,00         | 20,00 | C        | metal         | 0,05     | 72 NBR 902 | B2       | 26356       | ● |
| 280,00         | 320,00         | 20,00 | CS       | metal         | 0,05     | 72 NBR 902 | B2USL    | 304607      | ● |
| 280,00         | 320,00         | 20,00 | C        | metal         | 0,05     | 75 FKM 595 | B2       | 308782      | ○ |
| 280,00         | 320,00         | 20,00 | AS       | grooved       | 0,05     | 75 FKM 585 | BAUMSLX7 | 520697      | ● |
| 285,00         | 310,00         | 16,00 | C        | metal         | 0,05     | 72 NBR 902 | B2U      | 23710       | ● |
| 285,00         | 325,00         | 16,00 | A        | smooth        | 0,05     | 72 NBR 902 | BA       | 9600        | ● |
| 290,00         | 330,00         | 16,00 | B        | metal         | 0,05     | 72 NBR 902 | B1USL    | 20449       | ● |
| 290,00         | 330,00         | 18,00 | C        | metal         | 0,05     | 72 NBR 902 | B2U      | 31476       | ● |
| 300,00         | 332,00         | 16,00 | C        | metal         | 0,05     | 72 NBR 902 | B2       | 23750       | ● |
| 300,00         | 335,00         | 18,00 | C        | metal         | 0,05     | 72 NBR 902 | B2       | 23745       | ● |
| 300,00         | 340,00         | 16,00 | AS       | grooved       | 0,05     | 72 NBR 902 | BAUSLX7  | 346539      | ● |
| 300,00         | 340,00         | 16,00 | A        | smooth        | 0,05     | 75 FKM 585 | BAUM     | 530862      | ○ |
| 300,00         | 340,00         | 16,00 | A        | smooth        | 0,05     | 72 NBR 902 | BA       | 9603        | ● |
| 300,00         | 340,00         | 20,00 | B        | metal         | 0,05     | 72 NBR 902 | B1       | 13450       | ● |
| 300,00         | 340,00         | 20,00 | C        | metal         | 0,05     | 72 NBR 902 | B2       | 2528        | ● |
| 300,00         | 340,00         | 20,00 | AS       | smooth        | *        | 72 NBR 902 | BABSL    | 421276      | ● |
| 300,00         | 340,00         | 20,00 | C        | metal         | 0,05     | 75 FKM 595 | B2       | 435428      | ○ |

● Available from stock ○ On request: Tool is available, delivery at short notice \* → Diagram 2, page 18



| d <sub>1</sub> | d <sub>2</sub> | b     | DIN 3761 | Outer surface | Pressure       | Material   | Type     | Article No. |   |
|----------------|----------------|-------|----------|---------------|----------------|------------|----------|-------------|---|
| 300,00         | 340,00         | 20,00 | AS       | grooved       | 0,05           | 75 FKM 585 | BAUMSLX7 | 520698      | ● |
| 310,00         | 350,00         | 18,00 | C        | metal         | 0,05           | 72 NBR 902 | B2       | 25369       | ● |
| 310,00         | 350,00         | 18,00 | C        | metal         | 0,05           | 75 FKM 595 | B2       | 389112      | ○ |
| 315,00         | 355,00         | 18,00 | C        | metal         | 0,05           | 72 NBR 902 | B2       | 23737       | ● |
| 315,00         | 365,00         | 20,00 | C        | metal         | 0,05           | 75 FKM 595 | B2U      | 126441      | ○ |
| 315,00         | 365,00         | 20,00 | C        | metal         | 0,05           | 72 NBR 902 | B2       | 23531       | ● |
| 320,00         | 340,00         | 10,00 | B        | metal         | un-pressurised | 72 NBR 902 | B1OF     | 429045      | ○ |
| 320,00         | 350,00         | 18,00 | C        | metal         | 0,05           | 72 NBR 902 | B2       | 34939       | ● |
| 320,00         | 360,00         | 18,00 | C        | metal         | 0,05           | 72 NBR 902 | B2       | 23738       | ● |
| 320,00         | 360,00         | 18,00 | C        | metal         | 0,05           | 75 FKM 595 | B2       | 424128      | ○ |
| 320,00         | 360,00         | 20,00 | B        | metal         | 0,05           | 72 NBR 902 | B1       | 17866       | ● |
| 320,00         | 360,00         | 20,00 | C        | metal         | 0,05           | 72 NBR 902 | B2       | 2530        | ● |
| 320,00         | 360,00         | 20,00 | A        | smooth        | 0,05           | 75 FKM 595 | BAUM     | 324209      | ○ |
| 320,00         | 360,00         | 20,00 | C        | metal         | 0,05           | 75 FKM 595 | B2       | 459247      | ○ |
| 320,00         | 360,00         | 20,00 | AS       | grooved       | 0,05           | 75 FKM 585 | BAUMSLX7 | 520699      | ● |
| 325,00         | 365,00         | 16,00 | C        | metal         | 0,05           | 72 NBR 902 | B2       | 23760       | ● |
| 330,00         | 370,00         | 18,00 | C        | metal         | 0,05           | 72 NBR 902 | B2       | 23739       | ● |
| 335,00         | 375,00         | 18,00 | A        | smooth        | 0,05           | 72 NBR 902 | BA       | 9608        | ● |
| 340,00         | 372,00         | 16,00 | C        | metal         | 0,05           | 72 NBR 902 | B2       | 23754       | ● |
| 340,00         | 380,00         | 18,00 | C        | metal         | 0,05           | 72 NBR 902 | B2       | 23740       | ● |
| 340,00         | 380,00         | 20,00 | C        | metal         | 0,05           | 75 FKM 585 | B2       | 126482      | ○ |
| 340,00         | 380,00         | 20,00 | C        | metal         | 0,05           | 72 NBR 902 | B2       | 2531        | ● |
| 340,00         | 380,00         | 20,00 | B        | metal         | 0,05           | 72 NBR 902 | B1       | 31645       | ● |
| 340,00         | 380,00         | 20,00 | A        | grooved       | 0,05           | 75 FKM 585 | BAUMX7   | 522482      | ○ |
| 340,00         | 380,00         | 20,00 | AS       | grooved       | 0,05           | 75 FKM 585 | BAUMSLX7 | 523042      | ● |
| 350,00         | 380,00         | 16,00 | B        | metal         | 0,05           | 72 NBR 902 | B1       | 20447       | ● |
| 350,00         | 390,00         | 18,00 | C        | metal         | 0,05           | 72 NBR 902 | B2       | 23741       | ● |
| 360,00         | 392,00         | 20,00 | C        | metal         | 0,05           | 72 NBR 902 | B2       | 25510       | ● |
| 360,00         | 400,00         | 18,00 | C        | metal         | 0,05           | 72 NBR 902 | B2       | 23711       | ● |
| 360,00         | 400,00         | 20,00 | C        | metal         | 0,05           | 75 FKM 595 | B2       | 102925      | ○ |
| 360,00         | 400,00         | 20,00 | B        | metal         | 0,05           | 72 NBR 902 | B1       | 2533        | ● |
| 360,00         | 400,00         | 20,00 | C        | metal         | 0,05           | 72 NBR 902 | B2       | 31739       | ● |
| 365,00         | 405,00         | 18,00 | C        | metal         | 0,05           | 72 NBR 902 | B2       | 23749       | ● |
| 380,00         | 420,00         | 20,00 | C        | metal         | 0,05           | 75 FKM 585 | B2       | 117105      | ○ |
| 380,00         | 420,00         | 20,00 | C        | metal         | 0,05           | 72 NBR 902 | B2       | 2535        | ● |
| 380,00         | 420,00         | 20,00 | B        | metal         | 0,05           | 72 NBR 902 | B1       | 31667       | ● |

● Available from stock ○ On request: Tool is available, delivery at short notice \* → Diagram 2, page 18

| d <sub>1</sub> | d <sub>2</sub> | b     | DIN 3761 | Outer surface | Pressure | Material   | Type  | Article No. |   |
|----------------|----------------|-------|----------|---------------|----------|------------|-------|-------------|---|
| 380,00         | 430,00         | 19,00 | C        | metal         | 0,05     | 72 NBR 902 | B2    | 25375       | ● |
| 390,00         | 430,00         | 18,00 | C        | metal         | 0,05     | 72 NBR 902 | B2    | 3565        | ● |
| 394,00         | 420,00         | 16,00 | AS       | smooth        | 0,05     | 72 NBR 902 | BASL  | 528215      | ● |
| 394,00         | 420,00         | 16,00 | A        | smooth        | 0,05     | 72 NBR 902 | BA    | 9611        | ● |
| 395,00         | 430,00         | 18,00 | C        | metal         | 0,05     | 72 NBR 902 | B2    | 23743       | ● |
| 400,00         | 425,00         | 15,00 | A        | smooth        | 0,05     | 72 NBR 902 | BA    | 355085      | ● |
| 400,00         | 440,00         | 20,00 | C        | metal         | 0,05     | 72 NBR 902 | B2    | 25377       | ● |
| 400,00         | 440,00         | 20,00 | B        | metal         | 0,05     | 72 NBR 902 | B1    | 31653       | ● |
| 400,00         | 440,00         | 20,00 | C        | metal         | 0,05     | 75 FKM 595 | B2    | 437815      | ○ |
| 400,00         | 450,00         | 20,00 | A        | smooth        | 0,05     | 72 NBR 902 | BA    | 10569       | ● |
| 420,00         | 460,00         | 20,00 | C        | metal         | 0,05     | 72 NBR 902 | B2    | 23759       | ● |
| 420,00         | 460,00         | 20,00 | B        | metal         | 0,05     | 72 NBR 902 | B1    | 31668       | ● |
| 420,00         | 460,00         | 20,00 | A        | smooth        | 0,05     | 75 FKM 585 | BAUM  | 346641      | ○ |
| 420,00         | 460,00         | 20,00 | C        | metal         | 0,05     | 75 FKM 595 | B2    | 428983      | ○ |
| 420,00         | 460,00         | 20,00 | C        | metal         | 0,05     | 75 FKM 595 | B2    | 49011887    | ● |
| 440,00         | 470,00         | 20,00 | C        | metal         | 0,05     | 72 NBR 902 | B2    | 23748       | ● |
| 440,00         | 480,00         | 20,00 | B        | metal         | 0,05     | 72 NBR 902 | B1    | 2536        | ● |
| 440,00         | 480,00         | 20,00 | C        | metal         | 0,05     | 72 NBR 902 | B2    | 31751       | ● |
| 440,00         | 480,00         | 20,00 | B        | metal         | 0,05     | 75 FKM 595 | B1    | 429204      | ○ |
| 448,00         | 480,00         | 15,00 | A        | smooth        | 0,05     | 75 FKM 585 | BAUM  | 451881      | ○ |
| 460,00         | 500,00         | 20,00 | C        | metal         | 0,05     | 72 NBR 902 | B2    | 2539        | ● |
| 460,00         | 500,00         | 20,00 | B        | metal         | 0,05     | 72 NBR 902 | B1    | 31700       | ● |
| 460,00         | 500,00         | 20,00 | B        | metal         | 0,05     | 75 FKM 585 | B1    | 477548      | ○ |
| 467,00         | 510,00         | 20,00 | C        | metal         | 0,05     | 72 NBR 902 | B2    | 23753       | ● |
| 480,00         | 520,00         | 20,00 | A        | smooth        | 0,05     | 72 NBR 902 | BA    | 10579       | ● |
| 480,00         | 520,00         | 20,00 | C        | metal         | 0,05     | 72 NBR 902 | B2    | 19783       | ● |
| 480,00         | 520,00         | 20,00 | B        | metal         | 0,05     | 72 NBR 902 | B1    | 31702       | ● |
| 480,00         | 520,00         | 20,00 | A        | smooth        | 0,05     | 75 FKM 595 | BAUM  | 49008731    | ○ |
| 500,00         | 540,00         | 20,00 | C        | metal         | 0,05     | 72 NBR 902 | B2    | 2544        | ● |
| 500,00         | 540,00         | 20,00 | B        | metal         | 0,05     | 72 NBR 902 | B1    | 31704       | ● |
| 500,00         | 540,00         | 20,00 | B        | metal         | 0,05     | 75 FKM 595 | B1    | 430099      | ○ |
| 500,00         | 550,00         | 20,00 | A        | smooth        | 0,05     | 80 NBR 709 | BAU   | 10580       | ● |
| 530,00         | 580,00         | 20,00 | C        | metal         | 0,05     | 72 NBR 902 | B2    | 105909      | ○ |
| 530,00         | 580,00         | 20,00 | A        | smooth        | 0,05     | 75 FKM 585 | BAUM  | 49013753    | ○ |
| 540,00         | 585,00         | 30,00 | A        | smooth        | 0,05     | 72 NBR 902 | BADUO | 319550      | ○ |
| 560,00         | 610,00         | 20,00 | A        | smooth        | 0,05     | 80 NBR 709 | BA    | 10582       | ● |
| 560,00         | 610,00         | 20,00 | A        | smooth        | 0,05     | 75 FKM 595 | BAUM  | 425242      | ○ |
| 600,00         | 640,00         | 20,00 | C        | metal         | 0,05     | 80 NBR 709 | B2    | 23692       | ● |
| 600,00         | 640,00         | 20,00 | A        | smooth        | 0,05     | 72 NBR 902 | BA    | 307130      | ● |
| 630,00         | 670,00         | 20,00 | B        | metal         | 0,05     | 75 FKM 595 | B1USL | 432655      | ○ |
| 640,00         | 680,00         | 20,00 | C        | metal         | 0,05     | 72 NBR 902 | B2U   | 387666      | ● |
| 650,00         | 690,00         | 20,00 | C        | metal         | 0,05     | 72 NBR 902 | B2    | 88794       | ○ |
| 670,00         | 710,00         | 20,00 | C        | metal         | 0,05     | 72 NBR 902 | B2    | 150313      | ○ |
| 680,00         | 730,00         | 20,00 | C        | metal         | 0,05     | 75 FKM 595 | B2    | 435412      | ○ |
| 710,00         | 760,00         | 20,00 | C        | metal         | 0,05     | 80 NBR 709 | B2    | 23684       | ● |
| 760,00         | 800,00         | 20,00 | C        | metal         | 0,05     | 72 NBR 902 | B2U   | 388786      | ○ |
| 760,00         | 800,00         | 20,00 | A        | smooth        | 0,05     | 75 FKM 585 | BAUM  | 437124      | ○ |
| 799,00         | 860,00         | 25,00 | C        | metal         | 0,05     | 72 NBR 902 | B2    | 125558      | ○ |
| 810,00         | 850,00         | 20,00 | A        | smooth        | 0,05     | 75 FKM 585 | BAUM  | 436090      | ○ |
| 930,00         | 990,00         | 25,00 | C        | metal         | 0,05     | 72 NBR 902 | B2    | 306488      | ○ |

● Available from stock    ○ On request: Tool is available, delivery at short notice    \* → Diagram 2, page 18